

Tonic Decorative Front

HEAT & GLO

No one builds a better fire

Model: SLR-C, SLR-D

Installation Instructions



Leave this manual with party responsible for use and operation.

CAUTION! Risk of Cuts or Abrasions. Wear protective gloves and safety glasses during installation. Sheet metal edges are sharp.

DANGER



HOT GLASS WILL CAUSE BURNS.

DO NOT TOUCH GLASS UNTIL COOLED.

NEVER ALLOW CHILDREN TO TOUCH GLASS.

A barrier designed to reduce the risk of burns from the hot viewing glass is provided with this appliance and shall be installed for the protection of children and other at-risk individuals.

WARNING! Risk of Fire! Combustible materials MUST NOT overlap or be placed under a decorative front.

CONTENTS:

- Decorative Front Assembly
(Mesh brackets affixed to back side for shipment)
- Shoulder Bolts (4)
- Mesh screen assembly

Verify and remove contents from packaging before beginning installation.

Installation Instructions

1. Install the four shoulder bolts, two per side, as shown in Figure 1.

Note: The bolts should be threaded in 2 full turns only.

2. Remove mesh brackets from back side of decorative front assembly. Discard screws.
3. Align mesh brackets onto the threaded section of the shoulder bolts on each side of the fireplace and slide the bracket down as shown in Figure 2.
4. Tighten bolts securely on each side of fireplace.

5. Place lower section of framed mesh assembly into appliance opening. Center the assembly between the shoulder bolts and hang it on to the brackets as shown in Figure 3.

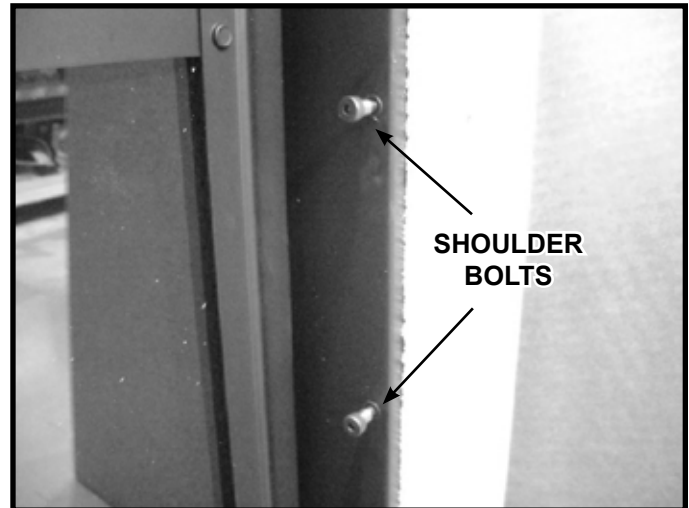


Figure 1. Location of Shoulder Bolts

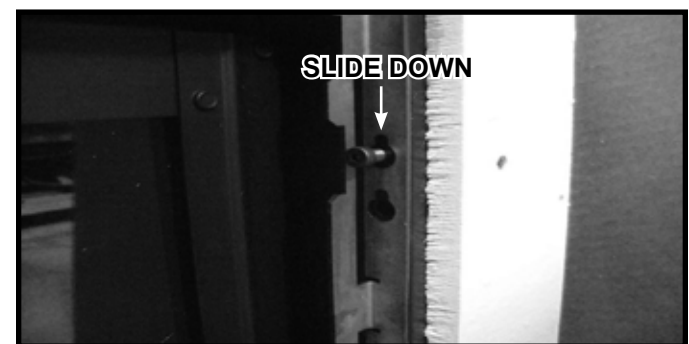


Figure 2. Bracket Engagement



Figure 3. Mesh Installed.

6. Install the door into the fireplace opening. Note the orientation of the door brackets. The slots in the bracket will only line up with the shoulder bolts in the fireplace if the door is installed correctly. See figure 4.
7. Push the front toward the fireplace, ensuring it fits tightly to the finish material.



Figure 4. Bracket Engagement with Bolts

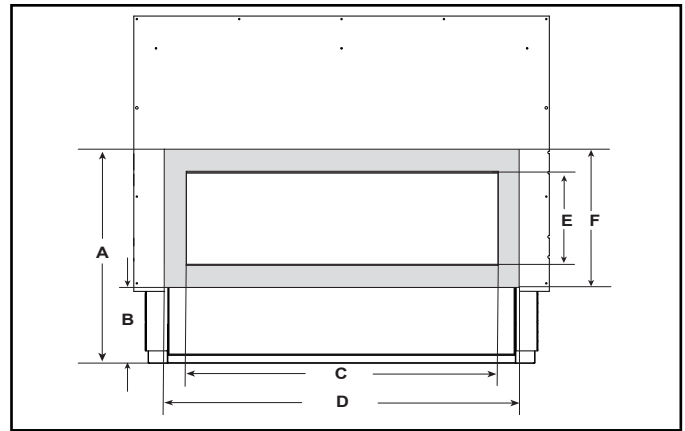


Figure 5. Dimensions of Tonic Decorative Front.

Table 1. Dimensions of Tonic Decorative Front (TON-SLR-**)

DIMENSION		TON-SLR-**	
A	Top of decorative front to bottom of appliance.	26-3/8 in.	670 mm
B	Bottom of decorative front to bottom of appliance.	6-7/8 in.	175 mm
C	Inside dimension of decorative front (width).	39 in.	991 mm
D	Outside dimension of decorative front (width).	44-1/2 in.	1130 mm
E	Inside dimension decorative front (height).	13 in.	330 mm
F	Outside dimension of decorative front (height).	19-1/2 in.	495 mm

Cleaning Instructions for Fronts

Use a microfiber cloth and Windex® Original Glass Cleaner or 03M003 Stove Bright® Glass Cleaner to clean the front immediately after installation to remove acids deposited by the installer or technician. Spray the cleaner onto the microfiber cloth and carefully wipe the entire surface. The front should be cleaned in this manner annually by the homeowner to remove fingerprints or other contaminants. Once oxidation of the paint pigment has occurred, cleaning will not restore the original color.

Please contact your Heat & Glo dealer with any questions or concerns.

For the location of your nearest Heat & Glo dealer, please visit www.heatnglo.com.

Heat & Glo, a brand of Hearth & Home Technologies
 7571 215th Street West, Lakeville, MN 55044
www.heatnglo.com