



heatilator
The first name in fireplaces

Heatilator Inc.
 1915 W. Saunders Street
 Mt. Pleasant, IA 52641
 a HON INDUSTRIES company

G340 & GC340 SERIES (G340, G340L, GC340, GC340L) (G340E, G340LE, GC340E, GC340LE) INSTALLATION & OPERATING INSTRUCTIONS FOR RESIDENTIAL USE

I. LISTINGS AND CODE APPROVALS

These vented decorative gas appliances, G340, G340L, GC340 & GC340L (with standing safety pilot ignition) and G340E, G340LE, GC340E & GC340LE (with electronic direct spark ignition) have been tested in accordance with National Safety Standards (Z21.50b-latest edition), and have been LISTED by Underwriters Laboratories Inc. for installation and operation as described in these Installation & Operating Instructions. Installations must be done by qualified installers only.

Check with your local building code agency before you begin installation to ensure compliance with local codes, including the need for "permits" and follow-up inspections. If any problems are encountered regarding code approvals, or if you wish clarification of any of the instructions contained here, contact your local distributor/dealer, or Customer Relations Department, Heatilator Inc., 1915 W. Saunders Street, Mt. Pleasant, Iowa 52641. HEATILATOR[®] is a registered trademark of Heatilator Inc., a HON INDUSTRIES company.

FOR YOUR SAFETY

WHAT TO DO IF YOU SMELL GAS

- DO NOT TRY TO LIGHT ANY APPLIANCE.
- DO NOT TOUCH ANY ELECTRICAL SWITCH; DO NOT USE ANY PHONE IN YOUR BUILDING.
- IMMEDIATELY CALL YOUR GAS SUPPLIER FROM A NEIGHBOR'S PHONE. FOLLOW THE GAS SUPPLIER'S INSTRUCTIONS.
- IF YOU CANNOT REACH YOUR GAS SUPPLIER, CALL THE FIRE DEPARTMENT.

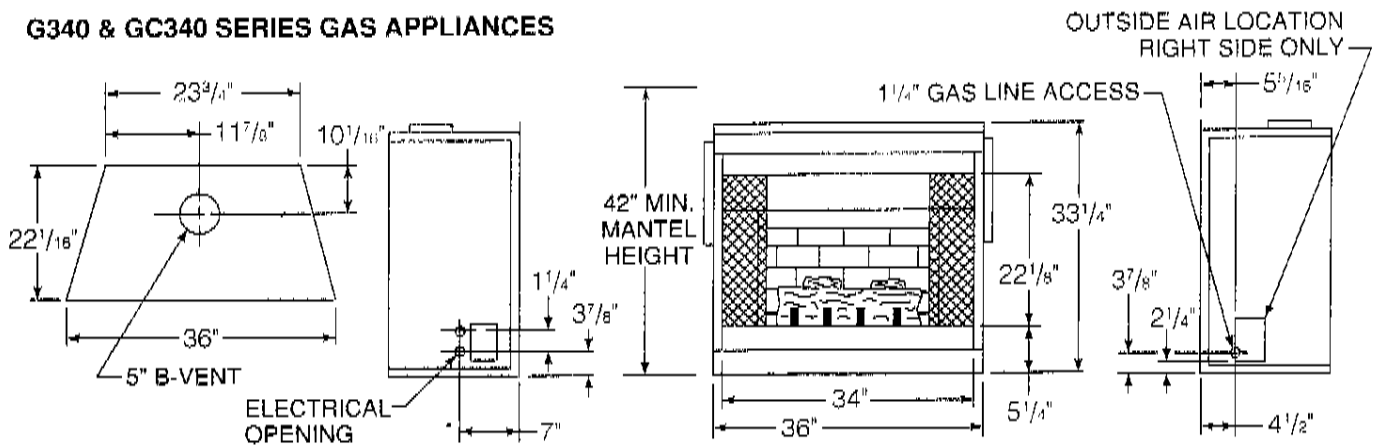
FOR YOUR SAFETY

**DO NOT STORE OR USE
 GASOLINE OR OTHER
 FLAMMABLE VAPORS
 AND LIQUIDS IN THE
 VICINITY OF THIS OR ANY
 OTHER APPLIANCE.**

WARNING

**IMPROPER INSTALLATION, ADJUSTMENT, ALTERATION, SERVICE OR MAINTENANCE CAN
 CAUSE INJURY OR PROPERTY DAMAGE. REFER TO THIS MANUAL. FOR ASSISTANCE OR
 ADDITIONAL INFORMATION CONSULT A QUALIFIED INSTALLER, SERVICE AGENCY OR THE
 GAS SUPPLIER.**

Do not use this appliance if any part has been under water. Immediately call a qualified service technician to inspect the appliance and to replace any part of the control system and any gas control which has been under water.

G340 & GC340 SERIES GAS APPLIANCES**Figure 1**

The table below shows only those components which may be safely used with these decorative gas appliances.

Catalog Number	Description
GD1	Glass Doors - Polished Brass
TK5	Trim Kit - Polished Brass
FK10	Fan Kit
AK14	Air Kit - Outside Air
ID4	Insulated Duct/Outside Air
UD4	Uninsulated Duct/Outside Air
BC10	Motor Speed Control
RC4	Remote Burner Control - Standing Pilot
RC5	Remote Burner Control - Electronic Ignition

NOTE: An optional thermally actuated vent damper may be purchased from your B-Vent supplier to help reduce heat loss through the flue area while the appliance is not in operation.

II. GENERAL INFORMATION

This installation must conform with local codes or, in the absence of local codes, with the National Fuel Gas Code, ANSI Z223.1-latest edition.

INSTALLATION AND REPAIR SHOULD BE DONE BY A QUALIFIED SERVICE PERSON. THE APPLIANCE SHOULD BE INSPECTED BEFORE USE AND AT LEAST ANNUALLY BY A QUALIFIED SERVICE PERSON. MORE FREQUENT CLEANING MAY BE REQUIRED DUE TO EXCESSIVE LINT FROM CARPETING, BEDDING MATERIAL, ETC. IT IS IMPERATIVE THAT CONTROL COMPARTMENTS, BURNERS AND CIRCULATING AIR PASSAGeways OF THE APPLIANCE BE KEPT CLEAN.

Provide adequate clearances around the air openings into the combustion chamber and adequate accessibility clearances for servicing and proper operation.

Minimum clearances to combustibles are: Top of unit 0", Floor 0", Back 1/2", Sides 1/2", Ceiling 30".

Minimum mantel height: 42" from base of appliance.

The appliance must be installed on a flat, solid, continuous surface (i.e. wood, metal, concrete).

Provide for adequate combustion and ventilation air.

For Natural Gas, the minimum inlet gas supply pressure is 4.0 inches water column, and the maximum inlet gas pressure is 11.0 inches water column, for the purpose of input adjustment. Input rate is 23,500 BTU/HR. For Propane Gas, the water column pressure must be at 11.0 inches minimum to 14.0 inches maximum.

A 1/8" NPT plugged tapping is provided on the gas control, near the outlet to the Main Burner immediately upstream of the gas supply connection to the appliance, for a test gage connection.

For high elevation, refer to ANSI Z223.1-latest edition, Appendix F, for resizing orifice.

DUE TO HIGH TEMPERATURES, THE APPLIANCE SHOULD BE LOCATED OUT OF TRAFFIC AND AWAY FROM FURNITURE AND DRAPERIES.

WARNING

THIS APPLIANCE MAY ONLY USE A B-VENT SYSTEM AND MUST NOT BE CONNECTED TO A CHIMNEY FLUE SERVICING A SEPARATE SOLID FUEL BURNING APPLIANCE.

III. GAS APPLIANCE LOCATIONS, SPACE AND CONSTRUCTION REQUIREMENTS

A G340 or GC340 Series gas appliance can be installed in a wide variety of ways and will fit nearly any room layout. It may be installed in a recessed position, framed out into the room, or across a corner. The unit may be installed at a height level with the floor, or it can be raised up from the floor to enhance its visual impact. Figure 2 illustrates a variety of ways the appliance may be located in a room. Proper clearances to combustible sidewalls, as illustrated in Figure 2, must be maintained.

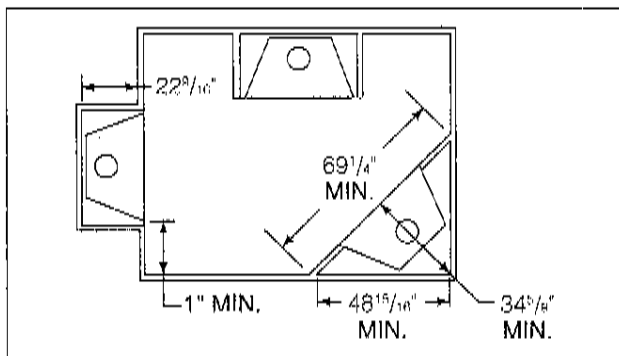


Figure 2

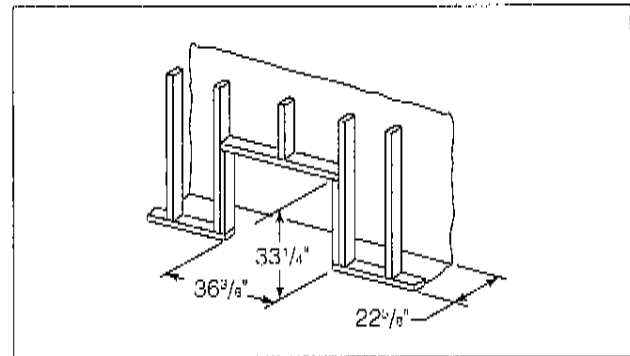


Figure 3

IV. STEP-BY-STEP INSTALLATION

STEP 1 - FRAMING

The appliance will fit a framed opening of 36³/₈" wide x 33¹/₄" tall. The cavity depth must be no less than 22³/₁₆". See Figure 3.

STEP 2 - GAS LINE

Install the gas line piping up to the right side of the appliance. For a gas line connection of 25' long, it is recommended you use 1/2" pipe, then reduce to 3/8" pipe at the appliance. A separate shut-off gas valve (supplied) should always be installed. See Figure 4. The manual shut-off valve may be attached to the gas valve instead of the gas supply line if preferred.

STEP 3 - VENTING

This appliance requires the use of a minimum of 5" B-1 vent for operation and must be terminated above the roof line. Follow all B-1 vent requirements and installation instructions. The minimum height of vent installation must be 9' from the top of the appliance. The maximum horizontal offset must not exceed 50% of the vent height above the appliance. Example: If 12' of rise to the vent top from the appliance top, you may run horizontally up to 6'. Always try to maintain a minimum horizontal distance to avoid overly restrictive venting.

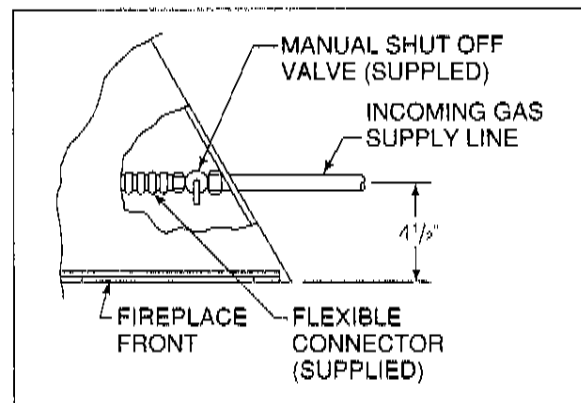


Figure 4

NOTE: Any horizontal run of vent must be level or have a 1/4" rise in 1 ft. of run towards the termination. Never allow the vent to run down. This will cause high temperatures and may present the possibility of a fire hazard.

NOTE: This appliance cannot be power vented or side wall vented. It must vent upward only through a roof or chase in accordance to building codes. In cold climate regions it is recommended to have all B-Vent enclosed in an insulated chase.

STEP 4 - OUTSIDE AIR KIT

If an optional Outside Air Kit (AK14) is to be used, framing should be done at this time. Follow the Installation Instructions supplied with the Air Kit. If an Outside Air Kit is to be purchased, substitute the AK 14 bracket with the supplemental bracket provided in the installation bag, and discard the AK14 bracket. See Figure 5. The maximum length of the Air Duct (ID4 or UD4) is 12', with a maximum 8' vertical rise.

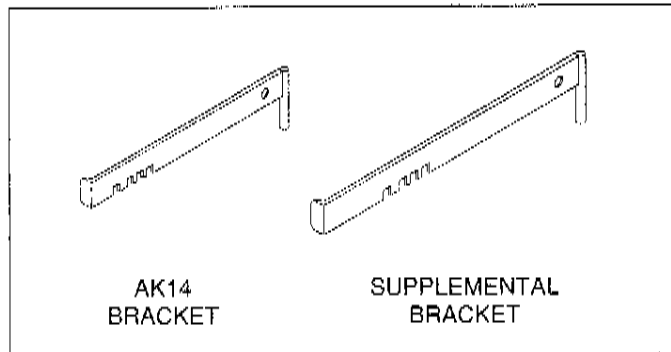


Figure 5

STEP 5 - POSITION

Slide the appliance into position and secure in place to the framing with the nailing flanges on the sides of the face.

STEP 6 - GAS LINE CONNECTION

Connect the gas line to the appliance manual valve inlet, using 1/2" pipe. To ease in installation, a listed flexible connector and manual shut-off valve are supplied. The manual shut-off valve may be connected either directly to the gas line or to the gas valve. Gas connections can be made from outside of the appliance by removing the access panel on the right side. See Figure 1. All connections must be checked for leaks with a soap and water solution.

NOTE: During any pressure testing of the gas supply piping system that exceeds test pressures of 1/2 psig, this appliance and its individual shut-off valve must be disconnected from the piping system. If test pressures equal to or less than 1/2 psig are used in pressure testing the gas supply piping system, this appliance must be isolated from the piping system by closing its individual manual shut-off valve during the testing.

STEP 7 - WIRING

A. ELECTRONIC IGNITION (G340E, G340LE, GC340E, GC340LE)

1. **Code Requirements.** This appliance must be electrically wired and grounded in accordance with local codes or, in the absence of local codes, with National Electric Code ANSI/NFPA 70-latest edition. This appliance is not intended for use with a thermostat.
2. **Appliance Requirements.** This appliance requires a 110V power supply from a remote wall switch to the appliance junction box for operation. A wiring diagram is shown in Figure 6A (page 5).
3. **Optional Accessories Requirements.** Optional accessories may be added now or at a later date, however, wiring should be done now to avoid significant reconstruction. The optional FK10 Fan Kit (GC340E and GC340LE only) requires a separate 110V power supply from a remote wall switch to the appliance junction box for operation. No additional power supplies are required for the Fan Motor Speed Control (BC10) or the Remote Burner Control (RC5). Wiring diagrams are provided with all accessories.

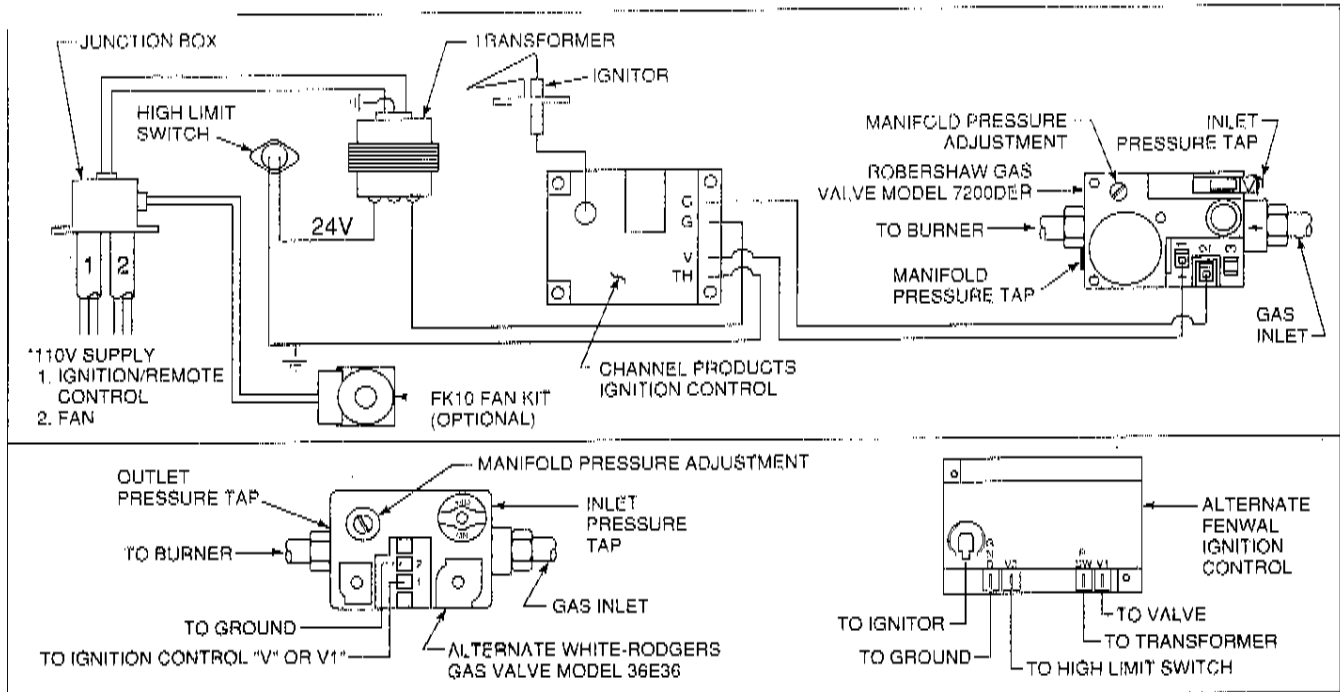


Figure 6A
Electronic Ignition Wiring Diagram

B. STANDING PILOT IGNITION (G340, G340L, GC340, GC340L)

- Code Requirements.** This appliance must be electrically wired and grounded in accordance with local codes or, in the absence of local codes, with National Electric Code ANSI/NFPA 70-latest edition. This appliance is not intended for use with a thermostat.
- Appliance Requirements.** This appliance comes prewired for a remote wall switch. Connect the two wires penetrating the outside of the appliance to each side of an ON/OFF switch. A wiring diagram is shown in Figure 6B.
- Optional Accessories Requirements.** Optional accessories may be added now or at a later date, however, wiring should be done now to avoid significant reconstruction. The optional FK 10 Fan Kit (GC340 and GC340L only) requires a separate 110V power supply from a remote wall switch to the appliance junction box for operation. No additional power supplies are required for the Fan Motor Speed Control (BC10). The Remote Burner Control (RC4) requires a separate 110V power supply directly to the appliance junction box. Wiring diagrams are provided with all accessories.

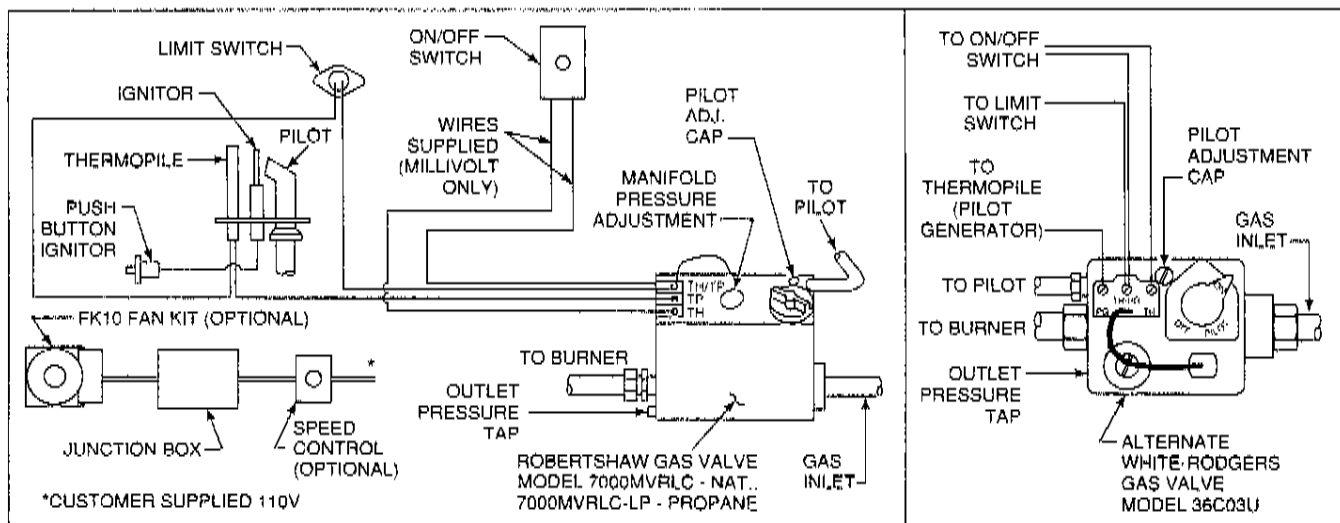


Figure 6B
Standing Pilot Ignition Wiring Diagram

□ STEP 8 - FAN INSTALLATION

To install the optional FK10 Fan Kit in a circulating gas appliance (GC340, GC340L, GC340E or GC340LE) first remove the front access panel as shown in Section V, Figure 8, of these instructions. Plug the fan connector into the junction box and secure the fan assembly to the bottom pan using two screws as shown in Figure 8.

□ STEP 9 - FINISHING

When finishing the face of the appliance, **combustible** material may be brought up to the sides of the appliance, but must never overlap onto the black metal. The black metal may be covered with **non-combustible** material only.

NOTE: You cannot cover any of the air slots in the appliance, as this may create a fire hazard. If a combustible mantel is to be used, a minimum of 42" from the base of the appliance must be maintained.

□ STEP 10 - LOG AND EMBER PLACEMENT

Install the vermiculite and logs as shown in Figure 7 ("A" shows vermiculite, "B" shows logs). Do not pack the vermiculite. Cover only the front portion of the burner and firebox floor.

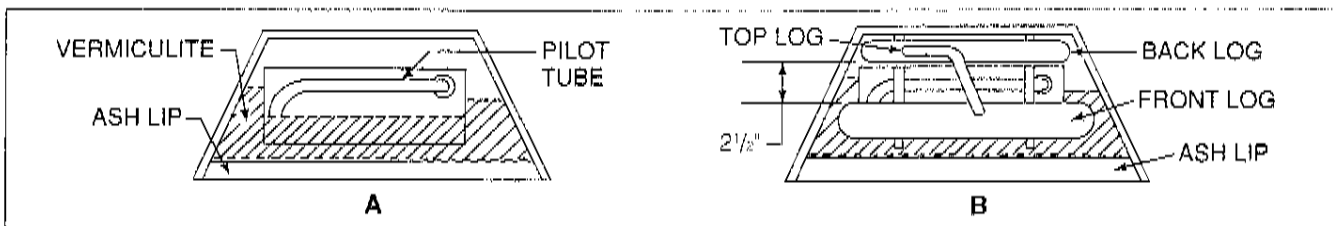


Figure 7

NOTE: A 2 1/2" spacing must be maintained between front and rear logs. The grate will maintain this distance.

V. OPERATING INSTRUCTIONS - ELECTRONIC IGNITION (G340E, G340LE, GC340E, GC340LE)

This gas appliance uses a 24 volt control system, consisting of a Pilot Burner, Thermosensor, Gas Control Valve, Limit Switch and an On/Off Switch.

A. REMOVAL OF FRONT ACCESS (See Figure 8)

Remove the (2) phillips screws. Lift the panel to disengage the pivot pins and pull the panel forward. The glass panel does not require removal for this. To replace the panel, position it over the pivot pins and return the screws to their original position. The panel does not need screws to stay in place.

B. LIGHTING PROCEDURE

Steps 1 - 4 are to be followed for initial start-up and seasonal start-up. Step 5 is sufficient for later starts in-season.

1. Turn the remote wall switch to the "Off" position.
- 2.a. Push gas control lever in and slide lever to the "Off" position (Robertshaw).
- b. Rotate gas control knob to the "Off" position (White-Rodgers).
3. Wait five minutes to allow gas, that may have accumulated in the main burner compartment, to escape.
4. Move gas control to the "On" position.
5. Turn the remote wall switch to the "On" position. This will turn on the main burner.

C. SHUTDOWN PROCEDURE

1. To shut off the main burner, move the remote wall switch to the "Off" position.
2. To shut off the entire system:
 - a. Push gas control lever in and slide lever to the "Off" position (Robertshaw).
 - b. Rotate gas control knob to the "Off" position (White-Rodgers).

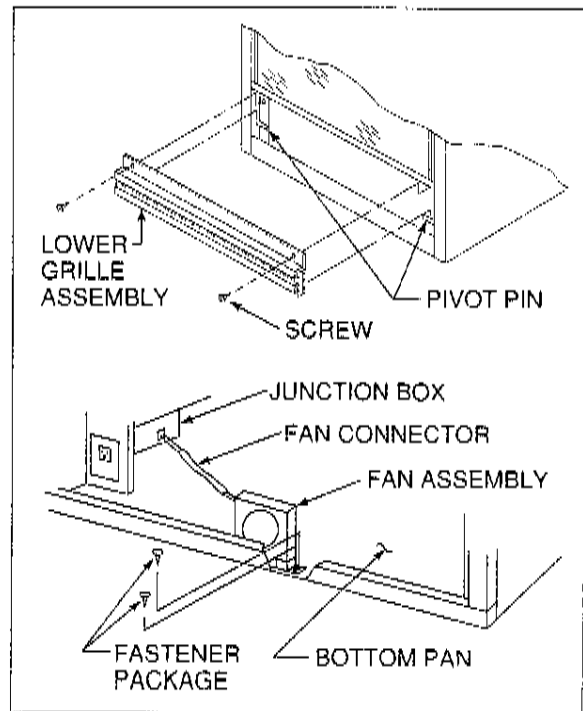


Figure 8

VI. OPERATING INSTRUCTIONS - STANDING PILOT IGNITION (G340, G340L, GC340, GC340L)

This gas appliance uses a millivolt control system, consisting of a Pilot Burner, Thermopile, Gas Control Valve, Limit Switch and an On/Off Switch. This unit does not require 110 Volt service to operate.

A. REMOVAL OF FRONT ACCESS (See Figure 8, page 6)

Remove the (2) phillips screws. Lift the panel to disengage the pivot pins and pull the panel forward. The glass panel does not require removal for this. To replace the panel, position it over the pivot pins and return the screws to their original position. The panel does not need screws to stay in place.

B. LIGHTING PROCEDURE

Steps 1 - 5 are to be followed for initial start-up and seasonal start-up. Step 6 is sufficient for later starts in-season.

1. Turn the remote wall switch to the "Off" position.
2. Push in and turn the gas control knob to the "Off" position. Wait (5) minutes to allow gas, that may have accumulated in the main burner compartment, to escape.
3. Turn the gas control knob to "Pilot".
4. Push and hold the gas control knob all the way in. Immediately light the pilot by pressing the red ignitor button. Continue to hold the gas knob in for about (1) minute after the pilot is lit. Release the knob and it will pop back up. The pilot should remain lit. If it goes out, repeat steps 1 through 4.
5. Turn the gas control knob to the "On" position.
6. Turn the wall switch to the "On" position. This will turn on the main burner.

C. SHUTDOWN PROCEDURE

For temporary situations, the main burner may be turned off by turning the gas control knob to "Pilot". The pilot burner will then remain lit, ready for return to normal service. For longer periods of shut-off, push the gas control knob down and turn to "Off". This will shut off both the pilot and main burner.

Keep the burner and control compartment clean.

Due to high surface temperatures, keep children, clothing and furniture away.

D. PILOT BURNER ADJUSTMENT (Preset at Factory)

Under certain circumstances the size of the pilot may have to be adjusted. It is accomplished as follows:

1. Remove the pilot adjustment cap. See Figure 6B, page 5.
2. Adjust the pilot key to provide properly sized flame. See Figure 9B.
3. Replace the pilot adjustment cap.

VII. MAINTENANCE INSTRUCTIONS

1. Keep the burner and control compartment clean by brushing and vacuuming at least once a year. Always turn off the valve before cleaning.
2. Periodically visually check the flame of the burner, making sure the flames are steady; not lifting or floating. The flame color should be blue with yellow tips. The ignitor (electronic) or thermopile (standing pilot) tips should be covered with flame. See Figures 9A or B and 10.

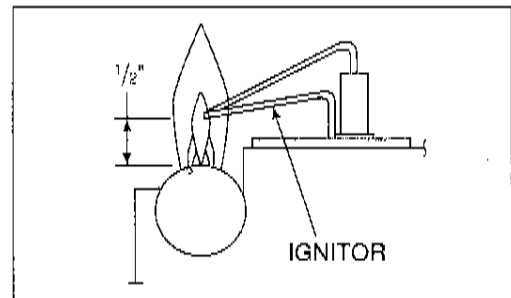


Figure 9A
(G340E, G340LE, GC340E, GC340LE)

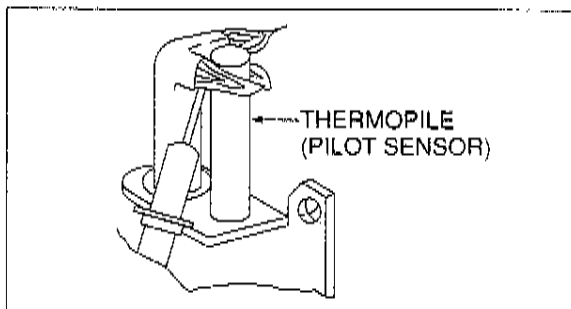


Figure 9B
(G340, G340L, GC340, GC340L)

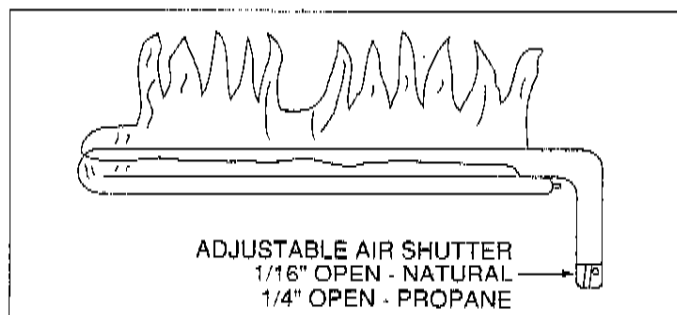


Figure 10

- C. The appliance and venting system should be inspected before use, and at least annually, by a qualified field service person, to ensure that the flow of combustion and ventilation air is not obstructed.
- D. Keep the area near the appliance clear and free from combustible materials, gasoline and other flammable vapors and liquids.
- E. **When first operated, the unit will release an odor for about an hour. This is caused by the curing of the paint and the burning off of any oils remaining from manufacturing.**

WARNING

CHILDREN AND ADULTS SHOULD BE ALERTED TO THE HAZARDS OF HIGH SURFACE TEMPERATURE AND SHOULD STAY AWAY TO AVOID BURNS OR CLOTHING IGNITION. YOUNG CHILDREN SHOULD BE CAREFULLY SUPERVISED WHEN THEY ARE IN THE SAME ROOM AS THE APPLIANCE.

CAUTION

ANY SAFETY SCREEN OR GUARD REMOVED FOR SERVICING AN APPLIANCE MUST BE REPLACED PRIOR TO OPERATING THE APPLIANCE.

CLOTHING OR OTHER FLAMMABLE MATERIAL SHOULD NOT BE PLACED ON OR NEAR THE APPLIANCE.

- F. **If optional glass doors are used, it is recommended to leave the doors closed to minimize heat loss through the flue.**
- G. **LOG REPLACEMENT**

Logs can be lifted out of position. If for any reason one should need replacement, you must use the proper replacement log. The position of these logs must be as shown in the diagram under Replacement Parts. The top log must be in the position as shown. **NOTE: Improper positioning of logs may create carbon build-up and will alter the unit's performance.** Carbon built-up can be removed with a vacuum cleaner.

TROUBLE SHOOTING - ELECTRONIC IGNITION (G340E, G340LE, GC340E, GC340LE)

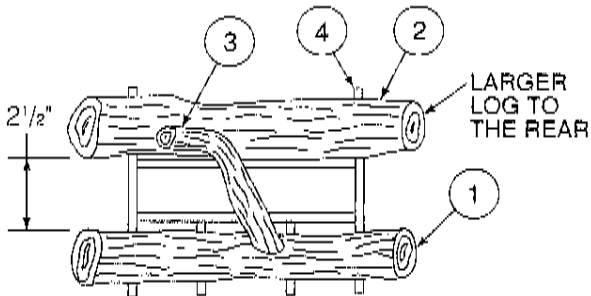
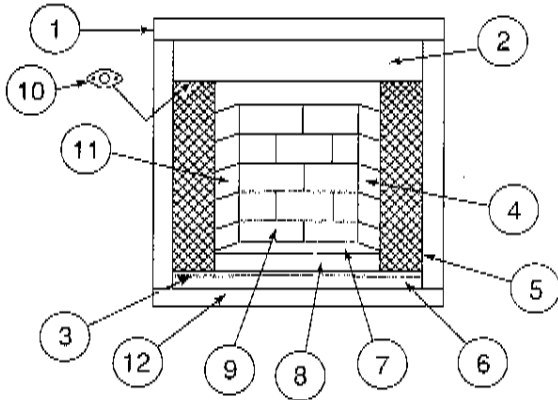
<u>Problem</u>	<u>Cause</u>	<u>Corrective Action</u>
1. Spark ignitor will not light burner after repeated attempts.	A. Defective ignitor. B. Misaligned electrode at pilot.	Check for loose connections on electrode and ignitor. Check for spark. If electrode connection is correct and no spark, replace ignitor. Spark should be extending approx. 1/8" to ground wire. Adjust gap to give proper spark. Remove hands from electrode before attempting.
2. Burner will not stay lit.	A. Defective flame sensor. B. No ground.	Check burner flame. See Figure 9A. Adjust sensor if necessary. Be sure sensor is secured tight into bracket. Be sure wiring connections are tight throughout system, including high limit switch. Check that wiring is grounded as shown in Figure 6A.
3. With valve and wall switch in "ON" position, no gas to burner.	A. Wall switch defective. B. Plugged burner orifice. C. Gas valve(s) shut off.	Check power source (fuses). Check wall switch for proper connections. Check for 24 volt power off secondary on the transformer. Check burner orifice; remove blockage. Check all gas valves leading to appliance. Turn to the "ON" position.

TROUBLE SHOOTING - STANDING PILOT (G340, G340L, GC340, GC340L)

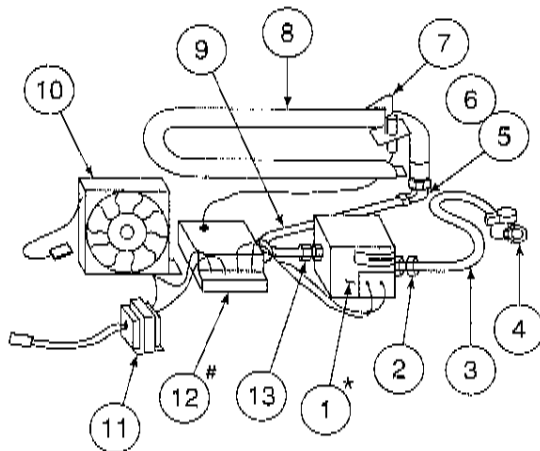
<u>Problem</u>	<u>Cause</u>	<u>Corrective Action</u>
1. Spark ignitor will not light the pilot after repeat pressing of Red Button.	A. Defective ignitor. B. Misaligned electrode at pilot.	Check for loose connections on electrode and ignitor. Check for spark. If electrode connection is correct and no spark, replace ignitor. Spark should be extending approx. 1/8" to thermopile. Adjust gap to give proper spark. Remove hands from electrode before pressing Red Button.
2. Pilot light will not stay lit.	A. Defective pilot thermopile.	Check pilot flame. See Fig. 9B. Adjust flame if necessary. Be sure thermopile is secured tight into pilot bracket. Be sure wiring connections are tight throughout system, including high limit switch. Check thermopile voltage with millivolt meter. Depress valve knob and light pilot. Meter should read min. of 325 millivolt. If not, replace the thermopile.
3. With pilot lit, valve and wall switch in "On" position, no gas to burner.	A. Wall switch defective. B. Plugged burner orifice.	Check wall switch for proper connections. Connect wires across terminal at wall switch. If burner comes on, replace wall switch. If burner does not come on, connect to wall switch junctions at valve. If burner comes on, replace wires. Check burner orifice; remove blockage.

REPLACEMENT PARTS

Replacement parts are available from your distributor/dealer, or through Heatilator Inc., 1915 W. Saunders Street, Mt. Pleasant, Iowa 52641.



ELECTRONIC IGNITION - G340E, G340LE, GC340E, GC340LE



* Valve identification must be made. They are marked White-Rodgers or Robertshaw.

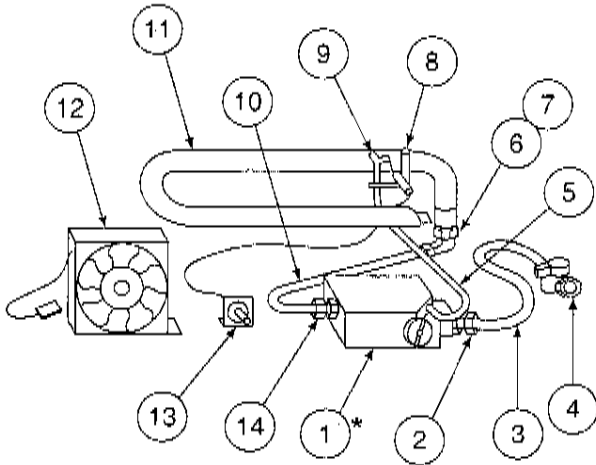
Ignition Control identification must be made. They are marked Channel Products or Fenwal.

ITEM	PART NO.	DESCRIPTION
1	14027	Top Front
2	14073 14010	Upper Front - G340/L & G340E/LE Upper Front - GC340/L & GC340E/LE
3	16720	Grille Bar
4	13958	Right Refractory
5	14014	Screen
6	16726C 16753	Lower Face - G340/L & G340E/LE Lower Face - GC340/L & GC340E/LE
7	14065	Vermiculite
8	13957	Ash Lip
9	12329	Back Refractory
10	13595	Limit Switch
11	13959	Left Refractory
12	16632A	Lower Face

ITEM	PART NO.	DESCRIPTION
1	14068	Front Log
2	14069	Back Log
3	14070	Top Log
4	14063	Grate

ITEM	PART NO.	DESCRIPTION
1*	71515 71516 71517 71518	Gas Valve - Natural (White-Rodgers) Gas Valve - Natural (Robertshaw) Gas Valve - Propane (White-Rodgers) Gas Valve - Propane (Robertshaw)
2	17069	Brass Fitting - Male
3	15696	Flexible Gas Line
4	15697	Manual On/Off Valve
5	13908	Brass Fitting - Elbow
6	15648 14046 14047	Orifice - Natural - High Altitude Orifice - Natural Orifice - Propane
7	17003	Ignitor
8	13858	Burner
9	18626	3/8" Burner Tubing
10	FK10	Fan Kit
11	17836	Transformer Assembly
12#	15695	Ignition Control (Channel Products) Ignition Control (Fenwal)
13	13425	Brass Fitting

**STANDING PILOT -
G340, G340L, GC340, GC340L**



*Valve identification must be made. They are marked White-Rodgers or Robertshaw.

ITEM	PART NO.	DESCRIPTION
1*	71491	Gas Valve - Natural (Robertshaw)
	71492	Gas Valve - Natural (White-Rodgers)
	71486	Gas Valve - Propane (Robertshaw)
	71485	Gas Valve - Propane (White-Rodgers)
2	17069	Brass Fitting - Male
3	15696	Flexible Gas Line
4	15697	Manual On/Off Valve
5	15045	1/4" Pilot Tubing (Robertshaw)
	18771	1/4" Pilot Tubing (White-Rodgers)
6	13908	Brass Fitting - Elbow
7	15648	Orifice - Natural - High Altitude
	14046	Orifice - Natural
	14047	Orifice - Propane
8	13411	Thermopile
9	13406	Pilot Assembly - Natural
	13444	Pilot Assembly - Propane
10	15044	3/8" Burner Tubing
11	13858	Burner
12	FK10	Fan Kit
13	13416	Push Button Ignitor
14	13425	Brass Fitting - Male
15	RC4	Remote Burner Control (Not Shown)

ELECTRONIC IGNITION (G340E, G340LE, GC340E, GC340LE)**FOR YOUR SAFETY READ BEFORE LIGHTING**

WARNING: If you do not follow these instructions exactly, a fire or explosion may result causing property damage, personal injury or loss of life.

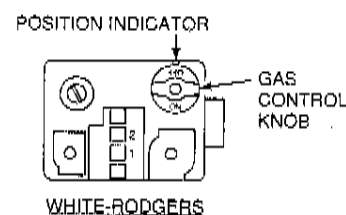
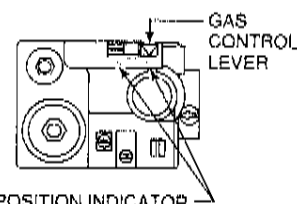
- A. This appliance does not have a pilot. It is equipped with an ignition device which automatically lights the burner. Do not try to light the burner by hand.
- B. **BEFORE OPERATING** smell all around the appliance area for gas. Be sure to smell next to the floor because some gas is heavier than air and will settle on the floor.

WHAT TO DO IF YOU SMELL GAS

- Do not try to light any appliance.
 - Do not touch any electric switch; do not use any phone in your building.
 - Immediately call your gas supplier from a neighbor's phone. Follow the supplier's instructions.
 - If you cannot reach your gas supplier, call the fire department.
- C. Use only your hand to push in and move the gas control lever, or rotate the gas control knob. Never use tools. If the lever will not push in or move by hand, don't try to repair it; call a qualified service technician. Force or attempted repair may result in a fire or explosion.
- D. Do not use this appliance if any part has been under water. Immediately call a qualified service technician to inspect the appliance and to replace any part of the control system and any gas control which has been under water.

OPERATING INSTRUCTIONS

1. STOP! Read the safety information above on this label.
2. Turn wall switch to the "OFF" position.
3. Turn off all electric power to the appliance.
4. This appliance is equipped with an ignition device which automatically lights the burner. Do not try to light burner by hand.
- 5a. Push gas control lever in and move to the "OFF" position (Robertshaw).
- b. Rotate gas control knob to the "OFF" position (White-Rodgers).
6. Wait five (5) minutes to clear out any gas. If you then smell gas, STOP! Follow "B" in the safety information above on this label. If you don't smell gas, go to the next step.
7. Move gas control to the "ON" position.
8. Replace control access panel.
9. To turn on burner, turn on all electric power to this appliance.
10. If the appliance will not operate, follow the Instructions "TO TURN OFF GAS TO APPLIANCE" and call your service technician or gas supplier.

**TO TURN OFF GAS TO APPLIANCE**

1. Turn off the wall switch.
2. Turn off all electric power to the appliance if service is to be performed.
3. Push gas control lever in and move to the "OFF" position. Do not force.
4. Replace control access panel.

Due to high surface temperatures, keep children, clothing and furniture away.

Keep burner and control compartment clean. See Installation and Operating Instructions accompanying the appliance.

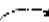
STANDING PILOT (G340, G340L, GC340, GC340L)

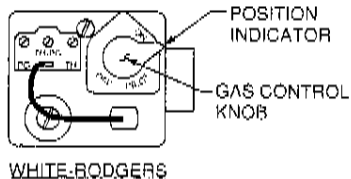
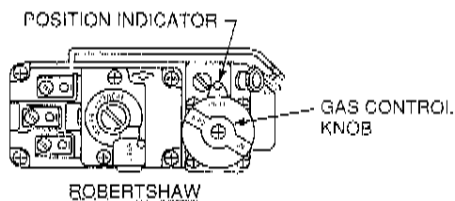
FOR YOUR SAFETY READ BEFORE LIGHTING



WARNING: If you do not follow these instructions exactly, a fire or explosion may result causing property damage, personal injury or loss of life.

- A. This appliance has a pilot which must be lighted by hand. When lighting the pilot, follow these instructions exactly.
- B. BEFORE LIGHTING smell all around the appliance area for gas. Be sure to smell next to the floor because some gas is heavier than air and will settle on the floor.
- WHAT TO DO IF YOU SMELL GAS
- Do not try to light any appliance.
 - Do not touch any electric switch; do not use any phone in your building.
 - Immediately call your gas supplier from a neighbor's phone. Follow the supplier's instructions.
- C. Use only your hand to push in or turn knob. Never use tools. If the knob will not push in or turn by hand, don't try to repair it; call a qualified service technician. Force or attempted repair may result in a fire or explosion.
- D. Do not use this appliance if any part has been under water. Immediately call a qualified service technician to inspect the appliance and to replace any part of the control system and any gas control which has been under water.
- If you cannot reach your gas supplier, call the fire department.

LIGHTING INSTRUCTIONS

1. STOP! Read the safety information above on this label.
2. Turn on/off switch to the "OFF" position.
3. Turn off all electric power to the appliance.
4. Remove control access panel.
5. Push in and turn gas control knob clockwise  to "OFF".
7. Find pilot - follow metal tube from gas control. The pilot is behind the burner tube.




8. Turn knob on control counterclockwise  to "PILOT".
9. Push in the knob all the way and hold in. Immediately light the pilot by pressing the red ignitor button. Continue to hold the control knob in for about (1) minute after the pilot is lit. Release button and it will pop back up. Pilot should remain lit. If it goes out, repeat steps 5 through 9.
 - If button does not pop up when released, stop and immediately call your service technician or gas supplier.
 - If the pilot will not stay lit after several tries, turn the gas control knob to "OFF" and call your service technician or gas supplier.
10. Turn gas control knob counterclockwise  to "ON". Knob can be turned to "ON" only if the control knob is popped out.
11. Replace control access panel.
12. Turn on all electric power to the appliance.



PILOT BURNER

TO TURN OFF GAS TO APPLIANCE

1. Turn off the on/off switch.
2. Turn off all electric power to the appliance if service is to be performed.
3. Remove control access panel.
4. Turn gas control clockwise  to "OFF". Do not force.
5. Replace control access panel.

Attention

APPLIANCE INSTALLER

*Please return these
Operating & Installation
instructions to the
Appliance
for Consumer Use*

heatilator
The first name in fireplaces

Heatilator
1415 West 17th Street
Mesa, Arizona 85202
TEL: 480.961.0850
WWW.HEATILATOR.COM