

TRITON LINKING KIT

SF-TR-LINK

Models: SF-TR50, SF-TR65, SF-TR78

- Installation Instructions -

CAUTION! Risk of Cuts, Abrasions or Flying Debris.
Wear protective gloves and safety glasses during installation. Sheet metal edges are sharp.

CAUTION! Do not install damaged components.



Do not discard and leave with product. These instructions are required at different times.

Refer to the Triton Installation Manual (SF-TR-MAN) for additional details on framing and installation. This document is for supplemental use only.

IMPORTANT: Electrical power supply must be wired before installation.

IMPORTANT: When linking multiple Triton appliances, note the electrical circuit requirements for each individual appliance.

- Each appliance needs its own separate circuit.
- Verify that the heater input voltage/disable switch for each appliance is set to the same setting.
- 120V requires a 15AMP, 60Hz circuit - multiply the quantity of appliances by 5,000 BTUs for heat output.
- 240V requires a 20AMP, 60Hz circuit - multiply the quantity of appliances by 10,000 BTUs for heat output.

Refer to the Triton Installation Manual (SF-TR-MAN) for additional information on electrical requirements.

For Example: Two (2) linked Triton appliances with a heater input voltage setting of 240V will each need to be connected to separate 20AMP circuits, and the combined heat output will be 20,000 BTUs.

Introduction

The appliance linking kit is designed to attach two SimpliFire Triton Fireplaces together. Multiple linking kits can be used to attach additional appliances.

Kit Components

PART	QTY
Top Linking Bracket (Left)	1
Top Linking Bracket (Right)	1
Front Linking Bracket	2
ST4x12 Screws	14
M4x10 Screws	2

Verify and remove contents from packaging before beginning installation.

Tools Needed

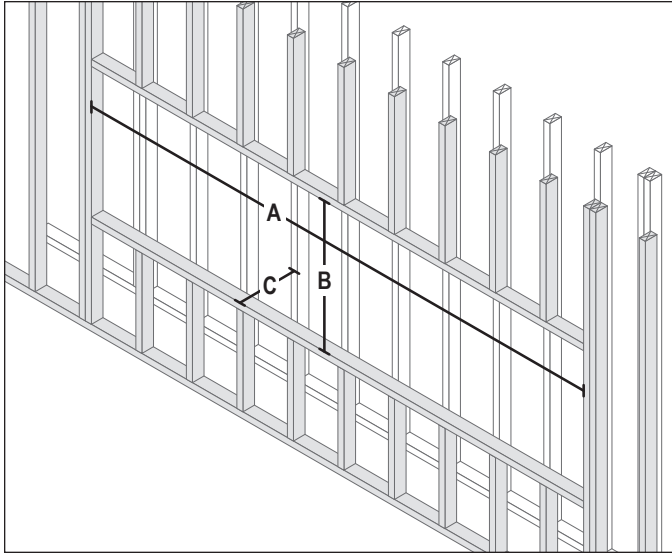
Before beginning the installation, be sure that the following tools and building supplies are available.

- Phillips Screwdriver
- Level (and shims)
- Tape Measure
- Square
- Safety Glasses
- Gloves

A. Framing

Frame the opening based on the desired configuration (single-sided, 2-sided, or 3-sided) from SF-TR-MAN. Adjust the width of the framed opening based on the table below. Figures are for reference only and demonstrate a single-sided installation.

IMPORTANT: Upper framing must not rest on the top of the appliances. The appliances are not load bearing. Standard (2x4) framing must be used to frame opening.



	SF-TR50	SF-TR65	SF-TR78
Appliance Width	50-3/8 (1279)	65-5/16 (1659)	78-5/16 (1989)
A - Framing Width (1 appliance)	50-5/8 (1286)	65-9/16 (1665)	78-9/16 (1996)
A - Framing Width (2 appliances)	101 (2565)	130-7/8 (3324)	156-7/8 (3985)
A - Framing Width (3 appliances)	151-3/8 (3845)	196-3/16 (4983)	235-3/16 (5974)
A - Framing Width (4 appliances)	201-3/4 (5124)	261-1/2 (6642)	313-1/2 (7963)
B - Framing Height	27-3/16 (691)	27-3/16 (691)	27-3/16 (691)
C - Framing Depth	12-15/16 (329)	12-15/16 (329)	12-15/16 (329)
Dimensions provided in inches (millimeters) Framing width accounts for 1/8 inch buffer on both ends.			

NOTE: For applications with additional appliances, calculate the framing width by multiplying the quantity of appliances by the single appliance width dimension (first row of the above table) plus 1/4 inch (1/8 inch on each end).

B. Prepare the Appliance

CAUTION! The appliance should be disconnected from power before kit is installed.

Reference SF-TR-MAN to prepare the appliance for installation. Prepare the appliance with the proper trim and cover plate configuration for the desired installation (single-sided, 2-sided, or 3-sided).

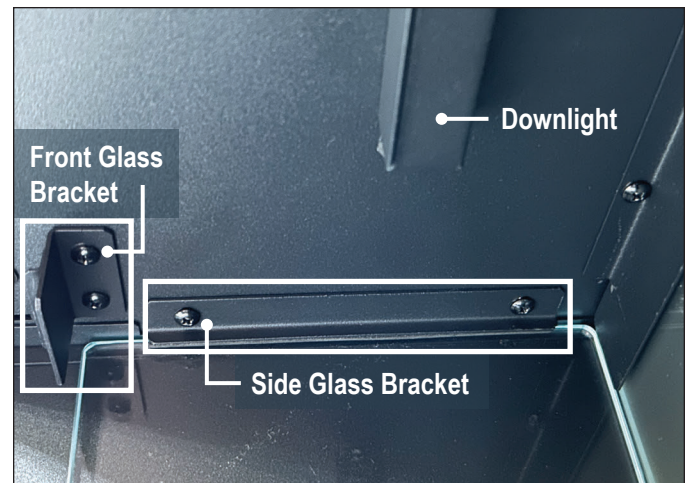
Remove Connecting Glass Side Panels

Removal of the adjacent side panels and side glass pieces allows the logs and glass media to pass seamlessly from one appliance to another.

NOTE: Front glass ships in a secondary box. Reference SF-TR-MAN after linking for front glass installation.

1. Remove the seven screws attaching the adjacent side panel. Adjacent side panel and screws can be discard after removal.
2. Detach the downlight by removing all of the screws connecting it to the appliance, and set screws aside for re-assembly.

NOTE: The downlight wiring does NOT need to be disconnected to remove the side glass, just shift downlight away from the side glass to create the necessary space.



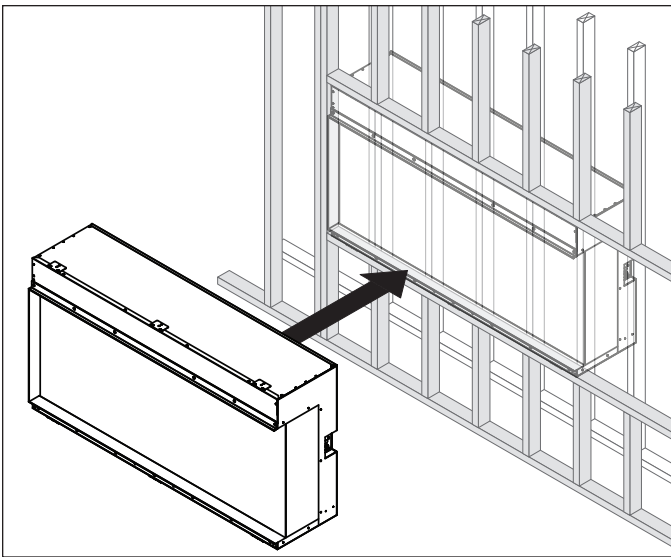
3. Remove the two screws attaching the front glass bracket, and set bracket and screws aside for re-assembly.
4. Remove the two screws attaching the side glass bracket, and set bracket and screws aside for re-assembly.
5. Tilt the top of the side glass inward and remove from the appliance. Side glass can be discarded.
6. Reattach the side glass bracket and the front glass bracket with their previously removed screws.
7. Reattach the downlight to the appliance with the previously removed screws.
8. Repeat steps for any additional appliances.

C. Installation

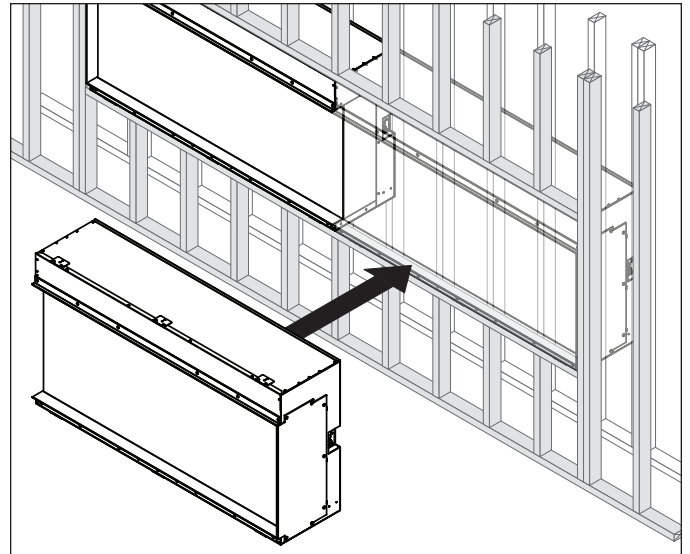
Make sure all previous steps have been completed before installation.

IMPORTANT: Align the open sides of the appliances adjacent to each other. When linking three or more appliances, align appliances with both sides open in the middle positions.

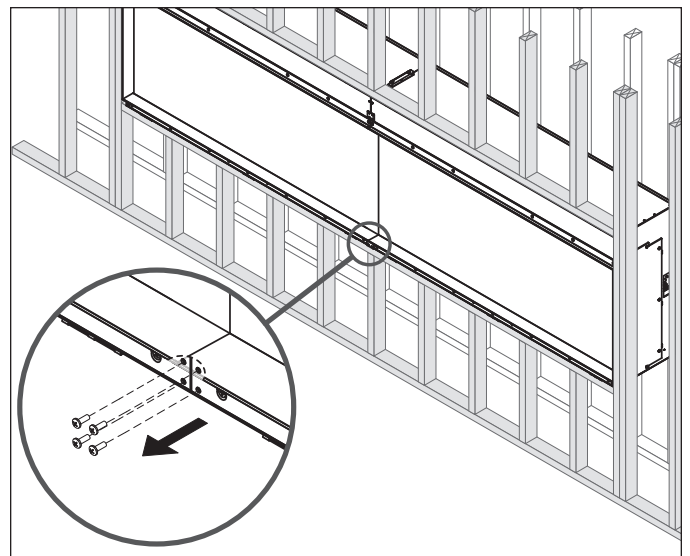
1. Fold out the six top mounting brackets on each appliance.
2. Connect each appliance to the electrical service, reference SF-TR-MAN for electrical connection instructions.
3. Insert the first appliance into the framed opening, such that it is aligned to one side of the opening with the open side of the appliance positioned in the middle of the opening.



4. Insert the second appliance into the framed opening, such that it is alongside the first appliance.

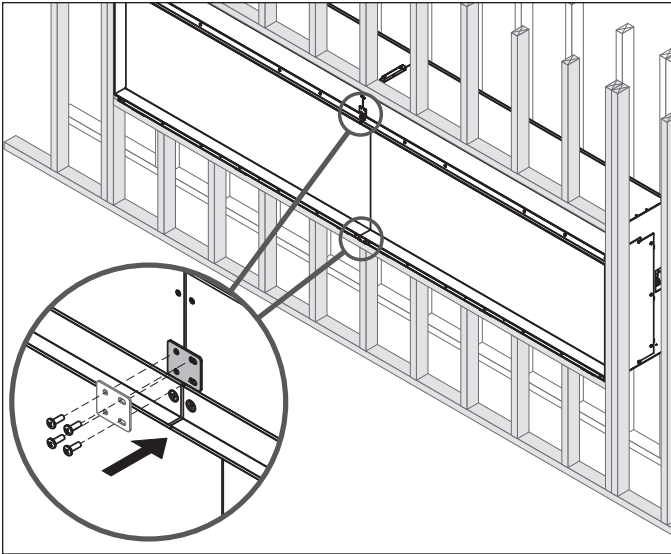


5. Shim and level both appliances, ensuring they are flush with one another.
6. Remove screws from lower front bracket location, two from each appliance. Screws can be discarded.



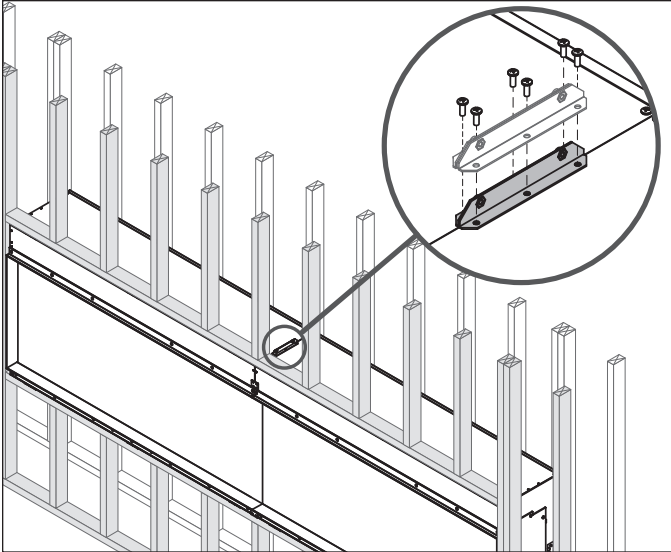
7. Connect the two appliances together with the two front linking brackets, one on the bottom and one towards the top (see figure below). Attach each front bracket with four provided ST4x12 screws.

NOTE: Do not fully tighten screws at this time.

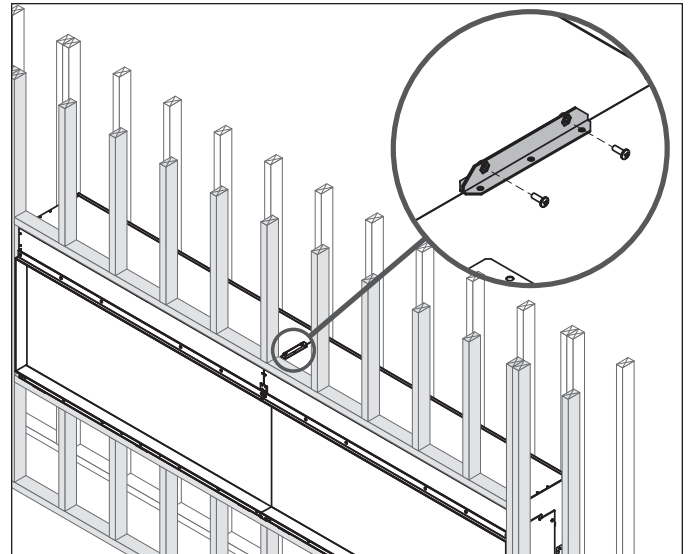


8. Attach the left and right top linking brackets to the tops of the two appliances with six provided ST4x12 screws (three screws for each bracket).

NOTE: Do not fully tighten screws at this time.



9. Connect the two top linking brackets together with two provided M4x10 screws.



10. Tighten all front and top linking bracket screws connecting the two appliances.
11. Repeat steps for any additional appliances.
12. See Triton Installation Manual for final attachment to framing and finishing instructions.

D. Sync Controls

This section provides instructions on how to sync the remote, appliance buttons, and Wi-Fi app controls together for multiple appliances. After appliances are connected to power, follow these steps to sync all secondary appliance controls to the primary appliance.

1. Choose one appliance to be the primary appliance. All additional appliances will be considered secondary appliances.
2. Put secondary appliance into syncing mode.
 - a. Make sure the AC toggle switch is OFF on the secondary appliance.
 - b. Press and hold the FLAME button on the secondary appliance. While holding the FLAME button, flip the AC toggle switch of the secondary appliance to ON.
 - c. Continue holding the FLAME button until two beeps are heard. Two beeps indicates that the secondary appliance was successfully put into syncing mode.
3. Sync the secondary appliance to the primary appliance controls.
 - a. Locate the remote of the primary appliance and ensure the batteries are installed.
 - b. Make sure the AC toggle switch of the primary and secondary appliances are switched to ON.
 - c. Press and hold the POWER button on the secondary appliance for three seconds.
 - d. When two beeps are heard, press the POWER button on the remote of the primary appliance.
4. Repeat steps for any additional secondary appliances that need to be synced to the primary appliance controls.



SimpliFire, a brand of Hearth & Home Technologies
7571 215th Street West, Lakeville, MN 55044
www.hearthnhome.com

Please contact your SimpliFire dealer or customer / technical support
(877-320-0730) with any questions or concerns.
For the location of your nearest SimpliFire dealer,
please visit www.hearthnhome.com.

Printed in China - Copyright 2025