



Overhead Accent Light Installation Instructions

Model: MONALST

For use with LSTF Series Firebox



WARNING: Turn appliance OFF and allow to cool before servicing. Only a qualified service person should service and repair this insert. A qualified service person must connect and disconnect the insert to/from the gas supply. Follow all local codes.

NOTE: This kit is designed to work manually with the dimmer control supplied.

BEFORE YOU BEGIN

The instruction sheet is ONLY for models listed below; carefully inspect the contents for shipping damage. If any parts are missing or damaged, immediately contact the dealer from whom you purchased this kit.

This kit is designed for use with the LSTF36-B firebox.

KIT CONTENTS:

- Two (2) light socket assemblies
- One (1) Rheostat dimmer
- One (1) 6 ft. power cord
- One (1) light join wire harness
- Two (2) light bulbs (35 watt)
- One (1) light cover with clear lens
- One (1) fastener pack

TOOL REQUIRED:

Phillips head screwdriver or battery drill

Installation Instructions - Wiring

WARNING

Electrical Grounding Instructions:

This appliance is equipped with a three-prong (grounding) plug for your protection against shock hazard and should be plugged directly into a properly grounded three prong receptacle.

CAUTION

Electrical connections should only be performed by a qualified licensed electrician. Main power supply must be turned off before connecting kit.

IMPORTANT: Always check local building codes.

This installation must comply with local regulations as well as the National Electric Code.

1. Before installing the lighting kit, wire the junction box into an electrical circuit. This should be done before framing the fireplace. Wire with minimum 60°C wire in accordance with prevailing codes.
2. Remove the two (2) screws for the junction box cover, loosen romex connector and slide up wire. Connect wires to junction box wires securely. Slide junction box cover down to unit and reattach to firebox and tighten romex connector to wire. Junction box was installed at the factory. See Figure 1.

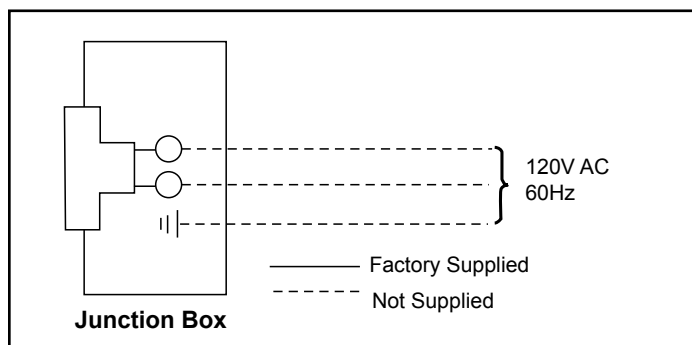


Figure 1 - Junction Box Wiring Diagram

Installation Instructions - Light Kit

1. Remove burner and log set from firebox if previously installed.
2. Remove firebrick if previously installed.
3. Remove side access panel. See Figure 2.

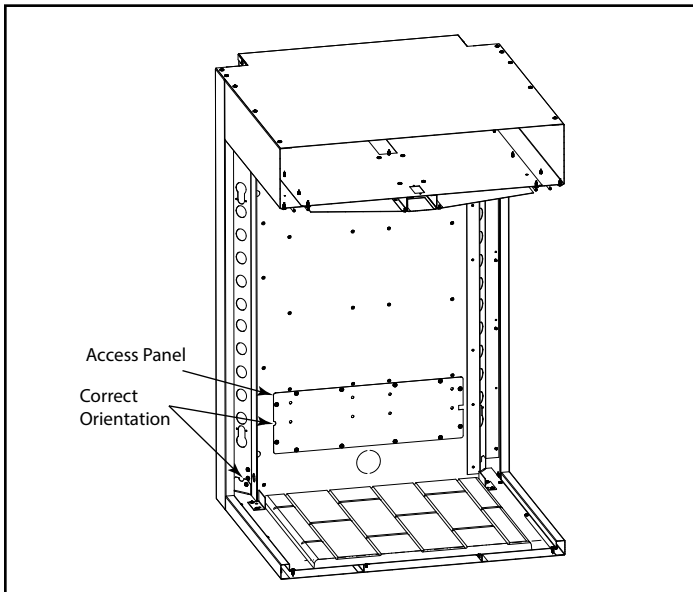


Figure 2 - Side Access Panel

4. Remove the two (2) top access panels. See Figure 3.

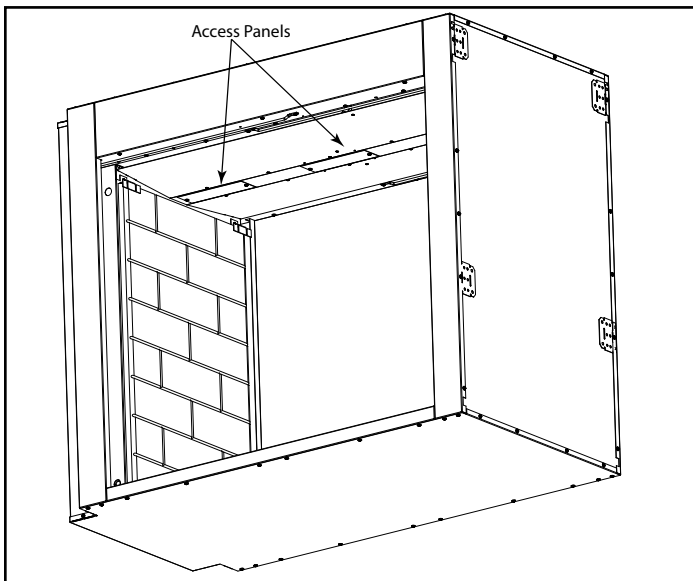


Figure 3 - Side Access Panel

5. Remove the two (2) bulb delete plates and the inner top access panel. See Figure 4.
6. Insert wire from light socket through opening from bulb delete and direct toward side with access panel. Use the hole created by the inner top access panel to direct wires over the edge and down the side of the firebox wall. Wires should be visible through the side access panel. Attach with two (2) screws removed from bulb delete plates. Repeat steps for second socket.

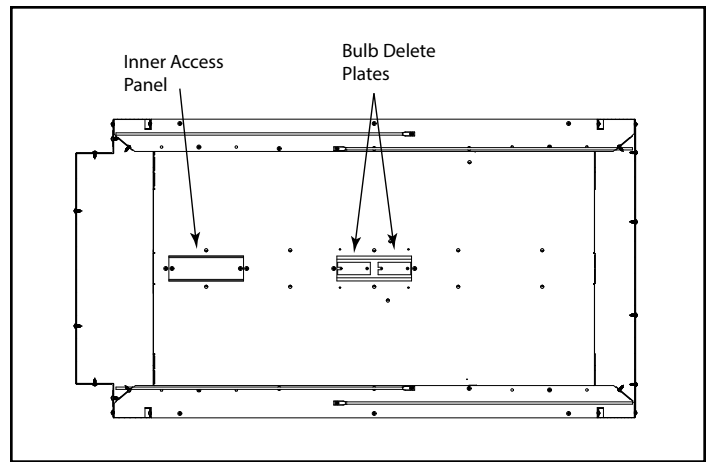


Figure 4 - Inserting Wire Light Socket

7. Remove rheostat bracket by removing two (2) screws on the venting support. See Figure 5.

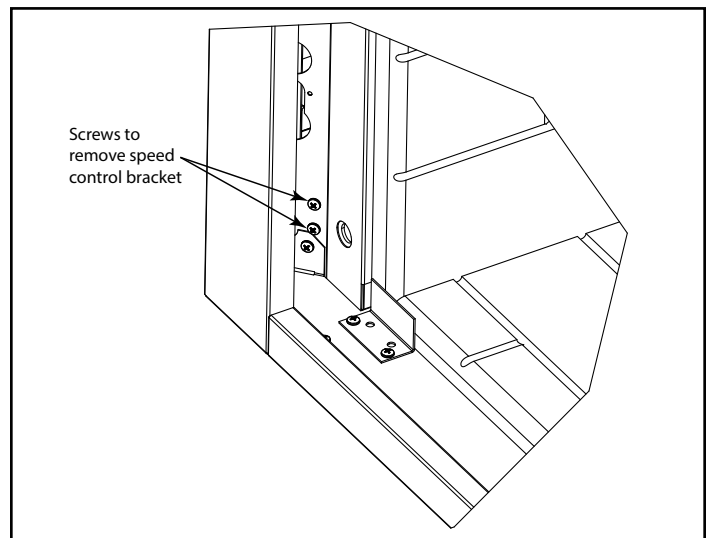


Figure 5 - Removing Speed Control Bracket

8. Remove knob from rheostat dimmer. Attach to rheostat bracket with two (2) screws from fastener pack.
9. Reinstall rheostat on bracket back into position by aligning the stem of the rheostat through the hole in the venting support and reattach with two (2) screws removed from step 7. See Figure 6.

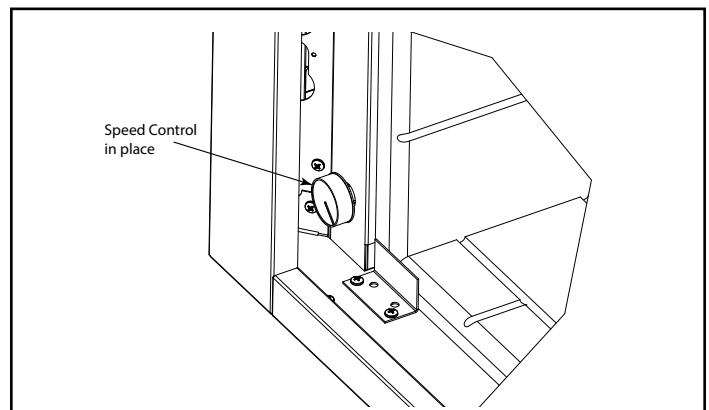


Figure 6 - Speed Control

10. Reattach knob onto stem of rheostat.
11. Attach wires from light sockets assemblies to light join harness. Two (2) male spades from each light socket should attach into the paired female spades of the light join harness. See wiring diagram Figure 7.

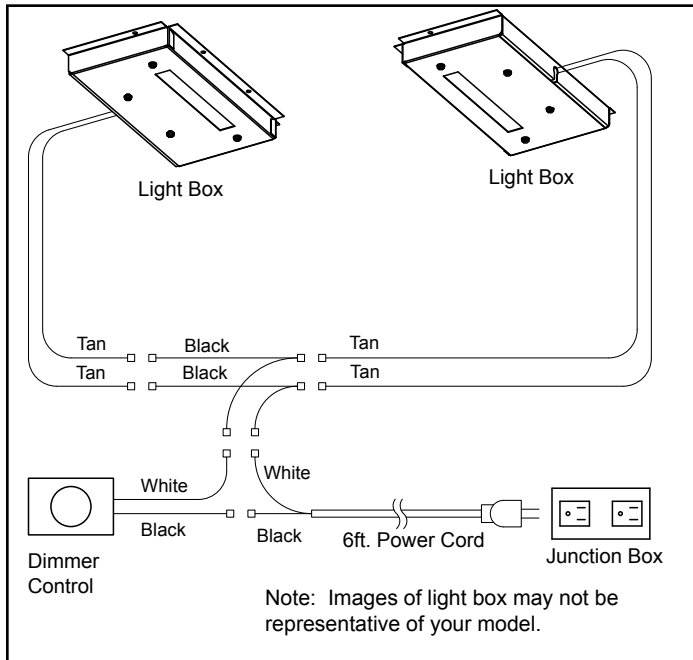


Figure 7 - Wiring Diagram

12. Insert Two (2) wire management clips from fastener pack into side of outer wrapper. See Figure 8.

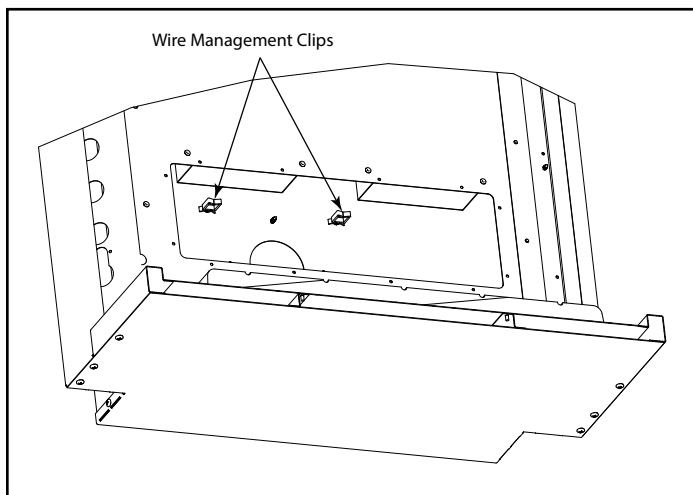


Figure 8 - Wire Management Clip Locations

13. Use wire management clips and wire ties to secure wiring along side and floor of unit.
14. Install bulbs into each socket. Use gloves to avoid direct contact with the bulbs as the oil residue from hands will shorten the life of the bulb.
15. Attach light cover with four (4) screws (2 each side) from fastener pack directly under bulbs.
16. Reinstall inner top access panel (smaller plate) back in place with two (2) screws previously removed. See Figure 4.
17. Reinstall outer top access panel (larger plate) back in place with two (2) screws previously removed. See Figure 3.
18. Plug power cord into junction box.
19. Reinstall side access panel with twelve (12) screws previously removed as shown in Figure 2.
20. Reinstall firebrick panels, burner and log set if previously installed. Refer to burner/log set instructions for correct placement.

Monessen, a brand of Hearth & Home Technologies
 7571 215th Street West, Lakeville, MN 50044
www.monessenhearth.com