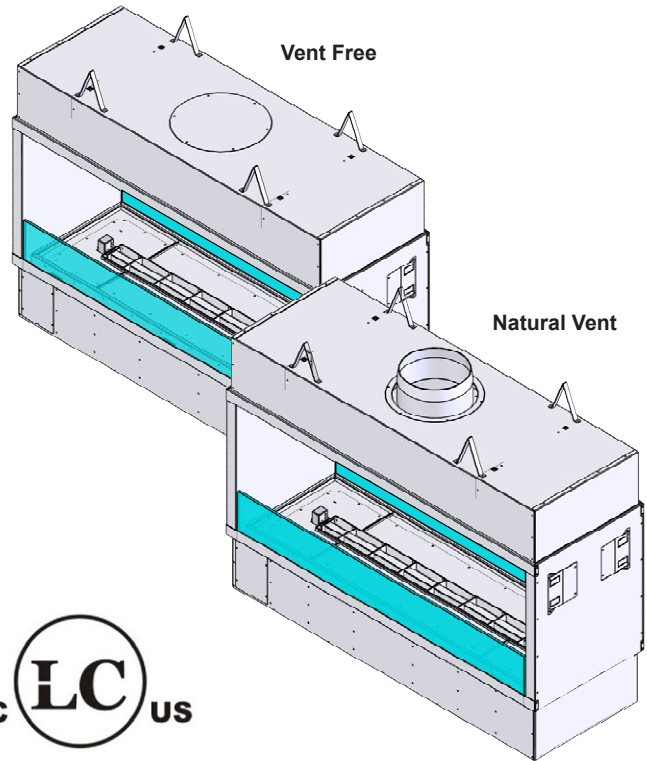




Outdoor Fireplace Program Open Hearth Gas Fireplaces

ENDULGE COLLECTION DOUBLE-SIDED

Installation & Operating Manual



Available Widths: 3', 4', 5', 6', 7', 8', 9', & 10'



	<p>WARNING: FIRE OR EXPLOSION HAZARD</p>
<p>Failure to follow all instructions and safety warnings exactly could result in serious injury, death, or property damage.</p>	
	<p>This appliance is only for use with Natural Gas or Propane Gas</p>
<ul style="list-style-type: none"> — Do not store or use gasoline or other flammable vapors and liquids in the vicinity of this or any other appliance. — An LP cylinder not connected for use must not be stored in the vicinity of this or any other appliance. — WHAT TO DO IF YOU SMELL GAS <ul style="list-style-type: none"> • Shut off gas to the appliance. • Extinguish any open flame. • If odor continues, leave the area immediately. • After leaving the area, call your gas supplier or fire department. — Installation and service must be performed by a qualified installer, service agency or the gas supplier. 	

<p>DO NOT DISCARD</p>	
<p>Installer: Leave this manual with the appliance. Consumer: Retain manual for future reference.</p>	

	<p>SERVICE</p>
<p>Our gas hearth products must be installed and serviced by trained fireplace professionals.</p>	

	<p>DANGER: CARBON MONOXIDE HAZARD</p>	
<p>FOR OUTDOOR USE ONLY</p> 	<p>This appliance can produce carbon monoxide which has no odor. Using it in an enclosed space can kill you. Never use this appliance in an enclosed space such as a camper, tent, car or home.</p>	

**Read this manual before installing or operating this appliance.
Please retain this owner's manual for future reference.**

***Congratulations on selecting a
Stellar by Heat & Glo gas fireplace.***

You've selected a model within the ENDULGE Collection that is crafted to elevate even the most unique spaces. Each of our ENDULGE Collection's configurations sets the stage with the most robust flames in its class, with commercial grade components providing the utmost in safety and reliability.

As the owner of a new fireplace, you'll want to read and carefully follow all of the instructions contained in this owner's manual.

Pay special attention to all cautions and warnings.

DO NOT DISCARD.

This owner's manual should be retained for future reference. We suggest that you keep it with your other important documents and product manuals.

Installation Team: at the time of install, please record the following pertinent information about the fireplace for the homeowners reference:

Model Name: _____

Serial Number: _____ Date Installed: _____

Dealer Purchased From: _____

Dealer City/State: _____ Dealer Phone: _____

Notes: _____

If your model number has not been filled out above, please contact your dealer the fireplace purchased through directly for assistance identifying your model number by the serial number.



STELLAR

by Heat & Glo

stellar.heatnglo.com

Stellar by Heat&Glo, a division of Hearth & Home Technologies, Inc.

22160 Cedar Avenue S.

Lakeville, MN 55044

(P) 952-224-4072


(E) StellarInfo@hearthnhome.com

LC RATING PLATE LOCATION & MODEL NUMBER IDENTIFICATION


The rating plate is used for multiple designs and multiple collections, and custom fireplaces.

The generic nomenclature listed on the rating plate will not identically match the model of ENDULGE fireplace you have.

The rating plate must stay with the fireplace and is located below the burner in an area that will only be reachable while servicing.




LC15147-1



Vented Gas Fireplace
Not For Use With Solid Fuel

DATE OF MFG

SERIAL NO.



Tested to: ANSI Z21.97-2017(R2022) * CSA 2.41-2017(R2022) Outdoor Decorative Gas Appliances.
This vented gas fireplace is not for use with air filters.
This appliance must be installed in accordance with local codes, if any; if none, follow the National Fuel Gas Code, ANSI Z223.1/NFPA 54, or Natural Gas and Propane Installation Codes, CSA B149.1.

This unit is equipped for use with: NATURAL GAS

Model Number, Input and Orifice Specifications - NATURAL GAS

Manifold Pressure (in W.C.)	3.5"		
Minimum Inlet Pressure (in W.C.)	7.0"		
Maximum Inlet Pressure (in W.C.)	9.0"		
Electrical Specifications	120 VAC, 0.5 amp (50kW)		

Model No.	Maximum Input Rating BTU/Hr	Burner Orifice (DMS)	KEY: XX
<input type="checkbox"/> 3-XX-YY-OD-OH	55,000	(1X) #25	SS = Single Sided
<input type="checkbox"/> 4-XX-YY-OD-OH	75,000	(1X) #16	ST = See Through
<input checked="" type="checkbox"/> 5-XX-YY-OD-OH	100,000	(2X) #25	BY = Bay
<input type="checkbox"/> 6-XX-YY-OD-OH	125,000	(1X) #16 & (1X) #25	PR = Pier
<input type="checkbox"/> 7-XX-YY-OD-OH	150,000	(2X) #16	LC = Left Corner
<input type="checkbox"/> 8-XX-YY-OD-OH	175,000	(1X) #16 & (2X) #25	RC = Right Corner
<input type="checkbox"/> 9-XX-YY-OD-OH	200,000	(2X) #16 & (1X) #25	4S = 4 Sided
<input type="checkbox"/> 10-XX-YY-OD-OH	225,000	(3X) #16	KEY: YY
			18 = 18 inch depth
			24 = 24 inch depth

Electrical Ratings: 120 Volts, 50/60 Hz, 0.5 Amps Max.
This appliance is equipped for altitudes 0-2,000 ft. (0-610m) in USA, and 0-4,500 ft. (0-1370m) in Canada.
Above these altitudes, contact Stellar Hearth for conversion if necessary.

FOR OUTDOOR USE ONLY

MODEL NUMBER IDENTIFICATION

Viewing Height Of The Fireplace (Feet)

3-4-5-6-7-8-9-10 = ENDULGE Model

Use Location Of Fireplace

OD = Outdoor Use Only

5-XX-YY-OD-OH

Configuration Of The Fireplace

SS = Single-Sided

ST = See Through (Double-Sided)

Style Of Burner

OH = LOH Vent Free (Standard) & Natural Vent (Customs Only)

Viewing Height Of Fireplace (Inches)

24 = All Standard ENDULGE Models

Outdoor Stellar by Hearth & Home Technologies™ Limited Lifetime Warranty

Hearth & Home Technologies (“HHT”) extends the following warranty for all Outdoor Stellar by HHT™ brand products (“Products”) that are purchased from an HHT authorized dealer.

WARRANTY COVERAGE:

HHT warrants to the original owner of the Product at the site of installation, and to any transferee taking ownership of the Product at the site of installation within one year following the date of original purchase, that the Product will be free from defects in materials and workmanship at the time of manufacture. After installation, if covered components manufactured by HHT are found to be defective in materials or workmanship during the applicable warranty period, HHT will, at its option, repair or replace the covered components. This warranty is subject to conditions, exclusions and limitations as described below.

WARRANTY PERIOD:

The warranty period begins on the earlier of: (i) the date of invoice for the Product; (ii) in the case of new home construction, the date of first occupancy of the residence or six months after the date of sale of the Product by an HHT authorized dealer, whichever occurs first; or (iii) the date 24 months following the date of Product shipment from HHT, regardless of the invoice or occupancy date.

WARRANTY CONDITIONS:

- The Limited Lifetime Warranty covers Products that are purchased through a HHT authorized dealer or distributor. A list of HHT authorized dealers is available on the HHT branded websites.
- This warranty is only valid while the Product remains at the site of original installation.
- Contact your installing dealer for warranty service. If the installing dealer is unable to provide necessary parts, contact the nearest HHT authorized dealer. Additional service fees may apply if you are seeking warranty service from a dealer other than the dealer from whom you originally purchased the Product.
- Check with your dealer in advance for any costs to you when arranging a warranty call. Travel and shipping charges for parts are not covered by this warranty.
- The Product body and metal firebox carry the Limited Lifetime Warranty from the date of installation.
- The following components do not carry the Limited Lifetime Warranty but are warranted as follows:
 - One Year from Date of Installation:
 - Gas and Electrical Components or Gaskets
 - Glass Breakage, Logs/Refractory/Glass Panels due to thermal breakage
 - Surface, hairline cracks, scratches and slight color changes are not covered
 - Venting and optional accessories
 - Labor Associated with Warranty Service Work

WARRANTY EXCLUSIONS:

This warranty does not cover the following:

- Changes in surface finishes as a result of normal use. As a heating appliance, some changes in color of interior and exterior surface finishes may occur; this is not a flaw and not covered under warranty.
- Damage to printed, plated, or enameled surfaces caused by fingerprints, accidents, misuse, scratches, melted items, or other external sources and residues left on surfaces from the use of abrasive cleaners or polishes.
- Repair or replacement of parts that are subject to normal wear and tear during the warranty period. These parts include: paint, firebricks, grates, flame guides and the discoloration of glass.
- Minor expansion, contraction, or movement of certain parts causing noise. These conditions are normal and complaints related to this noise are not covered by this warranty.

- Damages resulting from: (1) failure to install, operate, or maintain the Product in accordance with the installation instructions, operating instructions, and listing agent identification label furnished with the Product; (2) failure to install the Product in accordance with local building codes; (3) shipping or improper handling; (4) improper operation, abuse, misuse, continued operation with damaged, corroded or failed components, accident, or incorrectly performed repairs; (5) inadequate ventilation, negative pressure or environmental conditions, including, without limitation: hail, snow, ice, fallen branches, flooding, water damage and fading of color; (6) use of fuels other than those specified in the operating instructions; (7) installation or use of components not supplied with the Product or any other components not expressly authorized and approved by HHT; (8) modification of the Product not expressly authorized and approved by HHT in writing; and/or (9) interruptions or fluctuations of electrical power supply to the Product.
- Non-HHT venting components, hearth components or other accessories used in conjunction with the Product.
- Any part of a pre-existing fireplace system in which an insert or a decorative gas appliance is installed.
- The Product's capability to heat the desired space. Information is provided to assist the consumer and the dealer in selecting the proper appliance for the application. Consideration must be given to the Product's location and configuration and environmental conditions.

This warranty is void if:

- The Product has been over-fired or operated in atmospheres contaminated by chlorine, fluorine, or other damaging chemicals. Over-firing can be identified by, but not limited to, warped plates or tubes, rust colored cast iron, bubbling, cracking and discoloration of steel or enamel finishes and cracking or spalling of refractory or cementitious materials.
- The Product is subjected to prolonged periods of dampness, condensation, ice or snow.
- There is any damage to the Product or other components due to water or weather damage which is the result of, but not limited to, improper chimney or venting installation.

LIMITATIONS OF LIABILITY:

Repair or replacement in accordance with the provisions of this warranty will be the owner's exclusive remedy for and will constitute HHT's sole obligation under this warranty, under any other warranty (express or implied), or in contract, tort or otherwise; provided, however, that if HHT is unable to provide repair or replacement in an expedient and cost effective manner, HHT may discharge all such obligations by refunding the purchase price of the Product. No employee, agent, dealer, or other person is authorized to give any warranty on behalf of HHT. TO THE EXTENT ALLOWED BY LAW, HHT MAKES NO OTHER WARRANTY, EXPRESS OR IMPLIED, INCLUDING ANY WARRANTY OF MERCHANTABILITY OR FITNESS FOR A PARTICULAR PURPOSE. HHT WILL NOT BE LIABLE FOR ANY CONSEQUENTIAL OR INCIDENTAL DAMAGES ARISING OUT OF DEFECTS IN OR USE OF THE PRODUCTS. Some states do not allow exclusions or limitation of incidental or consequential damages, so these limitations may not apply to you. This warranty gives you specific rights; you also may have other rights, which vary from state to state. The duration of any implied warranty is limited to the duration of the warranty period specified herein.

VENT FREE AND NATURAL VENT INSTRUCTIONS

These instructions are used for all configurations of the ENDULGE collection. There is specific information included in this manual for Vent Free (VF) and Natural Vent (NV) fireplaces. The specific information is indicated with special headings as shown below.

VF

VENT FREE SPECIFIC INSTRUCTIONS

If you ordered a Vent Free (VF) fireplace, all the flue gasses are expelled out the viewing opening.

NV

NATURAL VENT SPECIFIC INSTRUCTIONS

Natural Vent option is only available with Custom orders.

If you ordered a Natural Vent (NV) fireplace, some of the flue gasses are expelled up a b-vent flue pipe. This will help alleviate excess heat in the area around the fireplace.

If you have a Natural Vent fireplace you must install a b-vent flue pipe and properly vent it. The flue collar must not be left open.

TABLE OF CONTENTS

Section Description		Page
Home Owner Reference		2
LC Rating Plate & Model Number Identification		3
Outdoor Stellar Warranty		4-5
Vent Free And Natural Vent Instructions		6
Table Of Contents		7
1	Safety Information	9
	A. Safety Icon Designations	9
	B. Important Safety Considerations	9
2	Specifications	10-17
	A.1 Fireplace Dimensions - Vent Free (VF)	10
	A.2 Fireplace Dimensions - VF Refractory	11
	B.1 Fireplace Dimensions - Natural Vent (NV)	12
	B.2 Fireplace Dimensions - NV Refractory	13
	C. Clearances (VF & NV)	14-15
	D. Specifications (VF & NV)	15
	E. Installation Overview	16
	F. Fireplace Placement Requirements	16-17
3	Prepare The Fireplace	18-21
	A. Standoff Assembly	18
	B. Nailing Tabs	19
	C. Draining Hole Requirements	20
	D. Placement Against House Wall	21
4	Framing	22-24
	Important Framing Notes	22
	Wall Enclosure Rough Opening (VF & NV)	22-23
5	Non-Combustible Zones	24-25
	A. Non-Com Zone - Surrounding Area	24
	B. Finishing Materials, Mantel & Hearth	25
6	Gas Line Specifications	26-27
	A. Fuel Conversion	26
	B. Gas Pressure	26
	C. Gas Connection & Gas Line Purging	26
	D. Gas & Electric Access Locations	27
7	Venting (NV)	29
	A. Approved Venting - Natural Vent	29
	B. Vertical Terminations	29
8	Air-Intake Opening Requirements	30-31
	A. Required Air Vents	30
	B. Vent Cover Finishing Example	31
9	Electric	32-33
	A. Electric Installation Overview	32
	B. Electric Wiring Schematic	33

Section Description		Page
10	Finalizing The Installation	34-36
	A. Optional Mirror Glass Installation	34
	B. Glass Wind Guard Installation	35
	C. Installing The Media	36
	D. Flame Appearance	36
11	Finishing The Wall	37
12	Lighting & Shutdown	38-39
	A. Lighting The Fireplace	38
	B. If The Fireplace Does Not Light	39
13	Pressure Testing	40
14	Maintenance	41-43
	A. Valve & Electrical Access	41
	B.1 Internal Valve & Electrical Access	41
	B.2 External Valve & Electrical Access	42
	C. Vent System (NV)	43
	D. Glass Guard Cleaning & Replacement	43
	E. Replacement Parts List	43
Superbright LED Lights Remote Operating Instructions		44-52

THIS PAGE LEFT INTENTIONALLY BLANK

1 - SAFETY INFORMATION

This fireplace complies with ANSI Z21.97-2017(R2022)/CSA 2.41-2017(R2022) “Outdoor Decorative Gas Appliances”. When an appliance is for connection to a fixed piping system, the installation must conform with local codes or in the absence of local building codes, with the National Fuel Gas Code, ANSI Z223.1/NFPA 54 - Current Edition; Natural and Propane Installation Code, CSA B149.1; or Propane Storage and Handling Code, CSA B149.2, as applicable.

A. SAFETY ICON DESIGNATIONS

Various safety icons appear throughout this installation manual. Please familiarize yourself with the icons making sure you understand the serious consequences that may occur if ignored or of handling the products inappropriately.



IMPORTANT NOTE

This indicates additional instructions that you should consider during the installation.



DO NOT

This indicates something that you must never do.



RISK OF FIRE

This designates a danger of risk of fire or damage to property.



RISK OF EXPLOSION

This designates a danger of risk of an explosion.



HOT GLASS WARNING

This indicates danger of serious bodily injury or property damage if glass is handled while still hot.



CAUTION

This indicates danger of serious bodily injury or property damage



STOP!

This indicates notes that may include reviewing warnings on other pages throughout the manual

B. IMPORTANT SAFETY CONSIDERATIONS

- Installation and repair should be done only by a qualified service person. The appliance should be inspected by a qualified service person before use. Annual inspection by a qualified service person is required to maintain warranty. More frequent cleaning may be required due to excessive lint from carpeting, bedding materials, etc. It is imperative that control compartments, burners and circulation air passageways of the appliance be kept clean.
- Children and adults should be alerted to the hazards of high surface temperatures and should stay away to avoid burns or clothing ignition.
- Young children should be carefully supervised when they are in the same room as the appliance. Toddlers, young children and others may be susceptible to accidental contact burns. A physical barrier is recommended if there are at risk individuals in the house. To restrict access to a fireplace or stove, install an adjustable safety gate to keep toddlers, young children and other at risk individuals out of the room and away from hot surfaces.
- Clothing or other flammable material should not be placed on or near the appliance.
- Adequate accessibility clearances for servicing and proper operation must be maintained.
- This appliance must not share or be connected to a chimney flue serving any other appliance.
- Keep area around the appliance clear of combustible materials, gasoline and other flammable vapor and liquids.
- The flow of combustion and ventilation air must not be obstructed.
- Due to high temperatures the appliance should be located out of traffic and away from furniture and draperies.
- **The glass wind guard** or any part removed for servicing the appliance must be replaced prior to operating the appliance. Work should be done by a qualified service technician.
- Do not strike or slam glass assembly.
- **Clean glass guard** only when cool and only with non-abrasive cleansers.
- Do not operate this appliance with the glass/frame assembly removed, cracked or broken. Replacement of the glass assembly must only be performed by a licensed or qualified service person. **DO NOT SUBSTITUTE MATERIALS.**
- Keep burner and control compartment clean.
- Do not use this fireplace if any part has been under water. Immediately call a qualified service technician to inspect this appliance and to replace any part of the control system and any gas control which has been under water.
- **DANGER:** Under no circumstances should any solid fuel (wood, coal, paper or cardboard etc.) be used in this appliance.
- **STATE OF CA WARNING:** This product and the fuels used to operate this product (liquid propane or natural gas), and the combustion of such fuels, can expose you to chemicals including benzene, which is known to the State of California to cause cancer and reproductive harm.

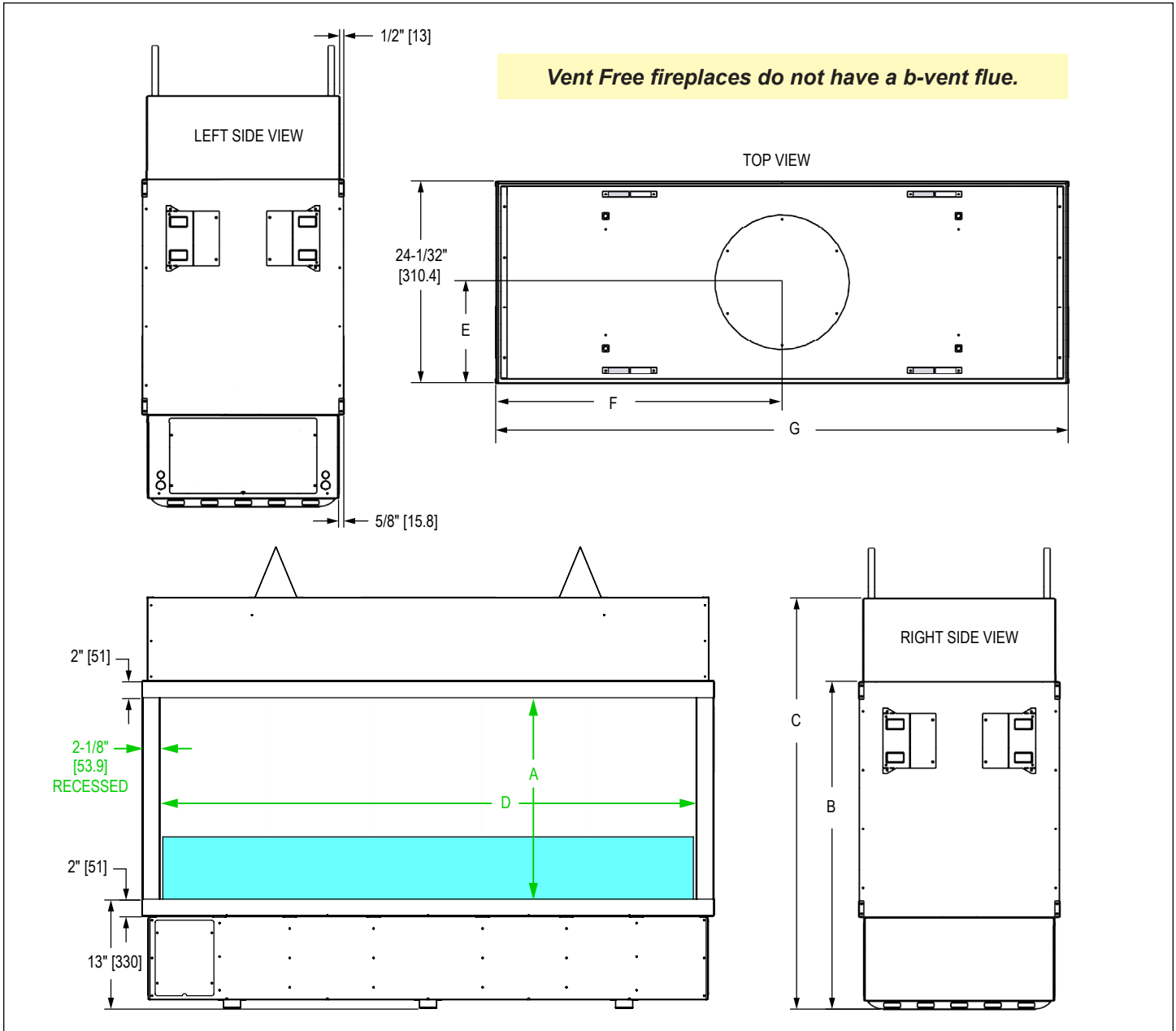
For more information go to: www.P65Warnings.ca.gov.

2 - SPECIFICATIONS

A.1 FIREPLACE DIMENSIONS - VENT FREE

Model	Weight *	DIMENSIONS: INCHES [MILLIMETERS]							
		Finishing Height	Firebox Top Height	Overall Height	Finishing Width	Finishing Width with Refractory	Edge To Center Flue 1	Edge To Center Flue 2	Overall Width
	Lbs [Kilos]	A	B	C	D	D**	E	F	G
3-ST-24-OD-OH	326 [148]	24 [610]	39-1/16 [992]	49 [1,245]	40 [1,016]	36 [915]	NV Only	NV Only	44-1/4 [1,124]
4-ST-24-OD-OH	400 [182]	24 [610]	39-1/16 [992]	49 [1,245]	52 [1,321]	48 [1,220]	NV Only	NV Only	56-1/4 [1,423]
5-ST-24-OD-OH	482 [219]	24 [610]	39-1/16 [992]	49 [1,245]	64 [1,626]	60 [1,524]	NV Only	NV Only	68-1/4 [1,733]
6-ST-24-OD-OH	556 [252]	24 [610]	39-1/16 [992]	49 [1,245]	76 [1,930]	72 [1,829]	NV Only	NV Only	80-1/4 [2,038]
7-ST-24-OD-OH	630 [286]	24 [610]	39-1/16 [992]	49 [1,245]	88 [2,235]	84 [2,134]	NV Only	NV Only	92-1/4 [2,343]
8-ST-24-OD-OH	704 [320]	24 [610]	39-1/16 [992]	49 [1,245]	100 [2,540]	96 [2,438]	NV Only	NV Only	104-1/4 [2,648]
9-ST-24-OD-OH	780 [354]	24 [610]	39-1/32 [991]	49 [1,245]	112 [2,845]	108 [2,744]	NV Only	NV Only	116-1/4 [2,953]
10-ST-24-OD-OH	878 [398]	24 [610]	39-1/32 [991]	49 [1,245]	124 [3,150]	120 [3,048]	NV Only	NV Only	128-1/4 [3,258]

* Weight is based on Vent Free models with glass media and wind guards.



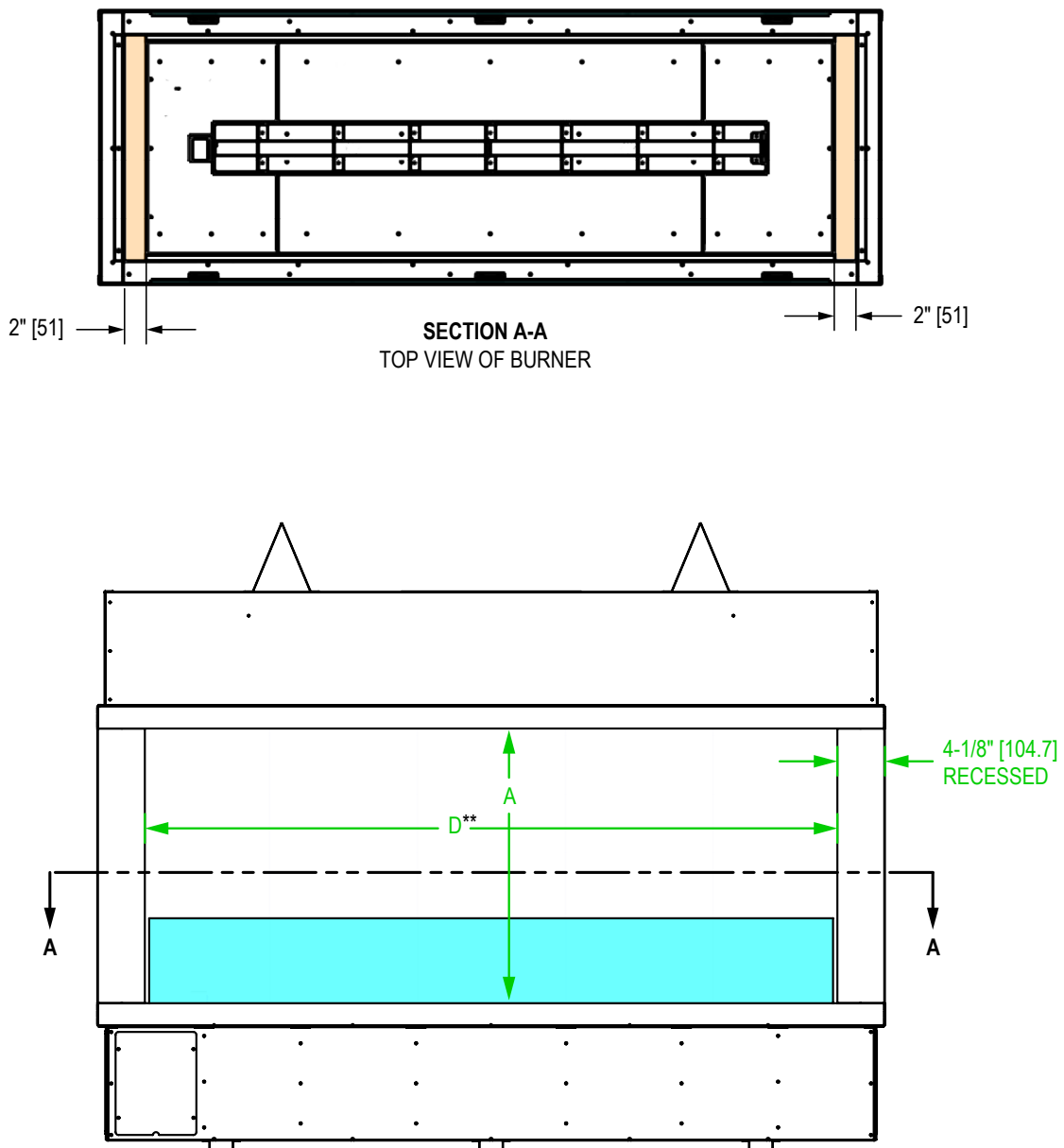
2 - SPECIFICATIONS

A.2 FIREPLACE DIMENSIONS - VENT FREE WITH NON-COMBUSTIBLE REFRACTORARY

Refractory option is only available with Custom orders.

Field Installed Refractory (Not Included)

This fireplace has been designed to accommodate up to a 2" [51] thickness maximum of fireplace approved, non-combustible materials. The material should be installed using appropriate methods based on the type of material being used. The material should never cover the perforated floor frames. These frames must be able to be removed for fireplace service.



2 - SPECIFICATIONS

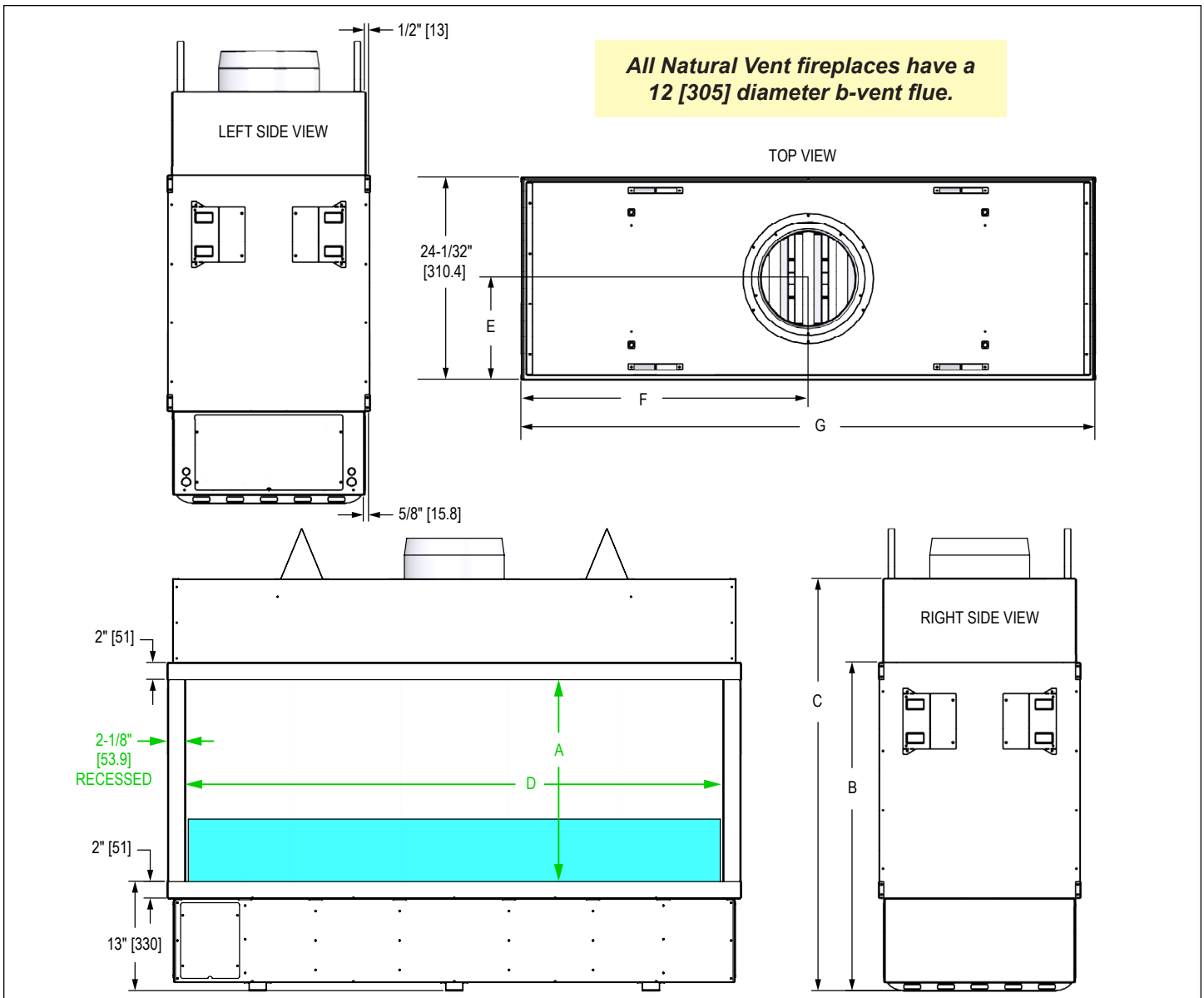
B.1 FIREPLACE DIMENSIONS - NATURAL VENT

Natural Vent option is only available with Custom orders.

DIMENSIONS: INCHES [MILLIMETERS]

Model	Weight*	Finishing Height	Firebox Top Height	Overall Height	Finishing Width	Finishing Width with Refractory	Edge To Center Flue 1	Edge To Center Flue 2	Overall Width
	Lbs [Kilos]	A	B	C	D	D**	E	F	G
3-ST-24-OD-OH	326 [148]	24 [610]	39-1/16 [992]	49 [1,245]	40 [1,016]	36 [915]	12 [305]	22-1/8 [562]	44-1/4 [1,124]
4-ST-24-OD-OH	400 [182]	24 [610]	39-1/16 [992]	49 [1,245]	52 [1,321]	48 [1,220]	12 [305]	28-1/8 [714]	56-1/4 [1,423]
5-ST-24-OD-OH	482 [219]	24 [610]	39-1/16 [992]	49 [1,245]	64 [1,626]	60 [1,524]	12 [305]	34-1/8 [867]	68-1/4 [1,733]
6-ST-24-OD-OH	556 [252]	24 [610]	39-1/16 [992]	49 [1,245]	76 [1,930]	72 [1,829]	12 [305]	40-1/8 [1,019]	80-1/4 [2,038]
7-ST-24-OD-OH	630 [286]	24 [610]	39-1/16 [992]	49 [1,245]	88 [2,235]	84 [2,134]	12 [305]	46 1/8 [1,172]	92-1/4 [2,343]
8-ST-24-OD-OH	704 [320]	24 [610]	39-1/16 [992]	49 [1,245]	100 [2,540]	96 [2,438]	12 [305]	52-1/8 [1,324]	104-1/4 [2,648]
9-ST-24-OD-OH	780 [354]	24 [610]	39-1/32 [991]	49 [1,245]	112 [2,845]	108 [2,744]	12 [305]	58-1/8 [1,476]	116-1/4 [2,953]
10-ST-24-OD-OH	878 [398]	24 [610]	39-1/32 [991]	49 [1,245]	124 [3,150]	120 [3,048]	12 [305]	64-1/8 [1,629]	128-1/4 [3,258]

* Weight is based on Vent Free models with glass media and wind guards.



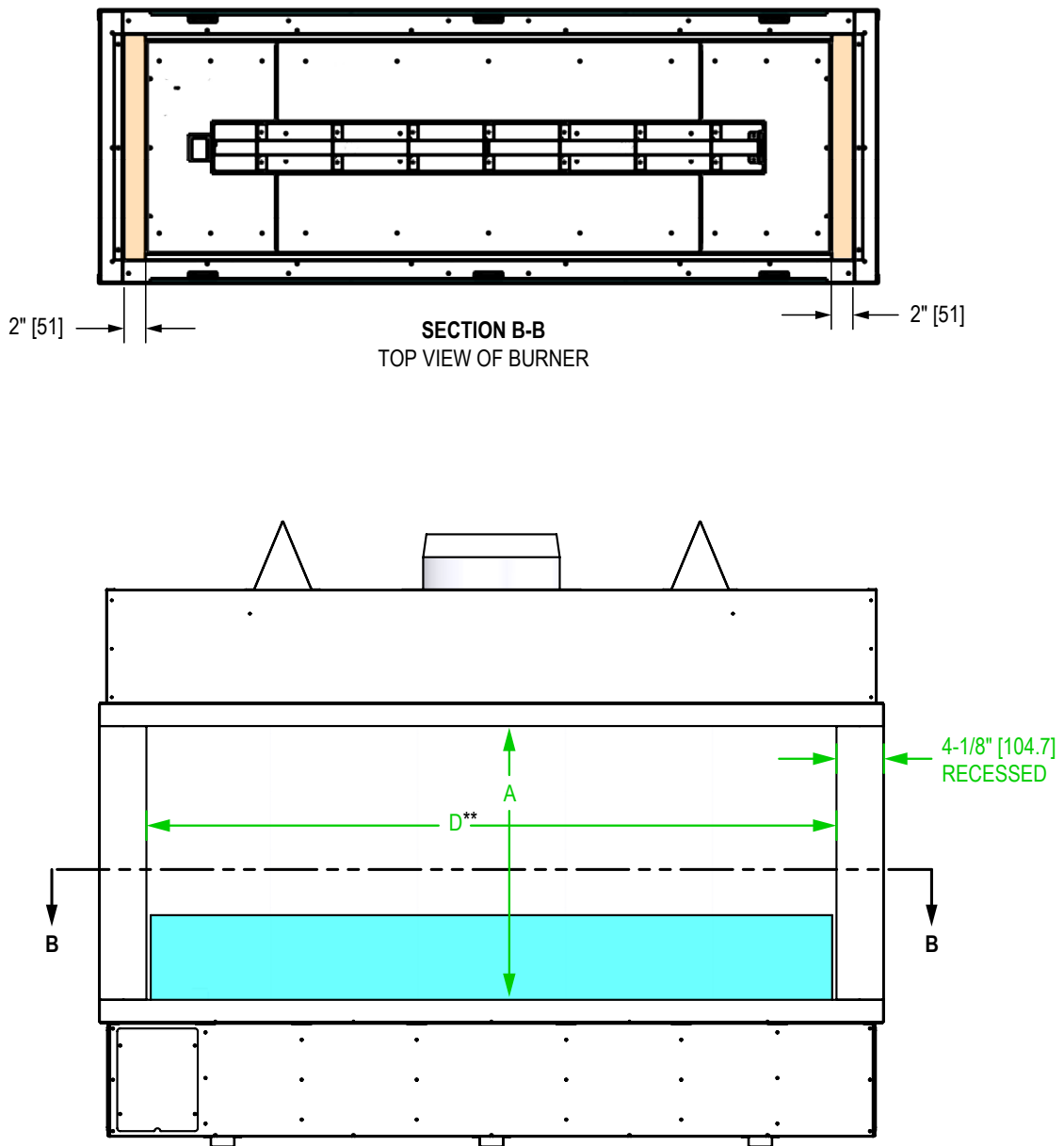
2 - SPECIFICATIONS

B.2 FIREPLACE DIMENSIONS - NATURAL VENT WITH NON-COMBUSTIBLE REFRACTOR

Refractory option is only available with Custom orders.

Field Installed Refractory (Not Included)

This fireplace has been designed to accommodate up to a 2" [51] thickness maximum of fireplace approved, non-combustible materials. The material should be installed using appropriate methods based on the type of material being used. The material should never cover the perforated floor frames. These frames must be able to be removed for fireplace service.

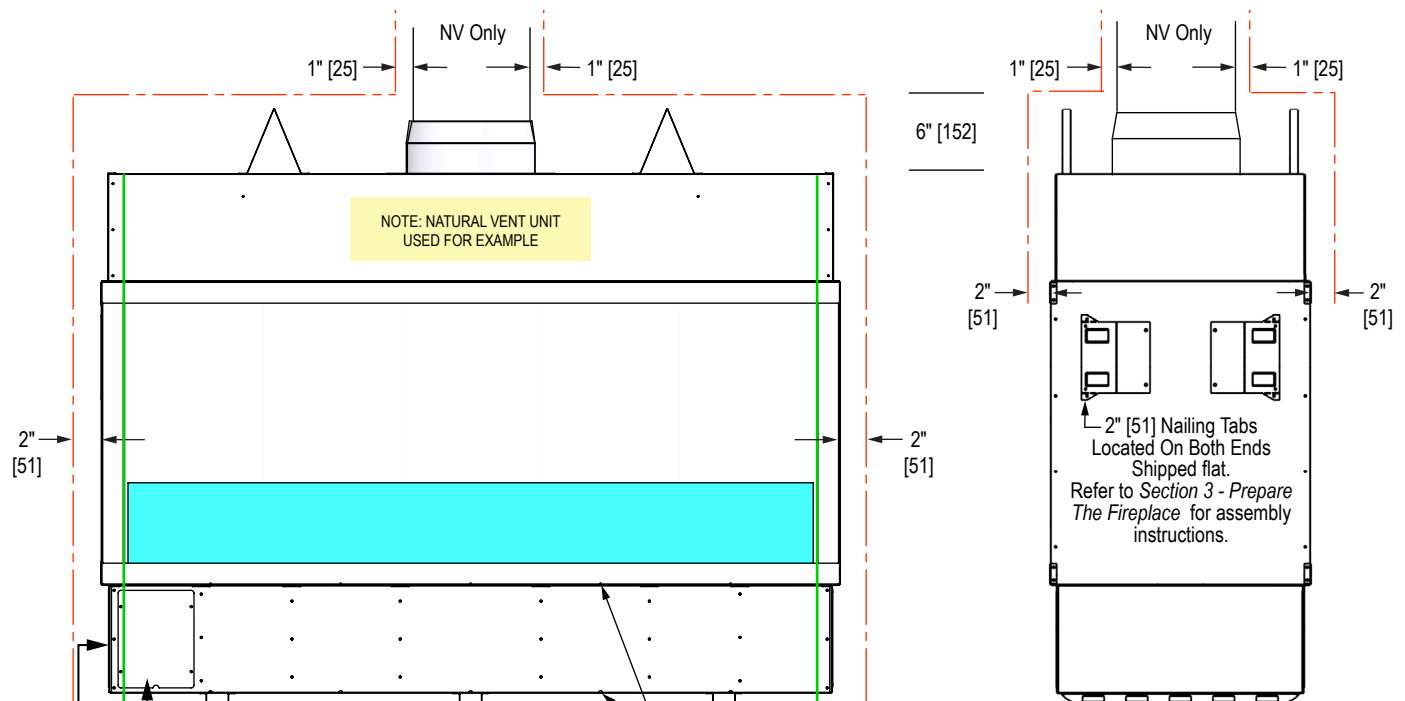
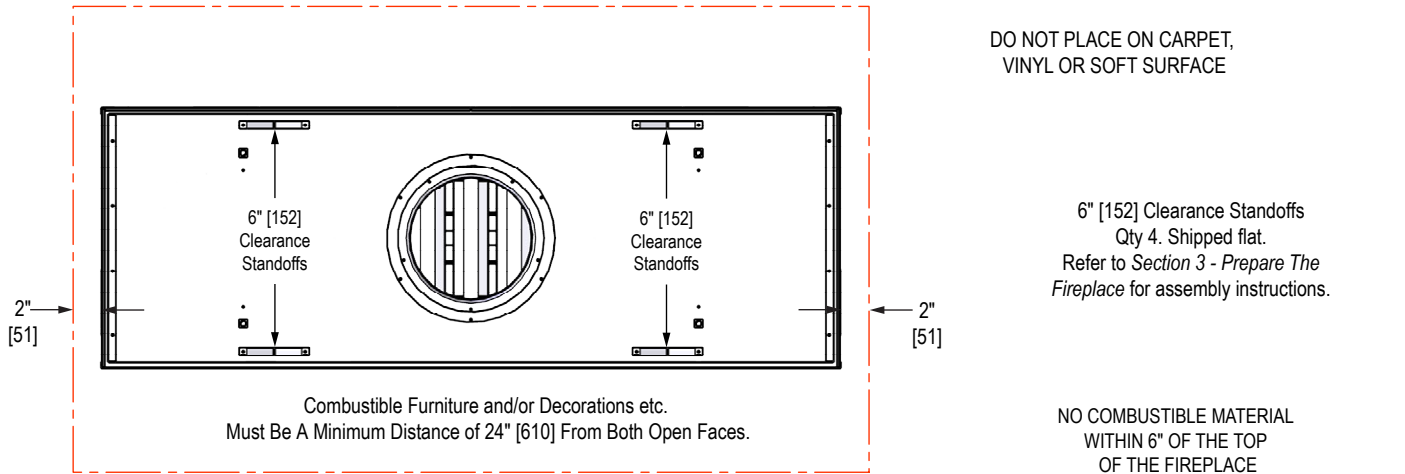


2 - SPECIFICATIONS

C. CLEARANCES TO COMBUSTIBLES (VF & NV)

CLEARANCES SHOWN ARE MINIMUM TO COMBUSTIBLES

NON-COMBUSTIBLE FRAMING AND FINISHING MATERIALS ALLOWED RIGHT UP TO THE FIREPLACE.



REQUIRED AIR VENTS
Two air-intake openings are located on one end of the fireplace. Refer to Section 8 Air-Intake and Venting for more information on locations and requirements.

Drain holes are located along the edge and surface. Holes need to be kept clear to allow for drainage. Bottom standoffs MUST stay in place. DO NOT REMOVE. Provisions need to be made to the finishing materials to prevent water from being trapped between the fireplace and the finishing materials.

Can be a recess and/or non-combustible perpendicular wall extending past the face of the fireplace on each side. The ENTIRE wall assembly must be non-combustible otherwise 24" clearance must be maintained. Refer to Section 4 & Section 5.

Dimension depends on if standard model or refractory option (customs only). Refer to Section 2 (Specifications - Dimensions) for exact measurements.

2 - SPECIFICATIONS

C. CLEARANCES TO COMBUSTIBLES (VF & NV)

From unit left & right sides	2" [51]
To flooring under fireplace	0"
Unit top to ceiling	48" [1219]
Unit side to adjacent sidewall	24" [610]



WARNING: NON-COMBUSTIBLE ZONE: USE ONLY NON-COMBUSTIBLE MATERIAL IN THIS AREA FOR ENTIRE WIDTH OF FIREPLACE. DO NOT USE WOOD, SHEETROCK, ETC., IN THIS ZONE.

Non-Combustible Materials Specifications

Material which will not ignite and burn. Such materials are those consisting entirely of steel, iron, brick, tile, concrete, slate, glass or plasters, or any combination thereof.

Materials that are reported as passing **ASTM E 136, Standard Test Method for Behavior of Materials in a Vertical Tube Furnace at 750 °C** shall be considered non-combustible.



NOTE: OTHER CLEARANCES APPLY. ALL CLEARANCES MUST BE MAINTAINED.



NOTE: The qualified installer should follow the procedure best suited for the installation.

D. SPECIFICATIONS (VF & NV)

Model #	BTU'S	Natural Gas (NG) ORIFICE	Propane (LP) ORIFICE	B-VENT (NV ONLY)
3'	55,000 (16.12 kW)	#25 (x1)	#43 (x1)	12"
4'	75,000 (21.98 kW)	#16 (x1)	#36 (x1)	12"
5'	100,000 (29.31 kW)	#25 (x2)	#43 (x2)	12"
6'	125,000 (36.63 kW)	#16 (x1), #25 (x1)	#36 (x1), #43 (x1)	12"
7'	150,000 (43.96 kW)	#16 (x2)	#36 (x2)	12"
8'	175,000 (51.29 kW)	#16 (x1), #25 (x2)	#36 (x1), #43 (x2)	12"
9'	200,000 (58.61 kW)	#16 (x2), #25 (x1)	#36 (x2), #43 (x1)	12"
10'	225,000 (65.94 kW)	#13 (x3)	#36 (x3)	12"

2 - SPECIFICATIONS

E. INSTALLATION OVERVIEW

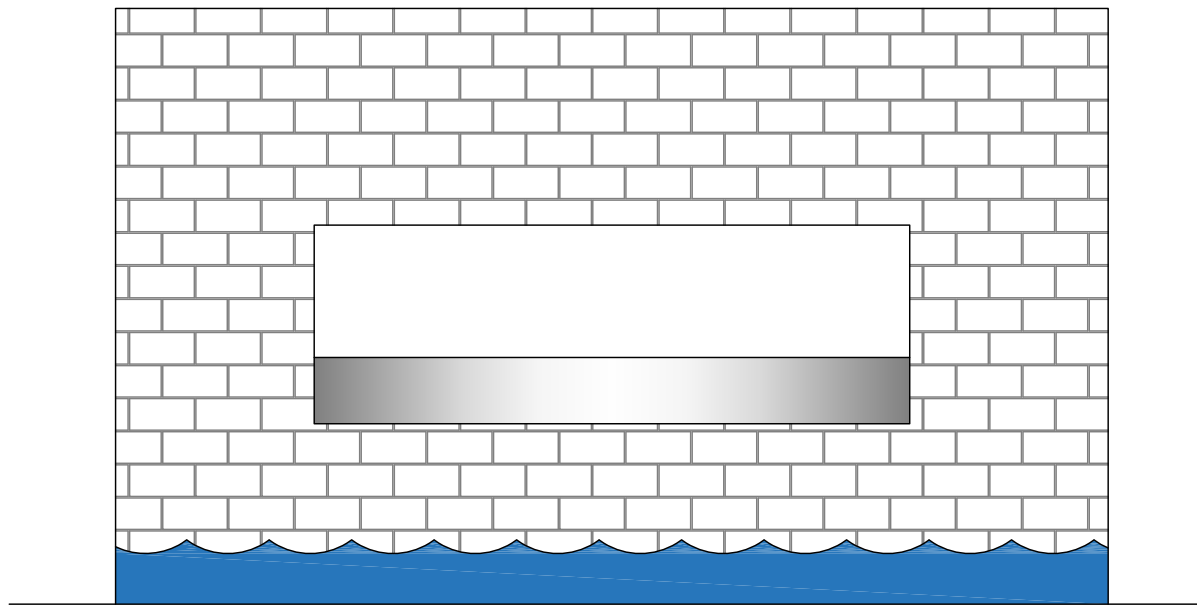
1. Set fireplace into location of installation.
2. Frame should be built AFTER the fireplace is set into place, allowing for vent installation (if used) and air-intake openings.
3. If masonry (optional) will be used, prepare foundation for the masonry load. A lintel is required to support the added weight above the fireplace.
4. Install hearth if desired.
5. Double check clearances to combustibles.
6. Complete gas line installation.
7. Complete electrical hook-up.
8. Complete venting installation (NV).
9. Install facing material, mantel and vents in the air-intake openings.
10. Install glass guard and media, and driftwood or other interior options including mirrors (if used).
11. Verify proper operation of fireplace and all components.

F. FIREPLACE PLACEMENT REQUIREMENTS

- This fireplace must be installed on a level surface capable of supporting the fireplace and venting.
- The structure holding this fireplace and it's enclosure must be adequate to safely hold the weight.

Weight is based on Vent Free models with glass media and wind guards. Does Not Include Finishing Materials.	Model	3'	4'	5'	6'	7'	8'	9'	10'
	LBS [Kilos]		326 [148]	400 [182]	482 [219]	556 [252]	630 [286]	704 [320]	780 [354]

- Proper drainage is required. See Figure 2.F1 below.



FIREPLACE ENCLOSURE MUST ALLOW FOR TRAPPED WATER TO ESCAPE

"DRAIN TO DAYLIGHT" REQUIRED

Figure 2.F1

2 - SPECIFICATIONS

F. FIREPLACE PLACEMENT REQUIREMENTS

Provisions for ventilation must be adhered to. Follow the instructions provided. In the absence of instructions, refer to the National Fuel Gas Code NASF Z223.1/NFPA 54 or local codes. Refer to Figures 2.F2-2.F4.

FIGURE 2.F1:

The fireplace is allowed to be installed in an enclosure with a roof overhead and two walls either parallel or perpendicular to each other.

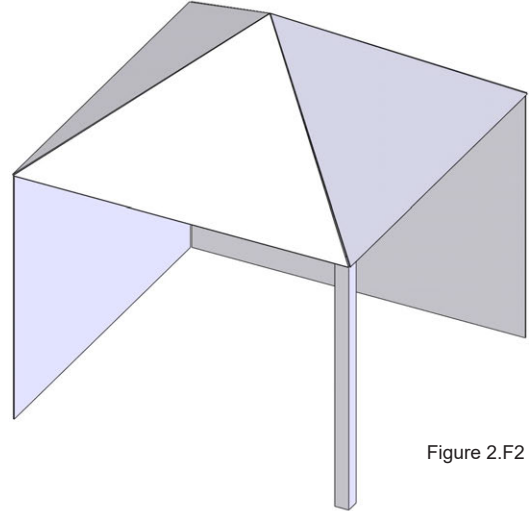


Figure 2.F2

FIGURE 2.F3:

If the fireplace is installed in an enclosure with a roof overhead and three side walls, then a minimum of 30% of the total area of the walls must be permanently open. If these openings are covered with screen, then 50% of the total area of the walls must be permanently open.

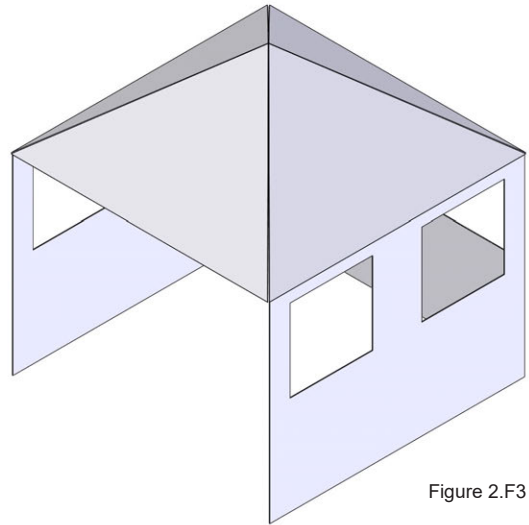


Figure 2.F3

FIGURE 2.F4:

If the fireplace is installed in an enclosure with no roof such as a balcony, then a minimum of 25% of the total wall area must be completely open. In this scenario, a screen is considered open then.

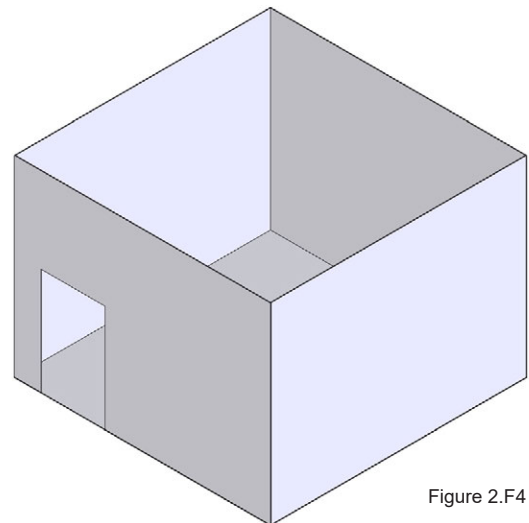


Figure 2.F4

3 - PREPARE THE FIREPLACE

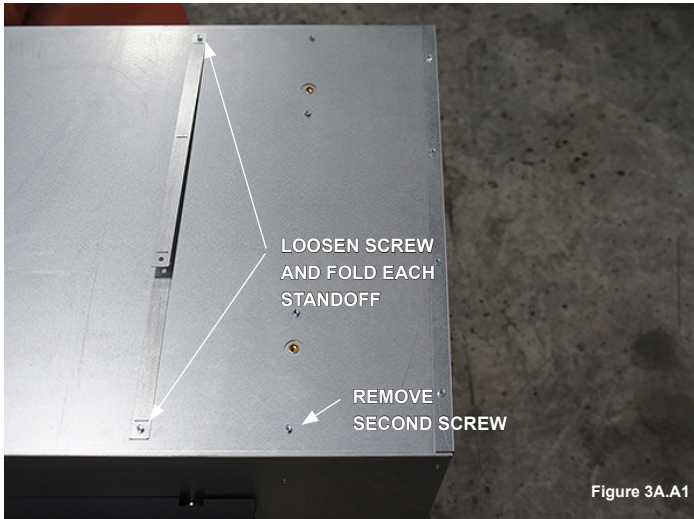


CAUTION: FIREPLACE IS NOT LOAD-BEARING.



NOTE: OTHER CLEARANCES APPLY. ALL CLEARANCES MUST BE MAINTAINED.

A. STANDOFF ASSEMBLY

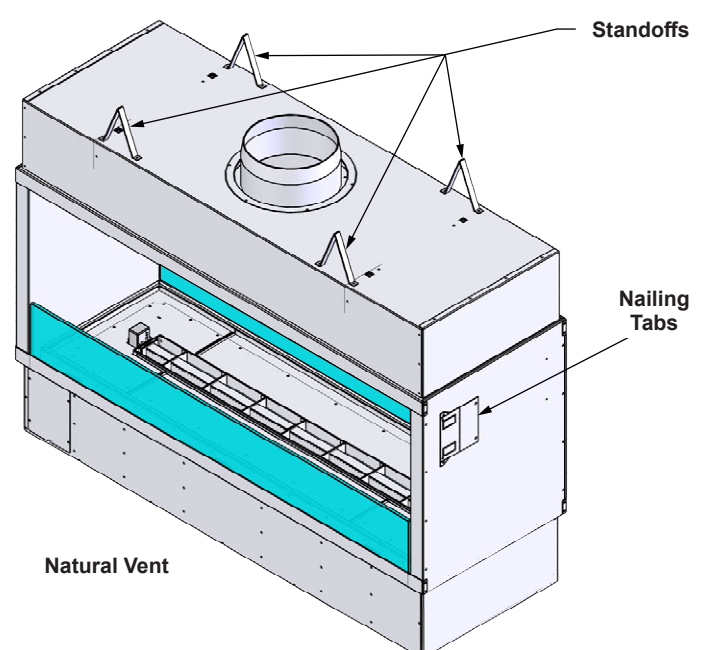
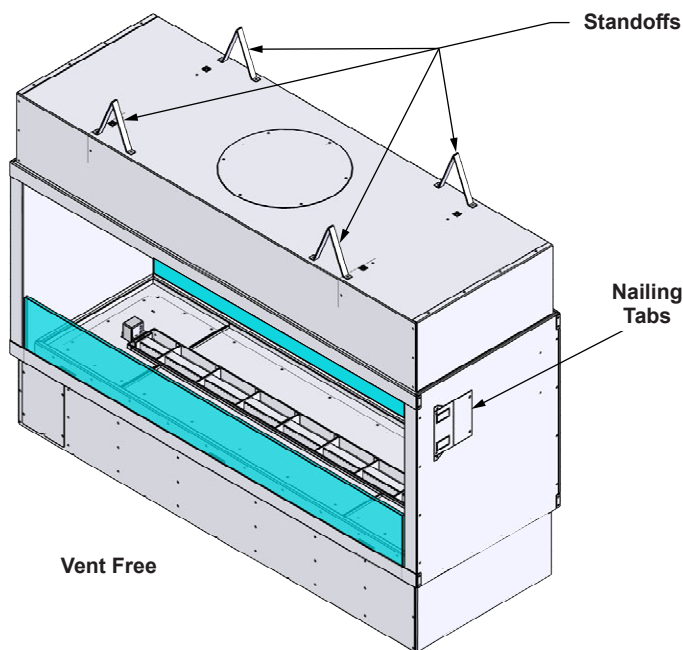


STEP 1: Refer to Figure 3A.A1

The standoffs will be shipped in a flat state placed on the firebox top. Locate the standoffs and loosen the screws holding them in place.

STEP 2: Refer to Figure 3A.A2

Fold the center of the standoff up and both ends out at the perforated lines. Using Figure 3A.A2 for reference, locate the second pre-installed screw on the firebox top at each standoff location. Remove the screw, pivot the folded standoff into location and re-install the screw to secure the standoff. Tighten up the screw that was loosened in Step 1.



3 - PREPARE THE FIREPLACE

B. NAILING TABS



Figure 3B.1

STEP 1: Refer to Figure 3B.1

The nailing tabs will be shipped in a flat state placed on the firebox sides. Locate the nailing tabs and remove the screws holding them in place.



Figure 3B.2

STEP 2: Refer to Figure 3B.2

Bend the two (2) small tabs out on each nailing tabs at the perforated lines. Using Figure 3A.3 for reference, locate the pre-drilled holes on the firebox side each nailing tabs will be placed at.



Figure 3B.3

STEP 3: Refer to Figure 3B.3 & Figure 3B.4

Set each nailing tab in place and secure using two (2) screws each. Bend the nailing tabs out from fireplace at the remaining perforated line.



Figure 3B.4



Figure 3B.5

The nailing tabs will ensure the 2" [51] minimum clearance is kept to combustible framing. Refer to Figure 3B.5

Depending on your installation and how you frame it out, you may not use the provided nailing tabs.

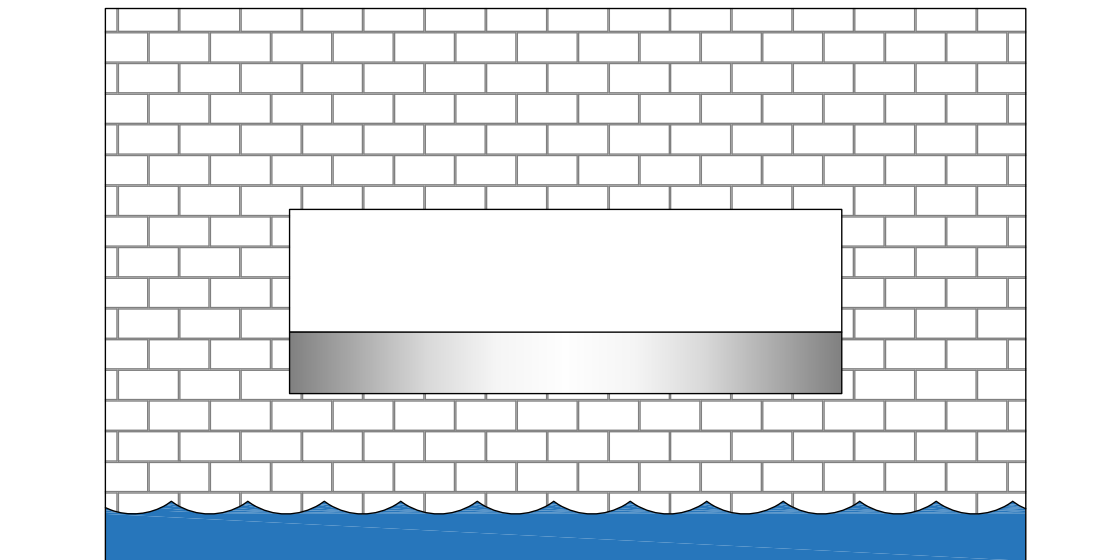
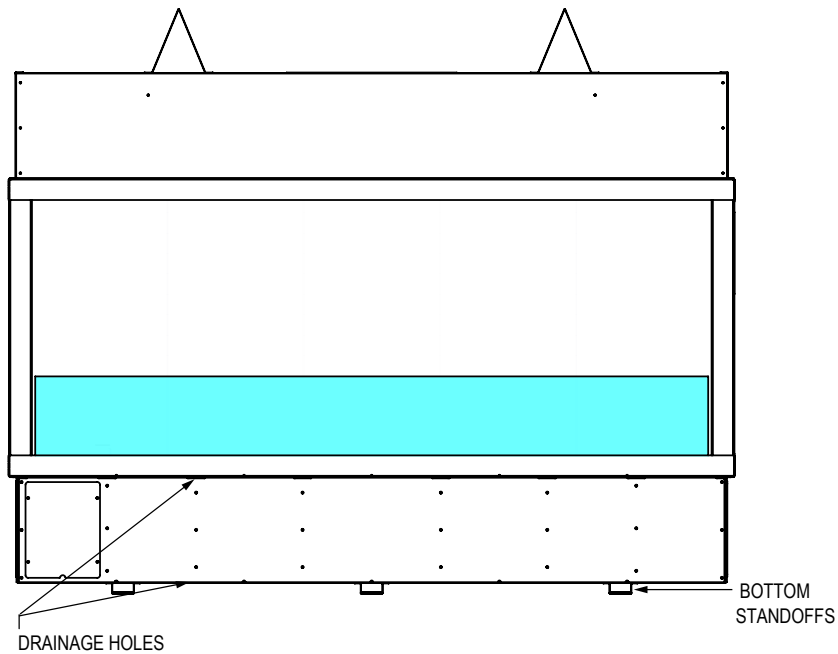
3 - PREPARE THE FIREPLACE

C. DRAINAGE HOLE REQUIREMENTS

Drainage holes are located along the edge and surface on the base of the fireplace. Holes need to be kept clear to allow for draining.

1" [25] Bottom standoffs MUST stay in place. DO NOT REMOVE.

Provisions need to be made to the finishing materials to prevent water from being trapped between the fireplace and the finishing materials.



FIREPLACE ENCLOSURE MUST ALLOW FOR TRAPPED WATER TO ESCAPE

"DRAIN TO DAYLIGHT" REQUIRED

3 - PREPARE THE FIREPLACE

D. PLACEMENT AGAINST HOUSE WALL

This outdoor appliance will shed moderate amounts of water, but is not waterproof.

This appliance must be enclosed or covered with non-combustible finish material and all joints sealed to prevent water infiltration.

The firebox will not perform as an exterior wall. Moisture penetration must be considered for construction that places the appliance in structure walls or on moisture sensitive surfaces.

When installed on exterior walls: Hearth & Home Technologies recommends that the chase be constructed outside the structure's weather envelop. Where the platform meets the wall, use a flashing detail similar to that required for attached decks. Chase platforms, including hearths, should slope away from the structure at 1/8 in. to 1/4 in. per foot. The appliance can be shimmed level.

Water Drainage: The appliance is designed to operate outdoors experiencing rain and other sources of moisture that will enter the firebox. The appliance has built-in drain holes in the base which will allow moisture to pass through the bottom of the enclosure. When constructing the enclosure, the installer must provide a means of draining water from under the appliance and out of the structure. This can be achieved by properly positioned drain holes, slots or other means to allow water to exit at the lowest grade of the structure. Choosing the location of the appliance is also important so that an area that may experience excessive water flow or standing water is avoided. In some cases a drain pan is needed to ensure proper drainage. This can be constructed from a corrosion resistant metal, or suitable material for outdoor use with a water resistant membrane. A slope of 1/4" per foot toward the drain ports of the structure is recommended.

4 - FRAMING



NOTE: Framing dimensions should allow for wall covering thickness and fireplace facing materials. When using a hearth, adjust rough opening size as necessary to maintain at least minimum clearance requirements.



CAUTION: Install fireplace on metal, concrete or hard wood surface extending the full width and depth of fireplace.



CAUTION: Vent cap location must be in compliance with guidelines in *Section 8 (Venting)* of this manual.

If masonry is to be used (optional), prepare the necessary foundation for the masonry load. When masonry construction is being used, a lintel must be used over top of fireplace to support the added weight. Build hearth to desired size and height. If a hearth extension is desired, combustible material may be used.



NOTE: REFER TO DIMENSIONS SECTION FOR ALLOWABLE FINISHING DIMENSIONS REQUIRED. FINISHING MATERIALS MUST NOT OVERLAP THE DIMENSIONS HIGHLIGHTED IN GREEN FOUND IN THE SPECIFICATIONS DIMENSIONS SCHEMATIC. NEVER COVER THE VIEWING AREA WITH FINISHING MATERIALS.



NOTE: DO NOT PIERCE THE 2" [51] BAND BELOW THE VIEWING AREA AND ANY SIDES ADJACENT THE VIEWING AREA WITH SCREWS, RIVETS, ETC.

IMPORTANT FRAMING NOTES:

THE FIREPLACE IS NOT LOAD-BEARING

IT IS RECOMMENDED TO SET THE FIREPLACE INTO PLACE PRIOR TO FRAMING.

FRAMING DIMENSIONS ASSUMING 1/2" [13] BACKER BOARD USED.

THESE DIMENSIONS REPRESENT THE FRAMING DIMENSIONS FOR COMBUSTIBLE MATERIAL.

NON-COMBUSTIBLE FRAMING AND FINISHING MATERIALS MAY BE USED WITHIN THESE DIMENSIONS RIGHT UP TO THE UNIT.

NO COMBUSTIBLE MATERIAL WITHIN 6" [152] OF THE TOP OF THE FIREPLACE.

NO COMBUSTIBLE MATERIAL WITHIN 2" [51] OF THE SIDES, BACK AND FRONT OF THE FIREPLACE.

COMBUSTIBLE MATERIAL SHALL NOT BE PLACED DIRECTLY ON THE FACE OF THE FIREPLACE, TOP AND SIDES.

STEEL SURFACE MAY BE COVERED WITH NON-COMBUSTIBLE FINISHING MATERIAL.

1" CLEARANCE TO THE B-VENT MUST BE MAINTAINED (NV).

WALL ENCLOSURE ROUGH OPENING (VF & NV)



NOTE: Framing dimensions should allow for wall covering thickness and fireplace facing materials. When using a hearth, adjust rough opening size as necessary to maintain at least minimum clearance requirements.

4 - FRAMING

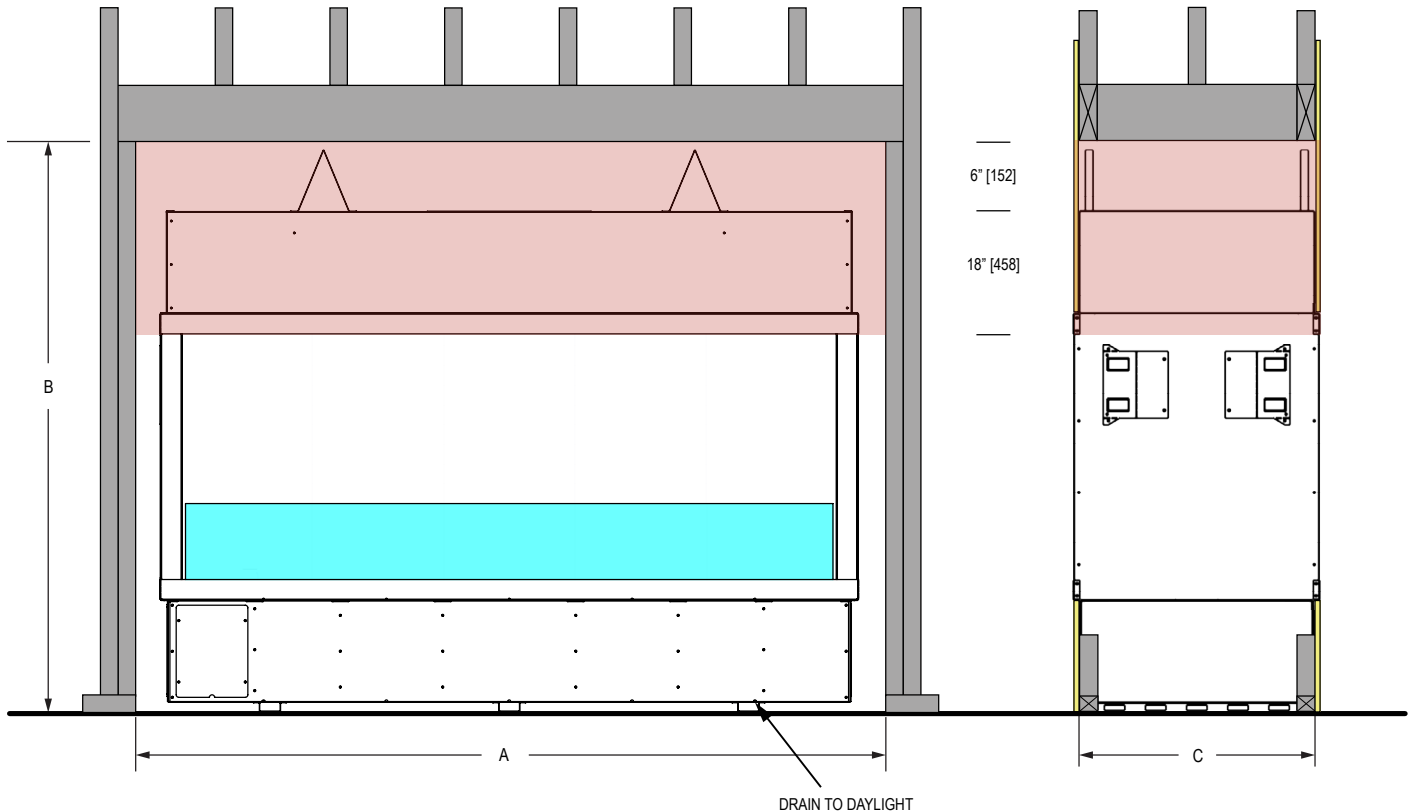
VENT FREE & NATURAL VENT	ACTUAL Width	FRAMING Width	ACTUAL Height	FRAMING Height	ACTUAL Depth	FRAMING Depth
MODEL		A		B		C
3-ST-24-OD-OH	44-1/4 [1,124]	48-1/4 [1,226]	49 [1,245]	55 [1,398]	24-1/32 [610]	23-1/32 [585]
4-ST-24-OD-OH	56-1/4 [1,423]	60-1/4 [1,530]	49 [1,245]	55 [1,398]	24-1/32 [610]	23-1/32 [585]
5-ST-24-OD-OH	68-1/4 [1,733]	72-1/4 [1,835]	49 [1,245]	55 [1,398]	24-1/32 [610]	23-1/32 [585]
6-ST-24-OD-OH	80-1/4 [2,038]	84-1/4 [2,140]	49 [1,245]	55 [1,398]	24-1/32 [610]	23-1/32 [585]
7-ST-24-OD-OH	92-1/4 [2,343]	96-1/4 [2,445]	49 [1,245]	55 [1,398]	24-1/32 [610]	23-1/32 [585]
8-ST-24-OD-OH	104-1/4 [2,648]	108-1/4 [2,750]	49 [1,245]	55 [1,398]	24-1/32 [610]	23-1/32 [585]
9-ST-24-OD-OH	116-1/4 [2,953]	120-1/4 [3,054]	49 [1,245]	55 [1,398]	24-1/32 [610]	23-1/32 [585]
10-ST-24-OD-OH	128-1/4 [3,258]	132-1/4 [3,359]	49 [1,245]	55 [1,398]	24-1/32 [610]	23-1/32 [585]

CLEARANCES SHOWN ARE MINIMUM TO COMBUSTIBLES.
NON-COMBUSTIBLE FRAMING AND FINISHING MATERIALS ALLOWED
RIGHT UP TO THE FIREPLACE.

NO COMBUSTIBLE MATERIAL
WITHIN 6" [152] OF THE TOP OR SIDES
OF THE FIREPLACE.

NON-COMBUSTIBLE
FINISHING MATERIAL ONLY FOR
18" [458] ABOVE FIREPLACE OPENING

Framing dimensions assume 1/2" [13]
non-combustible structural backer is used
above and below open faces of fireplace.



IMPORTANT FRAMING CONSIDERATIONS:

- No combustible framing or finishing materials within 6" [152] of the top and 2" [51] of the sides of the fireplace.
- Combustible materials must not be placed directly on the face of the fireplace sides.
- Make considerations in the finishing for access to the electrical and gas components for later service needs, for the drainage holes on the face of the fireplace, and for the air-intake access openings on each side of the fireplace.

*****DRAIN TO DAYLIGHT*****

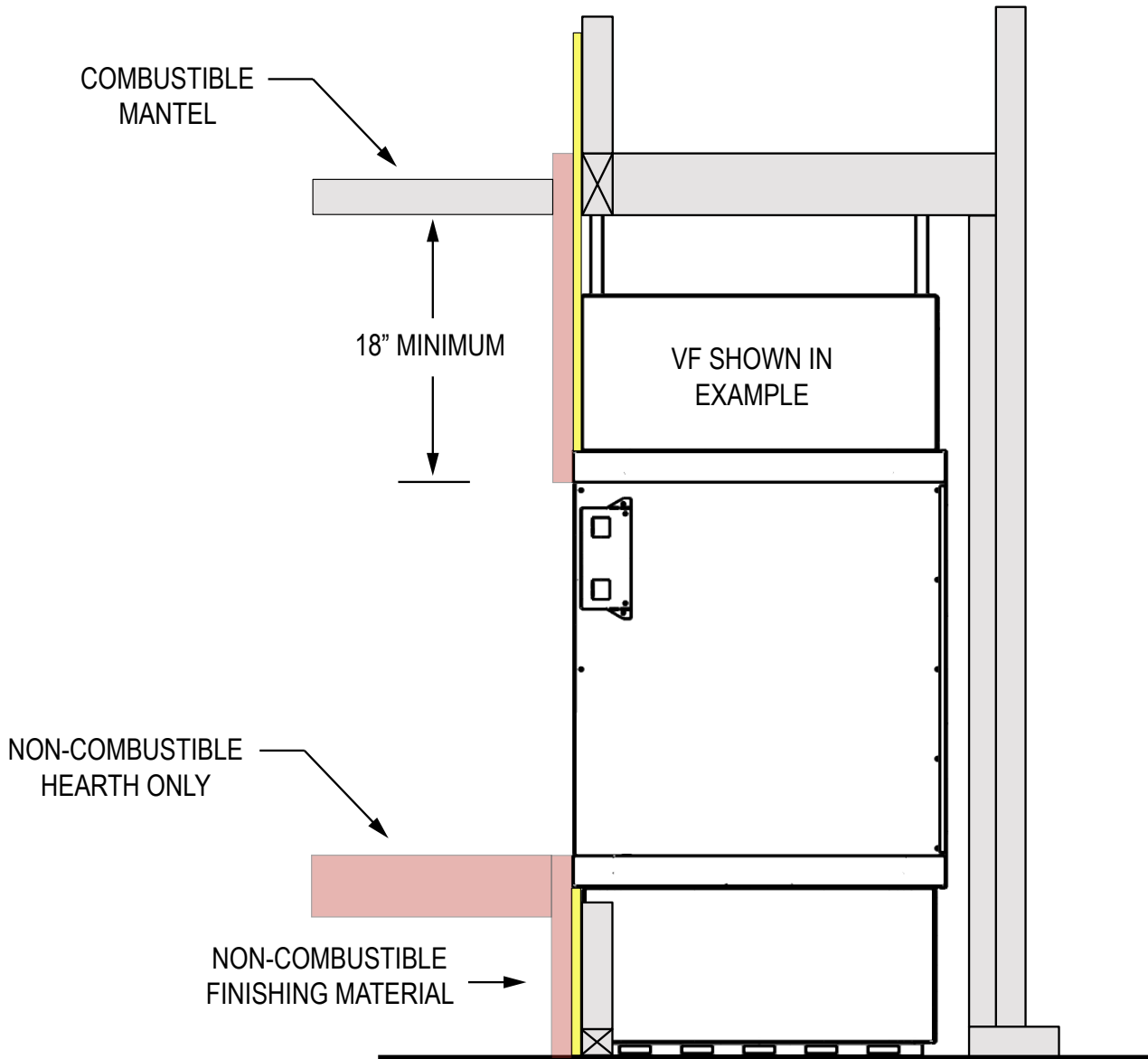
5 - NON-COMBUSTIBLE ZONES

B. NON-COMBUSTIBLE ZONE - FINISHING MATERIALS, MANTEL & HEARTH

IMPORTANT: Non-combustible zone requirements apply to both open face sides of see through fireplaces.

NON-COMBUSTIBLE FINISHING MATERIAL ONLY FOR 18" ABOVE FIREPLACE OPENING

Non-combustible structural backer used.



COMBUSTIBLE MATERIAL SHALL NOT BE PLACED DIRECTLY ON THE FACE OF THE FIREPLACE, TOP AND SIDES.
STEEL SURFACE MAY BE COVERED WITH NON-COMBUSTIBLE FINISHING MATERIAL.
COMBUSTIBLE PROJECTIONS (HEARTH) SHALL BE 13" [330] MINIMUM BELOW OPENING EDGE

6 - GAS LINE SPECIFICATIONS

This fireplace is manufactured for use with Natural Gas or Propane.



WARNING: Risk of Fire! Risk of Explosion! Risk of Asphyxiation!



Follow all instructions and warnings for installing and servicing gas line.

- Gas line installation and service must be performed by a qualified installer or licensed plumber in accordance with all applicable codes for the installation location (NFPA 54 / ANSI Z223.1, the current International Fuel Gas Code, or CAN/CSA B149 in Canada) (In the Commonwealth of Massachusetts installation must be performed by a licensed plumber or gas fitter).
- Check all fittings and connections by means of a listed combustible gas detector, a noncorrosive leak detection fluid, or other approved leak detection method. **DO NOT** use open flame.



A. FUEL CONVERSION

- Make sure the appliance is compatible with available gas types.
- Conversions must be made by a qualified service technician using Hearth & Home Technologies specified and approved parts.

B. GAS PRESSURE

- Install pressure regulator upstream of gas valve if line inlet pressure exceeds 1/2 PSIG.
- Recommended inlet pressure for optimal appliance performance: 7.0 in. w.c. (NG) 12.0 in. w.c. (Propane).
- Pressure requirements when in operation are:

GAS LINE CONNECTION	Propane	NG
MINIMUM INLET GAS PRESSURE	11.0 inches W.C. (recommended)	7.0 inches W.C. (recommended)
MAXIMUM INLET GAS PRESSURE	14.0 inches W.C.	9.0 inches W.C.
MANIFOLD PRESSURE (HI)	10.0 inches W.C.	3.5 inches W.C.
ORIFICE SIZE	See Specifications Chart in Section 2.D	See Specifications Chart in Section 2.D
INPUT BTU/HR	See Specifications Chart in Section 2.D	See Specifications Chart in Section 2.D

NOTE: A listed 1/2 in. or 3/4 in. T-handle manual shut-off ball valve and flexible gas connector are connected to the 1/2 in. or 3/4 in. control valve inlet.

If substituting for these components, please consult local codes for compliance.

- Verify inlet pressure is within specified range, including when other household gas appliances are operating.

C. GAS CONNECTION AND GAS LINE PURGING



WARNING: Risk of Fire! Risk of Explosion!

Gas buildup during line connection and purging could ignite.

- Support gas control when attaching pipe to prevent bending gas line.
- Gas line installation and purging of the gas fuel line **MUST** be performed by a qualified service technician or a licensed plumber in accordance with the applicable gas code for the installation location (NFPA 54 / ANSI Z223.1, the current International Fuel Gas Code, or CAN/CSA B149 in Canada).
- Use a listed combustible gas detector, a noncorrosive leak detection fluid, or other approved leak detection method to check all fittings and connections for gas leaks before lighting the appliance.
- Ensure ventilation.
- Eliminate ignition sources, such as sparks or open flames.



- Refer to Section 6.D for location of gas line access in appliance.
- Pipe incoming gas line into valve compartment.
- Ensure that gas line does not come in contact with outer wrap of the appliance. Follow local codes.
- Connect incoming gas line to the 1/2 in. or 3/4 in. NPT connection on manual shutoff valve.
- A small amount of air will be in the gas supply line and must be purged. Light the appliance to allow air to purge through the pilot assembly.

6 - GAS LINE SPECIFICATIONS



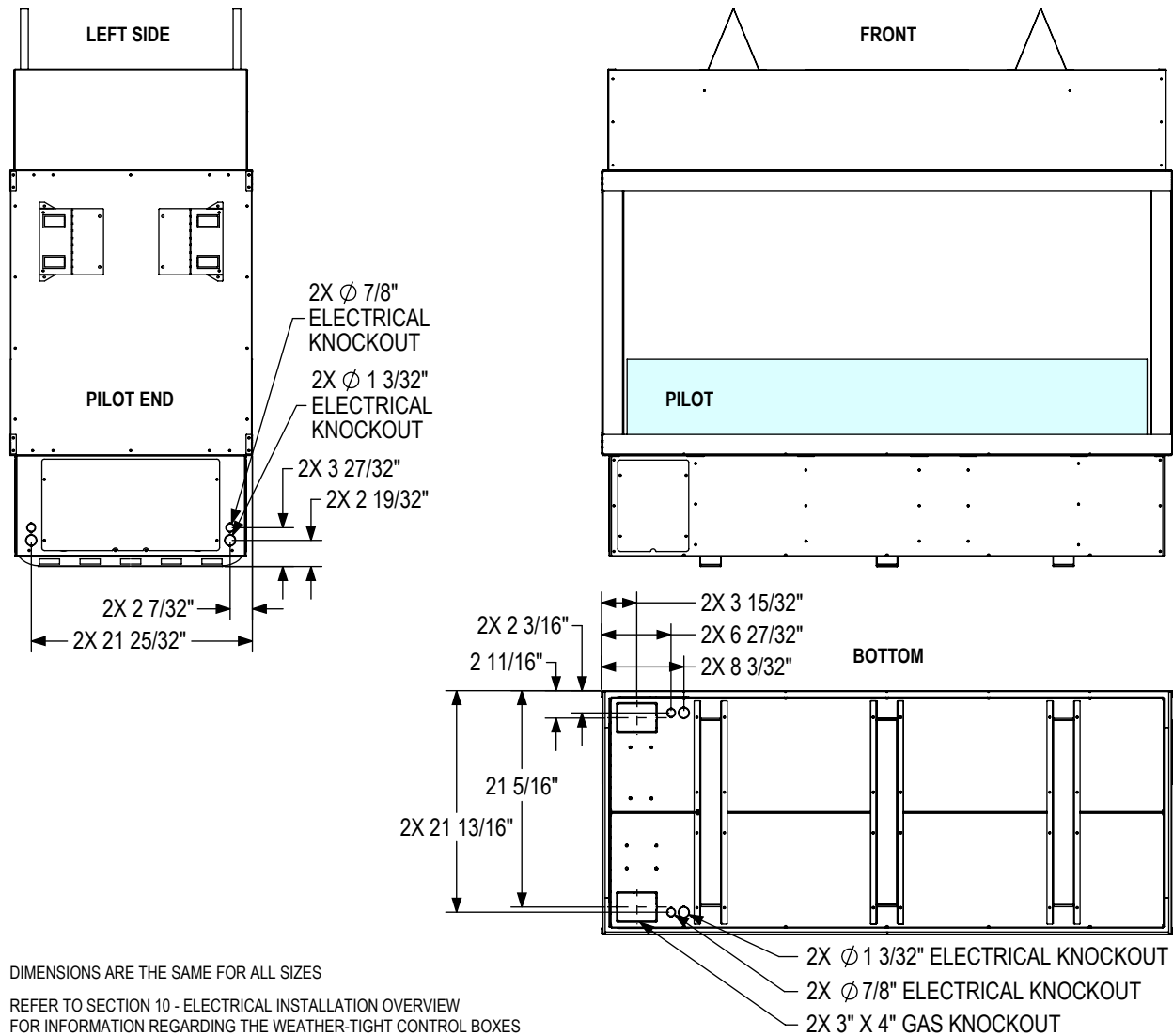
NOTE: The appliance and its individual shutoff valve must be disconnected from the gas supply piping system during any pressure testing of that system at pressures in excess of 1/2 PSIG (14 in. w.c. / 3.5 kPa).

NOTE: The appliance must be isolated from the gas supply piping system by closing its individual manual shut-off valve during any pressure testing of the gas line at test pressures equal to or less than 1/2 PSIG (14 in. w.c. / 3.5 kPa).



NOTE: For high altitude installations, consult Stellar by Heat&Glo directly for proper rating methods.

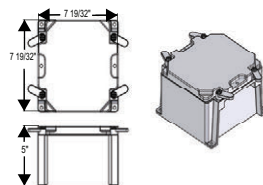
D. GAS & ELECTRIC ACCESS LOCATIONS



WEATHERTIGHT CONTROL BOXES: DO NOT MOUNT IN A LOCATION WHERE THE BOX MAY FLOOD

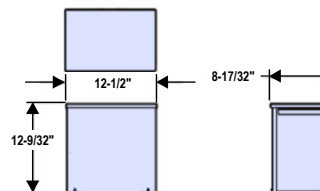
FIREPLACE SIZES 3' - 7'

Width: 7-19/32"
Height: 5"
Depth: 7-19/32"
Wire harness not included.



FIREPLACE SIZES 8' AND ABOVE

Width: 12-1/2"
Height: 12-9/32"
Depth: 8-17/32"
Wire harness not included.



THIS PAGE LEFT INTENTIONALLY BLANK

7 - VENTING

VENT FREE

If you ordered a vent free fireplace, all the flue gasses are expelled out the viewing opening.

Natural Vent option is only available with Custom orders.

NATURAL VENT

If you ordered a natural vent fireplace, some of the flue gasses are expelled up a b-vent flue pipe. This will help alleviate excess heat in the area around the fireplace.

If you have a natural vent fireplace you must install a b-vent flue pipe and properly vent it. The flue collar must not be left open.

A. APPROVED VENTING - NATURAL VENT

VENTING: This fireplace is not powervented.

Requires 12" B-vent. Use an appropriate termination cap

Maximum Vent Run: No requirements

Maximum Elbows: The vent run may have up to qty 2, 45 degree elbows.

Termination: Horizontal termination is not permitted. The termination must maintain vertical orientation.

B. VERTICAL TERMINATIONS

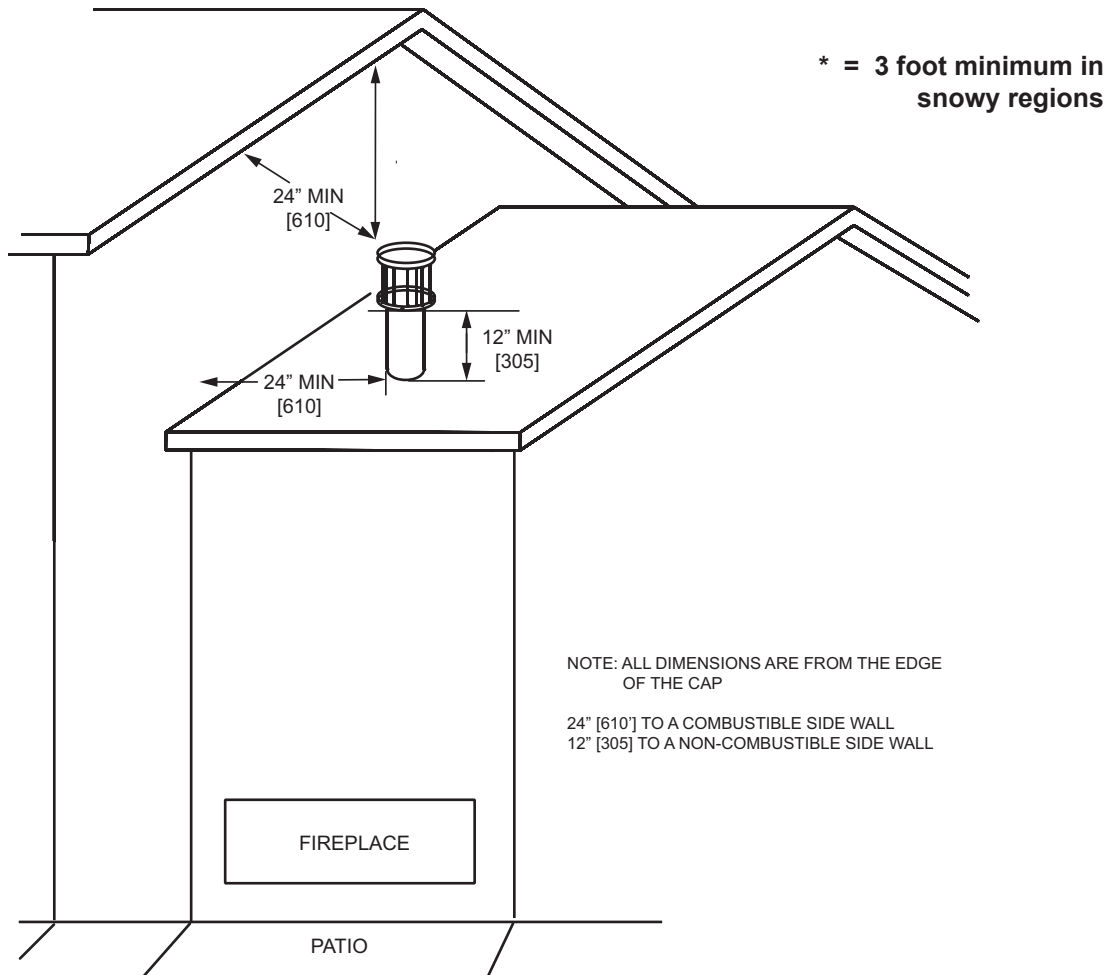
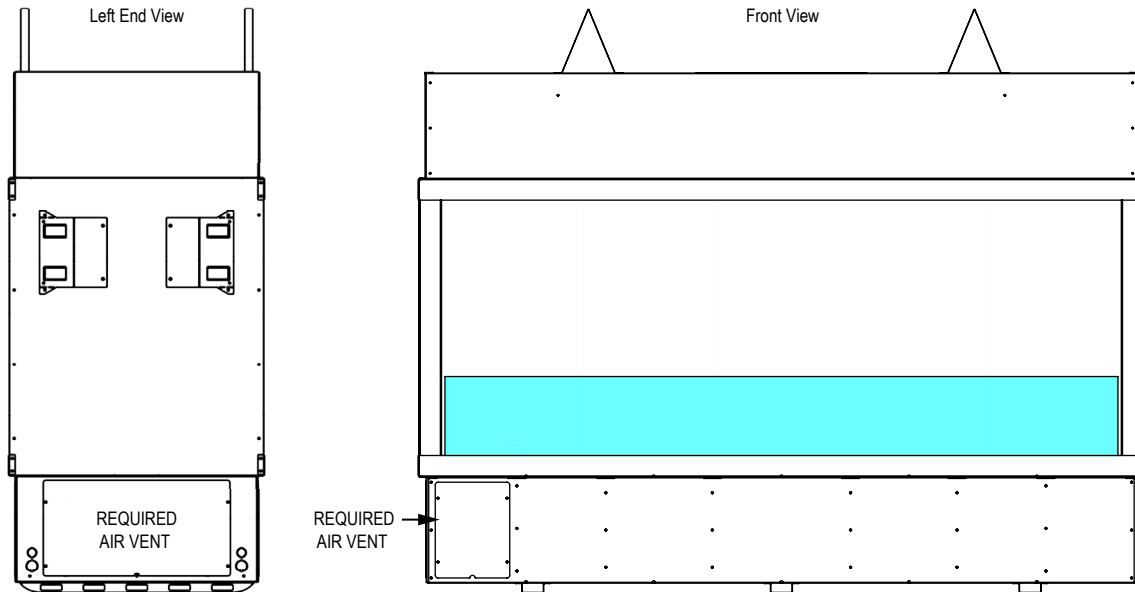


Figure 7B

8 - AIR-INTAKE OPENING REQUIREMENTS

A. REQUIRED AIR VENTS



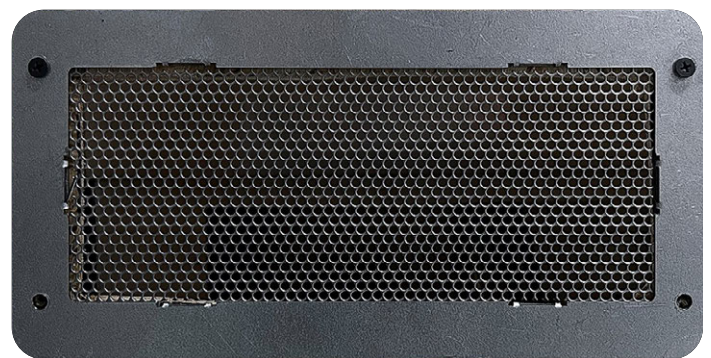
AIR INTAKE:

There are perforated air-intake openings on the base of the fireplace; located on the valve end of the fireplace.

The perforated air-intake openings provide passive air movement to help keep the valve cool. The air-intake grills/vent cover allow air into the finishing cavity around the fireplace.

They are required to remain clear of obstruction at all times. Air intake grills/cover may be 12" x 6" baseboard registers.

If another option is used the free area opening must be a minimum of 24 square inches and 2 are required.



Example of 12" x 6" vent cover.

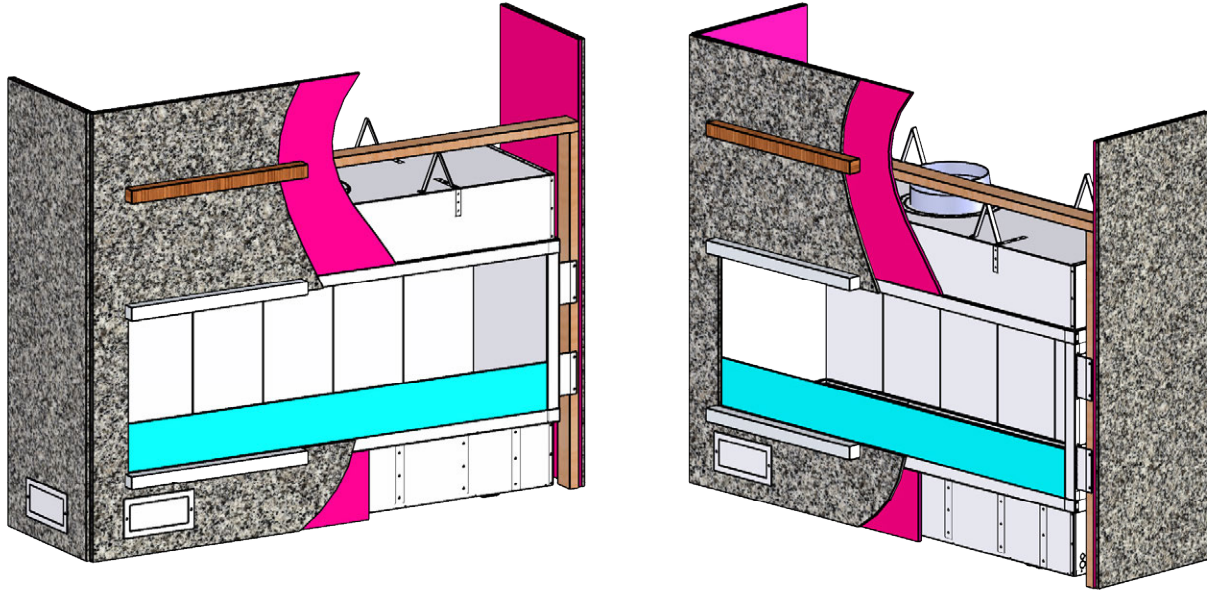
8 - AIR-INTAKE OPENING REQUIREMENTS

B. AIR-INTAKE VENT COVER FINISHING EXAMPLE

FIGURE 8.B

Example features both air-intake grilles located on the valve-end of the fireplace. One on the end, one on the front.

SINGLE SIDED EXAMPLE: FINISHING REQUIREMENTS
APPLY TO EACH OPEN FACE OF THE FIREPLACE



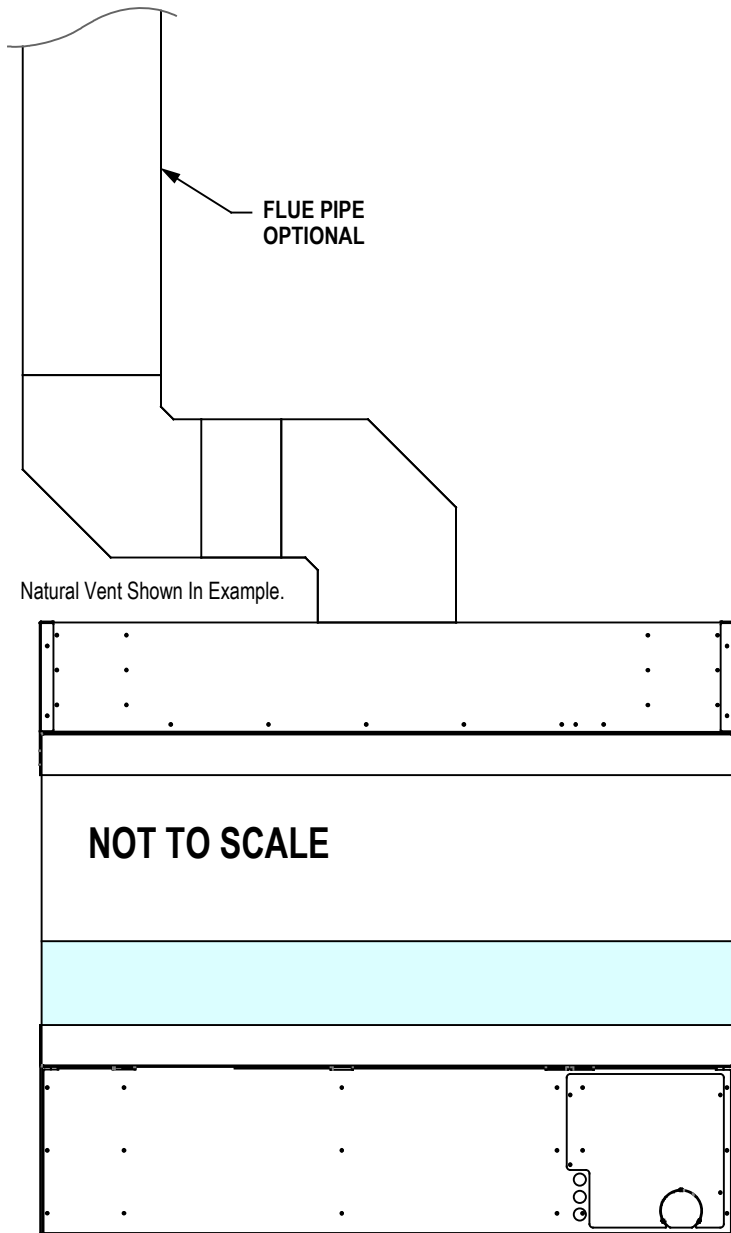
9 - ELECTRIC

A. ELECTRICAL INSTALLATION OVERVIEW



NOTE: The appliance when installed, must be electrically grounded in accordance with local codes, or in the absence of local codes, with the *National Electrical Code, ANSI/NFPA 70*; or the *Canadian Electrical Code, CSA C22.1*, if applicable.

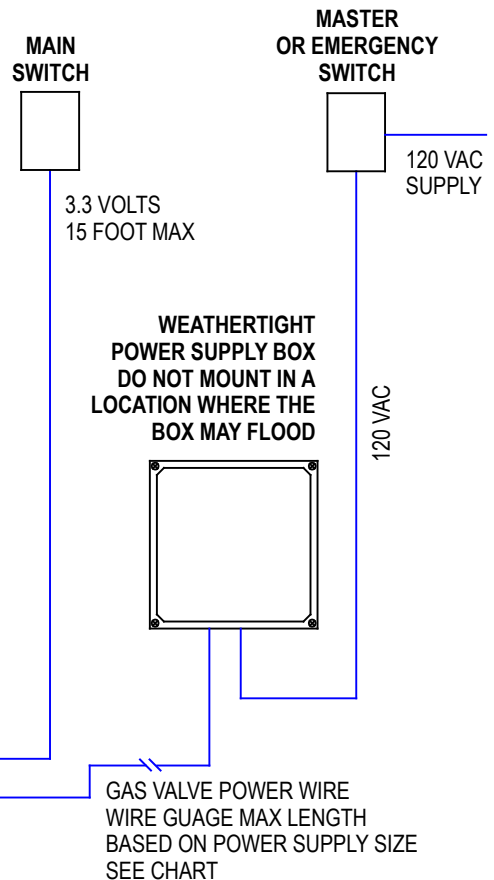
INSTALLATION OVERVIEW - TETHERED BOX OUTDOOR - DEXEN



POWER SUPPLY SIZE

	25W	35W	60W	100W
18 GA	40'	25'	15'	10'
16 GA	50'	40'	25'	15'
14 GA	75'	50'	40'	25'
12 GA	150'	80'	50'	40'

MINIMUM GAUGE AND MAX LENGTH
BASED ON A 5% VOLTAGE DROP



9 - ELECTRIC

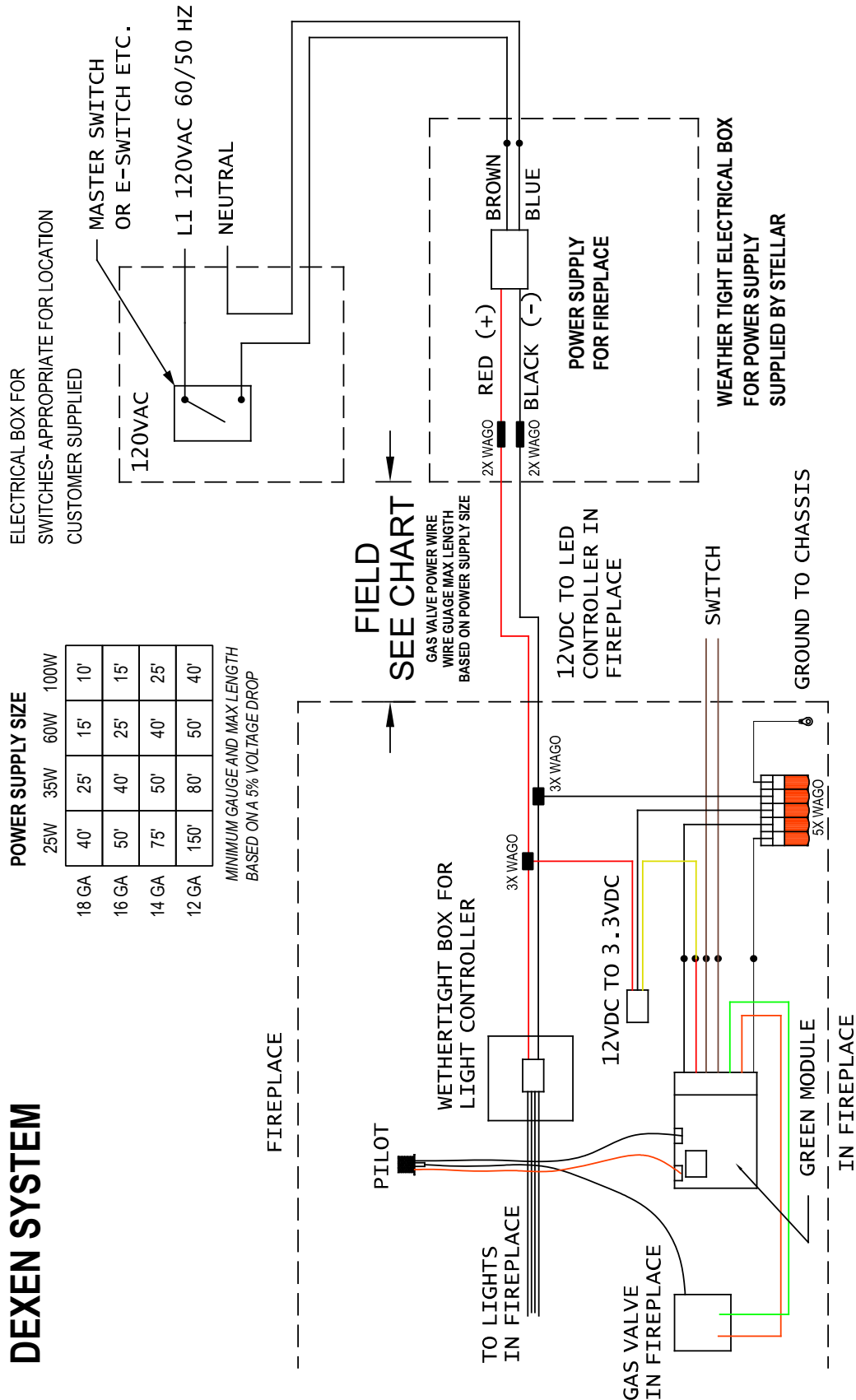
B. ELECTRICAL WIRING SCHEMATIC

DEXEN SYSTEM

POWER SUPPLY SIZE

	25W	35W	60W	100W
18 GA	40'	25'	15'	10'
16 GA	50'	40'	25'	15'
14 GA	75'	50'	40'	25'
12 GA	150'	80'	50'	40'

MINIMUM GAUGE AND MAX LENGTH
BASED ON A 5% VOLTAGE DROP



10 - FINALIZING THE INSTALLATION

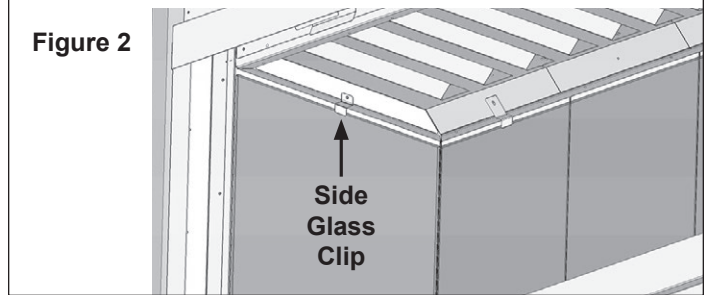
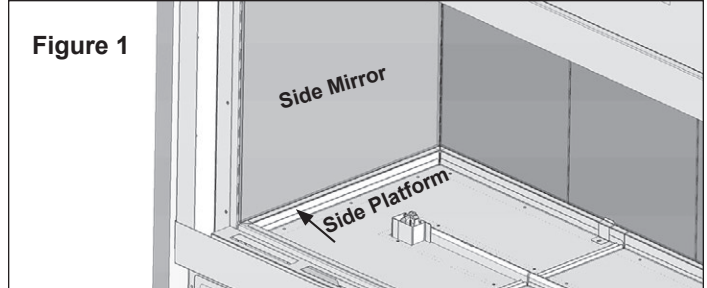
A. OPTIONAL MIRROR GLASS INSTALLATION & DIMENSIONS

The optional mirrors are 4mm thick, magic ceramic glass. Handle glass carefully throughout installation.

**SINGLE SIDED EXAMPLE:
SIDE MIRRORS INSTALL THE SAME
WITH OR WITHOUT A BACK WALL**

See Through (ST) Mirror Installation

1. Install the mirror panels before the glass wind guards are installed.
See Figure 1.
2. Install the end panel(s) by sitting the mirror into place on the platform above the media bed.
See Figure 1.
3. Install the glass clip into the side of the fireplace above the mirror panel to hold the mirror into place.
See Figure 2.



WARNING: DO NOT REMOVE GLASS WHEN HOT!!!!!!

OPTIONAL MIRROR GLASS DIMENSIONS & REPLACEMENT PART NUMBERS - 4mm Magic Ceramic Glass

Fireplace Width	3'	4'	5'	6'	7'	8'	9'	10'
Side Mirror Inches [Millimeters]	(x2) 23-3/4 x 23-3/4 [603 x 603]	(x2) 23-3/4 x 23-3/4 [603 x 603]	(x2) 23-3/4 x 23-3/4 [603 x 603]	(x2) 23-3/4 x 23-3/4 [603 x 603]	(x2) 23-3/4 x 23-3/4 [603 x 603]	(x2) 23-3/4 x 23-3/4 [603 x 603]	(x2) 23-3/4 x 23-3/4 [603 x 603]	(x2) 23-3/4 x 23-3/4 [603 x 603]
Replacement Part #	30300-2103	30300-2103	30300-2103	30300-2103	30300-2103	30300-2103	30300-2103	30300-2103

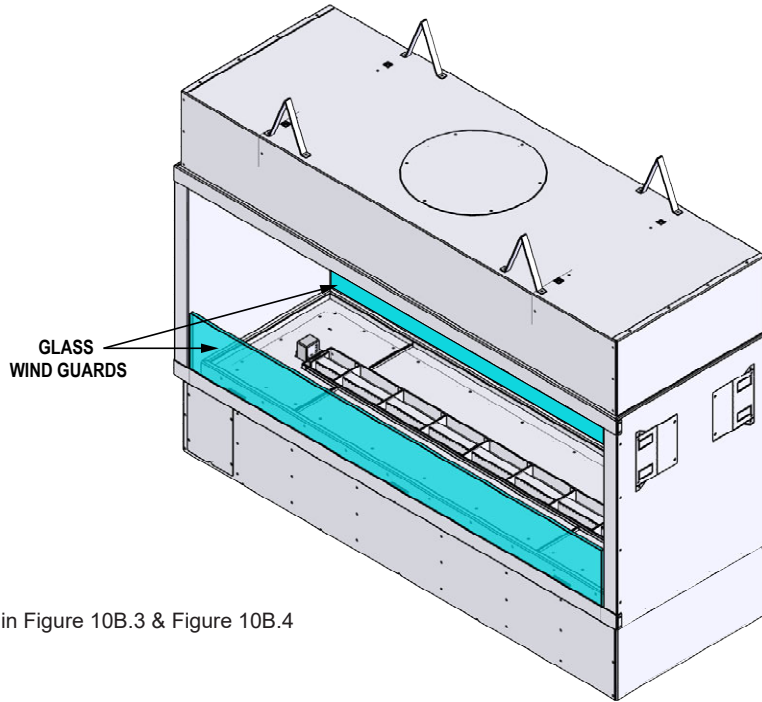


CAUTION: TO PREVENT GLASS GUARD ASSEMBLY FROM FALLING FROM FIREPLACE AND BECOMING DAMAGED. FOLLOW THE INSTRUCTIONS EXACTLY WHEN REMOVING AND INSTALLING GLASS GUARD ASSEMBLY.

10 - FINALIZING THE INSTALLATION

B. GLASS WIND GUARD INSTALLATION & DIMENSIONS

Glass guards are to be placed in front of the burner to help protect the flame from wind.
Slip the glass guard assembly into the provided steel spring-clips in the base in front of the burner pan.



Steel spring clips can be seen in Figure 10B.3 & Figure 10B.4 on the following page.

GLASS WIND GUARD DIMENSIONS & REPLACEMENT PART NUMBERS - 3/8" Tempered Glass

Fireplace Width	3'	4'	5'	6'	7'	8'	9'	10'
Without Refractory Inches [Millimeters]	39-1/4 x 9-3/8 [2997 x 238]	51-1/4 x 9-3/8 [1,302 x 238]	63-1/4 x 9-3/8 [1,607 x 238]	75-1/4 x 9-3/8 [1,911 x 238]	87-1/4 x 9-3/8 [2,216 x 238]	99-1/4 x 9-3/8 [2,521 x 238]	111-1/4 x 9-3/8 [2,826 x 238]	123-1/4 x 9-3/8 [3,131 x 238]
Replacement Part #	SRV30300-2005	SRV30400-2005	SRV30500-2005	SRV30600-2005	SRV30700-2005	SRV30800-2005	SRV30900-2005	SRV31000-2005
<i>Refractory option is only available with Custom orders.</i>								
Fireplace Width	3'	4'	5'	6'	7'	8'	9'	10'
With Refractory Inches [Millimeters]	35-1/4 x 9-3/8 [895 x 238]	47-1/4 x 9-3/8 [1,200 x 238]	59-1/4 x 9-3/8 [1,505 x 238]	71-1/4 x 9-3/8 [1,810 x 238]	83-1/4 x 9-3/8 [2,114 x 238]	95-1/4 x 9-3/8 [2,419 x 238]	107-1/4 x 9-3/8 [2,724 x 238]	119-1/4 x 9-3/8 [3,029 x 238]
Replacement Part #	SRV30300-2006	SRV30400-2006	SRV30500-2006	SRV30600-2006	SRV30700-2006	SRV30800-2006	SRV30900-2006	SRV31000-2006



CAUTION: TO PREVENT GLASS GUARD ASSEMBLY FROM FALLING FROM FIREPLACE AND BECOMING DAMAGED. FOLLOW THE INSTRUCTIONS EXACTLY WHEN REMOVING AND INSTALLING GLASS GUARD ASSEMBLY.



STOP: DO NOT OPERATE THIS FIREPLACE WITH THE GLASS REMOVED, CRACKED OR BROKEN. REPLACEMENT OF GLASS ASSEMBLY SHOULD BE DONE BY A LICENSED OR QUALIFIED SERVICE PERSON.

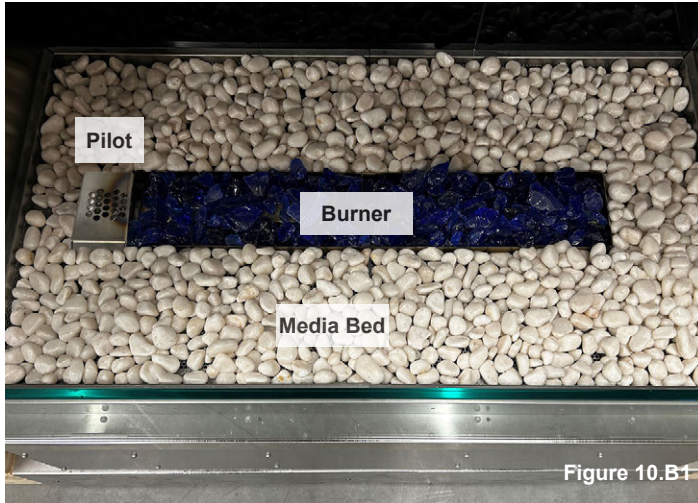


WARNING: DO NOT REMOVE GLASS GUARD ASSEMBLY WHEN HOT!!!!

10 - FINALIZING THE INSTALLATION

C. INSTALLING THE MEDIA

Media - Lbs Shipped By Size	Model	3'	4'	5'	6'	7'	8'	9'	10'
	LBS [KG]		60 [27]	80 [36]	100 [45]	120 [54]	140 [64]	160 [73]	180 [82]



Place media in the center pan fully covering the burner but not the pilot perforated cover the ignition ports adjacent to the pilot. (Shown as Dark Blue glass media in Figure 10B.1)

Place the rest of the media in the surrounding media bed filling out the rest of the firebox interior, again taking care not to cover the pilot or the 1/4" gap in front of the pilot. (Shown as frosted white glass in Figure 10B.1)

Complete media installation by carefully place media in the gap between the glass guard and burner pan. Use care not to break or chip the glass guard. Figure 10B.3 & Figure 10B.4.



Steel Spring Clip



NEVER COVER THE PILOT COVER OR THE IGNITION PORTS ADJACENT TO THE PILOT. Figure 10B.2

IMAGES ARE FOR REFERENCE, AND PILOT SHIELD MAY LOOK DIFFERENT.



Steel Spring Clip

D. FLAME APPEARANCE

Flame appearance is affected by several factors including altitude, venting configuration and fuel quality.

When first lit, the flames will be blue. Flame will gradually turn yellowish-orange during the first 15 minutes of operation.

11 - FINISHING

FINISHING THE WALL



NOTE: REFER TO DIMENSIONS SECTION FOR ALLOWABLE FINISHING DIMENSIONS. FINISHING MATERIALS MUST NOT OVERLAP THE DIMENSIONS HIGHLIGHTED IN GREEN IN THE SPECIFICATIONS SECTION.



NOTE: ***DO NOT*** PIERCE THE 2" [51] BAND BELOW THE VIEWING AREA AND ANY SIDES ADJACENT THE VIEWING AREA WITH SCREWS, RIVETS, ETC.

SINGLE SIDED EXAMPLE: FINISHING REQUIREMENTS APPLY TO EACH OPEN FACE OF THE FIREPLACE

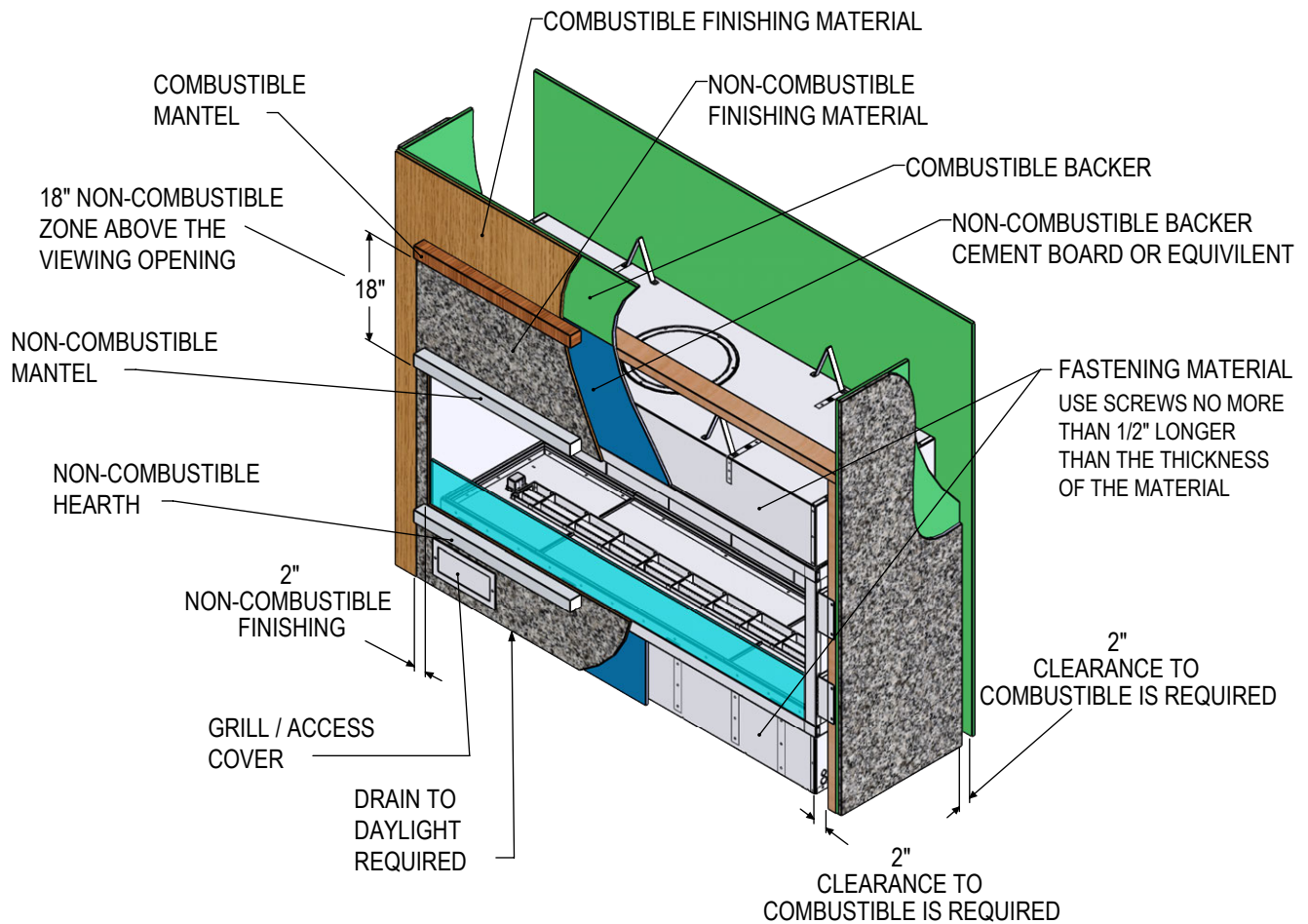


Figure 11

12 - LIGHTING & SHUTDOWN

FOR YOUR SAFETY - READ BEFORE LIGHTING



STOP: IF YOU DO NOT FOLLOW THESE INSTRUCTIONS EXACTLY, A FIRE OR EXPLOSION MAY RESULT, CAUSING PROPERTY DAMAGE, PERSONAL INJURY OR LOSS OF LIFE.

DUE TO HIGH SURFACE TEMPERATURES, KEEP CHILDREN, CLOTHING AND FURNITURE AWAY.

This appliance needs fresh air for safe operation and must be installed so there are provisions for adequate combustion and ventilation air. It is important to make sure the termination cap remains unobstructed at all times from snow, ice, leaves or other debris.

- This fireplace is equipped with an ignition device which automatically lights the pilot and main burner. The pilot and burner light automatically with the wall switch. **DO NOT** try to light the pilot by hand. Before lighting this fireplace, follow these instructions exactly.
- **BEFORE LIGHTING**, smell all around the appliance for gas. Be sure to smell next to the floor because some gas is heavier than air and will settle on the floor.
- Do not use this appliance if any part has been under water. Immediately call a qualified service technician to inspect the appliance and to replace any part of the control system which has been under water.

WHAT TO DO IF YOU SMELL GAS:

- Do not touch any electrical switches
- Do not try to light any appliance
- Do not use the phone in your building
- Immediately call your gas supplier from a neighbor's phone
Follow the gas supplier's instructions
- If you cannot reach your gas supplier, call the fire department

DO NOT STORE OR USE GASOLINE OR OTHER FLAMMABLE VAPORS AND LIQUIDS IN THE VICINITY OF THIS OR ANY OTHER APPLIANCE



NOTE: THIS FIREPLACE MAY PRODUCE NOISES OF VARYING DEGREE AS IT HEATS AND COOLS DUE TO METAL EXPANSION AND CONTRACTION. THIS IS NORMAL AND DOES NOT AFFECT THE PERFORMANCE OR LONGEVITY OF THE FIREPLACE.

A. LIGHTING THE FIREPLACE

To light the fireplace: Activate the switch.

To turn the fireplace off: Turn off the switch.

12 - LIGHTING & SHUTDOWN



STOP! Read safety information on previous page and front cover of this manual before continuing.



NOTE: This fireplace is equipped with an ignition device which automatically lights the pilot. **DO NOT** try to light the pilot by hand.

B. IF THE FIREPLACE DOES NOT LIGHT

1. Turn off the fireplace at switch.
2. Turn off all electrical power to fireplace.
3. Wait five (5) minutes to allow any gas that may have accumulated inside firebox to escape. If you then smell gas, **STOP!** Follow safety information on front cover and on previous page of the installation manual. If you don't smell gas, go to next step.
4. Turn **ON** all electrical power to fireplace.
5. Turn fireplace on at switch.

Proper Flame Adjustment

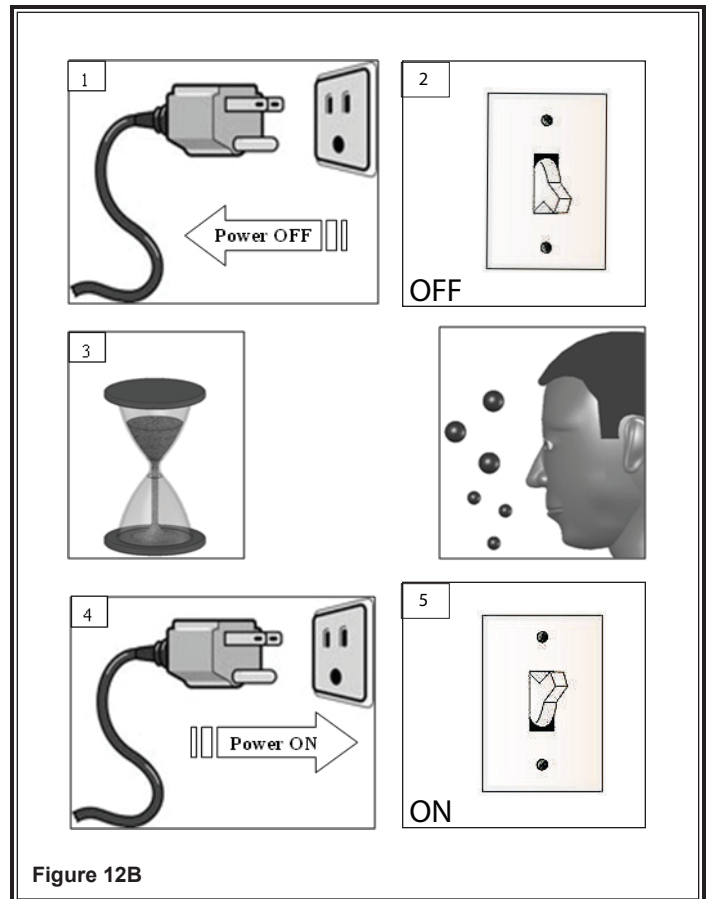
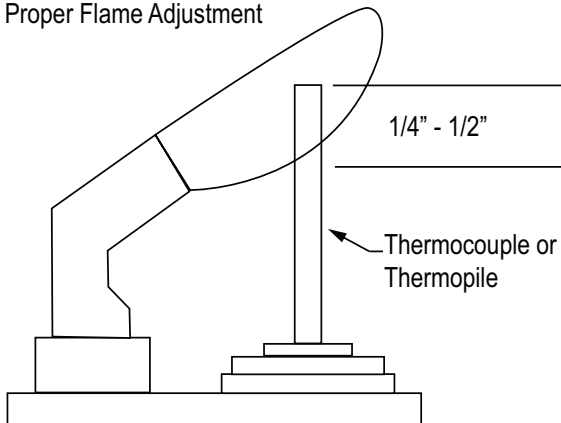


Figure 12B



CAUTION: If fireplace will not operate, follow instructions **TURNING OFF GAS TO FIREPLACE** and call your service technician or the gas supplier.



NOTE: When fireplace is initially lit, condensation will appear on the glass; this is normal in all gas fireplaces and will disappear after several minutes.

13 - PRESSURE TESTING



WARNING: Risk of Fire! Risk of Explosion!



Pressure exceeding 1/2 PSIG (14 in. w.c. / 3.5 kPa) will damage gas valve control.



- Disconnect appliance and its manual shutoff valve **BEFORE** line pressure testing.
- Cap outlet on piping system at appliance connection **BEFORE** line pressure testing.
- Connect appliance **AFTER** confirming piping system pressure is equal or less than 1/2 PSIG (14 in. w.c./ 3.5 kPa).



NOTE: The appliance and its individual shutoff valve must be disconnected from the gas supply piping system during any pressure testing of that system at pressures in excess of 1/2 PSIG (14 in. w.c. / 3.5 kPa).



NOTE: The appliance must be isolated from the gas supply piping system by closing its individual manual shut-off valve during any pressure testing of the gas line at test pressures equal to or less than 1/2 PSIG (14 in. w.c. / 3.5 kPa).

INLET PRESSURE TEST

1. The valve has two pressure taps on the face, one for inlet and one for outlet.
2. Use a small straight screwdriver to open the tap you want to test. Slip on a 1/4" vinyl tube connected to a manometer.
3. Light the fireplace, and check the pressure.
4. Turn off the fireplace, remove the vinyl tube, and tighten the plug/close the tap.
5. Check for leaks.



CAUTION: A LOW PRESSURE READING CAN CAUSE DELAYED IGNITION



NOTE: If inlet pressure reading is too high or too low, contact the gas company. Only a qualified gas service technician should adjust incoming gas pressure.

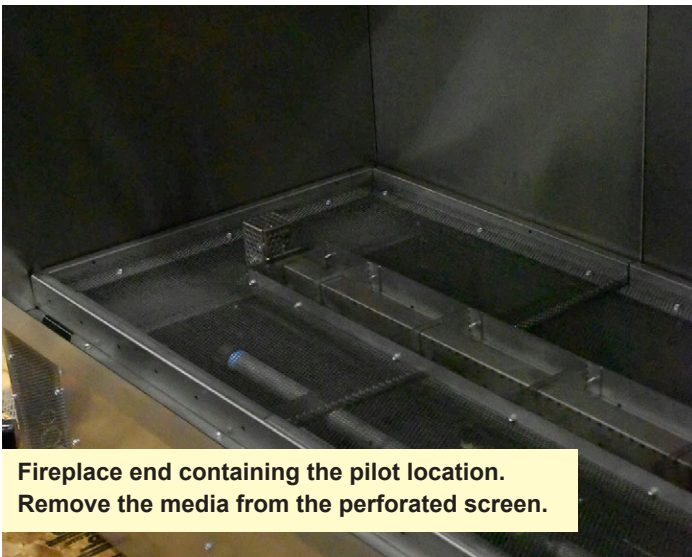
14 - MAINTENANCE

A. VALVE AND ELECTRICAL ACCESS

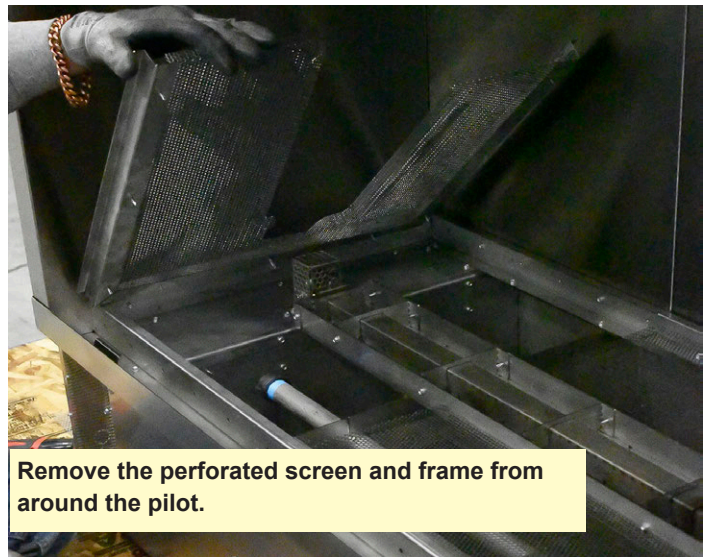


NOTE: INSTALLATION AND REPAIR SHOULD BE DONE ONLY BY QUALIFIED SERVICE PERSON. THE APPLIANCE SHOULD BE INSPECTED BEFORE USE AND ANNUALLY BY A QUALIFIED SERVICE PERSON. MORE FREQUENT CLEANING MAY BE REQUIRED DUE TO EXCESSIVE LINT FROM CARPETING, BEDDING MATERIALS, ETC. IT IS IMPERATIVE THAT CONTROL COMPARTMENTS, BURNERS AND CIRCULATION AIR PASSAGeways OF THE APPLIANCE BE KEPT CLEAN.

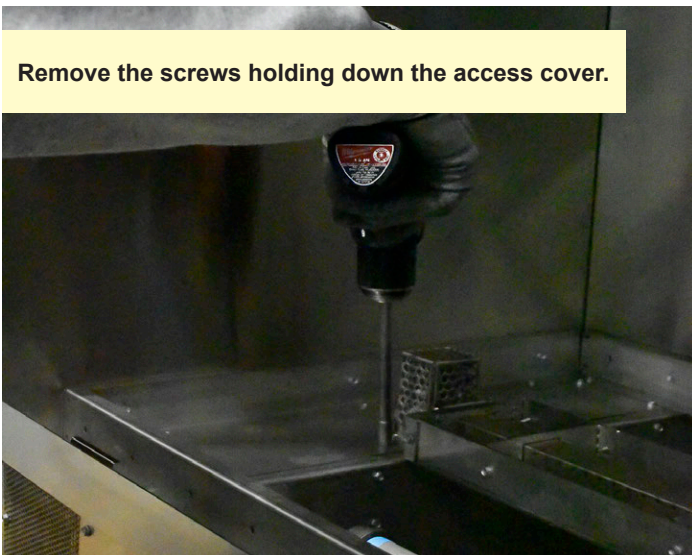
B.1 INTERNAL VALVE AND ELECTRICAL ACCESS - EXAMPLE WITHOUT REFRACTORY



Fireplace end containing the pilot location.
Remove the media from the perforated screen.



Remove the perforated screen and frame from around the pilot.



Remove the screws holding down the access cover.



Remove the access cover to the valve compartment.

14 - MAINTENANCE

B.2 EXTERNAL VALVE AND ELECTRICAL ACCESS



14 - MAINTENANCE



NOTE: INSTALLATION AND REPAIR SHOULD BE DONE ONLY BY QUALIFIED SERVICE PERSON. THE APPLIANCE SHOULD BE INSPECTED BEFORE USE AND ANNUALLY BY A QUALIFIED SERVICE PERSON. MORE FREQUENT CLEANING MAY BE REQUIRED DUE TO EXCESSIVE LINT FROM CARPETING, BEDDING MATERIALS, ETC. IT IS IMPERATIVE THAT CONTROL COMPARTMENTS, BURNERS AND CIRCULATION AIR PASSAGEWAYS OF THE APPLIANCE BE KEPT CLEAN.

C. VENT SYSTEM (NV)

- Annual examination of venting system by a qualified agency is required.
- The flow of combustion air must not be obstructed.

D. GLASS CLEANING & REPLACEMENT

- Clean glass guard only when cool and only with non-abrasive cleansers.
- Do not operate this fireplace with glass guard removed, cracked or broken.
- Replacement of glass guard must only be performed by a licensed or qualified service person.
DO NOT SUBSTITUTE MATERIALS.
- Do not strike glass guard and handle with care.



CAUTION: LABEL ALL WIRES PRIOR TO DISCONNECTION WHEN SERVICING CONTROLS. WIRING ERRORS CAN CAUSE IMPROPER AND DANGEROUS OPERATION. VERIFY PROPER OPERATION AFTER SERVICING. KEEP APPLIANCE AREA CLEAR OF COMBUSTIBLE MATERIALS, SUCH AS GASOLINE AND OTHER FLAMMABLE VAPORS AND LIQUIDS. VAPORS AND LIQUIDS.

E. REPLACEMENT PARTS LIST

PART DESCRIPTION	PART NUMBER
Valve	30300-7000
Pilot	4018-065
Green Control Module	593-592
Wire Harness	30300-7010
DC-DC Step-Down Power Source	30300-7006
LED Transformer, 12VDC	16400-1900
LED Controller	16400-1901
LED Remote Control	16400-1901R
Orifice	See Specifications
Media	See Specifications


by Heat & Glo

Stellar by Heat & Glo
a division of Hearth & Home Technologies®

22160 Cedar Avenue, Suite 200
Lakeville, MN 55044

(P) 952-224-4072
stellar.heatnglo.com

3 in 1 LED Controller (2.4G) Instruction Manual

Contents

<u>Product features</u>	2
<u>Set up output mode</u>	3
<u>Compatible with remote</u>	3
<u>2.4G RF remote control instruction</u>	4-7
<u>Link / Unlink Instructions</u>	4
<u>Auto transmitting & Synchronization</u>	5
<u>Dynamic mode table selection</u>	5
<u>PWM frequency switching</u>	6
<u>“Do Not Disturb” mode is activated and shut down</u>	7
<u>DMX512 LED transmitter control instruction</u>	8
<u>Attention</u>	9

Product features

Made by new 2.4GHz wireless transmitting technology with low power consumption, strong ability to build network automatically and anti-interference. with MiBoxer 2.4GHz gateway to get wireless dimming color, remote control, timing control, group control, music rhythm function. Support 2.4G RF remote control.



16 Millions of colors to choose



Color temperature adjustable



Dim brightness / Saturation



2.4G RF wireless transmission technology



Remote control distance 30m



Auto-transmitting & Synchronization



Support Smartphone app control (2.4GHz gateway is needed)



Support third party voice control (2.4GHz gateway is needed)



DMX512 controllable
(Only for RGB+CCT output mode DMX512 LED transmitter is needed)

Set up output mode

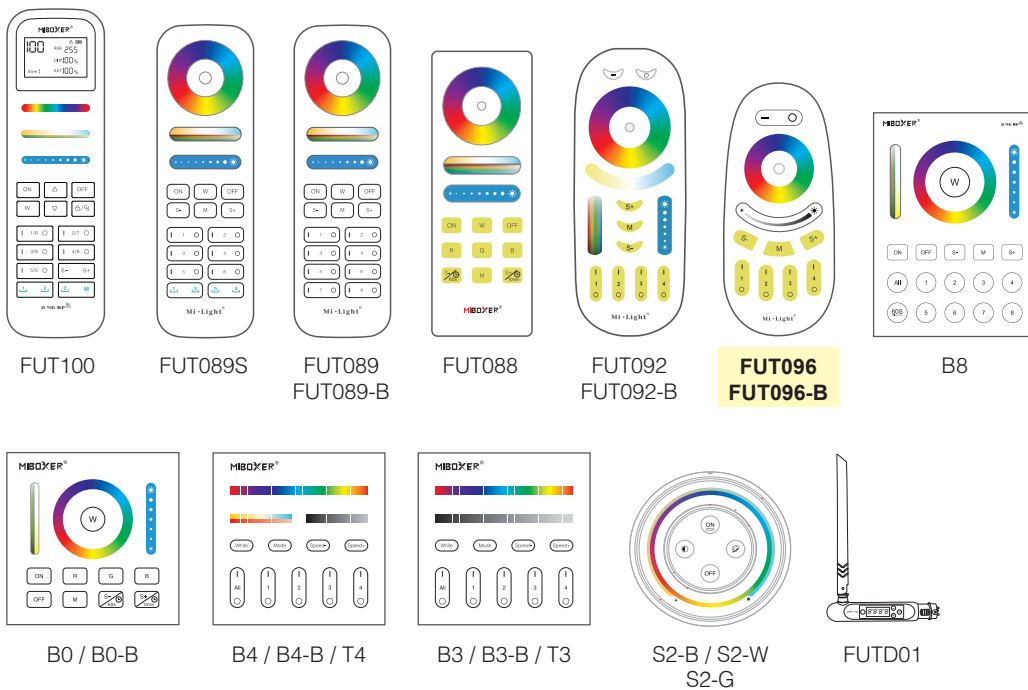
Set up correct output mode based on the feature of lights

Setting method: Press "SET" button continuously to switch output mode (attention: it will log out without operation within 3 seconds)

Output mode sheet (confirm output mode based on color of indicator)

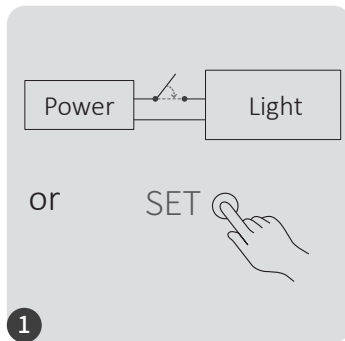
Indicator color	Red Light	Green Light	Blue Light
Output	RGB	RGBW	RGB+CCT

Compatible with these 2.4G RF remote controls (Purchased separately)



2.4G RF Remote control instruction

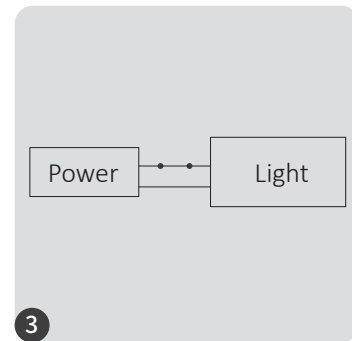
1). Linking Code Instructions



Power off 10 seconds and power on again or short press "SET" one time.



Short press " | " button 3 times within 3 seconds.

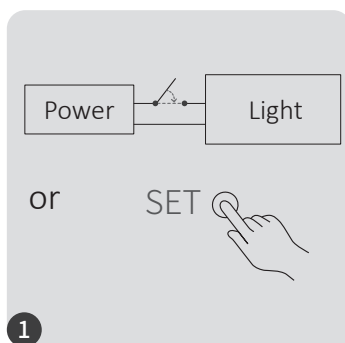


Lights blink 3 times slowly means linking is done successfully.



Linking failed if light is not blinking slowly, Please follow above steps again.
(Note: Light that have linked can't link again)

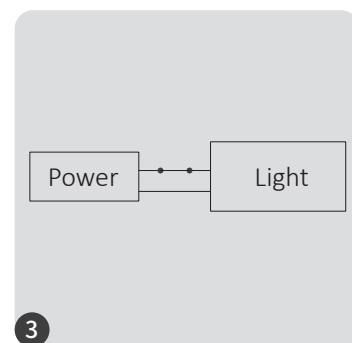
2). Unlinking Code Instructions



Power off 10 seconds and power on again or short press "SET" one time.



Short press " | " button 5 times within 3 seconds.



Lights blink 10 times quickly means unlinking is done successfully.



Unlinking failed if light is not blinking quickly, Please follow above steps again.
(Note: Light haven't linked that don't need to unlink)

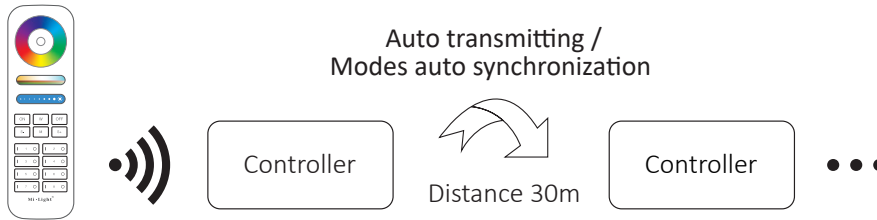
3). Auto transmitting & Synchronization (only for remote control)

Remote signal auto transmitting

One light can transmit the signals from the remote control to another light within 30m, as long as there is a light within 30m, the remote control distance can be limitless.

Dynamic modes auto synchronization

Multi lights can synchronize if they are in same dynamic mode and linked with same remote (distance between each light is within 30m)



4). Dynamic mode table selection (only for remote control)

Select dynamic mode table 1:

While the light is in static mode, short press “S+” button 5 times quickly until blue light flashes 3 times slowly, static mode is activated successfully.

Select dynamic mode table 2:

While the light is in static mode, short press “S-” button 5 times quickly until yellow light flashes 3 times slowly, static mode is activated successfully.

Dynamic mode table 1 (default)

Number	Dynamic Mode	Brightness / Saturation / Speed
1	Mardi Gras	Adjustable
2	Automatic color change	
3	Sam	
4	Gemstone	
5	Twilight	
6	American	
7	Fat Tuesday	
8	Party	
9	Slow Color Splash	

Dynamic mode table 2 (need to switch manually)

Number	Dynamic Mode	Brightness / Saturation / Speed
1	Seven colors gradual change	Adjustable
2	White light Gradual change	
3	RGB gradual change	
4	Seven colors jump to change	
5	Jump to change randomly	
6	Red light gradual change +Flash 3 times	
7	Green light gradual change +Flash 3 times	
8	Blue light gradual change +Flash 3 times	
9	White light gradual change +Flash 3 times	

5). PWM high frequency / low frequency switching (only for remote control)

Switch to high frequency (16KHz):

Press “OFF” button 1 time within three seconds and press “ON” button 5 times, Activated successfully once led light flashes 2 times quickly.

Switch to low frequency (250Hz):

Press “ON” button 1 time within three seconds and press “OFF” button 5 times, Activated successfully once led light flashes 2 times slowly.

6). “Do Not Disturb” mode is activated and shut down (default activated)

Turn on “Do Not Disturb” mode (wide using in the area which have power failure frequently to save energy)

2.4G RF Remote turn on and turn off instruction

Turn on “Do Not Disturb” mode:

Press “OFF” button three times within three seconds and press “ON” button three times, Activated successfully once led light flashes four times quickly.

Attention: Do not disturb mode is activated

1. When the light is OFF status (For example: Use app or remote to turn off light)

The light is OFF status once you turn off power and turn on again.

(User must turn off and turn on power twice times to activate light or use APP / remote to activate light)

2. When the light is ON status

The light is ON status once you turn off and turn on power one time.

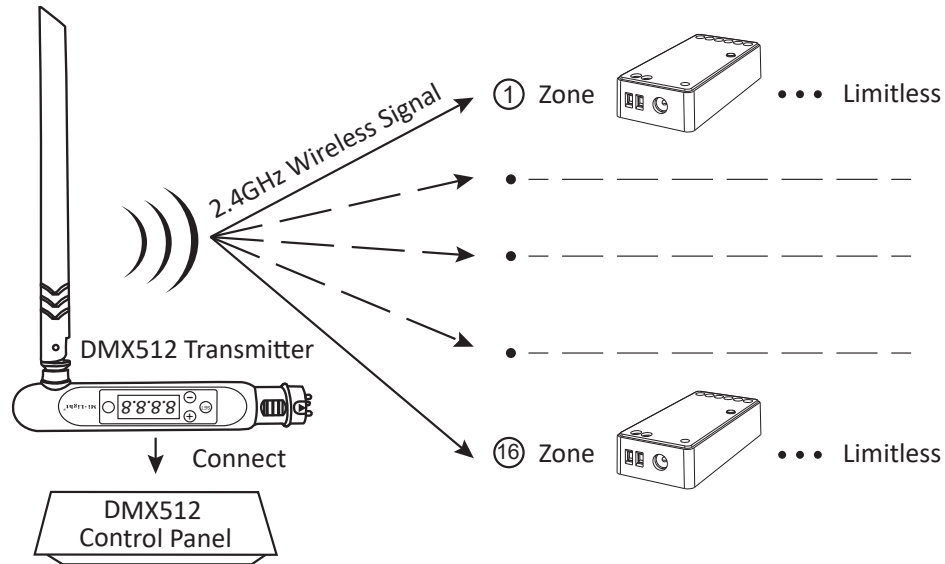
Turn off “Do Not Disturb” mode:

Press “ON” button three times within three seconds and press “OFF” button three times, closed successfully once led light flashes four times slowly.

Attention: The light will be always “ON” status if you turn on and turn off power once user closed “Do Not Disturb” mode.

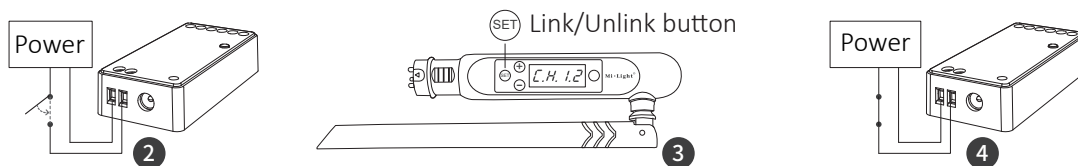
DMX512 LED Transmitter Control (Purchased separately)

Only for RGB+CCT output mode



DMX512 LED Transmitter Link/Unlink

- 1 Follow instruction of DMX512 transmitter (FUTD01), Choose the zone for the light by pressing “+” or “-” (e.g. “CH12” means zone 12)



Link

The controller is powered off for 10 seconds and then powered on, or press “SET” button 1 time.

Short press “**SET**” 3 times within 3 seconds while the indicator of controller is ON

Link is done once indicator of controller flashes 3 times slowly

Unlink

The controller is powered off for 10 seconds and then powered on, or press “SET” button 1 time.

Short press “**SET**” 5 times within 3 seconds while the indicator of controller is ON

Unlink is done once indicator of controller flashes 10 times quickly



If the link or unlink failed, please follow the above steps again.

Attention

1. Please turn off power supply before installation.
2. Please ensure input voltage to be same as requirements from device.
3. Don't disassemble device if you are not expert, otherwise it will damage it.
4. Please do not use the light in the place with widely range metal area or strong electromagnetic wave nearby, otherwise, the remote distance will be seriously affected.



Scan QR code to watch 2.4GHz series video instruction Or
enter into following link directly

https://miboxer.com/light/video/1pc_remote.html



Made in China