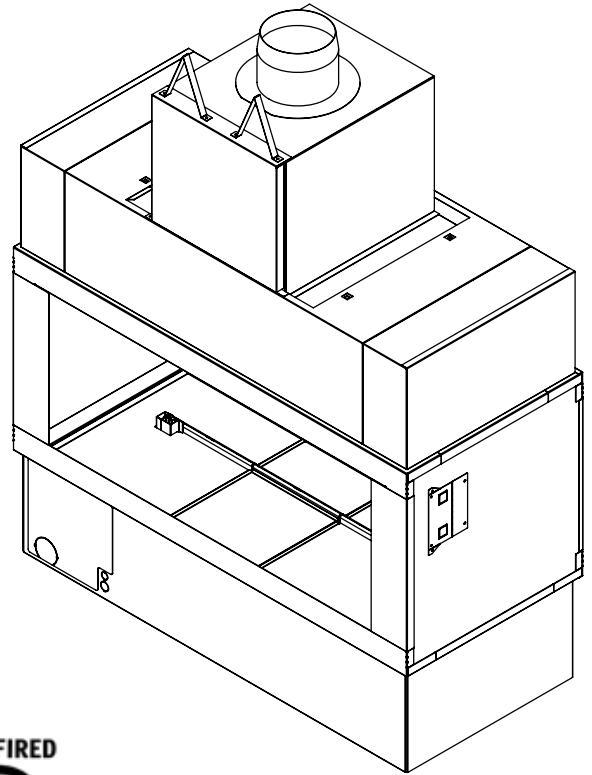


## Custom Fireplace Program Powervented Gas Fireplaces

### ENLIGHT OPEN HEARTH LINEAR COLLECTION

### SINGLE-SIDED Installation and Operating Manual

Available Widths: 4', 5', 6', 7', 8', 9' & 10'



	<b>WARNING: FIRE OR EXPLOSION HAZARD.</b>
<p>Failure to follow safety warnings exactly could result in serious injury, death, or property damage.</p>	
<ul style="list-style-type: none"> <li>— Do not store or use gasoline or other flammable vapors and liquids in the vicinity of this or any other appliance.</li> <li>— <b>WHAT TO DO IF YOU SMELL GAS</b> <ul style="list-style-type: none"> <li>• Do not try to light any appliance.</li> <li>• Do not touch any electrical switch; do not use any phone in your building.</li> <li>• Leave the building immediately.</li> <li>• Immediately call your gas supplier from a neighbor's phone. Follow the gas supplier's instructions.</li> <li>• If you cannot reach your gas supplier, call the fire department.</li> </ul> </li> <li>— Installation and service must be performed by a qualified installer, service agency or the gas supplier.</li> </ul>	

<b>DO NOT DISCARD</b>	
<p><b>Installer:</b> Leave this manual with the appliance.</p>	
<p><b>Consumer:</b> Retain this manual for future reference.</p>	
	<p>This appliance is only for use with Natural or Propane Gas</p>
	<p><b>SERVICE</b></p>
<p>We recommend that our gas hearth products be installed and serviced by trained fireplace professionals.</p>	
<p>Stellar by Heat &amp; Glo, a division of Hearth &amp; Home Technologies® 22160 Cedar Avenue Suite 200 Lakeville, MN 55044 · (952) 224 - 4072</p>	

**Read this manual before installing or operating this appliance.  
Please retain this owner's manual for future reference.**

***Congratulations on selecting a  
Stellar by Heat & Glo gas fireplace.***

You've selected a model within the Enlight Open Hearth Linear Collection that is crafted to elevate even the most unique spaces. Each of our Enlight Open Hearth Linear Collection's seven configurations sets the stage with the most robust flames in its class, with commercial grade components providing the utmost in safety and reliability.

As the owner of a new fireplace, you'll want to read and carefully follow all of the instructions contained in this owner's manual.

Pay special attention to all cautions and warnings.

**DO NOT DISCARD.**

This owner's manual should be retained for future reference. We suggest that you keep it with your other important documents and product manuals.

**Installation Team: at the time of install, please record the following pertinent information about the fireplace for the homeowners reference:**

Model Name: \_\_\_\_\_

Serial Number: \_\_\_\_\_ Date Installed: \_\_\_\_\_

Dealer Purchased From: \_\_\_\_\_

Dealer City/State: \_\_\_\_\_ Dealer Phone: \_\_\_\_\_

Notes: \_\_\_\_\_

If your model number has not been filled out above, please contact the dealer from whom you purchased the fireplace from for assistance identifying your model number by the serial number.



**STELLAR**

**by Heat & Glo**

stellar.heatnglo.com

Stellar by Heat&Glo, a division of Hearth & Home Technologies, Inc.

22160 Cedar Avenue S.

Lakeville, MN 55044

(P) 952-224-4072

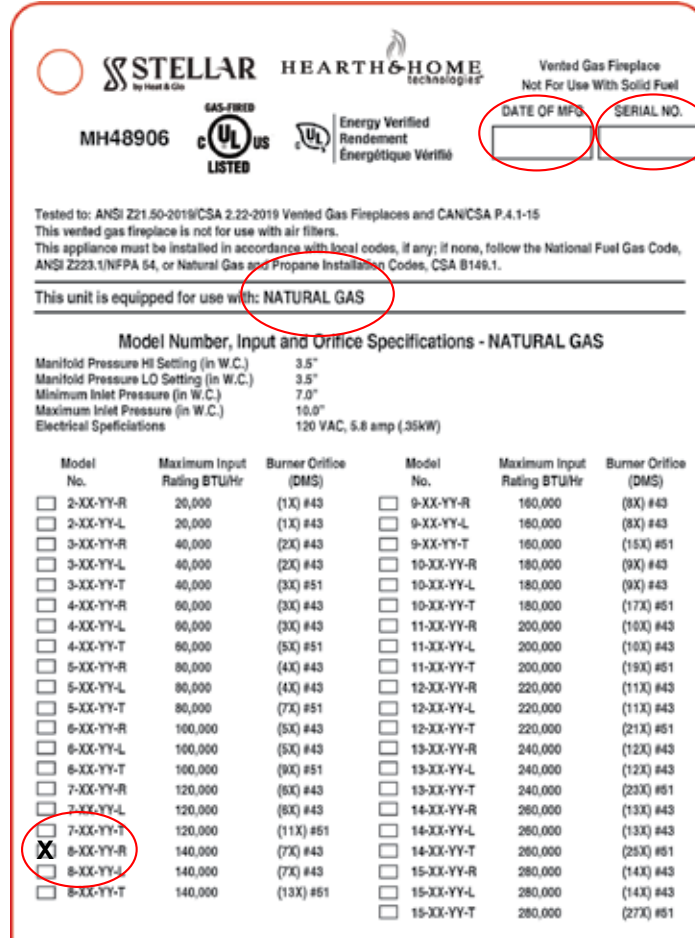
(E) StellarInfo@hearthnhome.com

# UL RATING PLATE LOCATION & MODEL NUMBER IDENTIFICATION

The rating plate is used for multiple designs and multiple collections, and custom fireplaces.

The generic nomenclature listed on the rating plate will not identically match the model of Astound fireplace you have.

The rating plate must stay with the fireplace and is located below the burner in an area that will only be reachable while servicing.



## → MODEL NUMBER IDENTIFICATION

**Viewing Width Of The Fireplace (Feet)**

3-10 = TBD Collection Model

(11-15 = Only Used For Custom Models)

**Viewing Height Of Fireplace (Inches)**

18 - 24 = OH Models Only

**8-XX-YY-LOH**

**Configuration Of The Fireplace**

SS = Single Sided

ST = See Through

**Style Of Burner**

LOH = Models Only,  
Ribbon Burner



## TABLE OF CONTENTS

Section Description	Page
Introduction & Homeowners Reference	2-3
Table Of Contents	5
<b>1 Safety Information</b>	<b>6</b>
A. Safety Icon Designations	6
B. Important Safety Considerations	6
<b>2 Commonwealth of Massachusetts Requirements</b>	<b>7</b>
<b>3 Specifications</b>	<b>8-13</b>
A.1 Fireplace Dimensions - All Sizes	8-9
A.2 Optional Vertical Trim Piece	8
B. Field Installed Firebrick Liner Information	10
C. Fireplace Specifications	11
D. Installation Overview	12
E. Placement Clearance Requirements	12
Non-Combustible Materials Specifications	12
Combustible Materials Specifications	12
F. Fireplace Clearances To Combustible Framing	12-13
<b>4 Prepare The Fireplace</b>	<b>14-15</b>
A. Standoff Installation	14
B. Nailing Tab Installation	14-15
<b>5 Framing Requirements</b>	<b>16-17</b>
Important Framing Notes & Framing Dimensions	16-17
<b>6 Mantel Requirements</b>	<b>18-19</b>
A. Mantel Requirements	18
B. TV & Mantel Mounting Recommendations	19
<b>7 Gas Line Specifications &amp; Connection</b>	<b>20-21</b>
A. Gas Line Connection	20
B. Gas & Electric Access Locations	21
<b>8 Venting</b>	<b>22-32</b>
A. Approved Venting & Powervent Systems	22
B.1 System Supply Voltage Chart	22
B.2 Powervent Supply Voltage Chart	22
C. Make-Up Air Requirement	23
D. RS Series Powervent Specifications	24
E. Chimney Collar	25
F. Horizontal Vent System Clearance	25
G. Wall Pass Through	25
H. Pitot Tube Information.	25
I. Standard Non-Mechanical Exhaust Damper	25
J. Vertical Terminations Guidelines	26
K. Horizontal Terminations Guidelines	26
L. Horizontal Cap Location & Clearances	27
M. Vertical Cap Location & Clearances	28
N. Vertical Cap Location & Clearances To Other Caps	28
O. Wall Termination Cap Installation	29
P. Roof Termination Cap Installation Without Damper	30
Q. Chase Top Cap Installation With Damper	31
R. Chimney Shroud Types & Specifications	32

Section Description	Page
<b>9 Electrical-Standard</b>	<b>33-39</b>
A. Electrical Installation Overview	33
B. Electrical Schematic - Service	34
C. Electrical Schematic - Install	35
D. Junction Box & Capacitor	36
E.1 Terminals 1 & 2 - LED Lights	36
E.2 Terminals 3 & 4 - Main Flame (Smart Home)	37
E.3 Terminals 5 & 6 - Fireplace Power	38
E.4 Terminals 7 & 8 - Powervent Connection	38
E.5 Terminals 9 & 10 - Flue Damper Connection	39
E.6 Terminals 11 & 12 - Flue Damper Prove	39
<b>10 Electric - Tethered Control</b>	<b>40-43</b>
A. Tethered Control Panel Guidelines	40
B. Tethered Control Panel Installation Overview	41
C. Electrical Schematic - Service	42
D. Electrical Schematic - Install	43
Refer Back To 9 D.1 - D.6 For Terminals	36-39
<b>11 Finishing</b>	<b>45</b>
Finishing Guidelines	45
<b>12 Lighting &amp; Shutdown</b>	<b>46-47</b>
A. Lighting The Fireplace	46
B. If The Fireplace Does Not Light	47
<b>13 Inlet Pressure Testing</b>	<b>48</b>
<b>14 Finalizing The Installation</b>	<b>48</b>
A. Notes On Media and Log Set Instructions	48
B. Flame Appearance	48
<b>15 Maintenance</b>	<b>49</b>
A. Venting System	49
<b>16 Replacement Parts</b>	<b>50</b>
Replacement Parts	50
<b>17 Service &amp; Maintenance</b>	<b>51-53</b>
Service History Log	51
Troubleshooting Guide	52-53
LED Glass Media Lights User Manual	54-62
Hearth & Home Technologies® Warranty	63-64

# 1 - SAFETY INFORMATION

This fireplace complies with ANSI Z21.50-2019/CSA 2.22-2019 Vented Gas Fireplaces and CAN/CSA P.4.1-15.

Installation must conform with local building codes or in the absence of local building codes, with the National Fuel Gas Code, ANSIZ223.1/NFPA 54 - Current Edition, or the Natural or Propane Installation Code, CSAB149.1

## A. SAFETY ICON DESIGNATIONS

Various safety icons appear throughout this installation manual. Please familiarize yourself with the icons making sure you understand the serious consequences that may occur if ignored or of handling the products inappropriately.



### IMPORTANT NOTE

This indicates additional instructions that you should consider during the installation.



### DO NOT

This indicates something that you must never do.



### RISK OF FIRE

This designates a danger of risk of fire or damage to property.



### HOT GLASS WARNING

This indicates danger of serious bodily injury or property damage if glass is handled while still hot.



### CAUTION

This indicates danger of serious bodily injury or property damage



### STOP!

This indicates notes that may include reviewing warnings on other pages throughout the manual

## B. IMPORTANT SAFETY CONSIDERATIONS

- Installation and repair should be done only by a qualified service person. The appliance should be inspected by a qualified service person before use. Annual inspection by a qualified service person is required to maintain warranty. When drawing room air for combustion more frequent cleaning may be required due to excessive lint from carpeting, bedding materials, etc. It is imperative that control compartments, burners and circulation air passageways of the appliance be kept clean.
- Children and adults should be alerted to the hazards of high surface temperatures and should stay away to avoid burns or clothing ignition.
- Young children should be carefully supervised when they are in the same room as the appliance. Toddlers, young children and others may be susceptible to accidental contact burns. A physical barrier is recommended if there are at risk individuals in the house. To restrict access to a fireplace or stove, install an adjustable safety gate to keep toddlers, young children and other at risk individuals out of the room and away from hot surfaces.
- Clothing or other flammable material should not be placed on or near the appliance.
- Adequate accessibility clearances for servicing and proper operation must be maintained.
- This appliance must not share or be connected to a chimney flue serving any other appliance.
- Keep area around the appliance clear of combustible materials, gasoline and other flammable vapor and liquids.
- The flow of combustion and ventilation air must not be obstructed.
- Due to high temperatures the appliance should be located out of traffic and away from furniture and draperies.
- Keep burner and control compartment clean.
- Do not use this fireplace if any part has been under water. Immediately call a qualified service technician to inspect this appliance and to replace any part of the control system and any gas control which has been under water.
- **STATE OF CA WARNING:** This product and the fuels used to operate this product (liquid propane or natural gas), and the combustion of such fuels, can expose you to chemicals including benzene, which is known to the State of California to cause cancer and reproductive harm.

For more information go to: [www.P65Warnings.ca.gov](http://www.P65Warnings.ca.gov).



**DANGER:** Under no circumstances should any solid fuel (wood, coal, paper or cardboard etc.) be used in this appliance.



**DANGER:** Not to be installed in a bedroom or bathroom per National Fuel Gas Code.

## 2 - COMMONWEALTH OF MASSACHUSETTS REQUIREMENTS



**NOTE: THE FOLLOWING REQUIREMENTS REFERENCE VARIOUS MASSACHUSETTS AND NATIONAL CODES NOT CONTAINED IN THIS MANUAL.**

For all sidewall horizontally vented gas fueled equipment installed in every dwelling, building or structure used in whole or in part for residential purposes, including those owned or operated by the Commonwealth and where the side wall exhaust vent termination is less than (7) feet above finished grade in the area of the venting, including but not limited to decks and porches, the following requirements shall be satisfied:

### INSTALLATION OF CARBON MONOXIDE DETECTORS

At time of installation of side wall horizontally vented gas fueled equipment, the installing plumber or gas-fitter shall observe that a hard wired carbon monoxide detector with an alarm and battery back-up is installed on the floor level where the gas equipment is to be installed. In addition, the installing plumber or gas-fitter shall observe that a battery operated or hard wired carbon monoxide detector is installed on each additional level of the dwelling, building or structure served by the side wall horizontal vented gas fueled equipment. It shall be the responsibility of the property owner to secure the services of qualified licensed professionals for the installation of hard wired carbon monoxide detectors.

In the event that the side wall horizontally vented gas fueled equipment is installed in a crawl space or attic, the hard wired carbon monoxide detector with alarm and battery back-up may be installed on the next adjacent floor level.

In the event that the requirements of this subdivision can not be met at the time of completion of installation, the owner shall have a period of thirty (30) days to comply with the above requirements; provided, however, that during said thirty (30) day period, a battery operated carbon monoxide detector with an alarm shall be installed.

### APPROVED CARBON MONOXIDE DETECTORS

Each carbon monoxide detector as required in accordance with the above provisions shall comply with NFPA 720 and be ANSI/UL 2034 listed and IAS certified.

### SIGNAGE

A metal or plastic identification plate shall be permanently mounted to the exterior of the building at a minimum of eight (8) feet above grade directly in line with the exhaust vent terminal for the horizontally vented gas fueled heating appliance or equipment. The sign shall read, in print no less the one-half inch (1/2) in size, "GAS VENT DIRECTLY BELOW. KEEP CLEAR OF ALL OBSTRUCTIONS".

### INSPECTION

The state or local gas inspector of the side wall horizontally vented gas fueled equipment shall not approve the installation unless, upon inspection, the inspector observes carbon monoxide detectors and signage installed in accordance with the provisions of 248 CMR 5.08 (2) (a) 1 through 4.

### EXEMPTIONS

The following equipment is exempt from 248 CMR 5.08 (2) (a) 1 through 4: The equipment listed in Chapter 10 entitled "Equipment Not Required To Be Vented" in the most current edition of NFPA 54 as adopted by the Board; and Product Approved side wall horizontally vented gas fueled equipment installed in a room or structure separate from the dwelling, building or structure used in whole or in part for residential purposes.

### MANUFACTURES REQUIREMENTS GAS EQUIPMENT VENTING SYSTEM PROVIDED

When the manufacturer of Product Approved side wall horizontally vented gas equipment provides a venting system design or venting system components with the equipment, the instructions provided by the manufacturer for installation of the equipment and the venting system shall include:

Detailed instructions for the installation of the venting system design or the venting system components; and a complete parts list for the venting system design or venting system.

### MANUFACTURES REQUIREMENTS GAS EQUIPMENT VENTING SYSTEM NOT PROVIDED

When the manufacturer of Product Approved side wall horizontally vented gas equipment does not provide the parts for venting the flue gases, but identifies "special venting systems", the following requirements shall be satisfied by the manufacturer:

The referenced "special venting systems" instructions shall be included with the appliance or equipment installation instructions and; the "special venting systems" shall be Product Approved by the Board, and the instructions for that system shall include a parts list and detailed Installation instructions.

A copy of all installation instructions for all Product Approved side wall horizontally vented gas fueled equipment, all venting instructions, all parts lists for venting instructions, and/or all venting design instructions shall remain with the appliance or equipment at the completion of the installation.

# 3 - SPECIFICATIONS

## A. SINGLE SIDED DIMENSIONS

Model #	B-Vent Flue Ø	Finishing Width No Liner A	Finishing Width With Liner AL Page 10	Finishing Height B	Height To Top Trim C	Firebox Overall Height D	Height To Top Of Damper E	Overall Width F	Center Of Vent G
		A	AL	B	C	D	E	F	G
4-SS-18-LOH	8	48 [1219]	44 [1,118]	18 [457]	36 [914]	48 [1,219]	62 7/8 [1,597]	53-3/4 [1,365]	26-7/8 [683]
5-SS-18-LOH	10	60 [1,524]	56 [1,422]	18 [457]	36 [914]	48 [1,219]	62 7/8 [1,597]	65-3/4 [1,670]	32-7/8 [835]
6-SS-18-LOH	10	72 [1829]	68 [1,727]	18 [457]	36 [914]	50 [1,270]	64 7/8 [1,648]	77-3/4 [1,975]	38-7/8 [987]
7-SS-18-LOH	10	84 [2,134]	80 [2,032]	18 [457]	36 [914]	50 [1,270]	64 7/8 [1,648]	89-3/4 [2,280]	44-7/8 [1,140]
8-SS-18-LOH	12	96 [2,438]	92 [2,337]	18 [457]	36 [914]	50 [1,270]	64 7/8 [1,648]	101-3/4 [2,584]	50-7/8 [1,292]
9-SS-18-LOH	12	108 [2,743]	104 [2,642]	18 [457]	36 [914]	50 [1,270]	64 7/8 [1,648]	113-3/4 [2,889]	56-7/8 [1,445]
10-SS-18-LOH	12	120 [3,048]	116 [2,946]	18 [457]	36 [914]	50 [1,270]	64 7/8 [1,648]	125-3/4 [3,194]	62-7/8 [1,597]
4-SS-24-LOH	10	48 [1219]	44 [1,118]	24 [610]	42 [1,067]	54 [1,372]	68 7/8 [1,749]	53-3/4 [1,365]	26-7/8 [683]
5-SS-24-LOH	10	60 [1,524]	56 [1,422]	24 [610]	42 [1,067]	54 [1,372]	68 7/8 [1,749]	65-3/4 [1,670]	32-7/8 [835]
6-SS-24-LOH	12	72 [1829]	68 [1,727]	24 [610]	42 [1,067]	56 [1,422]	70 7/8 [1,800]	77-3/4 [1,975]	38-7/8 [987]
7-SS-24-LOH	12	84 [2,134]	80 [2,032]	24 [610]	42 [1,067]	56 [1,422]	70 7/8 [1,800]	89-3/4 [2,280]	44-7/8 [1,140]
8-SS-24-LOH	12	96 [2,438]	92 [2,337]	24 [610]	42 [1,067]	56 [1,422]	70 7/8 [1,800]	101-3/4 [2,584]	50-7/8 [1,292]
9-SS-24-LOH	14	108 [2,743]	104 [2,642]	24 [610]	42 [1,067]	56 [1,422]	70 7/8 [1,800]	113-3/4 [2,889]	56-7/8 [1,445]
10-SS-24-LOH	14	120 [3,048]	116 [2,946]	24 [610]	42 [1,067]	56 [1,422]	70 7/8 [1,800]	125-3/4 [3,194]	62-7/8 [1,597]

## A.2 VERTICAL TRIM PIECE SHIPPED STANDARD (Use Optional)

### Vertical Trim Piece

This fireplace has been designed to accommodate a specific thickness of the liner that may be installed inside and a vertical trim piece is shipped standard on the fireplace that would conceal any edge that may result.

The part is shipped for convenience and not necessary to use if a liner is not being installed.

Note: the fireplace viewing area width will differ depending on if that optional piece is left in place.

Figure 3A.2A: Not Using The Optional Vertical Trim leaves a 2-25/32 [51] recess that can be covered with a combustible finishing material

Figure 3A.2B: Using The Optional Vertical Trim leaves a 4-25/32 [121] recess that can be covered with a combustible finishing material

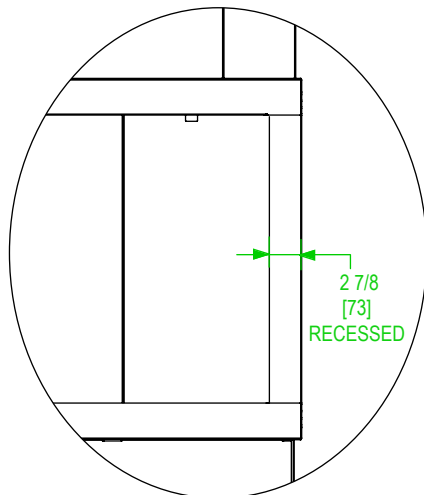


Figure 3A.2A - Example As Not Used

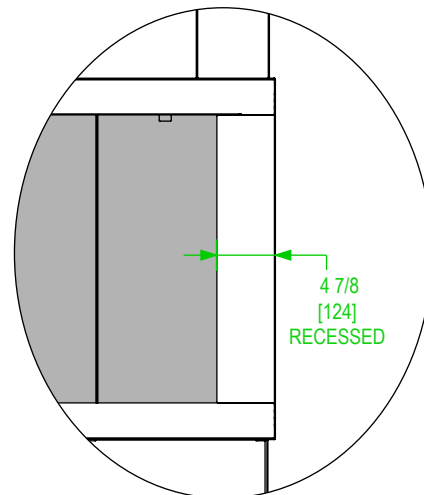


Figure 3A.2B - Example As Shipped Standard

Refer to Page 10 for more information on Field Installed Liners



# 3 - SPECIFICATIONS

## A. SINGLE SIDED DIMENSIONS

*Model 4-SS-18-G Shown In Example.  
The full shop drawing for each width  
can be found under the RESOURCES tab  
at the stellar.heatnglo.com website.*

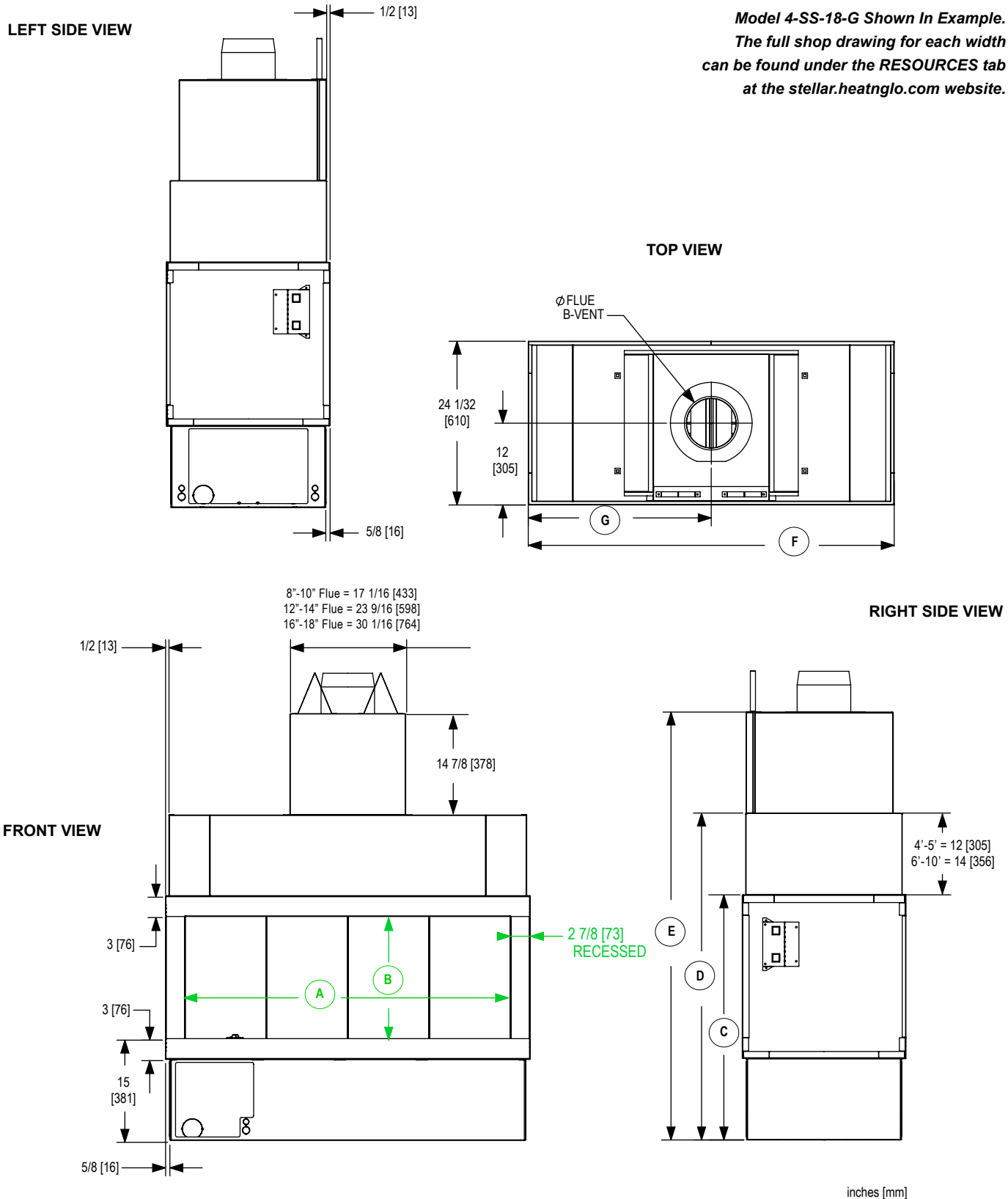


Figure 3A

# 3 - SPECIFICATIONS

## B. SINGLE SIDED DIMENSIONS - FIELD INSTALLED FIREBRICK

### Field Installed Refractory

This fireplace has been designed to accommodate a specific thickness of refractory to be installed inside. (SEE DIMENSIONS ABOVE)

The refractory should be installed using appropriate methods based on the type of refractory being used.

Permanent refractory should never cover the perforated floor frames. These frames must be able to be removed for fireplace service.

Model #	Finishing Width	Finishing Width
	No Liner A	With Liner AL
4-SS-18-LOH	48 [1219]	44 [1,118]
5-SS-18-LOH	60 [1,524]	56 [1,422]
6-SS-18-LOH	72 [1829]	68 [1,727]
7-SS-18-LOH	84 [2,134]	80 [2,032]
8-SS-18-LOH	96 [2,438]	92 [2,337]
9-SS-18-LOH	108 [2,743]	104 [2,642]
10-SS-18-LOH	120 [3,048]	116 [2,946]
4-SS-24-LOH	48 [1219]	44 [1,118]
5-SS-24-LOH	60 [1,524]	56 [1,422]
6-SS-24-LOH	72 [1829]	68 [1,727]
7-SS-24-LOH	84 [2,134]	80 [2,032]
8-SS-24-LOH	96 [2,438]	92 [2,337]
9-SS-24-LOH	108 [2,743]	104 [2,642]
10-SS-24-LOH	120 [3,048]	116 [2,946]

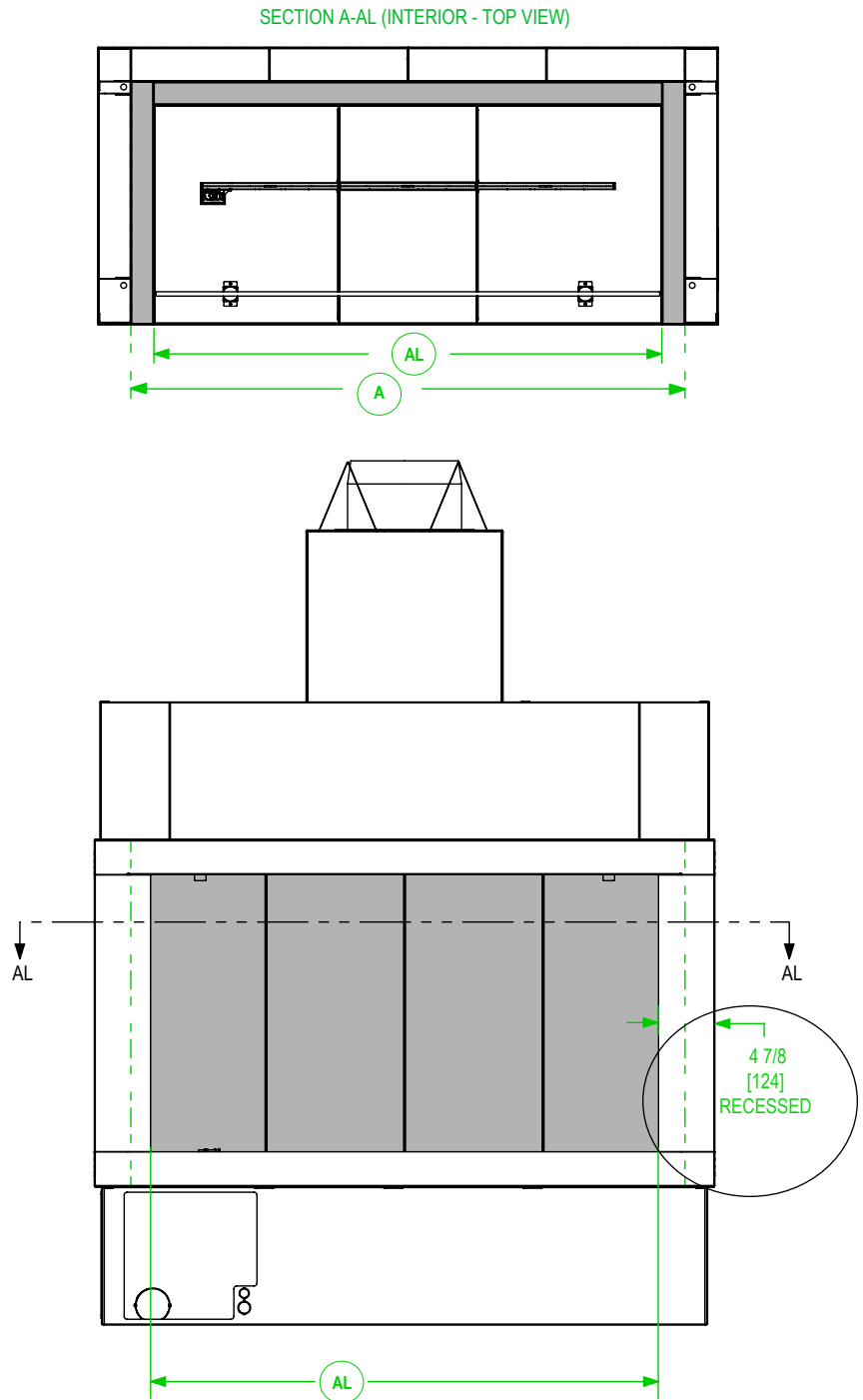


Figure 3B

## 3 - SPECIFICATIONS

### C. SINGLE SIDED SPECIFICATIONS

Model #	B-Vent Flue Ø	CFM's Make-Up Air	RS Powervent	BTU's	Orifice NG	Orifice Propane
4-SS-18-LOH	8	370	RS12	60,000	3X (#43)	3X (#55)
5-SS-18-LOH	10	455	RS12	80,000	4X (#43)	4X (#55)
6-SS-18-LOH	10	535	RS12	100,000	5X (#43)	5X (#55)
7-SS-18-LOH	10	620	RS12	120,000	6X (#43)	6X (#55)
8-SS-18-LOH	12	700	RS12	140,000	7X (#43)	7X (#55)
9-SS-18-LOH	12	785	RS14	160,000	8X (#43)	8X (#55)
10-SS-18-LOH	12	865	RS14	180,000	9X (#43)	9X (#55)
4-SS-24-LOH	10	480	RS12	60,000	3X (#43)	3X (#55)
5-SS-24-LOH	10	590	RS12	80,000	4X (#43)	4X (#55)
6-SS-24-LOH	12	700	RS14	100,000	5X (#43)	5X (#55)
7-SS-24-LOH	12	809	RS14	120,000	6X (#43)	6X (#55)
8-SS-24-LOH	12	920	RS14	140,000	7X (#43)	7X (#55)
9-SS-24-LOH	14	1,030	RS16	160,000	8X (#43)	8X (#55)
10-SS-24-LOH	14	1,140	RS16	180,000	9X (#43)	9X (#55)



**WARNING: NON-COMBUSTIBLE ZONE: USE ONLY NON-COMBUSTIBLE MATERIAL IN THIS AREA FOR ENTIRE WIDTH OF FIREPLACE. DO NOT USE WOOD, SHEETROCK, ETC., IN THIS ZONE.**



**NOTE: OTHER CLEARANCES APPLY. ALL CLEARANCES MUST BE MAINTAINED. Refer to Section 4 (Framing), Section 5 (Non-combustible Zone) and Section 10 (Finishing) for more information.**



**NOTE: The qualified installer should follow the procedure best suited for the installation.**

### D. INSTALLATION OVERVIEW

1. Frame should be built after the fireplace is installed or extra clearance must be planned for at the intake collar. Framing must allow for vent installation.
2. If masonry (optional) will be used, prepare foundation for the masonry load. A lintel is required to support the added weight above the fireplace.
3. Install hearth if desired.
4. Insert fireplace into framing.
5. Double check clearances to combustibles.
6. Complete gas line installation.
7. Complete electrical hook-up.
8. Complete venting installation.
9. Install facing material, mantel or cabinetry.
10. Install glass media/natural stone, and any interior options including mirrors and/or log set.
11. Verify proper operation of fireplace and all components.

### 3 - SPECIFICATIONS

#### E. PLACEMENT CLEARANCE REQUIREMENTS

- This fireplace must be installed on a level surface capable of supporting the fireplace and venting.
- Fireplace must be placed directly on wood or non-combustible surface (not linoleum or carpet) extending entire depth and width of fireplace.
- THIS FIREPLACE MAY NOT BE INSTALLED IN A BEDROOM.

##### Non-Combustible Materials Specifications

Material which will not ignite and burn.  
Such materials are those consisting entirely of steel, iron, brick, tile, concrete, slate, glass or plasters, or any combination thereof.

Materials that are reported as passing **ASTM E 136, Standard Test Method for Behavior of Materials in a Vertical Tube Furnace at 750 °C** shall be considered non-combustible materials.

##### Combustible Materials Specifications

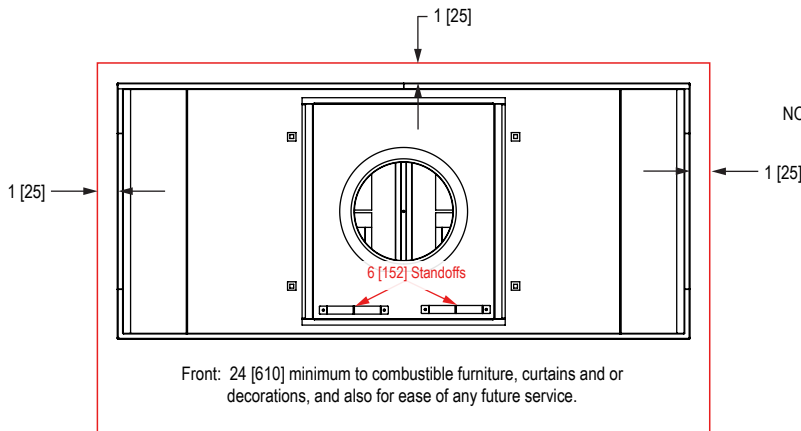
Materials made of or surfaced with wood, compressed paper, plant fibers, plastics, or other material that can ignite and burn, whether flame proofed or not shall be considered combustible materials.

#### F. FIREPLACE CLEARANCES TO COMBUSTIBLES

	INCHES	MILLIMETERS
From unit left & right sides	1	[25]
To flooring under fireplace	0	0
Unit top to ceiling	6	[152]
Unit side to adjacent sidewall	1	[25]

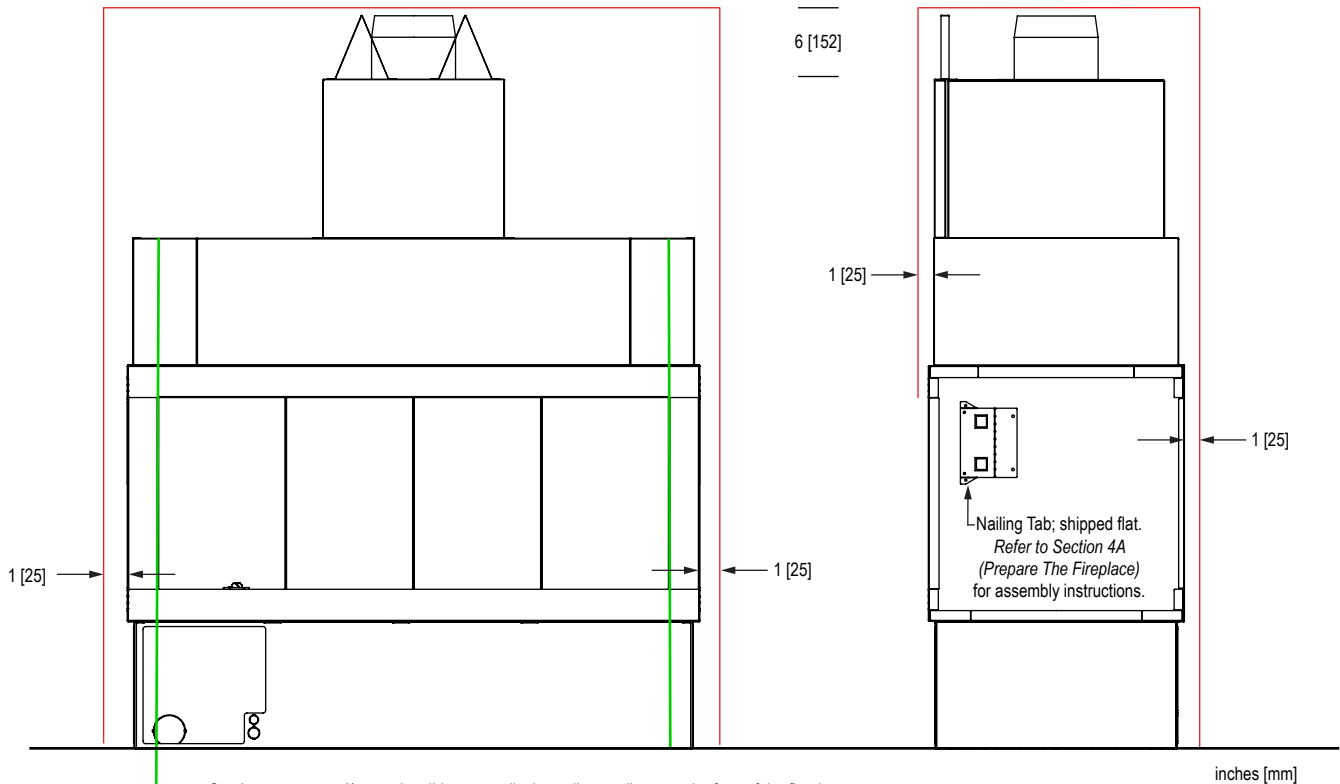
# 3 - SPECIFICATIONS

## F. FIREPLACE CLEARANCES TO COMBUSTIBLES FRAMING



CLEARANCES SHOWN ARE MINIMUM TO COMBUSTIBLES.  
 NON-COMBUSTIBLE FRAMING AND FINISHING MATERIALS ALLOWED  
 RIGHT UP TO THE FIREPLACE.

6 [152] Clearance Standoffs. X2 Total  
 Shipped flat.  
 Refer to Section 4 - Prepare The Fireplace  
 for assembly instructions.



Can be a recess and/or combustible perpendicular wall extending past the face of the fireplace.  
 Refer to Section 3 - Specifications for recess dimensions with and without using the optional vertical trim pieces.

OTHER CLEARANCE NOTES:  
 DO NOT PLACE ON CARPET, VINYL OR SOFT SURFACES.  
 A NON-COMBUSTIBLE MANTEL MAY BE PLACED AT THE TOP OF THE VIEWING AREA.  
 A COMBUSTIBLE HEARTH EXTENSION MAY BE USED AT THE BOTTOM OF VIEWING.  
 COMBUSTIBLE FRAMING AND FINISHING MATERIAL ALLOWED RIGHT UP TO THE FIREPLACE UNDER THE VIEWING AREA BOTTOM ONLY.

Figure 3F

## 4 - PREPARE THE FIREPLACE

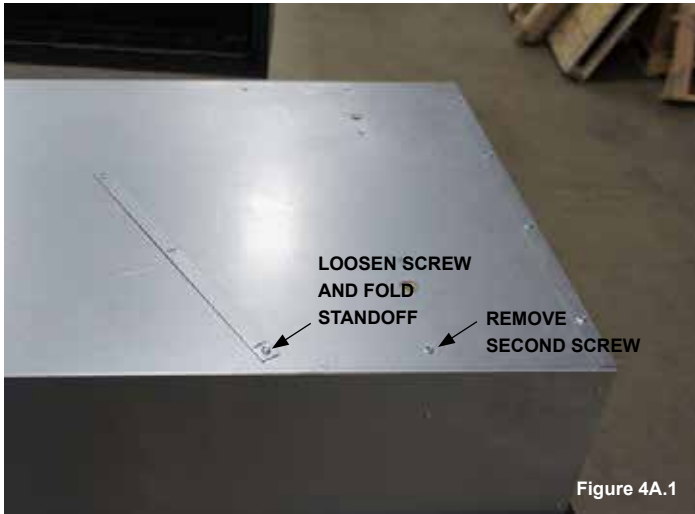


**CAUTION: FIREPLACE IS NOT LOAD-BEARING.**



**NOTE: OTHER CLEARANCES APPLY. ALL CLEARANCES MUST BE MAINTAINED.**

### A. STANDOFF INSTALLATION

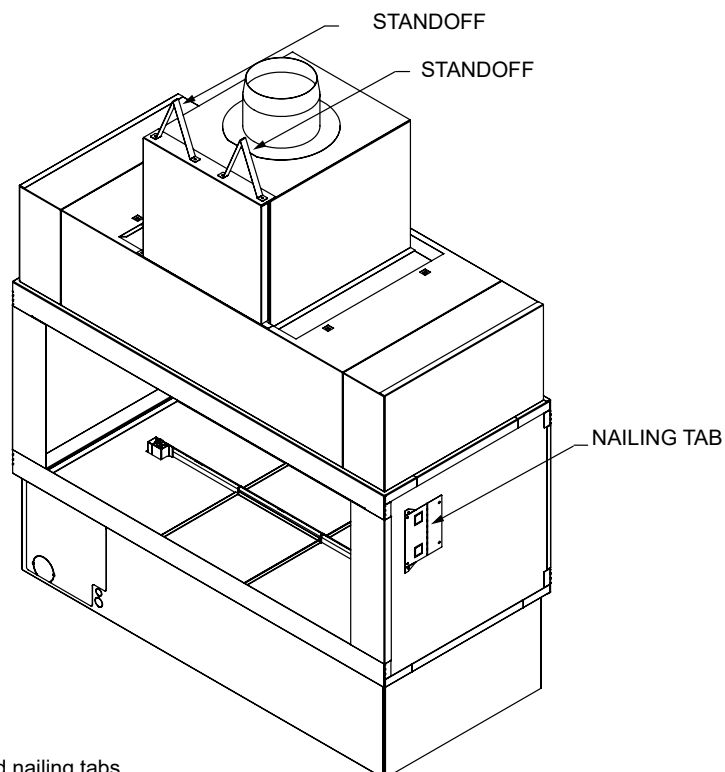


**STEP 1: Refer to Figure 4A.1**

The standoffs will be shipped in a flat state placed on the firebox top. Locate the standoffs and loosen the screws holding them in place.

**STEP 2: Refer to Figure 4A.2**

Fold the center of the standoff up and both ends out at the perforated lines. Using Figure 4A.2 for reference, locate the second pre-installed screw on the firebox top at each standoff location. Remove the screw, pivot the folded standoff into location and re-install the screw to secure the standoff. Tighten up the screw that was loosened in Step 1.



**Figure 4A.3**  
Placement of the standoffs and nailing tabs.

## 4 - PREPARE THE FIREPLACE

### B. NAILING TABS



STEP 1: Refer to Figure 4B.1

The nailing tabs will be shipped in a flat state placed on the firebox sides. Locate the nailing tabs and remove the screws holding them in place.



STEP 2: Refer to Figure 4B.2

Bend the two (2) small tabs out on each nailing tabs at the perforated lines. Using Figure 4A.3 for reference, locate the pre-drilled holes on the firebox side each nailing tabs will be placed at.



STEP 3: Refer to Figure 4B.3 & Figure 4B.4

Set each nailing tab in place and secure using two (2) screws each. Bend the nailing tabs out from fireplace at the remaining perforated line.



The nailing tabs will ensure the 1 [25] minimum clearance is kept to combustibile framing. Refer to Figure 4B.5

Depending on your installation and how you frame it out, you may not use the provided nailing tabs.

## 5 - FRAMING REQUIREMENTS



**NOTE:** Framing dimensions should allow for wall covering thickness and fireplace facing materials. When using a hearth, adjust rough opening size as necessary to maintain at least minimum clearance requirements.



**CAUTION:** Install fireplace on metal, concrete or hard wood surface extending the full width and depth of fireplace.



**CAUTION:** Vent cap location must be in compliance with guidelines in *Section 8 (Venting)* of this manual.



**NOTE:** REFER TO DIMENSIONS SECTION FOR ALLOWABLE FINISHING DIMENSIONS REQUIRED TO MAINTAIN CLEARANCE TO THE FIREPLACE OPENING.

**FINISHING MATERIALS MUST NOT OVERLAP THE DIMENSIONS HIGHLIGHTED IN GREEN IN SECTION 2 (DIMENSIONS). NEVER COVER THE VIEWING AREA WITH FINISHING MATERIALS.**



**NOTE:** DO NOT PIERCE ANY OF THE BLACK PAINTED SURFACES WITH SCREWS, RIVETS, ETC. THIS INCLUDES THE 3" [76mm] BLACK TOP AND BOTTOM TRIM AND ANY PAINTED SIDES ADJACENT TO THE VIEWING AREA.

If masonry is to be used (optional), prepare the necessary foundation for the masonry load. When masonry construction is being used, a lintel must be used over top of fireplace to support the added weight. Build hearth to desired size and height. If a hearth extension is desired, combustible material may be used.

### **Review the IMPORTANT FRAMING NOTES fully prior to framing.**

**IMPORTANT FRAMING NOTES:** inches [mm]

**FRAMING SHOULD BE BUILT AFTER THE FIREPLACE IS INSTALLED OR EXTRA CLEARANCE MUST BE PLANNED FOR THE THICKNESS OF MATERIALS USED.**

**THE FIREPLACE IS NOT LOAD-BEARING**

**FRAMING DIMENSIONS ASSUMING 1/2 [13] DRYWALL OR NON-COMBUSTIBLE BOARD USED.**

**THESE DIMENSIONS REPRESENT THE FRAMING DIMENSIONS FOR COMBUSTIBLE MATERIAL.**

**NON-COMBUSTIBLE FRAMING AND FINISHING MATERIALS MAY BE USED WITHIN THESE DIMENSIONS RIGHT UP TO THE UNIT.**

**NO COMBUSTIBLE MATERIAL WITHIN 6 [152] OF THE TOP OF THE FIREPLACE.**

**NO COMBUSTIBLE MATERIAL WITHIN 1 [25] OF THE SIDES, BACK AND FRONT OF THE FIREPLACE.**

**COMBUSTIBLE MATERIAL SHALL NOT BE PLACED DIRECTLY ON THE FACE OF THE FIREPLACE, TOP AND SIDES.**

**SEE SECTION 5 (NON-COMBUSTIBLE ZONE) AND SECTION 10 (FINISHING) FOR DETAILS REGARDING FINISHING.**

**STEEL SURFACE MAY BE COVERED WITH NON-COMBUSTIBLE FINISHING MATERIAL.**

**1 [25] CLEARANCE TO THE B-VENT MUST BE MAINTAINED.**



# 5 - FRAMING REQUIREMENTS



**NOTE: IT IS RECOMMENDED TO SET THE FIREPLACE IN TO PLACE PRIOR TO INSTALLING THE FRAMING.**  
 Framing dimensions noted are minimum framing dimensions to combustible materials only, and it is the responsibility of the installer for determining framing dimensions that allow for wall covering thickness and fireplace facing materials for each individual installation.

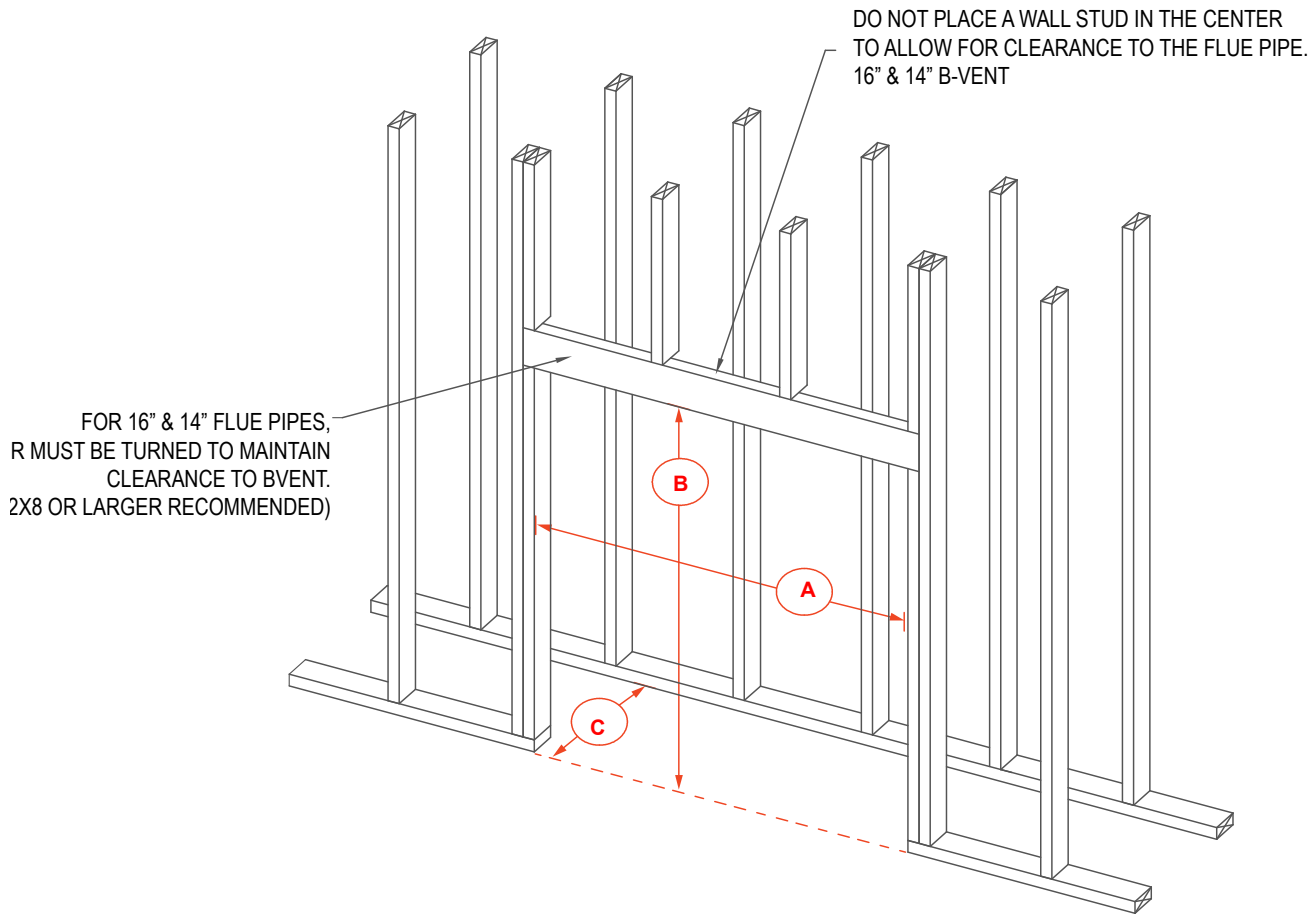


Figure 5A

Model #	A WIDTH	B HEIGHT	C DEPTH
4-SS-18-LOH	55-3/4 [1,416]	68-7/8 [1748]	25-1/32 [636]
5-SS-18-LOH	67-3/4 [1,721]	68-7/8 [1748]	25-1/32 [636]
6-SS-18-LOH	79-3/4 [2,026]	70-7/8 [1,799]	25-1/32 [636]
7-SS-18-LOH	91-3/4 [2,330]	70-7/8 [1,799]	25-1/32 [636]
8-SS-18-LOH	103-3/4 [2,635]	70-7/8 [1,799]	25-1/32 [636]
9-SS-18-LOH	115-3/4 [2,040]	70-7/8 [1,799]	25-1/32 [636]
10-SS-18-LOH	127-3/4 [3,245]	70-7/8 [1,799]	25-1/32 [636]
4-SS-24-LOH	55-3/4 [1,416]	74-7/8 [1,902]	25-1/32 [636]
5-SS-24-LOH	67-3/4 [1,721]	74-7/8 [1,902]	25-1/32 [636]
6-SS-24-LOH	79-3/4 [2,026]	76-7/8 [1,953]	25-1/32 [636]
7-SS-24-LOH	91-3/4 [2,330]	76-7/8 [1,953]	25-1/32 [636]
8-SS-24-LOH	103-3/4 [2,635]	76-7/8 [1,953]	25-1/32 [636]
9-SS-24-LOH	115-3/4 [2,040]	76-7/8 [1,953]	25-1/32 [636]
10-SS-24-LOH	127-3/4 [3,245]	76-7/8 [1,953]	25-1/32 [636]

inches [mm]

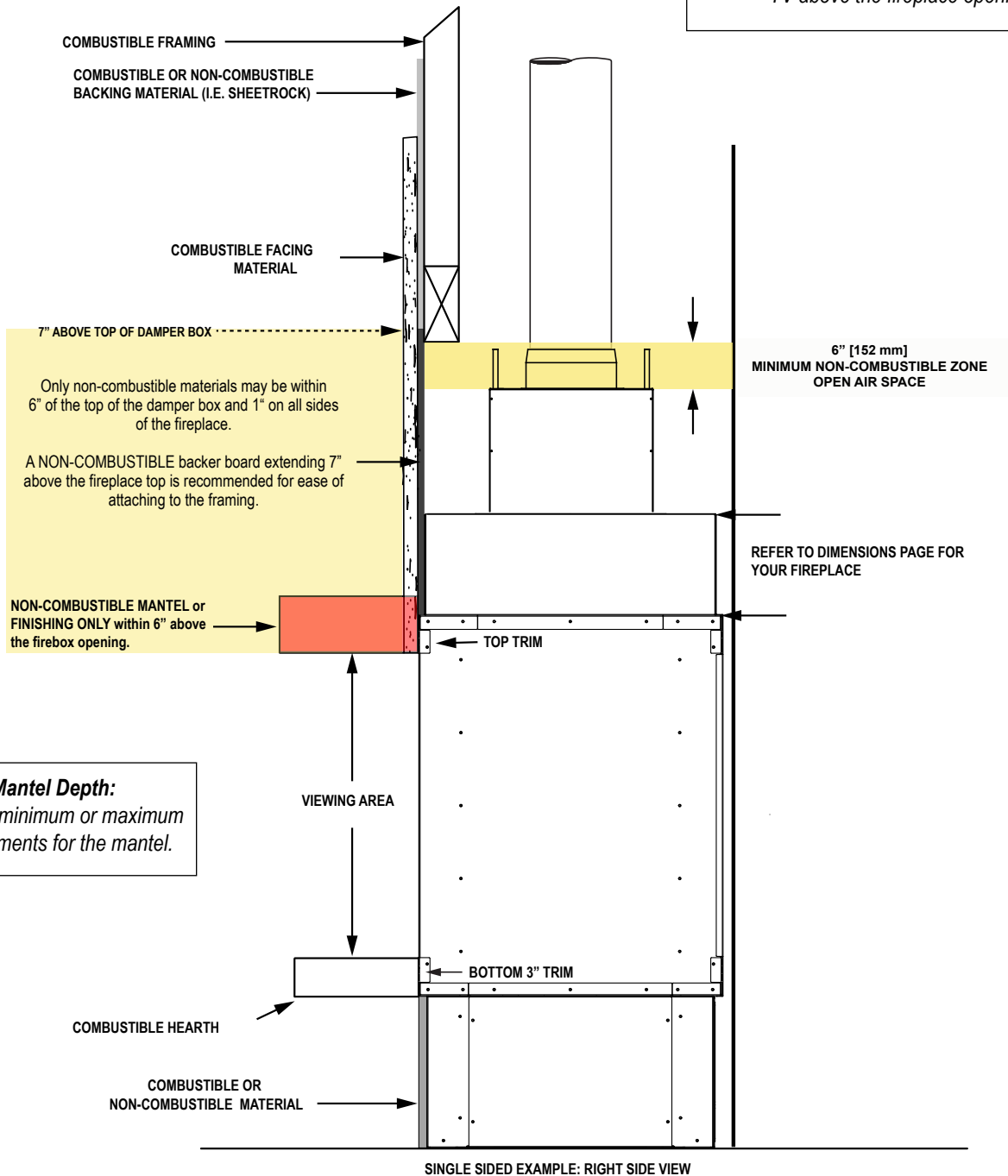
# 6 - MANTEL REQUIREMENTS

## A. NON-COMBUSTIBLE ZONE

**WARNING! Risk of Fire**

Comply with all the minimum clearances as specified.

**Notes About TV Placement:**  
 A mantel is not required if you are placing a TV above the opening.  
 6 [152] Minimum clearance required for a TV above the fireplace opening.



**Note About Mantel Depth:**  
 There are no minimum or maximum depth requirements for the mantel.

NOTE: Refer to Section 11 - Finishing The Wall for more information.

Figure 6A

# 6 - MANTEL REQUIREMENTS

## B. TV AND MANTEL MOUNTING RECOMMENDATIONS

Frame up the fireplace following the manual instructions.

We recommend using one larger 2x8 or 2x10 header rather than doubled up 2x4's. This is particularly relevant when installing the models with larger vent pipe that won't have the proper clearance to combustibles around the pipe.

Plan for the TV outlet and cable routing. Stellar recommends above or directly under the header to avoid the fireplace chassis. Do not center on the flue pipe.

Decide where to place the TV mount and or mantle. The TV mount can attach through the finishing material into the header (higher TV) or the mount can utilize the metal of the fireplace as a secure backer (lower TV). Avoid the 6 [152] above the fireplace and below the header (red area in picture). There will be no structure behind the wall to attach to.

inches [millimeters]

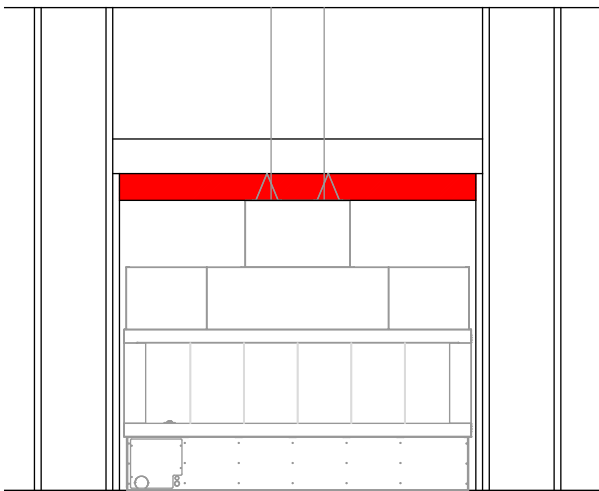
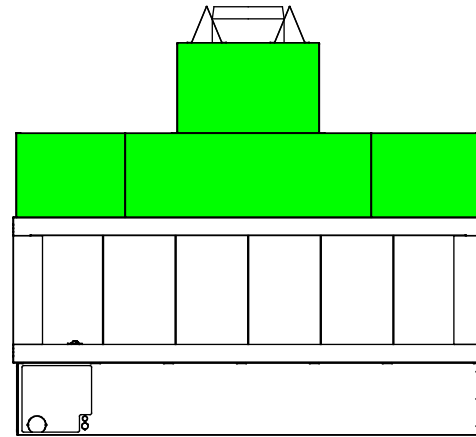


Figure 6B.1



The fireplace has metal above the opening that screws are allowed to pierce up to 7/8" for fastening Purposes. Figure 6B.2 (green area) Refer to manual for dimensions.

Figure 6B.2

**NOTE: TV or combustible mantle MUST BE 6 [152] or greater above the fireplace opening. Figure 6B.1**

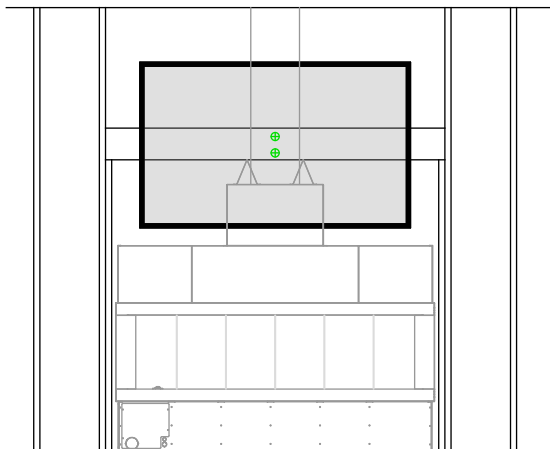


Figure 6B.3

Use lag screws or TV mount recommendations to fasten into the header. Use only screws that are 1-1/2" longer than the finishing material thickness. The screw cannot touch the pipe behind the header.

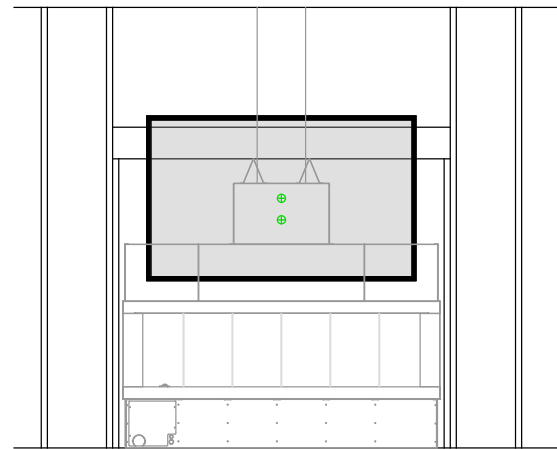


Figure 6B.4

Purchase #14 or larger self-drilling screws. The screws MUST BE NO LONGER THAN 7/8" PAST THE THICKNESS OF THE FINISHING MATERIAL. Example, if there is 1/2" sheetrock over 1/2" Hardi board, then the max screw length is 1-7/8".

## 7 - GAS LINE SPECIFICATIONS

**This fireplace is manufactured for use with Natural Gas or Propane.**



**CAUTION:** Installation of the gas line must only be done by a qualified person in accordance with local building codes, if any. If not, follow ANSI Z223.1.



**NOTE:** The appliance and its individual shutoff valve must be disconnected from the gas supply piping system during any pressure testing of that system at pressures in excess of ½ psi.



**NOTE:** The appliance must be isolated from the gas supply piping system by closing its individual manual shut-off valve during any pressure testing of the gas line at test pressures equal to or less than ½ psi (3.5 kPa).



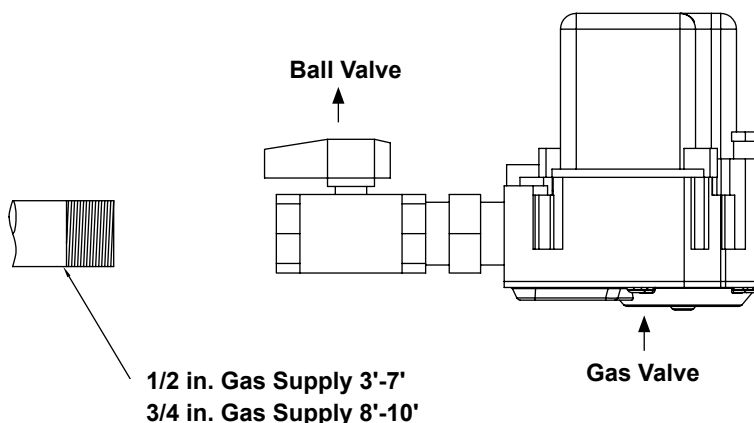
**NOTE:** For high altitude installations, consult Stellar by Heat&Glo directly for proper rating methods.

A. GAS LINE CONNECTION	Propane	NG
MINIMUM INLET GAS PRESSURE	11.0 inches W.C. (recommended)	7.0 inches W.C. (recommended)
MAXIMUM INLET GAS PRESSURE	14.0 inches W.C.	10.0 inches W.C.
MANIFOLD PRESSURE (HI)	10.0 inches W.C.	3.5 inches W.C.
ORIFICE SIZE	See Specifications Chart in Section 3.C	See Specifications Chart in Section 3.C
INPUT BTU/HR	See Specifications Chart in Section 3.C	See Specifications Chart in Section 3.C

**NOTE:** Have the gas supply line installed in accordance with local codes. If not, follow ANSI Z223.1. Installation should be done by a qualified installer approved and/or licensed as required by the locality. In the Commonwealth of Massachusetts installation must be performed by a licensed plumber or gas fitter.

**NOTE:** A listed (and Commonwealth of Massachusetts approved) 1/2 in. or 3/4 in. T-handle manual shut-off ball valve is connected to the 1/2 in. or 3/4 in. control valve inlet.

**Figure 7A**



**ADDITIONAL INFORMATION  
IN SECTION 2.B (GAS & ELECTRIC ACCESS LOCATIONS)**

# 7 - GAS LINE SPECIFICATIONS

## B. GAS & ELECTRIC ACCESS LOCATIONS

4' shown in example. Locations/dimensions are the same on all models and all sizes.

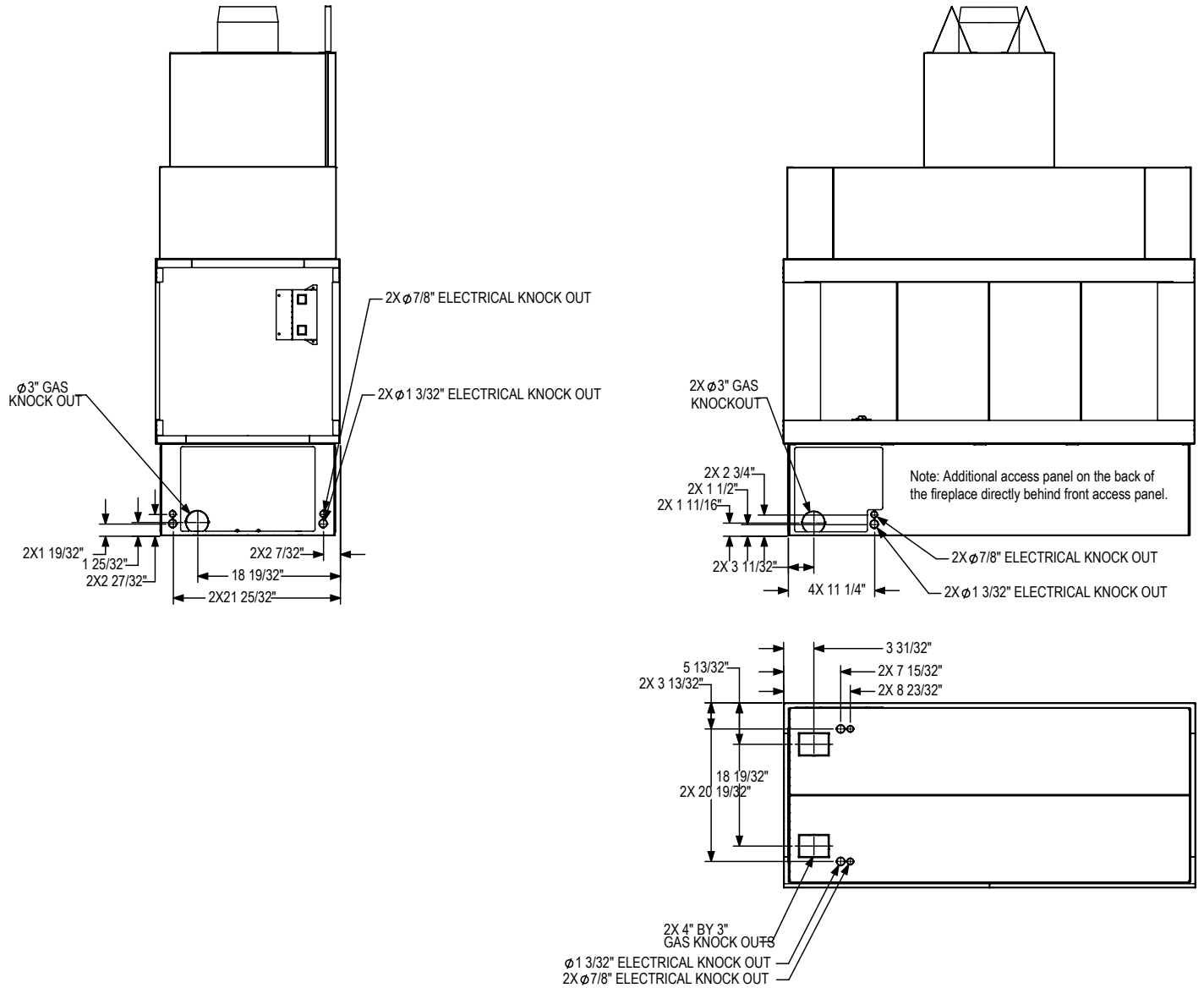


Figure 7B

## 8 - VENTING



**CAUTION:** Consult the local and national installation codes to assure adequate combustion and ventilation air is available.



**NOTE:** Flame height and appearance will vary depending upon venting configuration and type of fuel used. Venting requirements apply to both Natural and Propane gas.



**STOP:** MAINTAIN ALL CLEARANCES AS STATED IN THIS INSTALLATION MANUAL.

### A. APPROVED VENTING & POWERVENT

Model #	B-Vent Flue	CFM's Air	RS Powervent
4-SS-18-LOH	8	370	RS12
5-SS-18-LOH	10	455	RS12
6-SS-18-LOH	10	535	RS12
7-SS-18-LOH	10	620	RS12
8-SS-18-LOH	12	700	RS12
9-SS-18-LOH	12	785	RS14
10-SS-18-LOH	12	865	RS14
4-SS-24-LOH	10	480	RS12
5-SS-24-LOH	10	590	RS12
6-SS-24-LOH	12	700	RS14
7-SS-24-LOH	12	809	RS14
8-SS-24-LOH	12	920	RS14
9-SS-24-LOH	14	1,030	RS16
10-SS-24-LOH	14	1,140	RS16

### B.1 SYSTEM SUPPLY VOLTAGE

POWERVENT MODEL NUMBER	VAC	AMPS
RS12	120	3.2
RS14	120	3.4
RS16	120	5.9

### B.2 POWERVENT SUPPLY VOLTAGE

POWERVENT MODEL NUMBER	VAC	AMP	H/P
RS12	120	1.2	1/9
RS14	120	1.4	1/7
RS16	120	5.9	1/3

\*Amperage listed is the maximum required for the appliance with all options.

Refer to the vent systems manufacturer's installation manual for complete installation instructions.

Installation must conform with the venting requirements and restrictions as outlined in this manual.

SEE CHART ABOVE FOR SIZE diameter B-Type Venting that must be used. UL/CSA approved B-Vent only. DO NOT decrease the vent size.

Vent runs are approved for up to 110 feet with quantity of eleven 90 degree elbows.



**NOTE:** All pipe and elbow joints must be sealed. This includes the longitudinal seam on the pipe. High Temp RTV Silicone and/or foil tape **MUST** be used on each joint/seam. Failure to do so may cause lack of vacuum and may not trigger the vacuum switch.



**ATTIC INSTALLATIONS:** Use an attic shield to maintain the required 1 [25] clearance to insulation.

## 8 - VENTING

### MAKE-UP REQUIREMENTS


This fireplace takes air from the house. **MAKE-UP AIR IS REQUIRED.** Local codes must be followed. The make-up air must be sized appropriately for all appliances that require room air. **The fireplace will draw from the room: See Table 8C.**

#### 8C. CFM REQUIREMENT


Model #	CFM's Air
4-SS-18-LOH	370
5-SS-18-LOH	455
6-SS-18-LOH	535
7-SS-18-LOH	620
8-SS-18-LOH	700
9-SS-18-LOH	785
10-SS-18-LOH	865
4-SS-24-LOH	480
5-SS-24-LOH	590
6-SS-24-LOH	700
7-SS-24-LOH	809
8-SS-24-LOH	920
9-SS-24-LOH	1,030
10-SS-24-LOH	1,140


The powered make up air unit must be wired to the fireplace so the fireplace can not run without make-up air running. With the house doors and window completely closed and all air consumption appliances running (bath fans, kitchen hoods, clothes dryers, any other fireplaces, etc.), test the draw at the fireplace with a smoke match.

Employ a HVAC contractor to properly size the make up air unit, if necessary.



**DANGER:** Not to be installed in a bedroom or bathroom per National Fuel Gas Code.





This is an open hearth fireplace.  
**100% OF THE FLUE PRODUCTS MUST BE EXHAUSTED OUT OF THE FLUE.**  
 Check for flue gas spillage. Install carbon monoxide detectors for safety.  
 As part of the operational check of the make up air unit and fireplace, flue gas spillage must be checked.  
 Consult a HVAC contractor is uncertain about how to conduct the test.

Open hearth fireplaces are susceptible to drafts within the structure. Furnace vents, ceiling fans, floor fans and other air moving devices can cause the flue gas to spill. Care should be taken to keep these devices away from the fireplace.

## 8 - VENTING

### D. RS SERIES POWERVENT SPECIFICATIONS

#### Available Power Venting

A power vent (RS12, RS14 & RS16) are approved for use with this appliance. It is crucial that all B-Vent pipe and elbow joints, and the longitudinal seam are sealed using a high temperature RTV Silicone and/or foil tape.

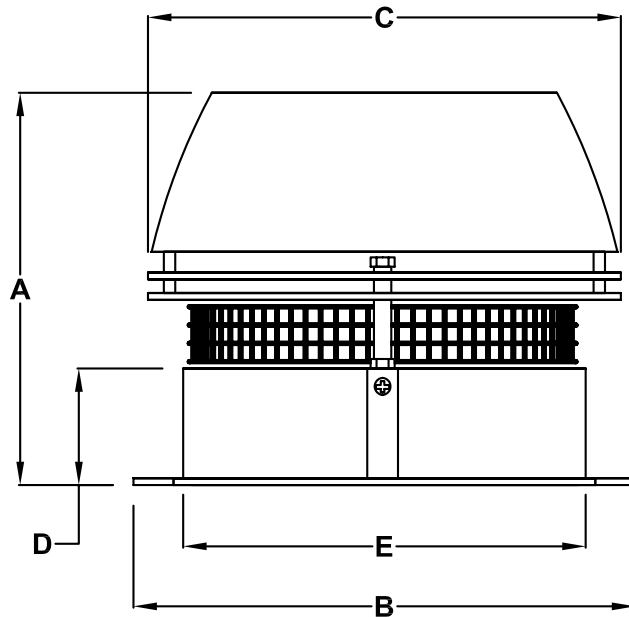


Figure 8D

MODEL	RS12	RS14	RS16
Fan Type	Axial Vane	Axial Vane	Axial Vane
Motor Type	Totally enclosed, variable speed, Class F	Totally enclosed, variable speed, Class F	Totally enclosed, variable speed, Class F
Voltage (VAC)	1 x 120	1 x 120V @ 60Hz	1 x 120V @ 60Hz
RPM	1600	1600	1600
CFM	950	1400	1950
Amperage (Amps)	1.2	1.4	3.9
Motor Output HP (kW)	1/9 (0.08)	1/7 (0.1)	1/3 (0.25)
Weight lbs (kg)	37 (17)	47 (21)	61 (28)
Dimension A in. (mm)	11.5 (292)	13.1 (334)	16.0 (407)
Dimension B x B in.(mm)	14.3 (364)	16.6 (422)	18.8 (478)
Dimension C in. (mm)	13.5 (344)	15.5 (395)	17.4 (441)
Dimension D in. (mm)	3.3 (85)	3.9 (100)	3.9 (100)
Dimension E in. (mm)	11.6 (294)	13.5 (342)	3.9 (100)
Temperature Rating-Intermittent	575 °F / 300 °C	575 °F / 300 °C	575 °F / 300 °C
Temperature Rating-Continuous	482 °F / 250 °C	482 °F / 250 °C	482 °F / 250 °C



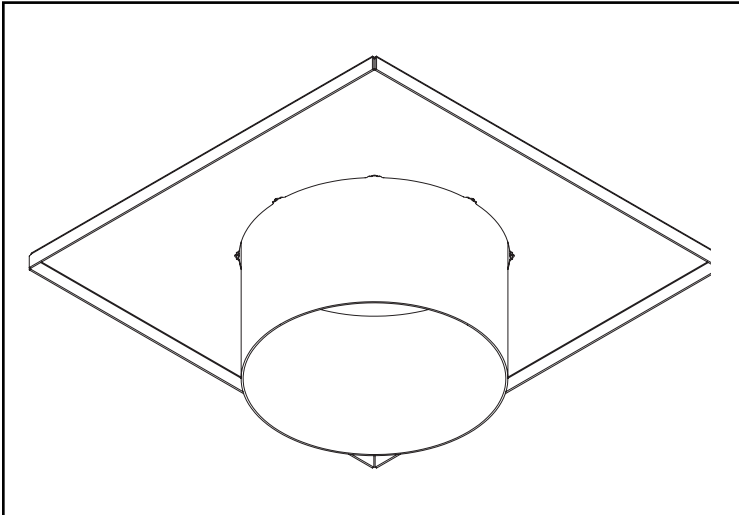
## 8 - VENTING

### E. CHIMNEY COLLAR DIMENSIONS

#### Chimney Collar Dimensions

A chimney collar is included. The chimney collar is used to attach the RS power vent. Table D shows the base size dimensions referred to in Figure 8D.1.

Figure 8D.1 Chimney Collar Base



#### E. CHIMNEY COLLAR BASE DIMENSIONS

B-Vent Flue Ø	RS Powervent	Base Size Inches	Base Size Millimeters
8	RS12	14.5x 14.5	368 x 368
10	RS12	17.1 x 17.1	435 x 435
12	RS14	15.6 x 15.6	396.2 x 396.2
14	RS16	19.7 x 19.7	500.3 x 500.2
16	RS16	22.1 x 22.1	561.3 x 561.3
18	RS16	22.1 x 22.1	561.3 x 561.3

### F. HORIZONTAL VENT SYSTEM CLEARANCES

ALL APPROVED VENTING	TOP	BOTTOM	SIDES
HORIZONTAL	1 [25]	1 [25]	1 [25]

inches [mm]

### G. WALL PASS-THROUGH - Follow all local codes for requirement of firestops.

### H. PITOT TUBE INFORMATION

There is a 1/4" pitot tube mounted under the passive damper up inside the top of the exhaust passage. This ensures the damper opens and there is proper suction to evacuate the flue products.

This monitors the pressure in the flue and is necessary for proper operation.

Take care to keep the end of the tube clean.

**IMPORTANT: THIS TUBE MUST NOT BE BENT, CLOGGED, REMOVED, OR ALTERED IN ANY WAY.**

### I. STANDARD NON-MECHANICAL EXHAUST DAMPER

This fireplace is equipped with a PATEND-PENDING FLEXIBLE NON-METALLIC DAMPER that allows flue gases to flow out, but air is not allowed to flow in. This damper requires no maintenance or interaction. The force of the power vent will pull it open.

## 8 - VENTING

### J. VERTICAL TERMINATION GUIDELINES

- The fireplace must terminate with the included approved powered termination cap.
- **NO SUBSTITUTION IS ACCEPTABLE.**
- Carefully follow the instructions included with the approved powered termination cap.
- **DO NOT** use an additional speed control on this powervent.
- You must use the included Capacitor.

### K. HORIZONTAL TERMINATION VENT CAP LOCATION & CLEARANCE

**This gas appliance must not be connected to a chimney serving any other appliance.**

- DO NOT RECESS TERMINATION KIT INTO OUTSIDE BUILDING MATERIALS - i.e.: brick, stone, siding, etc. If necessary, extend framing so that termination kit will be exposed once building materials are installed.
- Vent termination must not be located where it will become plugged by snow or other material. The flow of combustion and ventilation air must not be obstructed.

#### LOCATION CLEARANCES:

- A. Above grade, veranda, porch, deck, balcony - 12 inches [305 mm].
- B. Operable window or door - 12 inches [305 mm].
- C. Permanently closed window\* - 12 inches [305 mm] (recommended to prevent condensation on window).
- D. Ventilated soffit\* - 24 inches [610 mm]. Unventilated soffit\* - 12 inches [305 mm].
- E. Vinyl soffit\* - 36" [914 mm].
- F. Outside corner\* - 6 inches [152 mm].
- G. Inside corner\* to non-combustibles - 12 inches [305 mm]. Inside corner\* to combustibles - 24 inches [610 mm].
- H. Meter / Regulator: Not to be installed above a gas meter/regulator assembly within 3 ft. [914 mm] horizontally from the center-line of the regulator.
- I. Gas Service regulator vent outlet - 3 ft. [914 mm].
- J. Non-mechanical air supply inlet to building or the combustion air inlet to any other appliance.  
US: 9" [229 mm] CANADA: 12 inches [305 mm].
- K. Mechanical air supply inlet.  
US: 3 ft. [914 mm] above if within 10 ft. [3.05 m] horizontal. Massachusetts installations: 10 ft. [3.05 m].  
CANADA: 6 ft. [1.83 m].
- L. Above paved side-walk or paved driveway located on public property - 7 ft. [2.13 m].
- M. Under veranda, porch, deck, or balcony [must be fully opened on a minimum of 2 sides] - Combustible - 24 inches [610 mm],  
Non-Combustible - 12 inches [305 mm].
- N. Between two horizontal terminations - 12 inches [305 mm]. (Not shown in Figure 8I).
- O. Between two vertical terminations - 12 inches [305 mm]. Terminations may be same height (Not shown in Figure 8I).

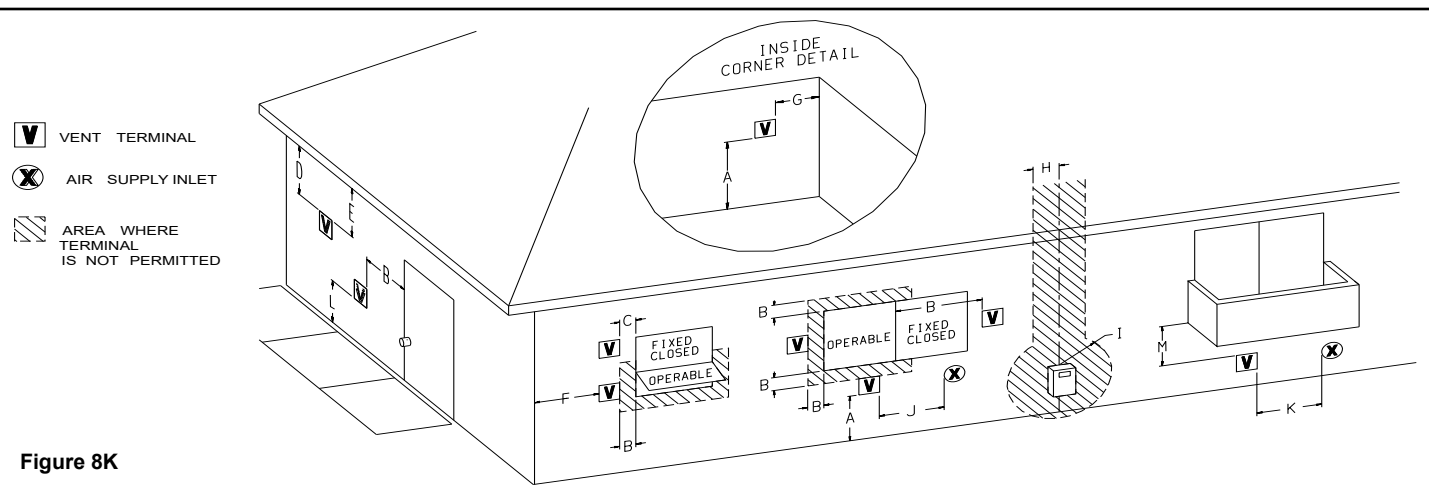
N & O: Minimum of 12 inches [305 mm] required when two exhaust termination caps are placed next to each other. Measurement must be taken from inside edge of one steel chimney adapter to the inside edge of the other steel chimney adapter. A metal divider plate with same length and height as termination cap is required to be installed between the caps. Divider plate is not required if caps are at least 24 inches [610 mm] apart, measured edge to edge.

P. Above furnace exhaust or inlet - 12 inches [305 mm]. (Not shown in Figure 8K).

\*Clearance must be in accordance with local installation codes & the requirements of the gas supplier.



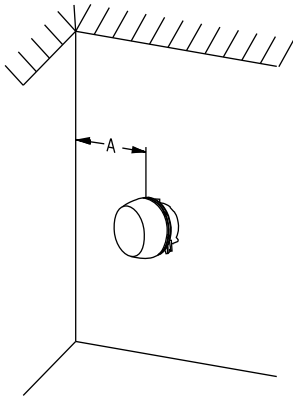
**NOTE: A vent cannot be located directly above a side-walk or paved driveway that is located between two single family dwellings and serves both dwellings.**



# 8 - VENTING

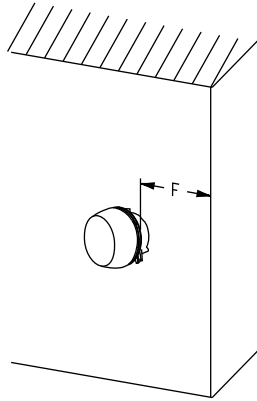
## L. HORIZONTAL TERMINATION VENT CAP LOCATION & CLEARANCES

Inside Corner



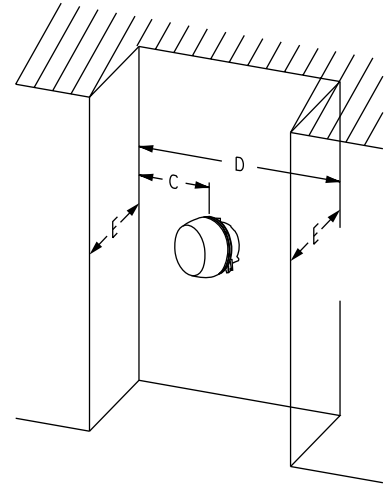
A = Combustible 24" (609.6mm)  
= Non-combustible 12" (304.8mm)

Outside Corner



F = Combustible 6" (152mm)  
= Non-combustible 6" (152mm)

Recessed Location

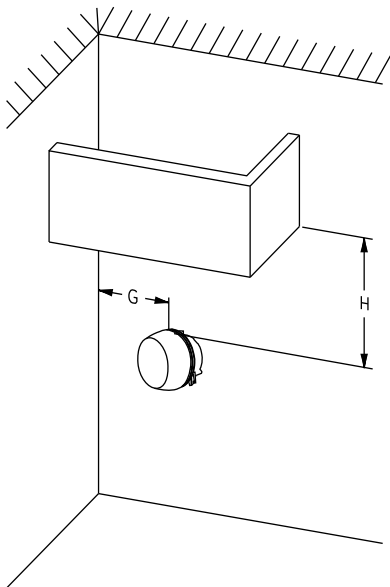


C = Clearance from corner in recessed location  
= Combustible 24" (609.6mm)  
= Non-combustible 12" (304.8mm)

D = Minimum width for back wall of a recessed location  
= Combustible 64" (1,625.6mm)  
= Non-combustible 40" (1,016mm)

E = Maximum depth of 48" (1,219mm) for recessed location

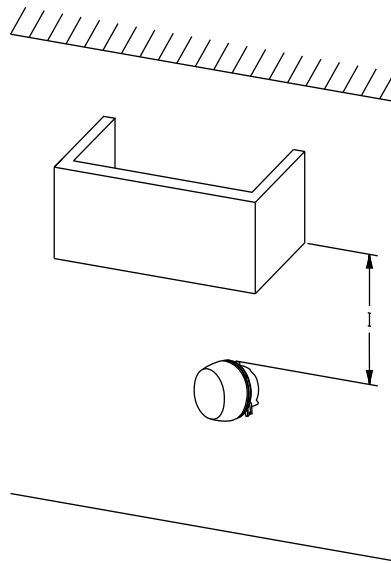
Balcony with perpendicular side wall



G = Combustible 24" (609.6mm)  
= Non-combustible 12" (304.8mm)

H = Combustible 24" (609.6mm)  
= Non-combustible 12" (304.8mm)

Balcony with no side wall



I = Combustible 24" (609.6mm)  
= Non-combustible 12" (305mm)

**IMPORTANT:**  
All dimensions are from the edge of the cap.

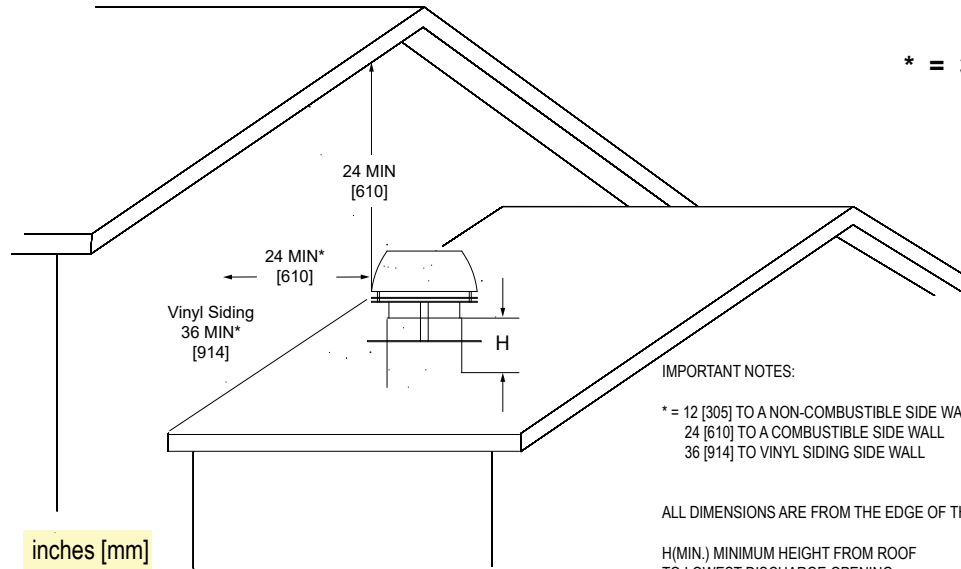
NOTE: Vinyl sided needs additional clearanced. Add 12" (305mm) to combustible clearances for vinyl siding.

Figure 8L

# 8 - VENTING

## M. VERTICAL VENT CAP LOCATION AND CLEARANCES

Figure 8M



ROOF PITCH	H (Min.) Ft.	H (Min.) M.
FLAT TO 6/12	1.0*	0.30
OVER 6/12 TO 7/12	1.25*	0.38
OVER 7/12 TO 8/12	1.5*	0.46
OVER 8/12 TO 9/12	2.0*	0.61
OVER 9/12 TO 10/12	2.5*	0.76
OVER 10/12 TO 11/12	3.25*	0.99

ROOF PITCH	H (Min.) Ft.	H (Min.) M.
OVER 11/12 TO 12/12	4.0	1.22
OVER 12/12 TO 14/12	5.0	1.52
OVER 14/12 TO 16/12	6.0	1.83
OVER 16/12 TO 18/12	7.0	2.13
OVER 18/12 TO 20/12	7.5	2.27
OVER 20/12 TO 21/12	8.0	2.44

## N. VERTICAL -CLEARANCES TO OTHER CAPS - RS14/16

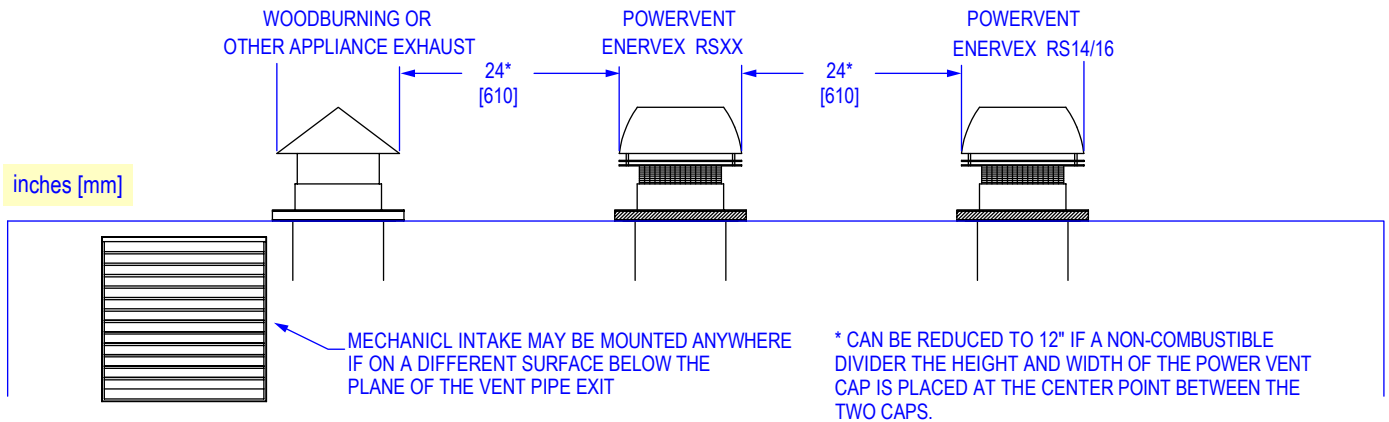


Figure 8N

# 8 - VENTING

## O. WALL TERMINATION CAP INSTALLATION

B-Vent Flue Ø	Framing Size Inches (W x H)	Framing Size Millimeters (W x H)
8	11-3/4 x 11-3/4	298 x 298
18	13-1/4 x 13-1/4	337 x 337
12	15-1/2 x 15-1/2	393.7 x 393.7
14	17-1/2 x 17-1/2	444.5 x 444.5
16	19-1/2 x 19-1/2	495.3 x 495.3
18	21-1/2 x 21-1/2	546.1 x 546.1

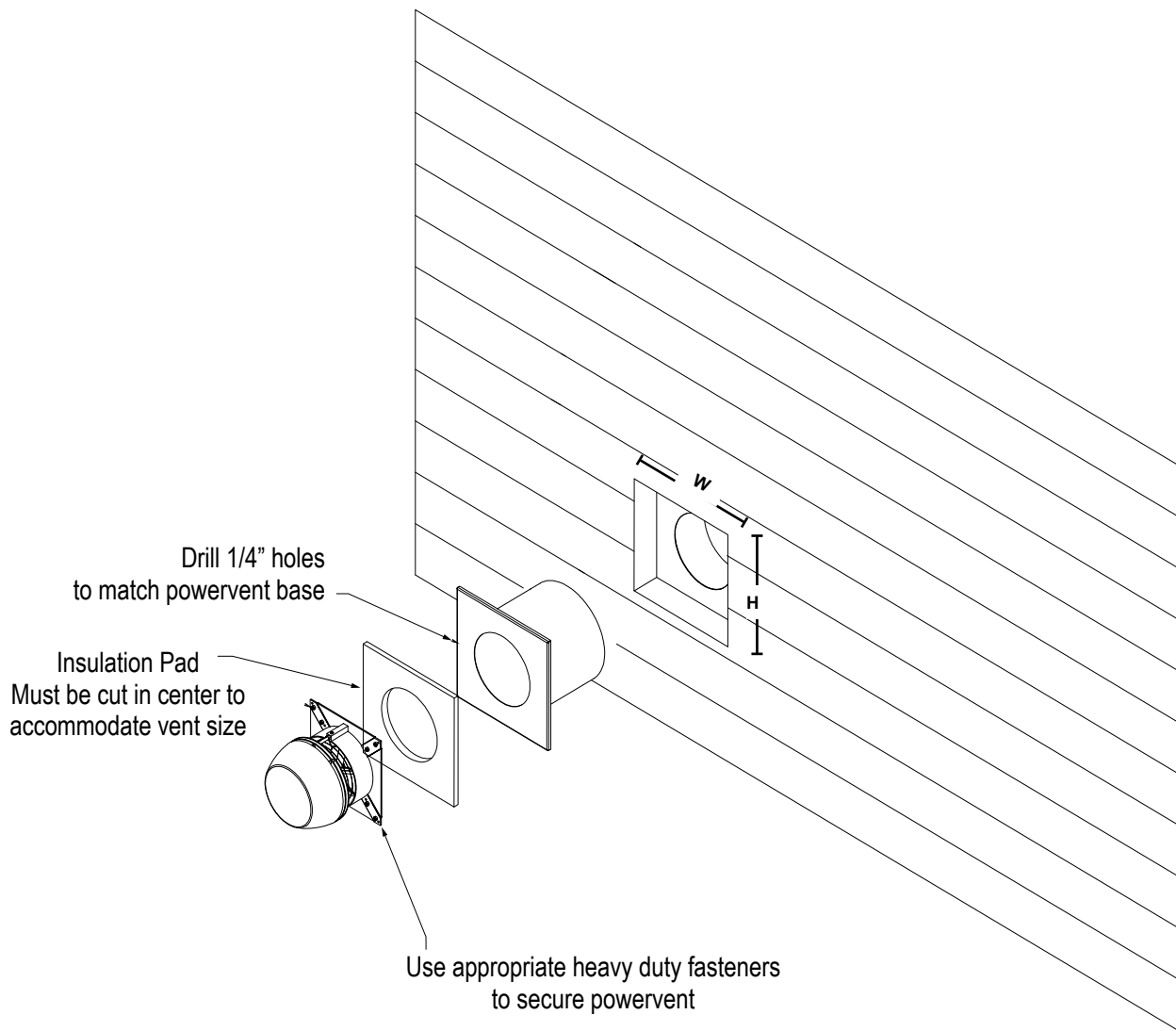


Figure 80

# 8 - VENTING

## P. ROOF TERMINATION CAP INSTALLATION

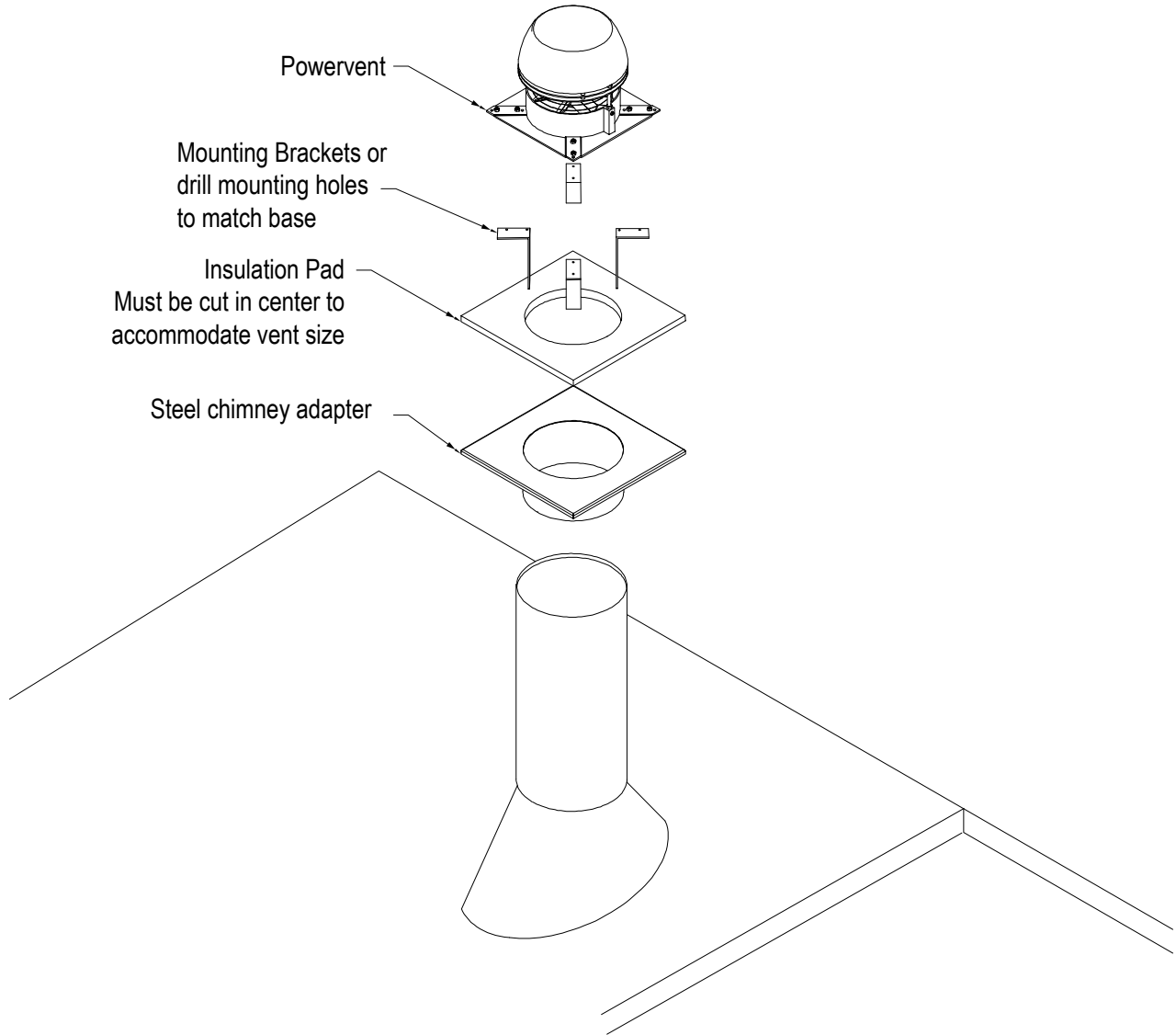


Figure 8P

## 8 - VENTING

### Q. CHASE TOP CAP INSTALLATION

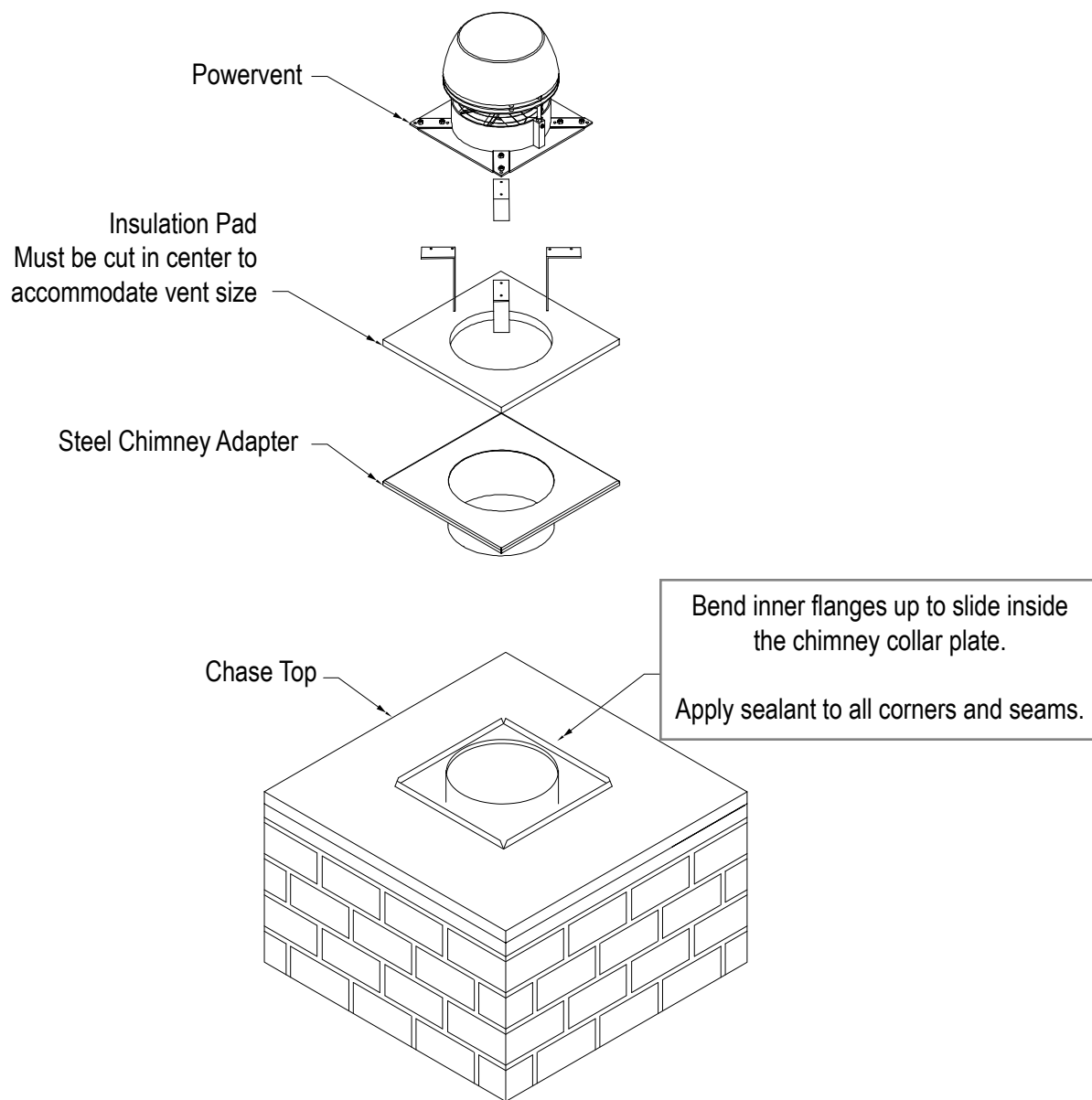
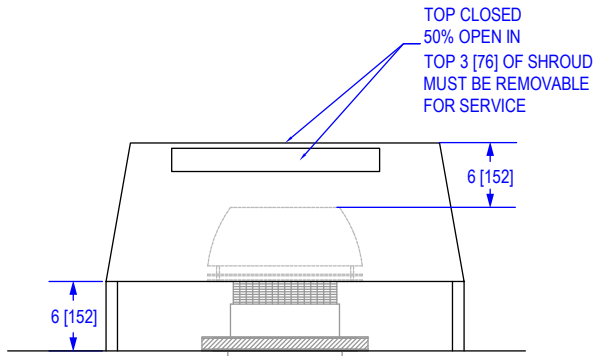


Figure 8Q

# 8 - VENTING

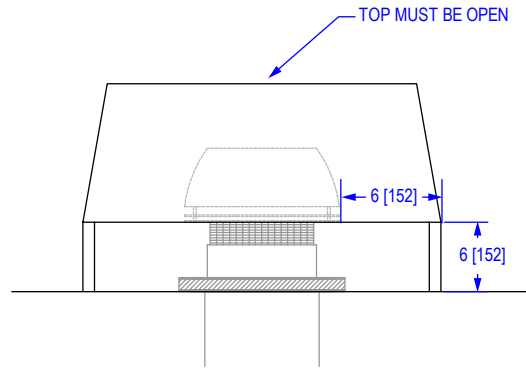
## R. CHIMNEY SHROUD TYPES AND SPECIFICATIONS

NON-COMBUSTIBLE CONSTRUCTION ONLY ALLOWED



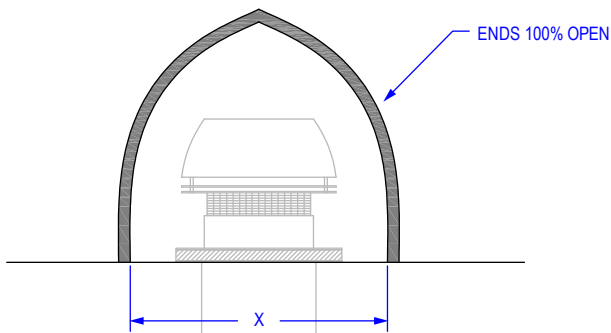
SQUARE OR RECTANGLE ALL FOUR SIDES & TOP ENCLOSED

Figure 8R.1



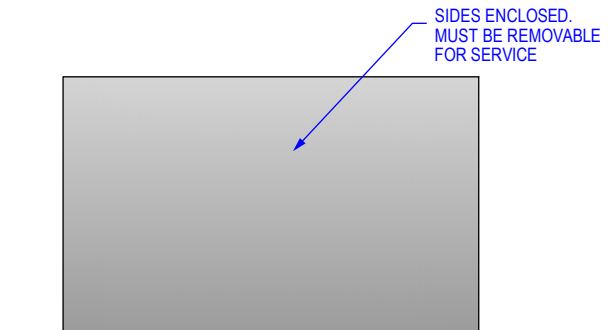
SQUARE OR RECTANGLE ALL FOUR SIDES ENCLOSED

Figure 8R.2



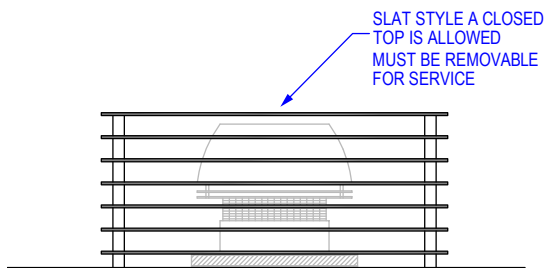
RS12 X=33.5 [851]  
RS14 X=35.5 [902]  
RS16 X=37.4 [950]

Figure 8R.3



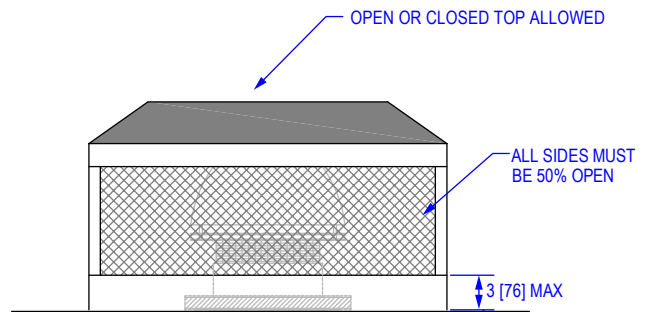
CATHEDRAL STYLE TWO SIDES SOLID

Figure 8R.4 (Side View)



SQUARE OR RECTANGLE ALL FOUR SIDES SLATTED

Figure 8R.5  
(Front View)



SQUARE OR RECTANGLE ALL FOUR SIDES EXPANDED METAL

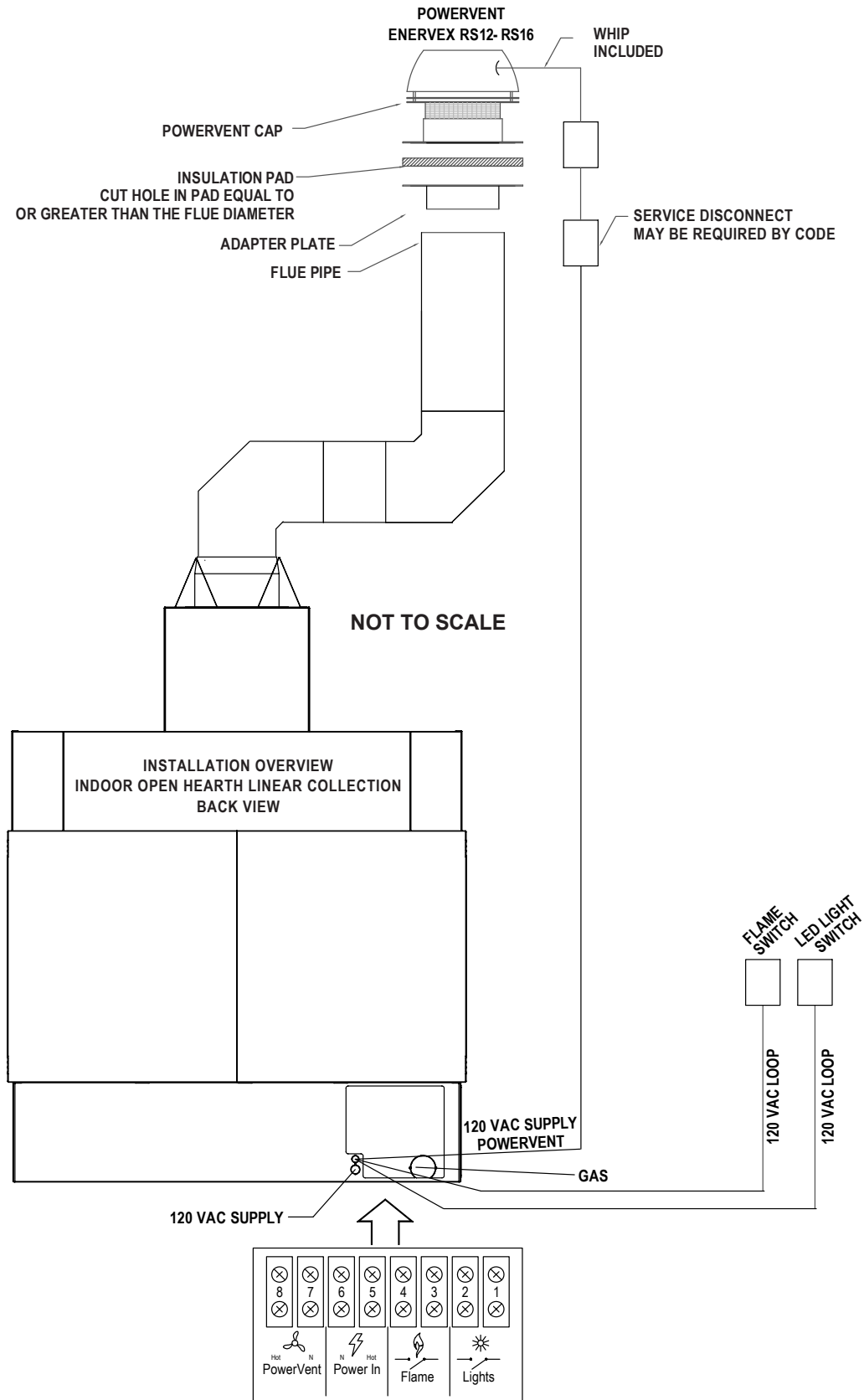
Figure 8R.6

inches [mm]



# 9 - ELECTRIC

## A. ELECTRICAL INSTALLATION OVERVIEW - STANDARD



# 9 - ELECTRIC

## B. ELECTRICAL WIRING SCHEMATIC - TROUBLESHOOTING



**NOTE:** The appliance, when installed, must be electrically grounded in accordance with local codes or, in the absence of local codes, with the *National Electrical Code, ANSI/NFPA 70, or the Canadian Electrical Code, Part 1, CSA C22.1.*

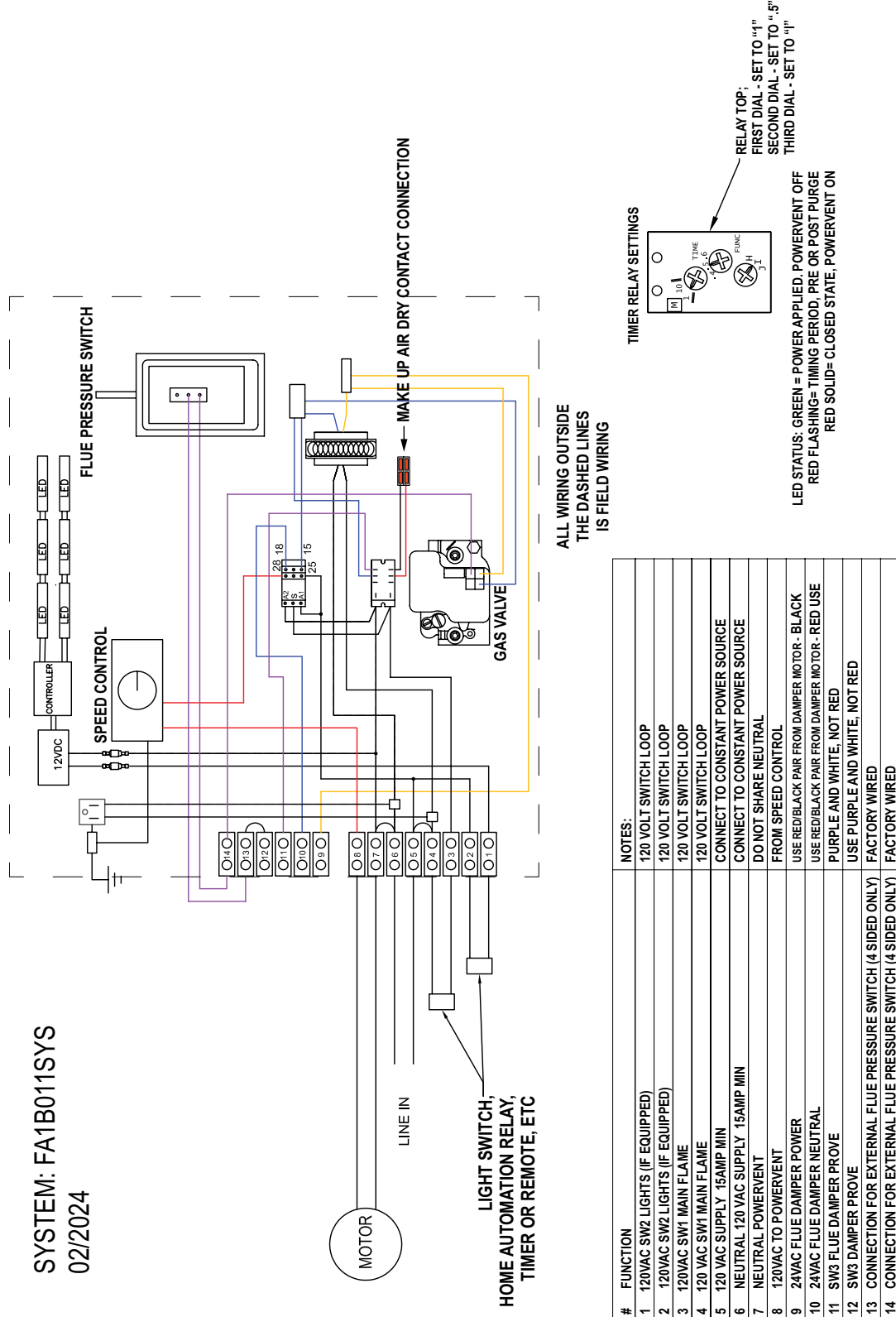
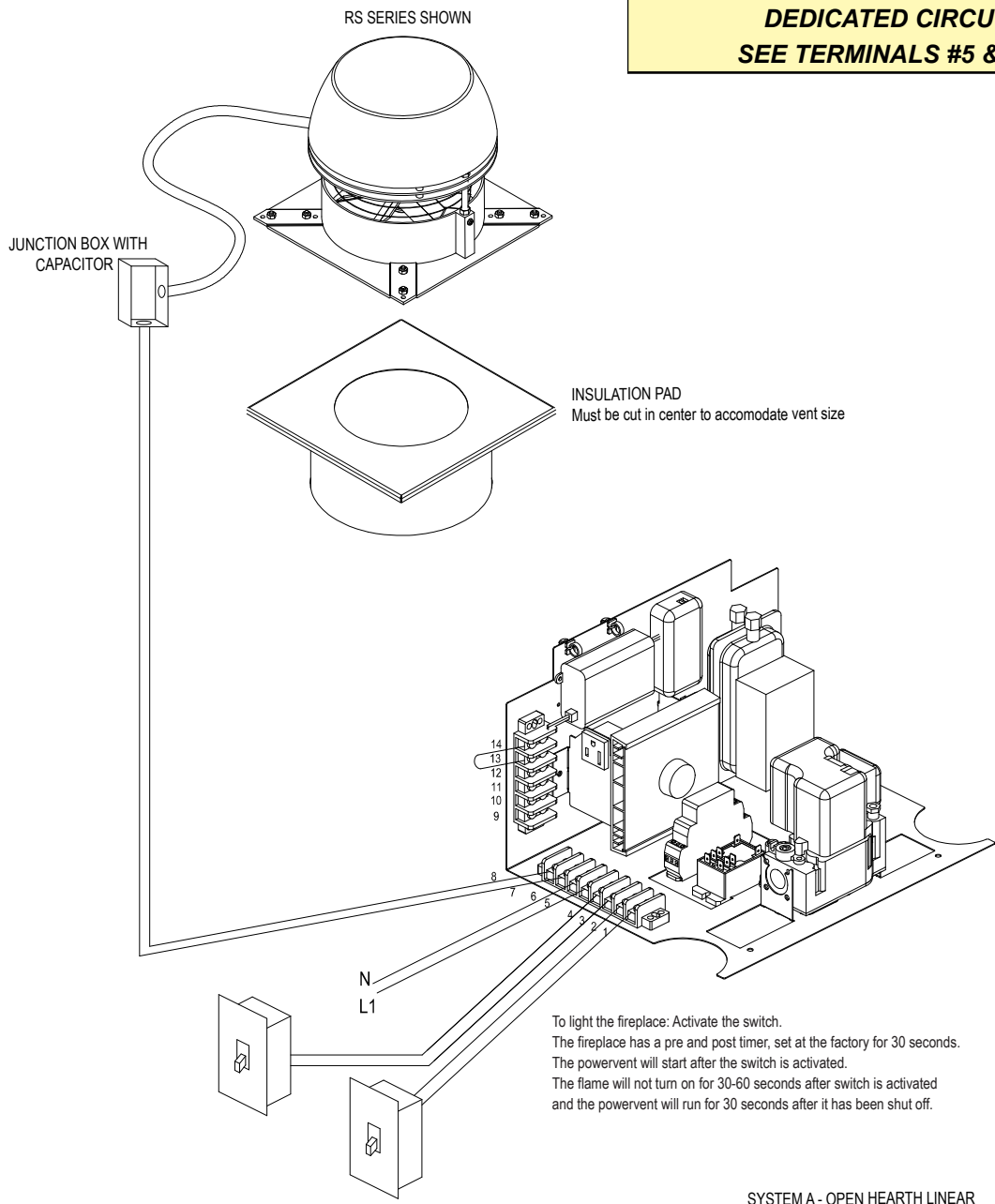


Figure 10 B.1

# 9 - ELECTRIC

## C.1 ELECTRICAL WIRING SCHEMATIC - FIELD

**WIRE THE FIREPLACE TO A 15 AMP MIN DEDICATED CIRCUIT. SEE TERMINALS #5 & #6.**



SYSTEM A - OPEN HEARTH LINEAR

#	FUNCTION	NOTES:
1	120 VAC SW2 LIGHTS - IF EQUIPPED	120 VOLT SWITCH LOOP
2	120VAC SW2 LIGHTS - IF EQUIPPED	120 VOLT SWITCH LOOP
3	120VAC SW1 MAIN FLAME	120 VOLT SWITCH LOOP
4	120 VAC SW1 MAIN FLAME	120 VOLT SWITCH LOOP
5	120 VAC SUPPLY	CONNECT TO CONSTANT POWER SOURCE
6	NEUTRAL	CONNECT TO CONSTANT POWER SOURCE
7	NEUTRAL POWERVENT	DO NOT SHARE NEUTRAL
8	120VAC POWERVENT	FROM SPEED CONTROL
9	24VAC FLUE DAMPER POWER - OPTIONAL	USE RED FROM RED/BLACK PAIR
10	24VAC FLUE DAMPER NEUTRAL - OPTIONAL	USE BLACK FROM RED/BLACK PAIR
11	SW3 FLUE DAMPER PROVE - OPTIONAL	USE PURPLE AND WHITE, NOT RED
12	SW3 DAMPER PROVE - OPTIONAL	USE PURPLE AND WHITE, NOT RED
13	CONNECTION FOR EXTERNAL FLUE PRESSURE SWITCH (4 SIDED ONLY)	FACTORY WIRED
14	CONNECTION FOR EXTERNAL FLUE PRESSURE SWITCH (4 SIDED ONLY)	FACTORY WIRED

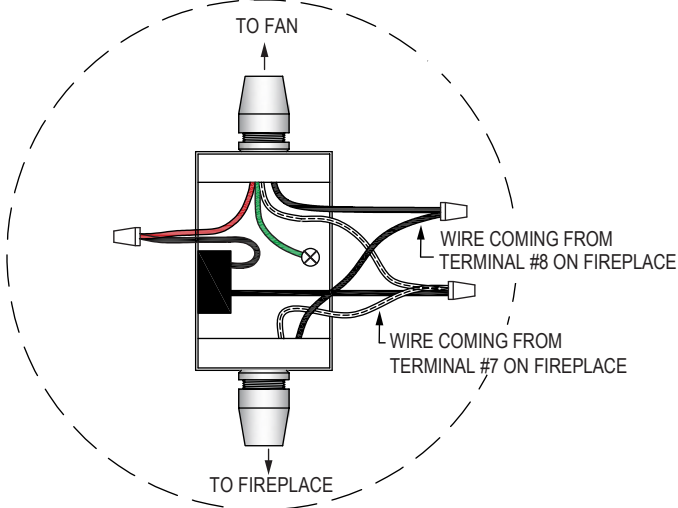
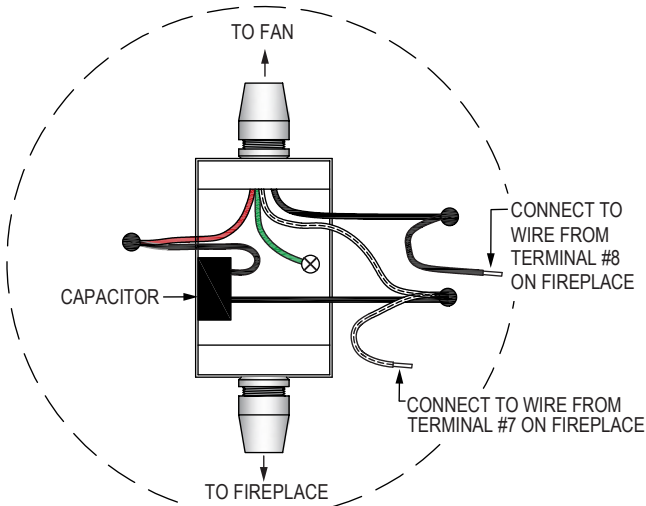
Figure 10 B.1

# 9 - ELECTRIC

## C.2 JUNCTION BOX & CAPACITOR

**DO NOT DISCARD  
JUNCTION BOX - CAPACITOR INSIDE**

### JUNCTION BOX PRE-WIRED FROM STELLAR



### JUNCTION BOX WIRING FROM ENERVEX

Figure 10 B.2

## D.1 TERMINALS 1 & 2 - LED LIGHTING

### TERMINAL 1 & 2: LED LIGHTING

TERMINAL #2	HAS 120VAC POWER TO SUPPLY A SWITCH, RELAY, TIMER, REMOTE, ETC.
TERMINAL #1	RETURNS 120VAC POWER TO ACTIVATE THE LED DRIVER.

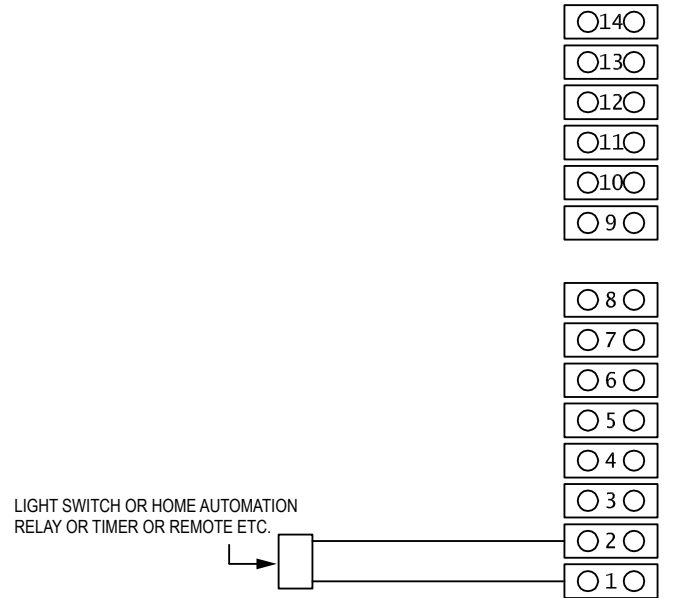


Figure 10 C.1

**NOTE FOR THE ELECTRICIAN:  
FIELD WIRING SHOULD BE LABELED  
FOR EASY IDENTIFICATION.**

# 9 - ELECTRIC

## D.2 TERMINALS 3 & 4 - MAIN FLAME

### TERMINAL 3 & 4 : MAIN FLAME

TERMINAL #4	TERMINAL #4 HAS 120VAC POWER TO SUPPLY A SWITCH, RELAY, TIMER,
TERMINAL #3	REMOTE, ETC. TERMINAL #3 RETURNS 120VAC POWER TO ACTIVATE TO MAIN FLAMES.

IF USING STANDARD ROMEX, CONNECT BLACK TO TERMINAL #4 AND WHITE TO TERMINAL #3.  
SINCE 120 VOLTS WILL TRAVEL ON WHITE, MARK THE WHITE WIRE ACCORDING TO CODE.

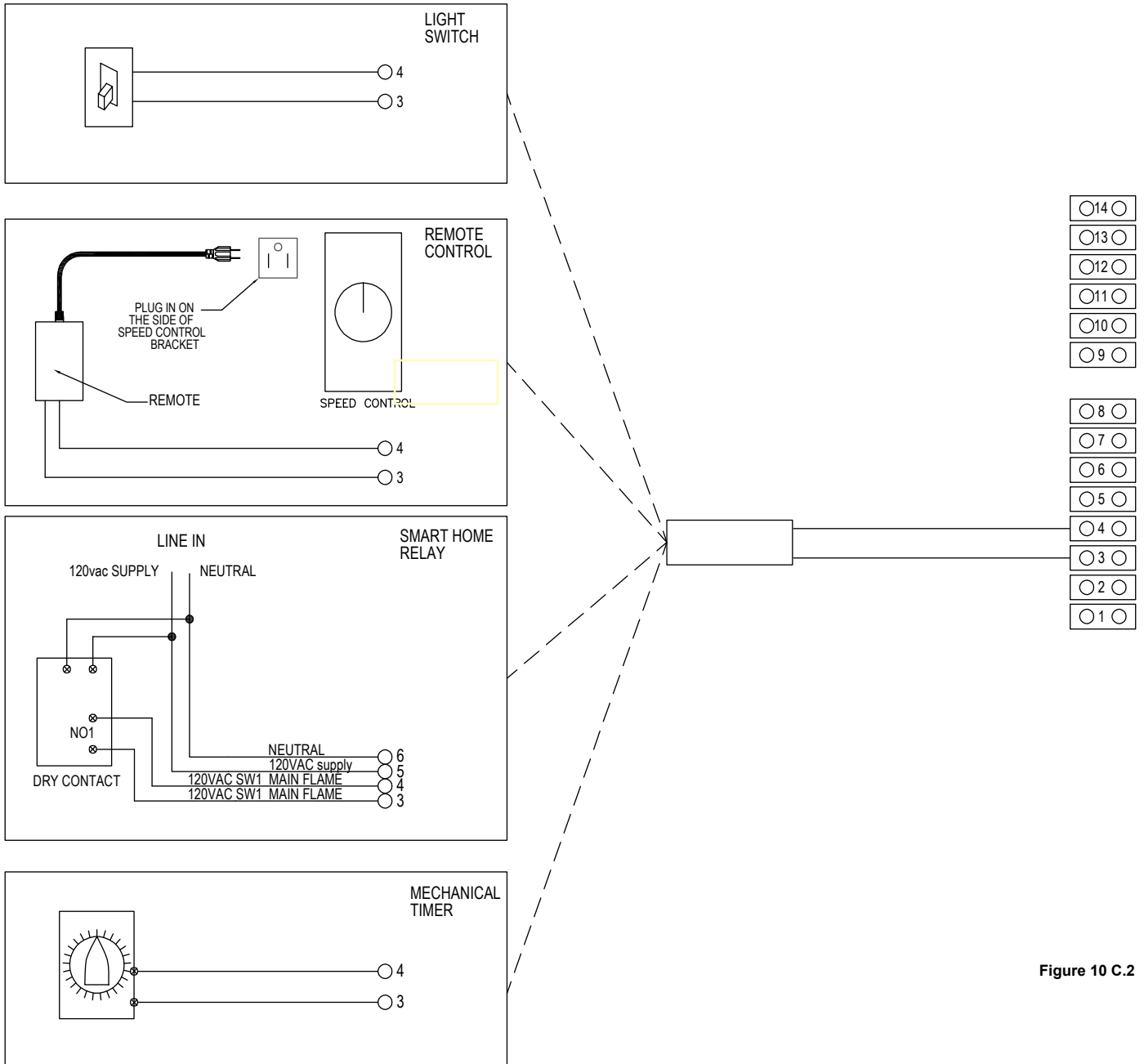


Figure 10 C.2

**SMART HOME RELAY NOTE: Generic diagram, follow specific relay manufactures instructions.**

# 9 - ELECTRIC

## D.3 - TERMINALS 5 & 6 FIREPLACE POWER

### TERMINAL 5 & 6: FIREPLACE POWER

GROUND - LOCATE THE GREEN WIRE CLUSTER  
CONNECT THE GREEN WIRE TAIL TO BUILDING GROUND

TERMINAL #5	IS THE 120VAC POWER SUPPLY FOR THE FIREPLACE. THIS IS A CONSTANT POWER SUPPLY AND SHOULD NOT BE SWITCHED. A SERVICE DISCONNECT MAY BE DESIRED.
TERMINAL #6	IS THE NEUTRAL CONNECTION

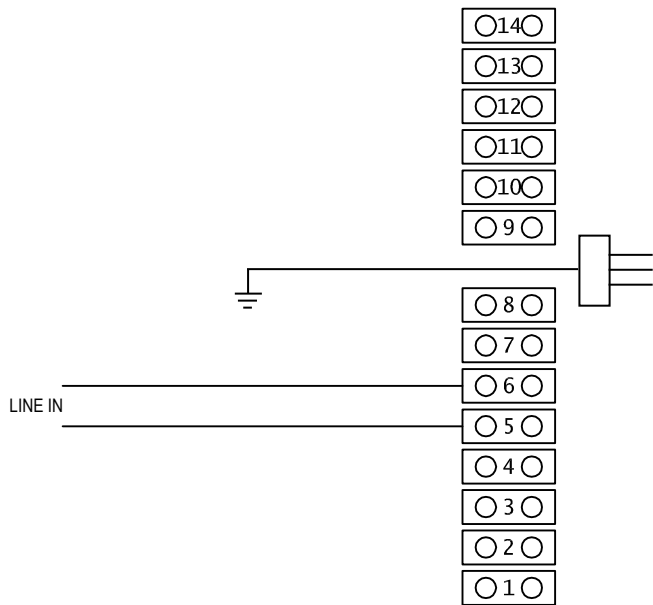


Figure 10 C.3

**WIRE THE FIREPLACE TO A 15 AMP MIN  
DEDICATED CIRCUIT.**

## D.4 - TERMINALS 7 & 8 POWERVENT MOTOR

### TERMINAL 7 & 8: POWERVENT CONNECTION

POWERVENT POWER MUST COME FROM THE TERMINAL BLOCK AND  
NOT ANY OTHER POWER SOURCE.

TERMINAL #8	IS THE HOT CONNECTION FOR THE POWERVENT MOTOR FROM THE SPEED CONTROL.
TERMINAL #7	IS THE NEUTRAL CONNECTION FOR THE POWERVENT MOTOR.

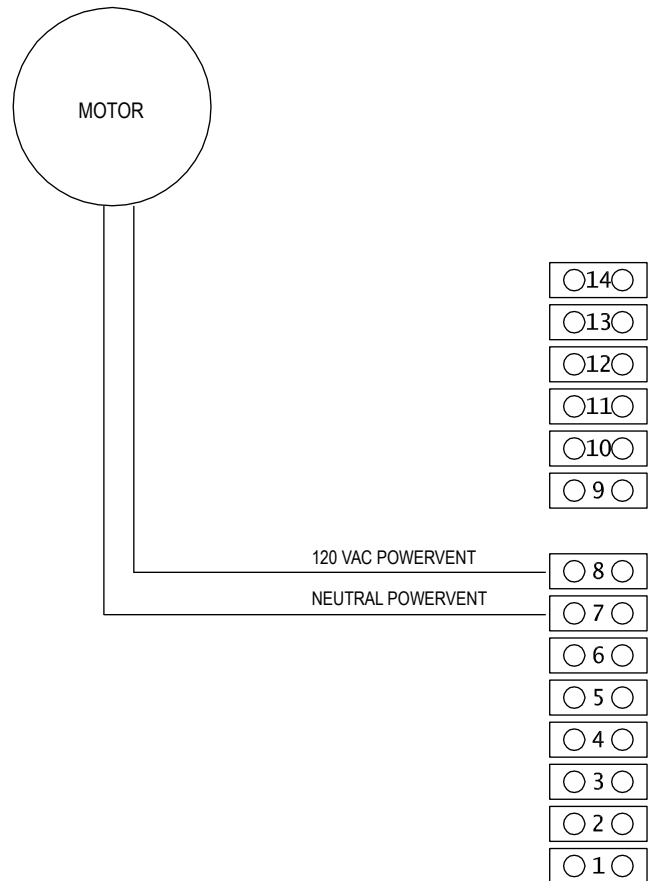


Figure 10 C.4

# 9 - ELECTRIC

## D.5 - TERMINALS 9 & 10 FLUE DAMPER CONNECTION

### TERMINALS 9 & 10: FLUE DAMPER CONNECTION

THIS IS LOW VOLTAGE AND EXTERNAL POWER MUST NOT BE APPLIED

TERMINAL #9	IS THE NEUTRAL CONNECTION FOR THE DAMPER MOTOR. BLACK WIRE.
TERMINAL #10	IS THE HOT CONNECTION FOR THE DAMPER MOTOR. RED WIRE.

NOTE: THIS IS OPTIONAL.  
IF A DAMPER IS NOT USED DO NOT CONNECT ANYTHING TO TERMINALS 9 & 10.

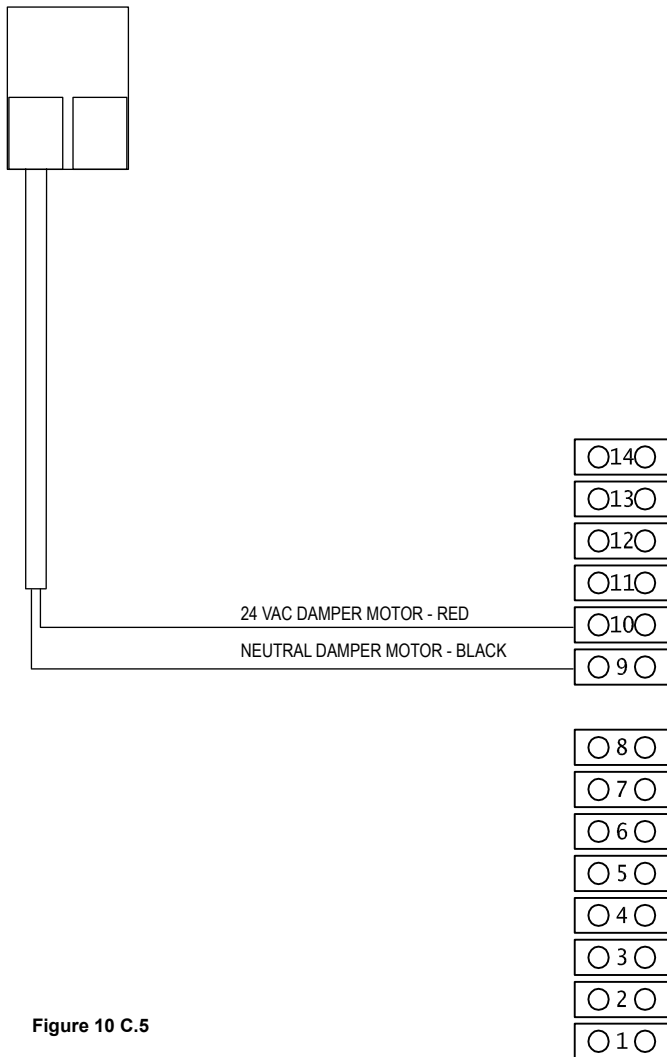


Figure 10 C.5

## D.6 - TERMINALS 11 & 12 FLUE DAMPER PROVE

### TERMINALS 11 & 12: FLUE DAMPER PROVE

THIS IS LOW VOLTAGE AND EXTERNAL POWER MUST NOT BE APPLIED

TERMINAL #11	CONNECTS TO THE WHITE WIRE FROM THE TRIPLE WIRE LEAD ON THE DAMPER MOTOR.
TERMINAL #12	CONNECTS TO THE PURPLE WIRE FROM THE TRIPLE WIRE LEAD ON THE DAMPER MOTOR.

NOTE: THIS IS OPTIONAL.  
IF A DAMPER IS NOT USED TERMINALS 11 & 12 HAVE A JUMPER ACROSS THEM

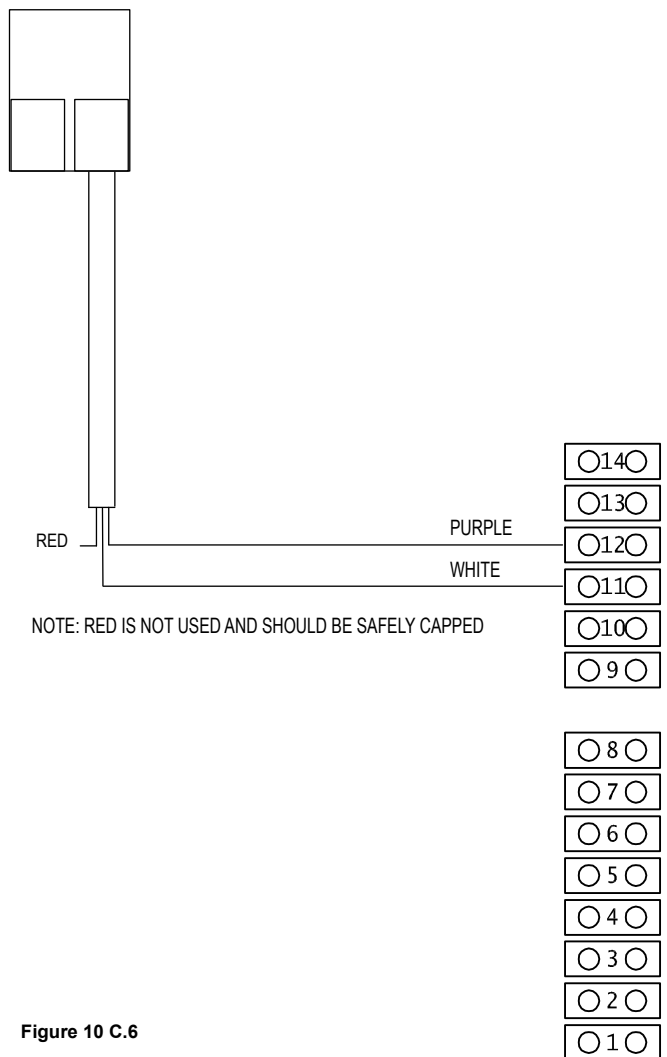


Figure 10 C.6

### Low Voltage Wire Gauge - Max Length

Feet [Meters]

Transformer Output	12 awg	14 awg	16 awg	18 awg
40VA(W)	453 [138]	285 [86.9]	179 [54.56]	113 [34.4]

Use a minimum of 18 awg wire

## 10 - TETHERED ELECTRIC

### A. TETHERED CONTROL PANEL INSTALLATION GUIDELINES

The Indoor tethered control box is meant to provide an easier access to the controls when a fireplace is mounted in a difficult location, when the fireplace base is shorter than normal, or when it is desired to have the controls in another location.

The tethered control box also gives the electrician an easier location to connect the high voltage wiring. Follow all local codes.

Choose a location suitable for the box. The box should be close enough to the fireplace to accommodate the low voltage harness that connects the box with the fireplace. The low voltage harness comes in 30, 50, 75, and 100 foot lengths. Often a mechanical room, closet, cabinet, or something of that nature is chosen for the location. Keep in mind the wiring knockouts and if the box will be recessed in the stud cavity or if conduit will be used. Follow all local electrical codes.

Securely mount the box using the attachment holes in the back wall. Mount the box to a solid surface so it can not move.

If recessing in the wall, choose a stud cavity wide enough to accommodate the knockouts in the sides and the wires passing through them. The outdoor box has all knockouts on the bottom.

Connect the high voltage input, high voltage output to the powervent, high voltage switch loops to the box following the wiring instructions in the specific fireplace manual.

Connect the low voltage harness to the connector inside the box and to the connector under the fireplace adjacent to the valve.



Figure 10

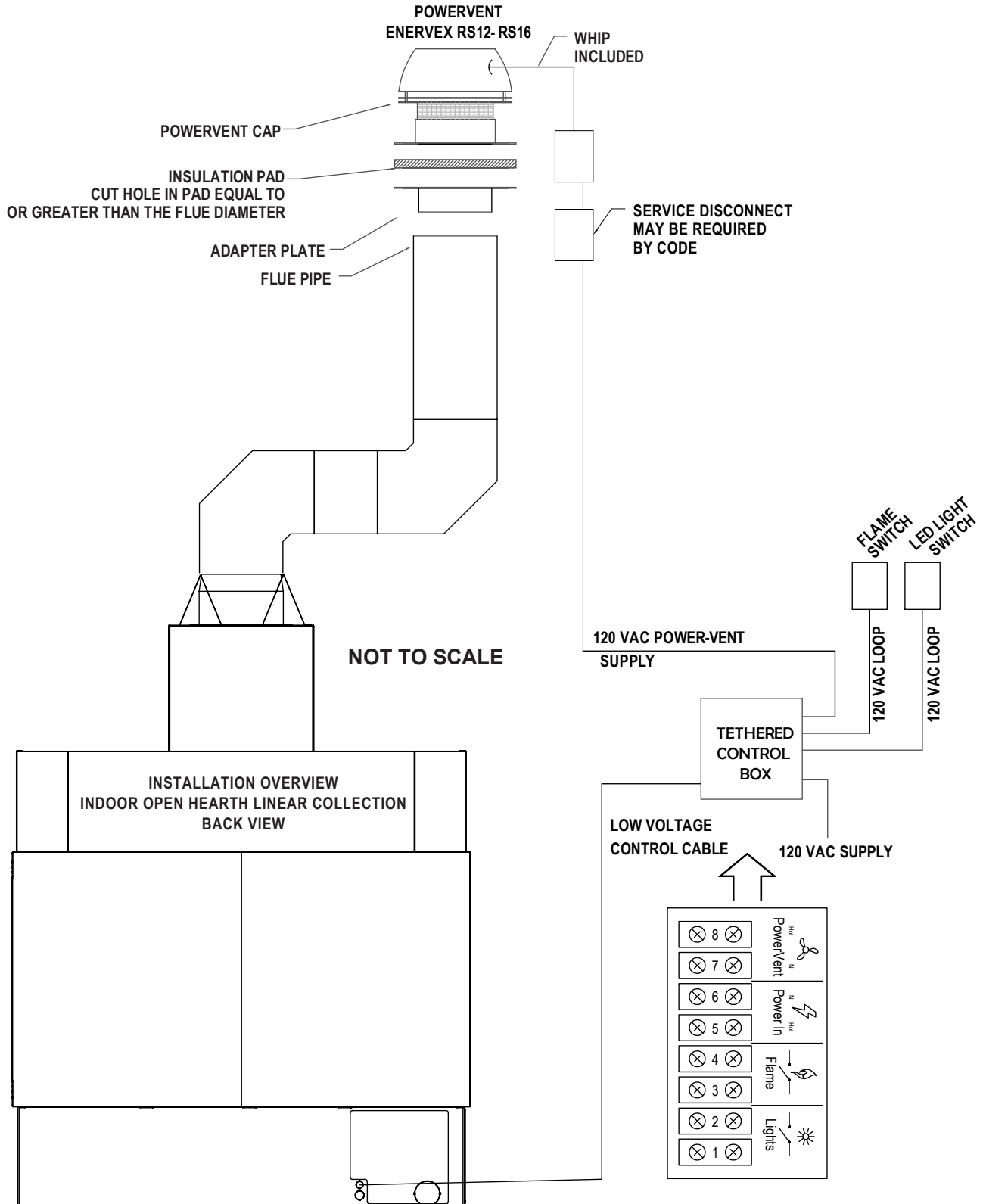


# 10 - TETHERED ELECTRIC

For Standard Electric Installation Refer To Section 9 (D.1- D.6)

## B. TETHERED CONTROL PANEL INSTALLATION OVERVIEW

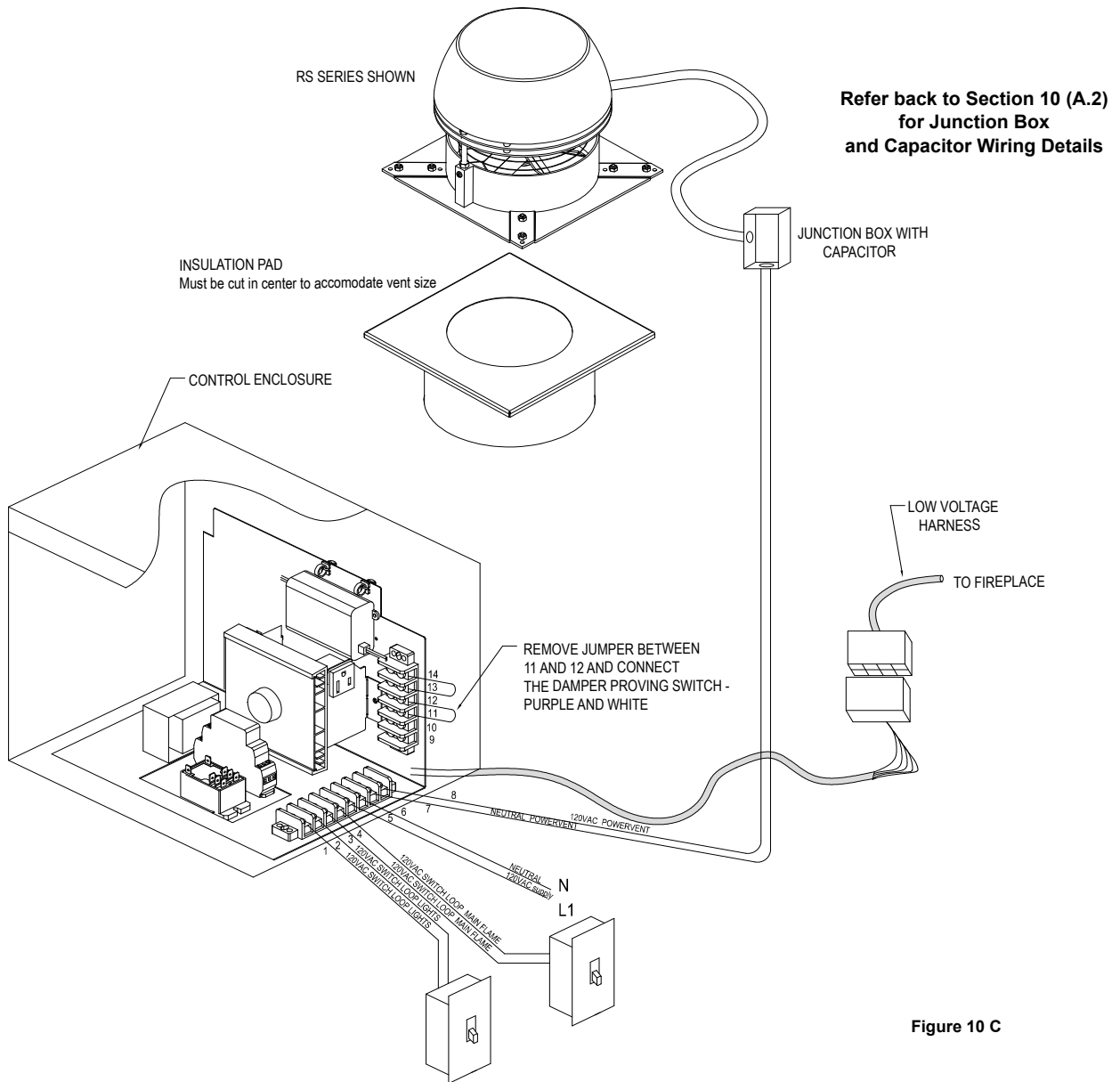
Figure 10 B



# 10 - TETHERED ELECTRIC

## C. ELECTRICAL WIRING SCHEMATIC - FIELD WIRING

**WIRE THE FIREPLACE TO A 15 AMP MIN DEDICATED CIRCUIT. SEE TERMINALS #5 & #6.**

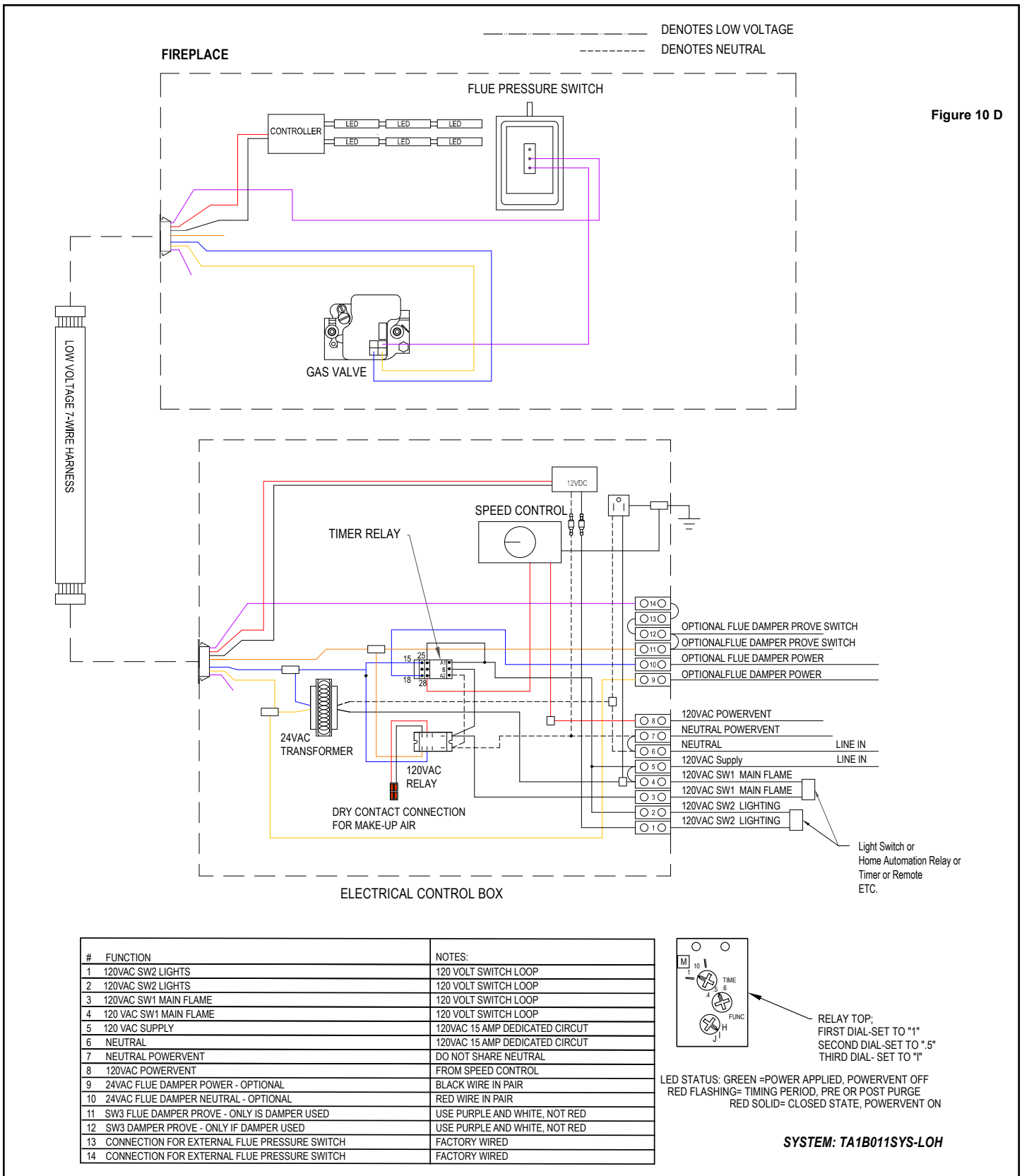


SYSTEM C - OPEN HEARTH LINEAR

#	FUNCTION	NOTES:
1	120 VAC SW2 LIGHTS - IF EQUIPPED	120 VOLT SWITCH LOOP
2	120VAC SW2 LIGHTS - IF EQUIPPED	120 VOLT SWITCH LOOP
3	120VAC SW1 MAIN FLAME	120 VOLT SWITCH LOOP
4	120 VAC SW1 MAIN FLAME	120 VOLT SWITCH LOOP
5	120 VAC SUPPLY	CONNECT TO CONSTANT POWER SOURCE
6	NEUTRAL	CONNECT TO CONSTANT POWER SOURCE
7	NEUTRAL POWERVENT	DO NOT SHARE NEUTRAL
8	120VAC POWERVENT	FROM SPEED CONTROL
9	24VAC FLUE DAMPER POWER - OPTIONAL	USE RED FROM RED/BLACK PAIR
10	24VAC FLUE DAMPER NEUTRAL - OPTIONAL	USE BLACK FROM RED/BLACK PAIR
11	SW3 FLUE DAMPER PROVE	USE PURPLE AND WHITE, NOT RED
12	SW3 DAMPER PROVE	USE PURPLE AND WHITE, NOT RED
13	CONNECTION FOR EXTERNAL FLUE PRESSURE SWITCH (4 SIDED ONLY)	FACTORY WIRED
14	CONNECTION FOR EXTERNAL FLUE PRESSURE SWITCH (4 SIDED ONLY)	FACTORY WIRED

# 10 - TETHERED ELECTRIC

## D. ELECTRICAL WIRING SCHEMATIC - TROUBLESHOOTING



**REFER BACK TO STANDARD ELECTRIC TERMINAL SCHEMATICS IN SECTION 9 (D.1-D.6).**

# 11 - FINISHING

## FINISHING THE WALL



NOTE: REFER TO DIMENSIONS SECTION FOR ALLOWABLE FINISHING DIMENSIONS. FINISHING MATERIALS MUST NOT OVERLAP THE DIMENSIONS HIGHLIGHTED IN GREEN ON PAGE 9. NEVER COVER THE FIREPLACE OPENING WITH FINISHING MATERIALS.



NOTE: ***DO NOT*** PIERCE ANY OF THE BLACK PAINTED SURFACES WITH SCREWS, RIVETS, ETC. THIS INCLUDES THE 3" [76mm] BLACK TOP AND BOTTOM BLACK TRIM AND ANY PAINTED SIDES ADJACENT TO THE FIREPLACE OPENING.



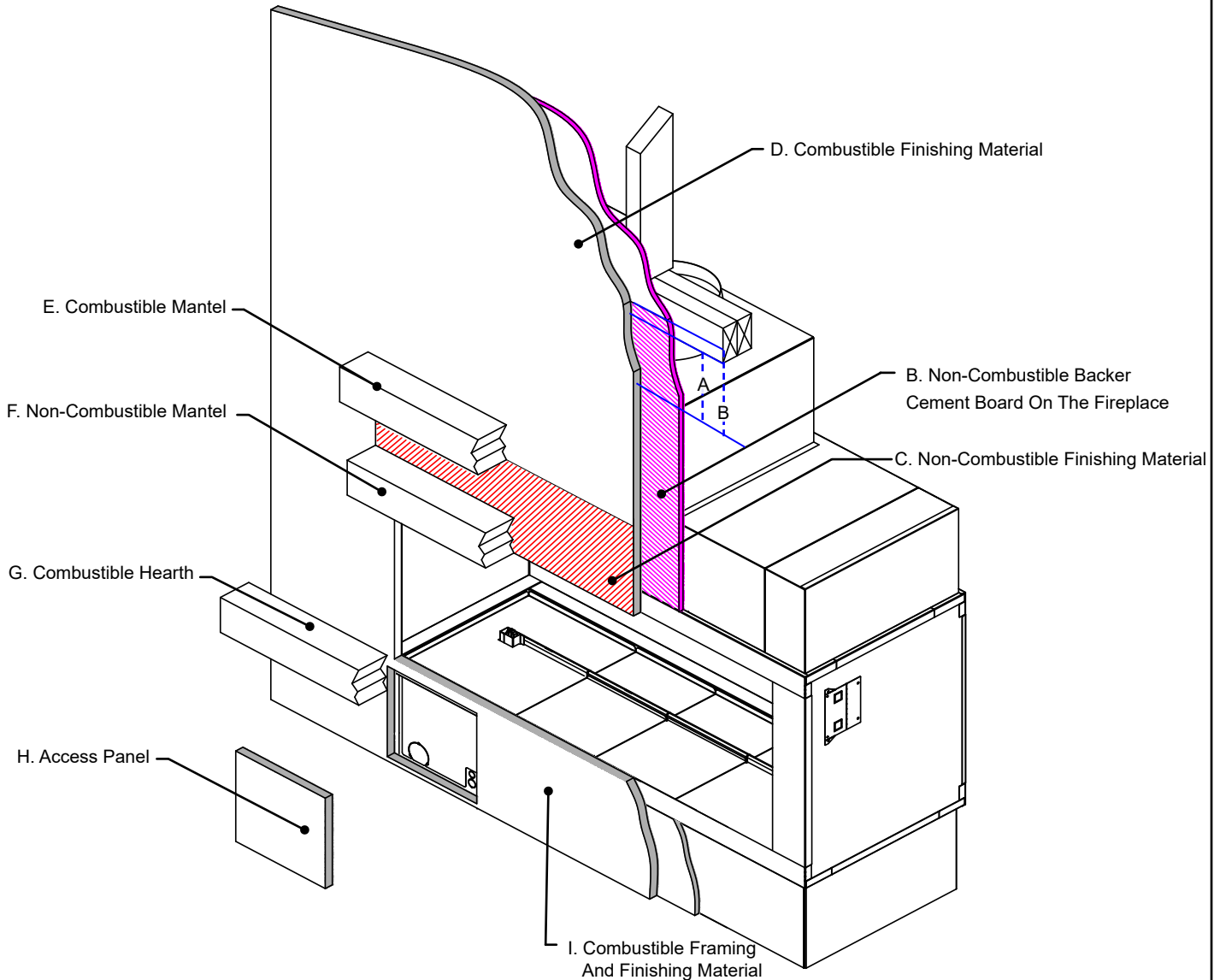
NOTE: REFER TO *MANTEL REQUIREMENTS: NON-COMBUSTIBLE ZONE* FOR MORE INFORMATION.

# 11 - FINISHING

## FINISHING THE WALL

Figure 11A.2

NOTE: FINISHING NOT TO SCALE



inches [mm]

A. No combustible framing materials may be within 6 [152] of the top of the fireplace.

B. Non-combustible back board must be used between the viewing area opening and 6 [152] above the fireplace across the full width of the fireplace. 7 [178] is recommended for ease of attachment.

C. 6 [152] of non-combustible finishing material is required to cover the non-combustible area mentioned in A & B.

D. Combustible finishing materials allowed.

E. Combustible mantel may be placed no closer than 6 [152] from the viewing area opening. There are no restrictions on mantel depth.

F. Non-combustible mantel may be placed at the top of the viewing area. There are no restrictions on mantel depth.

G. Combustible hearth may be placed below the bottom of the glass viewing area.

H. Flat covers will cover the components access. Gas and electric inlets are located behind this panel.

There are four access panel options all located on the pilot side of the fireplace; front (shown above), side, back and inside on the pilot side.

Please take consideration of which option will be used to access the components for service later during planning.

I. Combustible framing and finishing materials allowed on the face of the fireplace below the viewing area only.

## 12 - LIGHTING & SHUTDOWN

### FOR YOUR SAFETY - READ BEFORE LIGHTING



**STOP: IF YOU DO NOT FOLLOW THESE INSTRUCTIONS EXACTLY, A FIRE OR EXPLOSION MAY RESULT, CAUSING PROPERTY DAMAGE, PERSONAL INJURY OR LOSS OF LIFE.**

**DUE TO HIGH SURFACE TEMPERATURES, KEEP CHILDREN, CLOTHING AND FURNITURE AWAY.**

This appliance needs fresh air for safe operation and must be installed so there are provisions for adequate combustion and ventilation air. It is important to make sure the termination cap remains unobstructed at all times from snow, ice, leaves or other debris.

- This fireplace is equipped with an ignition device which automatically lights the pilot and main burner. The pilot and burner light automatically with the wall switch. **DO NOT** try to light the pilot by hand. Before lighting this fireplace, follow these instructions exactly.
- **BEFORE LIGHTING**, smell all around the appliance for gas. Be sure to smell next to the floor because some gas is heavier than air and will settle on the floor.
- Do not use this appliance if any part has been under water. Immediately call a qualified service technician to inspect the appliance and to replace any part of the control system which has been under water.

#### **WHAT TO DO IF YOU SMELL GAS:**

- Do not touch any electrical switches
- Do not try to light any appliance
- Do not use the phone in your building
- Immediately call your gas supplier from a neighbor's phone
- Follow the gas supplier's instructions
- If you cannot reach your gas supplier, call the fire department

**DO NOT STORE OR USE GASOLINE OR OTHER FLAMMABLE VAPORS AND LIQUIDS IN THE VICINITY OF THIS OR ANY OTHER APPLIANCE**



**NOTE: A PAINT SMELL WILL OCCUR DURING THE FIRST FEW HOURS OF BURNING.**



**NOTE: THIS FIREPLACE MAY PRODUCE NOISES OF VARYING DEGREE AS IT HEATS AND COOLS DUE TO METAL EXPANSION AND CONTRACTION. THIS IS NORMAL AND DOES NOT AFFECT THE PERFORMANCE OR LONGEVITY OF THE FIREPLACE.**

### A. LIGHTING THE FIREPLACE

To light the fireplace:

Activate the switch.

The fireplace has a pre and post timer, set at the factory for 30 seconds.

The powervent will start after the switch is activated.

The flame will not turn on for 30-60 seconds after switch is activated.

The powervent will run for 30 seconds after the fireplace has been shut off.

## 12 - LIGHTING & SHUTDOWN



**STOP!** Read safety information on previous page and front cover of this manual before continuing.



**NOTE:** This fireplace is equipped with an ignition device which automatically lights the pilot. **DO NOT** try to light the pilot by hand.

### B. IF THE FIREPLACE DOES NOT LIGHT

1. Turn off the fireplace at switch.
2. Turn off all electrical power to fireplace.
3. Wait five (5) minutes to allow any gas that may have accumulated inside firebox to escape. If you then smell gas, **STOP!** Follow safety information on front cover and on previous page of the installation manual. If you don't smell gas, go to next step.
4. Turn **ON** all electrical power to fireplace.
5. Turn fireplace on at switch.

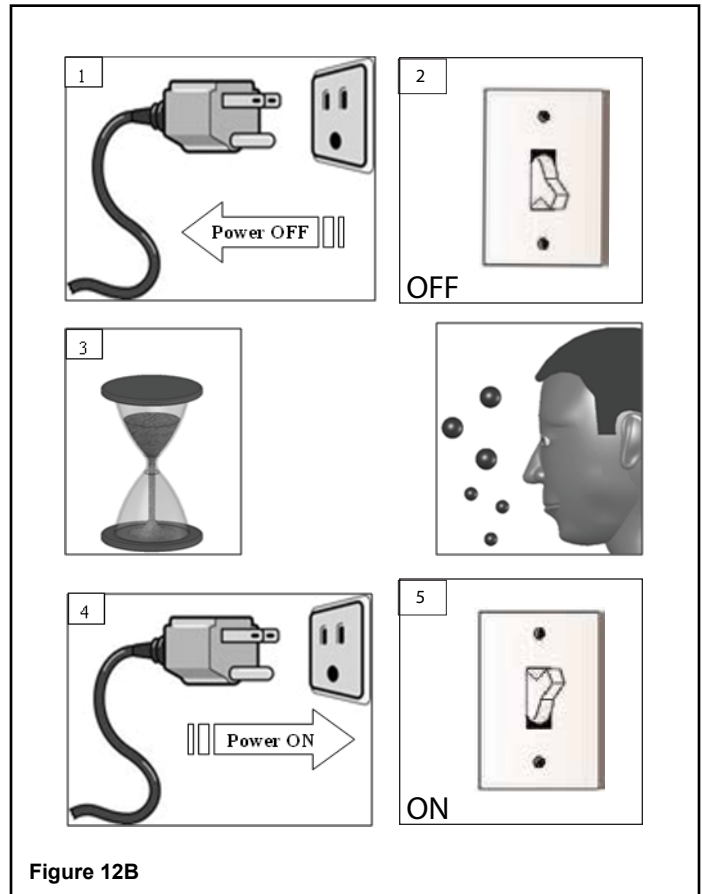


Figure 12B



**CAUTION:** If fireplace will not operate, follow instructions **TURNING OFF GAS TO FIREPLACE** and call your service technician or the gas supplier.



**NOTE:** When fireplace is initially lit, condensation may appear on the glass; this is normal in all gas fireplaces and will disappear after several minutes.

## 13 - PRESSURE TESTING



**NOTE:** The appliance and its individual shutoff valve must be disconnected from the gas supply piping system during any pressure testing of that system at pressures in excess of ½ psi.



**NOTE:** The appliance must be isolated from the gas supply piping system by closing its individual manual shut-off valve during any pressure testing of the gas line at test pressures equal to or less than ½ psi (3.5 kPa).

### INLET PRESSURE TEST

1. The valve has an Allen-plug on the inlet and outlet.
2. Install a 1/8" MIP hose barb fitting on the tap you want to measure.
3. Light the fireplace, check the pressure.
4. Turn off fireplace; reinstall plug.
5. Check for leaks.



**CAUTION:** A LOW PRESSURE READING CAN CAUSE DELAYED IGNITION



**NOTE:** If inlet pressure reading is too high or too low, contact the gas company. Only a qualified gas service technician should adjust incoming gas pressure.

## 14 - FINALIZING THE INSTALLATION

### A. INSTALLING THE MEDIA

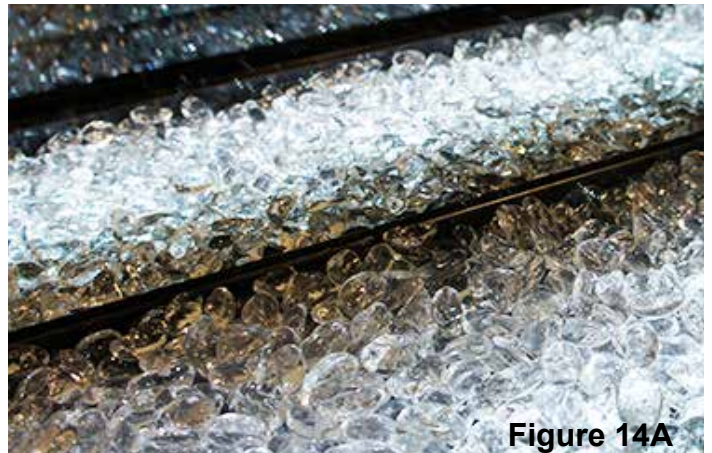
**Figure 14A**

Place the supplied glass media into the base tray.  
Cover the base evenly. Do not use more than the supplied amount.

Do not get any glass media into the pilot area; a hazardous condition could result!

You should be able to see the top line of the burner through the media.

**DO NOT COVER THE BURNERS;  
POOR FLAME APPEARANCE WILL RESULT.**



**Figure 14A**

**NOTE: DO NOT SUBSTITUTE THE SUPPLIED MEDIA WITH ANY OTHER KIND OF MEDIA WITHOUT WRITTEN APPROVAL OF Stellar by Heat&Glo.**

### B. FLAME APPEARANCE

Flame appearance is affected by several factors including altitude, venting configuration and fuel quality. Although the venturi setting has been factory set, adjustments may be necessary for optimal performance and visual aesthetics.

When fireplace is first lit, the flames will be blue. Flames will gradually turn yellowish-orange during first 15 minutes of operation. If flames remain blue, or become dark orange with evidence of sooting (black tips), the burner tube venturi may need adjustment. Contact Stellar Hearth.



## 15 - MAINTENANCE

The appliance is required to be inspected at least once a year by a professional service person. The compartment below firebox (behind lower access panel) must be cleaned at least once a year, more frequent cleaning may be required due to excessive lint from carpeting, bedding materials, or other fibrous materials. It is imperative that the burner be cleaned once a year.

### VALVE AND ELECTRICAL ACCESS

There is an access panel under the floor of the firebox should more extensive service be needed. Remove the glass media on the end with the pilot. The end floor lifts out; remove the screws and lift it out. If the LED's are mounted on a "U" shaped steel bracket, loosen the bracket and flip the LED's over the burner. There is a panel covering the valve area. Remove the screws and lift the panel up and out to expose the valve area.



**NOTE: INSTALLATION AND REPAIR SHOULD BE DONE ONLY BY QUALIFIED SERVICE PERSON. THE APPLIANCE SHOULD BE INSPECTED BEFORE USE AND ANNUALLY BY A QUALIFIED SERVICE PERSON. MORE FREQUENT CLEANING MAY BE REQUIRED DUE TO EXCESSIVE LINT FROM CARPETING, BEDDING MATERIALS, ETC. IT IS IMPERATIVE THAT CONTROL COMPARTMENTS, BURNERS AND CIRCULATION AIR PASSAGEWAYS OF THE APPLIANCE BE KEPT CLEAN.**

### A. VENT SYSTEM

- Annual examination of venting system by a qualified agency is required.
- IF VENT-AIR INTAKE SYSTEM IS DISASSEMBLED FOR ANY REASON, RE-INSTALL PER INSTRUCTIONS PROVIDED WITH INITIAL INSTALLATION.
- The flow of combustion air must not be obstructed.



**CAUTION: LABEL ALL WIRES PRIOR TO DISCONNECTION WHEN SERVICING CONTROLS. WIRING ERRORS CAN CAUSE IMPROPER AND DANGEROUS OPERATION. VERIFY PROPER OPERATION AFTER SERVICING. KEEP APPLIANCE AREA CLEAR OF COMBUSTIBLE MATERIALS, SUCH AS GASOLINE AND OTHER FLAMMABLE VAPORS AND LIQUIDS.**

# 16- REPLACEMENT PARTS

## A. REPLACEMENT PARTS LIST

### IMPORTANT: REPLACEMENT PARTS

Parts must be ordered from a dealer or distributor.

Hearth & Home Technologies does not sell directly to consumers.

Provide model number and serial number when requesting service parts from your dealer or distributor.

Model #	Valve	Orifice NG	Orifice Propane	B-Vent Flue	Exhaust Collar	Chimney Collar	RS Powervent	Replacement Capacitor	Lbs of Media
4-SS-18-LOH	SV9501	3X (#43)	3X (#55)	8	16400-1450	117-001	RS12	601.0400.0064	50
5-SS-18-LOH	SV9501	4X (#43)	4X (#55)	10	16400-1550	117-002	RS12	601.0400.0064	60
6-SS-18-LOH	SV9501	5X (#43)	5X (#55)	10	16400-1550	117-002	RS12	601.0400.0064	70
7-SS-18-LOH	SV9501	6X (#43)	6X (#55)	10	16400-1550	117-002	RS12	601.0400.0064	80
8-SS-18-LOH	SV9601	7X (#43)	7X (#55)	12	16800-1550	221.0300.3012	RS12	601.0400.0064	90
9-SS-18-LOH	SV9601	8X (#43)	8X (#55)	12	16800-1550	221.0300.3012	RS14	604.0400.0064	100
10-SS-18-LOH	SV9601	9X (#43)	9X (#55)	12	16800-1550	221.0300.3012	RS14	604.0400.0064	110
4-SS-24-LOH	SV9501	3X (#43)	3X (#55)	10	16400-1550	117-002	RS12	601.0400.0064	50
5-SS-24-LOH	SV9501	4X (#43)	4X (#55)	10	16400-1550	117-002	RS12	601.0400.0064	60
6-SS-24-LOH	SV9501	5X (#43)	5X (#55)	12	16800-1550	221.0300.3012	RS14	604.0400.0064	70
7-SS-24-LOH	SV9501	6X (#43)	6X (#55)	12	16800-1550	221.0300.3012	RS14	604.0400.0064	80
8-SS-24-LOH	SV9601	7X (#43)	7X (#55)	12	16800-1550	221.0300.3012	RS14	604.0400.0064	90
9-SS-24-LOH	SV9601	8X (#43)	8X (#55)	14	014-1050	221.0300.4014	RS16	601.0800.0064	100
10-SS-24-LOH	SV9601	9X (#43)	9X (#55)	14	014-1050	221.0300.4014	RS16	601.0800.0064	110

PART	PART NUMBER
Pilot Assembly	112-5000
Pilot Tube	16400-2851
Replacement Ignitor	B13M-1D643C
Vacuum Switch	112-5003
Transformer, 24 VAC	112-5002
Timer Relay	112-5014
Solid State Relay	112-5009
Speed Control, 10 AMP	16400-4000
LED Controller	16400-1901
LED Remote Control	16400-1901R
LED Transformer, 12VDC	16400-1900
Switch, 15 Amp Toggle	16400-3013
2-Gang Electrical Box	16400-3014
White Nylon 2-Gang Plate	16400-3015

PART	PART NUMBER
Natural Gas to Propane Gas Conversion Kit - All Sizes	NG2LP
Propane Gas to Natural Gas Conversion Kit - All Sizes	LP2NG



## Troubleshooting

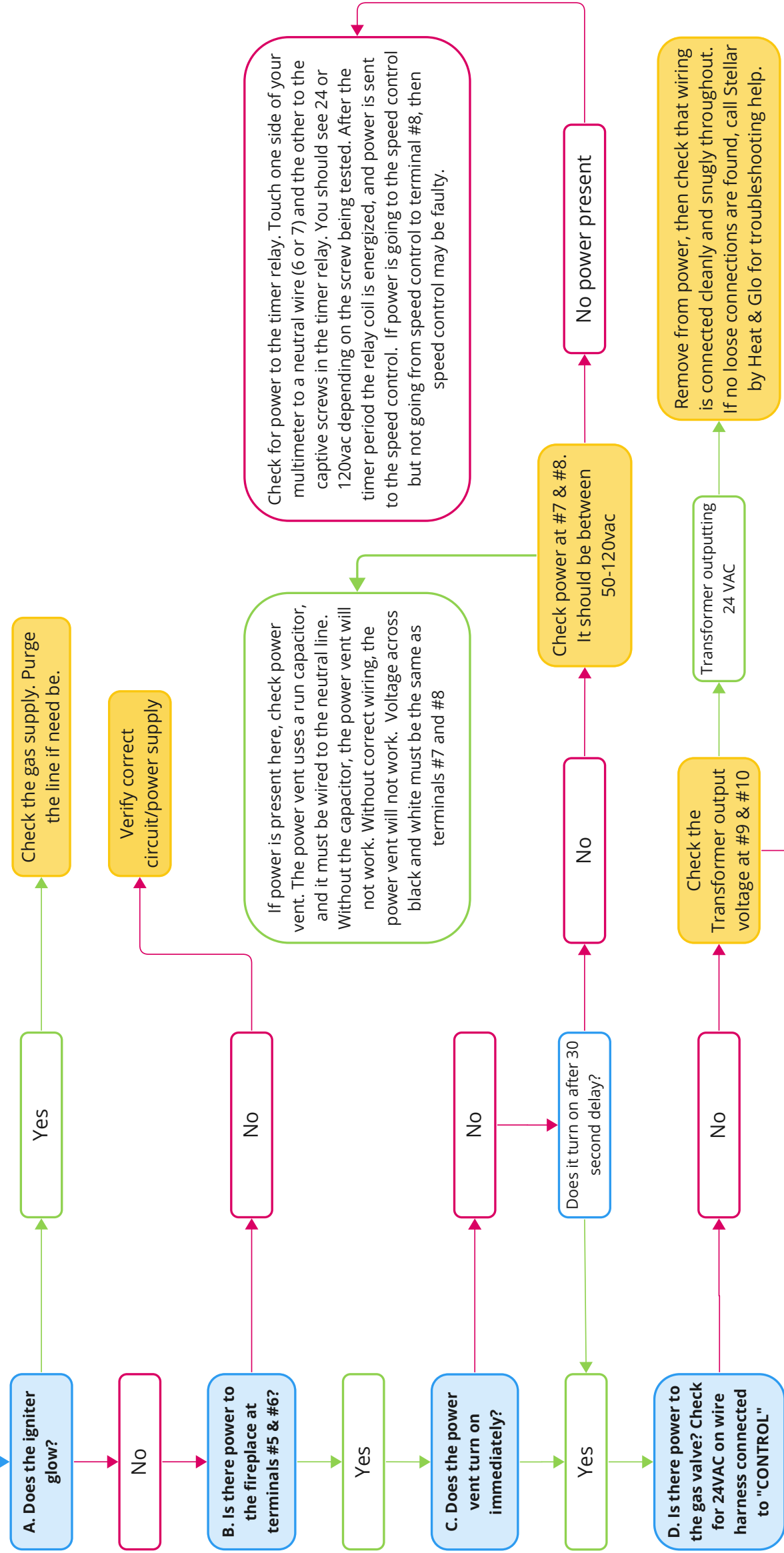
### Turn on Stellar fireplace

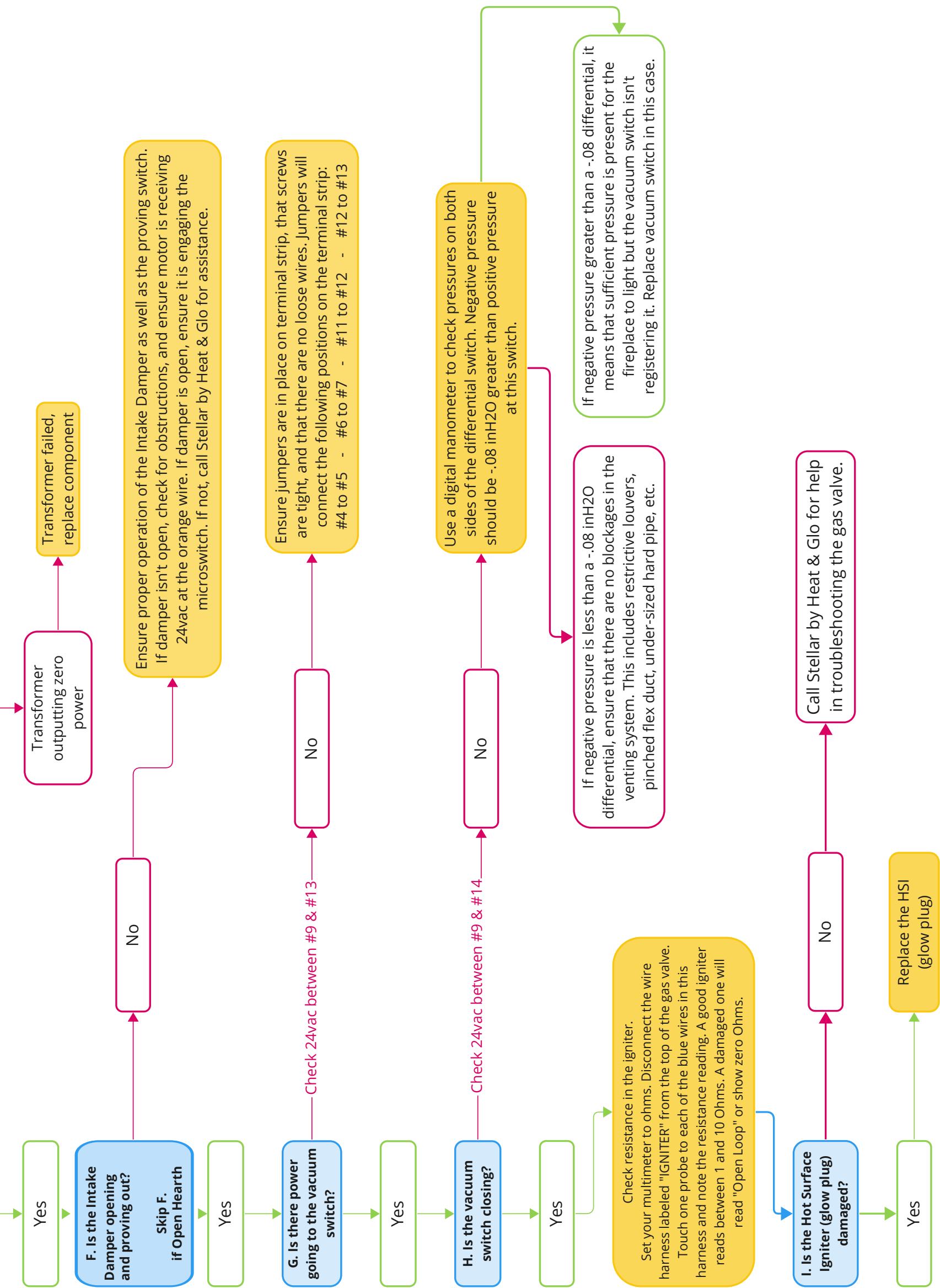
For new installations, double and triple check that the wiring is correct. Fireplace must be wired exactly as noted in the manual.

Fireplace will attempt to light two times. Then it will lock out for 5 minutes. Power must be cycled to release from lock mode before 5 minutes

When power is applied to the fireplace, the green light on the timer relay will be lit. It does not matter if the switch is 'ON' or 'OFF'. When main flame switch is flipped 'ON', red light on timer will blink for 30 seconds, then go solid red.

Do not wire a switch into the main power supply (5&6) for turning the flames on and off. Switch must be looped between 3 & 4.





## **3 in 1 LED Controller ( 2.4G ) Instruction Manual**

### **Contents**

---

<u>Product features</u> .....	2
<u>Set up output mode</u> .....	3
<u>Compatible with remote</u> .....	3
<u>2.4G RF remote control instruction</u> .....	4-7
<u>Link / Unlink Instructions</u> .....	4
<u>Auto transmitting &amp; Synchronization</u> .....	5
<u>Dynamic mode table selection</u> .....	5
<u>PWM frequency switching</u> .....	6
<u>“Do Not Disturb” mode is activated and shut down</u> .....	7
<u>DMX512 LED transmitter control instruction</u> .....	8
<u>Attention</u> .....	9

## Product features

Made by new 2.4GHz wireless transmitting technology with low power consumption, strong ability to build network automatically and anti-interference. with MiBoxer 2.4GHz gateway to get wireless dimming color, remote control, timing control, group control, music rhythm function. Support 2.4G RF remote control.



16 Millions of colors to choose



Color temperature adjustable



Dim brightness / Saturation



2.4G RF wireless transmission technology



Remote control distance 30m



Auto-transmitting & Synchronization



Support Smartphone app control (2.4GHz gateway is needed)



Support third party voice control (2.4GHz gateway is needed)



DMX512 controllable  
(Only for RGB+CCT output mode DMX512 LED transmitter is needed)

## Set up output mode

Set up correct output mode based on the feature of lights

Setting method: Press "SET" button continuously to switch output mode (attention: it will log out without operation within 3 seconds)

Output mode sheet ( confirm output mode based on color of indicator)

Indicator color	Red Light	Green Light	Blue Light
Output	RGB	RGBW	RGB+CCT

## Compatible with these 2.4G RF remote controls (Purchased separately)



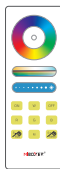
FUT100



FUT089S



FUT089  
FUT089-B



FUT088



FUT092  
FUT092-B



FUT096  
FUT096-B



B8



B0 / B0-B



B4 / B4-B / T4



B3 / B3-B / T3



S2-B / S2-W  
S2-G

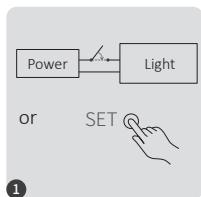


FUTD01



## 2.4G RF Remote control instruction

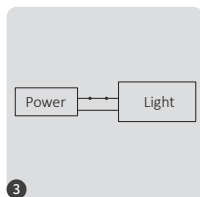
### 1). Linking Code Instructions



Power off 10 seconds and power on again or short press "SET" one time.



Short press " | " button 3 times within 3 seconds.

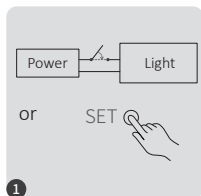


Lights blink 3 times slowly means linking is done successfully.



Linking failed if light is not blinking slowly, Please follow above steps again.  
(Note: Light that have linked can't link again)

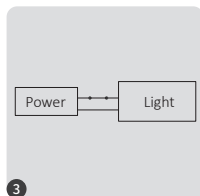
### 2). Unlinking Code Instructions



Power off 10 seconds and power on again or short press "SET" one time.



Short press " | " button 5 times within 3 seconds.



Lights blink 10 times quickly means unlinking is done successfully.



Unlinking failed if light is not blinking quickly, Please follow above steps again.  
(Note: Light haven't linked that don't need to unlink)

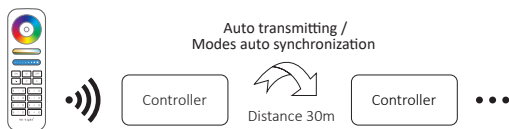
### 3). Auto transmitting & Synchronization (only for remote control)

#### Remote signal auto transmitting

One light can transmit the signals from the remote control to another light within 30m, as long as there is a light within 30m, the remote control distance can be limitless.

#### Dynamic modes auto synchronization

Multi lights can synchronize if they are in same dynamic mode and linked with same remote (distance between each light is within 30m)



### 4). Dynamic mode table selection (only for remote control)

#### Select dynamic mode table 1:

While the light is in static mode, short press “S+” button 5 times quickly until blue light flashes 3 times slowly, static mode is activated successfully.

#### Select dynamic mode table 2:

While the light is in static mode, short press “S-” button 5 times quickly until yellow light flashes 3 times slowly, static mode is activated successfully.

### Dynamic mode table 1 (default)

Number	Dynamic Mode	Brightness / Saturation / Speed
1	Mardi Gras	Adjustable
2	Automatic color change	
3	Sam	
4	Gemstone	
5	Twilight	
6	American	
7	Fat Tuesday	
8	Party	
9	Slow Color Splash	

## Dynamic mode table 2 (need to switch manually)

Number	Dynamic Mode	Brightness / Saturation / Speed
1	Seven colors gradual change	Adjustable
2	White light Gradual change	
3	RGB gradual change	
4	Seven colors jump to change	
5	Jump to change randomly	
6	Red light gradual change +Flash 3 times	
7	Green light gradual change +Flash 3 times	
8	Blue light gradual change +Flash 3 times	
9	White light gradual change +Flash 3 times	

### 5). PWM high frequency / low frequency switching (only for remote control)

#### Switch to high frequency (16KHz):

Press "OFF" button 1 time within three seconds and press "ON" button 5 times, Activated successfully once led light flashes 2 times quickly.

#### Switch to low frequency (250Hz):

Press "ON" button 1 time within three seconds and press "OFF" button 5 times, Activated successfully once led light flashes 2 times slowly.

## 6). “Do Not Disturb” mode is activated and shut down (default activated)

Turn on “Do Not Disturb” mode (wide using in the area which have power failure frequently to save energy)

### 2.4G RF Remote turn on and turn off instruction

#### Turn on “Do Not Disturb” mode:

Press “OFF” button three times within three seconds and press “ON” button three times, Activated successfully once led light flashes four times quickly.

#### **Attention:** Do not disturb mode is activated

1. When the light is OFF status (For example: Use app or remote to turn off light)

The light is OFF status once you turn off power and turn on again.

**(User must turn off and turn on power twice times to activate light or use APP / remote to activate light)**

2. When the light is ON status

The light is ON status once you turn off and turn on power one time.

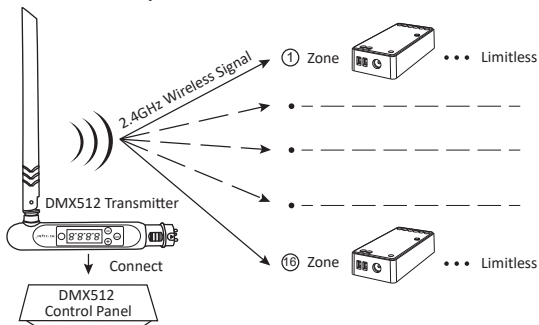
#### Turn off “Do Not Disturb” mode:

Press “ON” button three times within three seconds and press “OFF” button three times, closed successfully once led light flashes four times slowly.

**Attention:** The light will be always “ON” status if you turn on and turn off power once user closed “Do Not Disturb” mode.

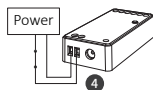
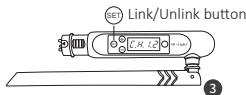
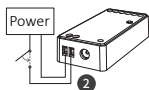
## DMX512 LED Transmitter Control (Purchased separately)

Only for RGB+CCT output mode



### DMX512 LED Transmitter Link/Unlink

- 1 Follow instruction of DMX512 transmitter (FUTD01), Choose the zone for the light by pressing "+" or "-" (e.g. "CH12" means zone 12)



#### Link

The controller is powered off for 10 seconds and then powered on, or press "SET" button 1 time.

Short press "SET" 3 times within 3 seconds while the indicator of controller is ON

Link is done once indicator of controller flashes 3 times slowly

#### Unlink

The controller is powered off for 10 seconds and then powered on, or press "SET" button 1 time.

Short press "SET" 5 times within 3 seconds while the indicator of controller is ON

Unlink is done once indicator of controller flashes 10 times quickly



If the link or unlink failed, please follow the above steps again.

## Attention

1. Please turn off power supply before installation.
2. Please ensure input voltage to be same as requirements from device.
3. Don't disassemble device if you are not expert, otherwise it will damage it.
4. Please do not use the light in the place with widely range metal area or strong electromagnetic wave nearby, otherwise, the remote distance will be seriously affected.



Scan QR code to watch 2.4GHz series video instruction Or enter into following link directly

[https://miboxer.com/light/video/1pc\\_remote.html](https://miboxer.com/light/video/1pc_remote.html)



Made in China

**Hearth & Home Technologies LLC**  
**LIMITED WARRANTY**

Hearth & Home Technologies LLC (“HHT”) extends the following warranty for HHT gas, wood, pellet and electric hearth appliances (each a “Product” and collectively, the “Product(s)”) and certain component parts set forth in the table below (“Component Part(s)”) that are purchased from a HHT authorized dealer or distributor.

**WARRANTY COVERAGE:**

HHT warrants that the Products and their Component Parts will be free from defects in materials and workmanship for the applicable period of Warranty coverage set forth in the table below (“Warranty Period”). If a Product or Component Parts are found to be defective in materials or workmanship during the applicable Warranty Period, HHT will, at our discretion, repair the applicable Component Part(s), replace the applicable Component Part(s), or refund the purchase price of the applicable Product(s). The maximum amount recoverable under this Warranty is limited to the purchase price of the Product. This Warranty is transferable from the original purchaser to subsequent owners, but the Warranty Period will not be extended in duration or expanded in coverage for any such transfer. This Warranty is subject to conditions, exclusions, and limitations as described below.

**WARRANTY PERIOD:**

Warranty coverage begins at the date of installation. In the case of new home constructions, Warranty coverage begins six months after invoice of the final sale of the Product(s) by an independent, authorized HHT dealer or distributor. However, the Warranty coverage shall commence no later than 24 months following the date of Product shipment from HHT, regardless of the installation or purchase date.

Warranty Period		HHT Manufactured Appliances and Venting					
Component Parts	Labor	Gas	Pellet	Wood	Electric	Component Parts Covered by this Warranty	
1 Year		X	X	X		All parts including handles, external enameled components and other material except as covered by Warranty Conditions, Warranty Exclusions, and Warranty Limitations listed	
2 Years					X	All parts except as covered by Warranty Conditions, Warranty Exclusions, and Warranty Limitations listed	
			X	X		Glass, Electrical components limited to heating element/igniters, Top feed auger assembly, Blowers, Junction Box, Remotes/Wall switches, linear actuator, power cord, vacuum switch, snap disc, wire harnesses and thermocouple	
		X				Electrical components limited to modules, remotes/wall switches, valves, pilots, blowers, junction boxes, wire harnesses, transformers and lights (excluding light bulbs)	
		X		X		Cement Refractory Panels, Glass Liner Panels	
3 years			X			Firepots, burnpots, Harman mechanical feeders	
5 years		X		X		Catalysts, Vented and Vent Free burners and logs	
10 years	1 year	X				Burners, logs and metal/fiber refractory components of HHT manufactured fireplaces or stoves, venting due to poor workmanship	
10 years	3 years		X	X		Castings, Medallions & Baffles, FlexBurn® System (engine, inner cover, access cover and fireback), Firebox and heat exchanger, HHT Chimney & Terminations, Manifolds	
20 years	3 years	X				Firebox and heat exchanger	
<b>All purchased replacement parts and optional accessories</b>							
1 Year	None	X	X	X	X	All purchased replacement parts and optional accessories	

## **WARRANTY CONDITIONS:**

- Because HHT cannot control the quality of any Products sold by unauthorized sellers, this Warranty only covers Products that are purchased through an HHT authorized dealer or distributor unless otherwise prohibited by law; a list of HHT authorized dealers is available on the HHT branded websites.
- This Warranty is only valid while the applicable Product remains at the site of original installation.
- This Warranty is only valid in the country in which the HHT authorized dealer or distributor that sold the applicable Product is authorized to sell applicable Product.
- Contact your installing distributor or dealer for Warranty service. If the installing dealer or distributor is unable to provide necessary parts, contact the nearest HHT authorized dealer or supplier. Additional service fees may apply if you are seeking Warranty service from a dealer other than the dealer from whom you originally purchased the applicable Product.
- No HHT consumer should bear cost of warranty service or costs incurred while servicing warranty claims (i.e., travel, gas, or mileage) when the service is performed within the terms of this Warranty. Check with your dealer or distributor in advance for any costs to you when arranging a warranty call. Travel and shipping charges for parts are not covered by this Warranty.

## **WARRANTY EXCLUSIONS:**

This Warranty does not cover the following:

- Changes in surface finishes as a result of normal use. As a heating appliance, some changes in color of interior and exterior surface finishes may occur. This is not a flaw and is not covered under the Warranty.
- Damage to printed, plated, or enameled surfaces caused by fingerprints, accidents, misuse, scratches, melted items or other external sources and residues left on the plated surfaces from the use of abrasive cleaners or polishes.
- Repair or replacement of parts that are subject to normal wear and tear during the Warranty Period are not covered. These parts include: paint, wood and pellet gaskets, firebricks, wood grates, flame guides, batteries and the discoloration of glass.
- Minor expansion, contraction, or movement of certain parts causing noise. These conditions are normal and complaints related to this noise are not covered by this Warranty.
- Damages resulting from: (1) failure to install, operate, or maintain the applicable Product in accordance with the installation instructions, operating instructions, and listing agent identification label furnished with the applicable Product; (2) failure to install the applicable Product in accordance with local building codes; (3) shipping or improper handling; (4) improper operation, abuse, misuse, continued operation with damaged, corroded or failed components, accident, or improperly/incorrectly performed repairs; (5) environmental conditions, inadequate ventilation, negative pressure, or drafting caused by tightly sealed constructions, insufficient make-up air supply, or handling devices such as exhaust fans or forced air furnaces or other such causes; (6) use of fuels other than those specified in the operation instructions; (7) installation or use of components not supplied with the applicable Product or any other components not expressly authorized and approved by HHT; (8) modification of the appliance not expressly authorized and approved by HHT in writing; and/or (9) interruptions or fluctuations of electrical power supply to the applicable Product.
- Non-HHT venting components, hearth connections or other accessories used in conjunction with the applicable Product.
- Any part of a pre-existing fireplace system in which an insert or a decorative gas applicable Product is installed.
- HHT's obligation under this Warranty does not extend to the Product's capability to heat the desired space. Information is provided to assist the consumer and the dealer in selecting the proper Product for the application. Consideration must be given to the Product location and configuration, environmental conditions, insulation and air tightness of the structure.

**This warranty is void if:**

- The applicable Product has been over-fired, operated in atmospheres contaminated by chlorine, fluorine, or other damaging chemicals. Over-firing can be identified by, but not limited to, warped plates or tubes, deformation/warping of interior cast iron structure or components, rust colored cast iron, bubbling, cracking and discoloration of steel or enamel finishes.
- The applicable Product is subjected to prolonged periods of dampness or condensation.
- There is any damage to the applicable Product due to water or weather damage which is the result of, but not limited to, improper chimney or venting installation.

## **LIMITATIONS OF REMEDIES AND LIABILITY:**

- **EXCEPT TO THE EXTENT PROVIDED BY LAW, HHT MAKES NO EXPRESS WARRANTIES OTHER THAN THE WARRANTY SPECIFIED HEREIN. The owner's exclusive remedy and HHT's sole obligation under this Warranty or in contract, tort or otherwise, shall be limited to, at HHT's sole option, replacement of the Component Part(s), repair of the Component Part(s), or refund of the original purchase price of the applicable Product(s). In no event will HHT be liable for any incidental or consequential damages caused by defects in the applicable Product. Some States do not allow the exclusion or limitation of incidental or consequential damages, so the above limitation or exclusion may not apply to you. This Warranty gives you specific legal rights and you may also have other rights which vary from State to State. THE DURATION OF ANY IMPLIED WARRANTY IS LIMITED TO DURATION OF THE EXPRESSED WARRANTY SPECIFIED ABOVE FOR THE APPLICABLE PRODUCT. Some States do not allow limitations on how long an implied warranty lasts, so the above limitation may not apply to you.**