

# Wall Cabinet for Gas Fireplace

---

## Assembly/Installation Guide

These instructions cover a range of cabinet styles that are identical in assembly and installation procedures. Your particular cabinet style may not be represented in the drawings, but all assembly procedures are the same.

These instructions apply only to the cabinetry and facing material that will surround the firebox. **PLEASE SEE THE FIREPLACE MANUFACTURER'S INSTALLATION INSTRUCTIONS TO ENSURE THAT ALL CLEARANCE AND INSTALLATION REQUIREMENTS ARE BEING MET.** The walls and floor in the area of the installation should be clean, plumb, and level. Any major deviations from these conditions should be remedied before installing either the firebox or the cabinet. **Any carpeting or other resilient material should be removed from the area prior to installation.**

The installation of the fireplace itself occurs midway through the cabinet installation. For fireplace installation instructions, refer to the fireplace manufacturer's instructions and recommendations that came with your unit. Be sure to investigate local building and fire codes before installing the fireplace. When you install the fireplace, be sure to follow manufacturer's instructions carefully in regard to locating, plumbing and wiring your new fireplace. You may be required to have this portion of the job performed by a licensed professional.

**WARNING!! Improper installation, adjustment, alteration, service or maintenance of the fireplace can cause injury or property damage. For assistance or additional information, consult a qualified installer, service agency, or the gas supplier.**

Please read and understand these general notes before beginning:

1. These instructions are as complete as possible, but cannot cover every local condition you may encounter during your installation. If, after reviewing these instructions, you have questions, call the number below or get the advice of a professional installer.
2. If you bought a primed or unfinished product, it is NOT ready for finishing. Some sanding and filling will be required before applying final finish. Inspect the surface of cabinet and sand or fill as necessary. If this unit is to be painted, the preferred material is semi-gloss oil base paint.
3. Regarding stone facing installation, these instructions apply only to Fireside Furnishings marble or granite facings. If you are using other facing materials, the positioning and attachment of marble backing assemblies as described herein may not apply.
4. Overview of main steps in assembly/installation:
  - A. Assemble and install Tec Base. This can be before or after drywall is hung. (Remove spacers on Tec Base if drywall is already in place.)
  - B. Install fireplace on top of Tec Base, proper placement is important. See instructions.
  - C. Plumb and wire according to manufacturer's instructions.
  - D. Assemble cabinet. Install cabinet and facing. Drywall must be in place before installing cabinet.
5. For comments, questions about this cabinet, please call: 1-888-880-0192, ext. 244 or 243. For **ALL** replacement parts, including cabinet, or questions about the fireplace, call the fireplace manufacturer.



# Wall Cabinet for Gas Fireplace

## Assembly/Installation Guide

### Parts List and Diagram

#### Tools and supplies needed

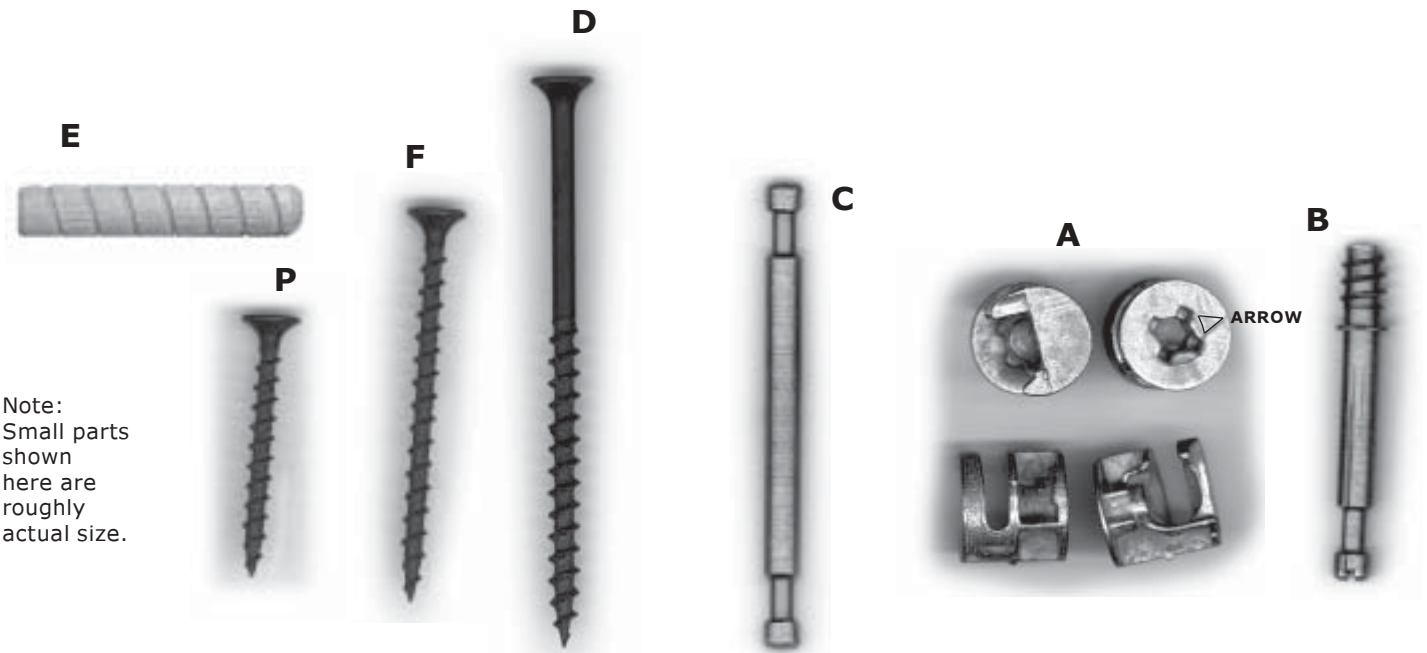
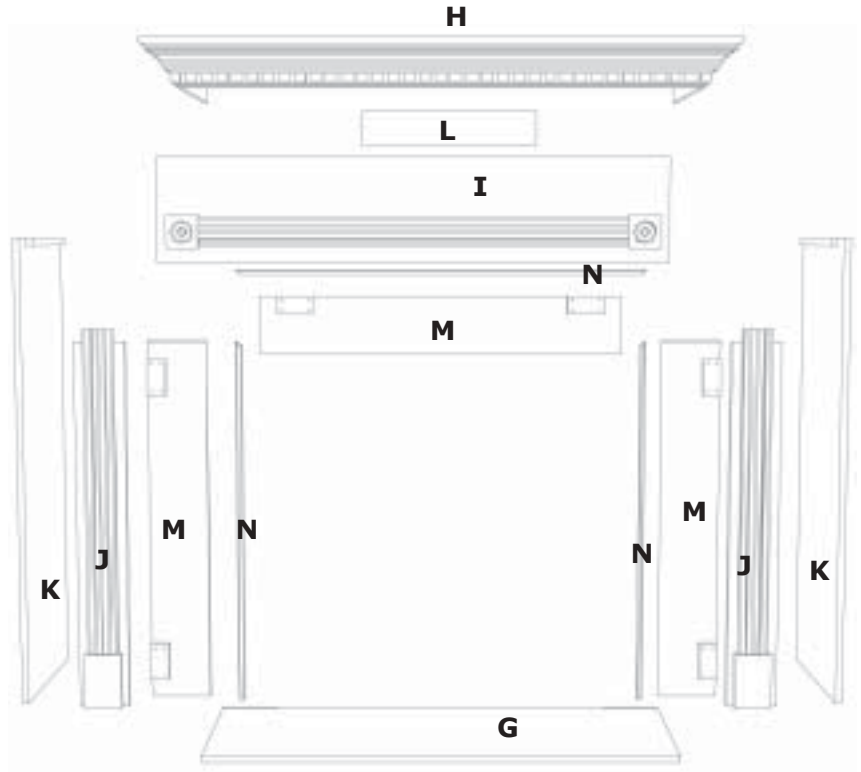
- #2 Philips screwdriver
- or Battery driven screw gun or electric drill (optional)
- Medium straight bit screwdriver
- High temp construction adhesive & applicator

#### Hardware included

- A** 12 Cams, 15mm x 15mm
- B** 8 Cam pins w/wood thread, 5mm x 34mm
- C** 2 Cam pins, double headed, 8mm x 34mm
- D** 2 Utility screws, 3", for ledger strip
- E** 4 Wood dowels, 8mm x 35mm
- F** 12 Utility screws, 2", for backing assemblies
- P** 4 Utility screws, 1 1/4", for top  
(6 screws if cabinet is a Sherwood)
- G** Tec Base

#### Main Cabinet

- H** 1 top assembly
- I** 1 breastboard assembly
- J** 2 leg assemblies
- K** 2 returns
- L** 1 ledger strip
- M** 3 marble cleats
- N** 3 scribe moldings



Note:  
Small parts  
shown  
here are  
roughly  
actual size.

# Wall Cabinet for Gas Fireplace

## Assembly/Installation Guide

### Assembly steps



**1.** **IMPORTANT:** If this installation is in a location with finished (DRYWALLED) walls, remove the two spacers on the rear edges of the Tec Base. Alternatively, if the drywall is not yet hung, leave the spacers on. Tec Base can be installed at this point so that fireplace can be set, wired, and plumbed. See step 7 for firebox positioning instructions.



**2.** Locate leg (J) and breastboard (I) assemblies and lay face down on a non-abrasive surface. Position as shown. Hardware has been factory installed. Make sure that embossed arrow on empty cam points toward steel pin in mating piece. (See pg. 2, bottom right, for location of arrow.)

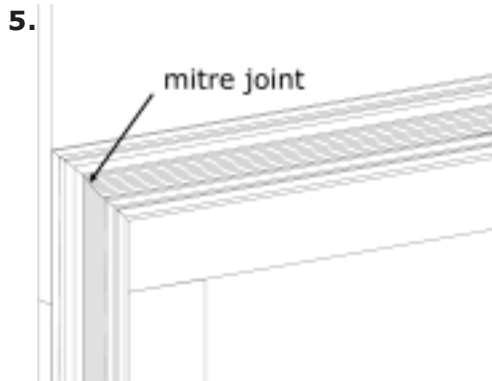


**3.** Bring pieces together, making sure dowels and cam pin find their respective holes. Make sure all edges are flush, then turn cam ('A' in part list) clockwise with Phillips screwdriver until tight, and leg is snug to breastboard. Do not over-tighten.



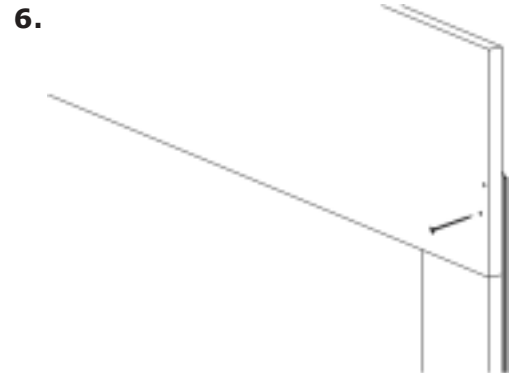
**4.** Screw single headed cam pins (B) into holes at outer edges of rear surface of leg/breastboard assembly.

Cams (A) were factory installed in holes in back side of returns (K). Make sure that arrows point to rear edge of board.

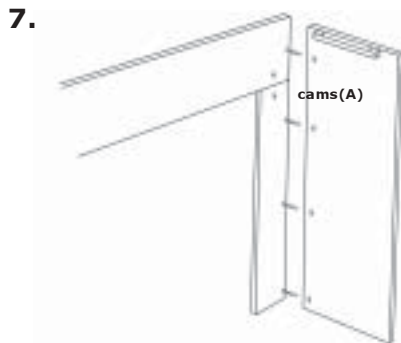


**5.** **If your cabinet is not the Sherwood style, bypass steps 5 and 6. (Go to step 7)**

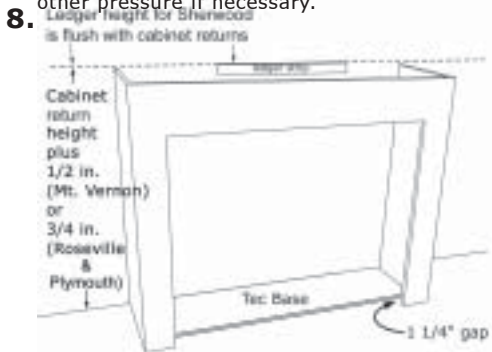
**(For Sherwood only)**  
Turn cabinet face over and inspect mitre joint. Make sure it is tight, using clamps or other pressure if necessary.



**6.** **(For Sherwood only)**  
Now insert a 1 1/4" screw ( F ) through hole in back of breastboard, screwing into upper corner of molding when you are satisfied with its position.



**7.** Attach the returns (K) to leg/breastboard assembly. Align and insert the cam pins into holes in the edge of return. Before inserting, make sure that the arrows on cams are pointing toward the edge of board. As you tighten each cam, check that outside of return is aligned to outer edge of leg.



**8.** There will be a 1 1/4" gap between the front edge of the Tec Base and the inside of the cabinet. Install ledger (L) as shown above, at the proper height for your particular cabinet, nailed or screwed (screws D) into studs. Set cabinet aside in order to install fireplace next.

**9. FIREPLACE MUST BE INSTALLED BEFORE PROCEEDING.** When you install the fireplace, be sure to follow manufacturer's instructions carefully in regard to locating, plumbing and wiring your new fireplace. You may be required to have this portion of the job performed by a licensed professional.

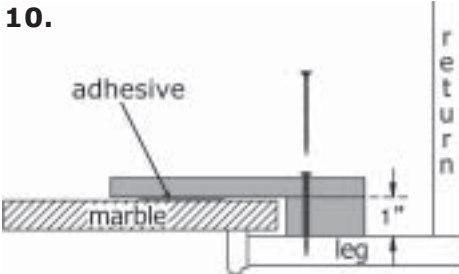
**WARNING!!** Improper installation, adjustment, alteration, service or maintenance of the fireplace can cause injury or property damage. For assistance or additional information, consult a qualified installer, service agency, or the gas supplier.

**IMPORTANT!!** If you are using a marble facing, install the fireplace centered on the Tec Base and with its front edge 1/4" forward of the front edge of Tec Base.

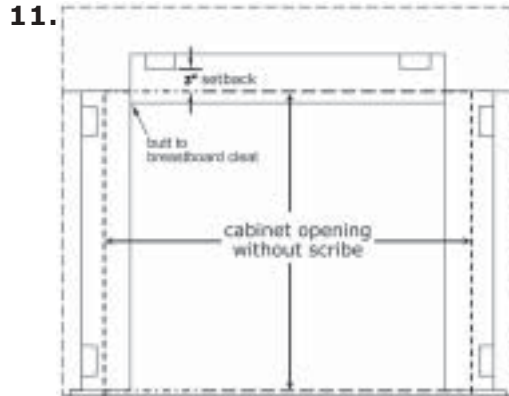
# Wall Cabinet for Gas Fireplace

## Assembly/Installation Guide

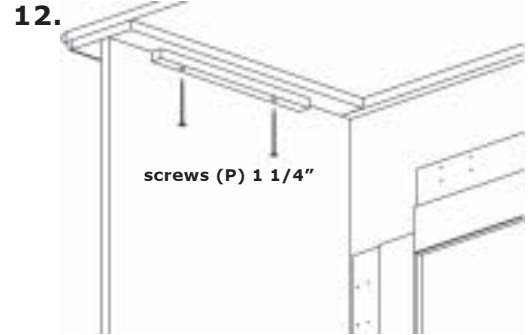
### Assembly steps



10. Locate the marble cleats (M), and attach to the inside of the legs and breastboard as shown in the sectional view above and in next two panels. (Marble cleat is shaded.)



11. Attach breastboard marble cleat first--as shown above, centered and with 3" setback. Then attach leg cleats as shown, parallel with legs, leaving 3/4" clearance from floor at bottom so that hearth can slide underneath cleat.



12. If you want top permanently attached, see above. (If you choose this option, you'll probably need help getting cabinet in final position over fireplace. When in final position, attach top to ledger strip with finish nails and/or adhesive.) If you prefer that the top be removable for any reason, go to next step without screwing top to returns.



13. Set the cabinet back in its final position. Apply construction adhesive to bottom of hearth as shown and install it on the floor between cabinet legs, pushed back against fireplace. Do not force under fireplace as this may crack marble.

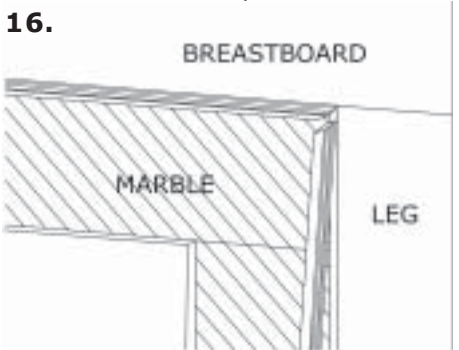
Typical adhesive application, bottom of hearth



14. If you are working alone, prepare two temporary wooden supports 1/2" longer than the marble legs. Apply four areas of High Temp. adhesive (each about the size of a large grape) to the marble cleat on breastboard and insert marble header in the 1" gap between cabinet and cleat. Work it gently into the adhesive.



15. Temporarily support the marble header with the sticks you made, as shown above. Now apply High Temp. adhesive in three places on each of the vertical cleats and insert marble legs as you did the header. Work legs into the adhesive, then remove temporary header supports and carefully lower the header onto the legs, making sure that legs are plumb and that there is adequate clearance to the opening of fireplace.



16. Attach scribe, making sure it is pushed back against marble. Nail with small finish nails, breastboard first. You may have to trim the bottoms of vertical pieces slightly. Protect the marble with a piece of heavy cardboard as you nail.



17. Attach top (H) if you did not do so in step 10. Drill and nail it to the ledger strip. Optionally, you can place 5 or 6 small amounts of adhesive (large pea size) at intervals around top edge of cabinet and settle top gently into it. Top will then be removable later.  
**INSTALLATION IS COMPLETE.**