



Fireplace Mantels, Insert Kits and Hearths Product Information and Installation Instructions

Model Chart with Dimensions

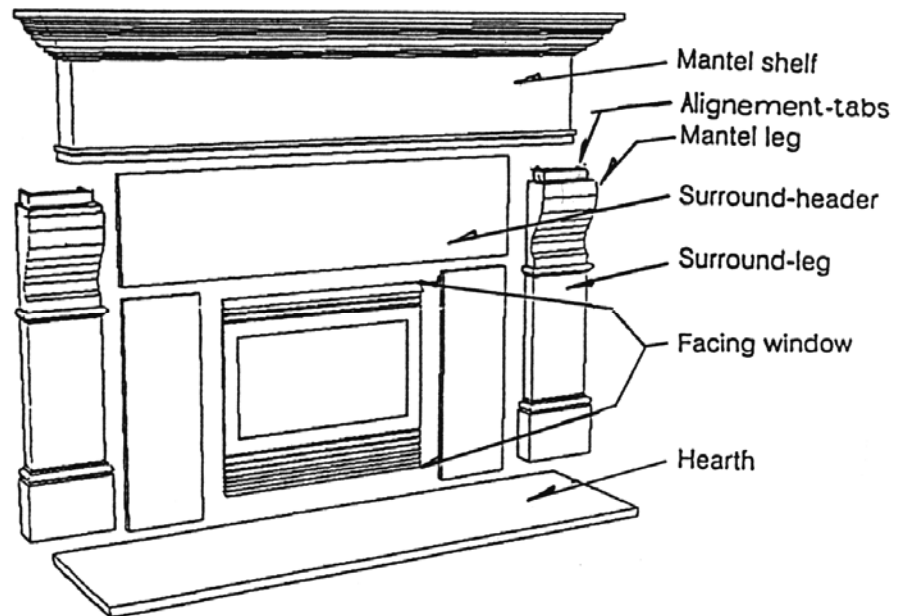
		Overall Dimensions			Inside Dimensions		
Model	Part Number	Width	Height	Depth	Width	Height	# of Pcs
Avalon	AFPSTC5242	78"	57"	9.5"	52"	40.5"	3
Biltmore	AFBETC5244	78"	57"	9.5"	52"	40.5"	3
Hearst	AFHTTC5244	78"	57"	9.5"	52"	40.5"	3
Paros	AFPSTC5242	73.5"	57"	7.56"	52"	42.5"	3
Insert Kit Header	MBTCMS16PK1	53"	14.5"	3/4"	N/A	N/A	1
Insert Kit Legs	MBTCMS16PK1	9"	37"	3/4"	N/A	N/A	2
Hearth 1	MBTC70X20	70"	7/8"	20"	N/A	N/A	1
Hearth 2	MBTC74X20	74"	1.24"	20"	N/A	N/A	1

These instructions cover a range of mantel styles that assemble and install in the same way. The style of the mantels featured in the assembly panels may not match the style of the mantel you purchased. All critical steps in the assembly are identical.

Please read the installation instructions before installing your Fireside Furnishings Sandstone Mantel. Refer to the fireplace instructions and local building codes for installation of the gas fireplace.

Tools and materials required

- Carpenter's level
- Power drill - with a 1/8" drill bit
- Carborundum blade for cement cutting (NEVER wet cut)
- Screwdriver and #8 screws
- Tape measure and pencil
- High temperature silicone adhesive
- Caulking (similar in colour as the mantel) - optional
- 1 - 2" x 2" x 36" long wood runner
- Hot glue for insert kit



Important Material, Safety and Installation Information

1. Sandstone mantels, insert kits, hearths and overmantels should be handled carefully. Work with clean hands or while wearing gloves.
2. All mantels are made with non-combustible, high quality and durable cement.
3. All units have been designed and tested to suit the most Hearth & Home Technologies fireplaces gas fireplaces.
4. Install the units **ONLY** where the fireplace face is flush with surrounding wall.
5. When a hearth is used, raise the fireplace accordingly, so that air intake grilles, access to valves / controls (if any) are **NOT** restricted.
6. If the units get wet (while stored or after installation) the water marks may be impossible to erase.
7. **NEVER** "wet-cut" any components.
8. When not using the Sandstone insert kit or Hearth, other non-combustible panels such as stone, etc. can be used.
9. The installation should be carried out by 2 people.
10. Mock up the complete installation by laying the components out on the floor to ensure everything fits the fireplace.

Adhesion Notes

1. Use **ONLY** high temperature clear silicone adhesive and make sure that the adhesive is not smeared or "squeezed out" on visible surfaces (see "cleaning" below).
2. For the insert kit installation (see below) additional "hot glue" may speed up the installation.

Cleaning and Maintenance

1. To clean surface dirt, use a damp cloth or sponge moistened with water only or a diluted liquid soap solution.
2. To remove excess dirt, pencil or rub marks, use a 300 grit sandpaper. Gently sand the affected area with 2 or 3 rubs.
3. To remove excess silicon adhesive, follow the silicon instructions.

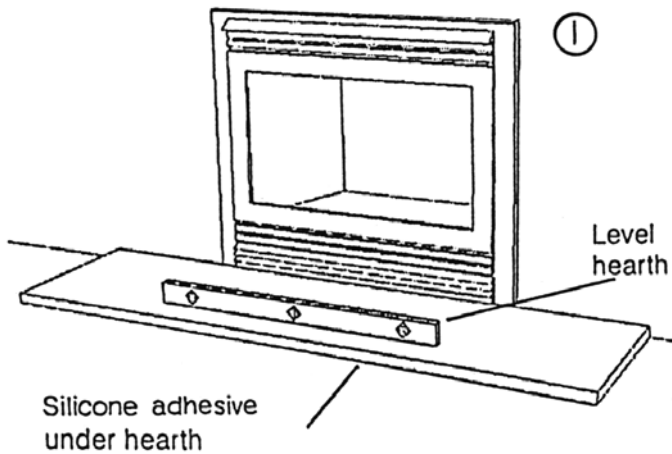
Warning : The installation of Fireside Furnishings mantels in applications other than those recommended may result in the tarnishing of the mantel, insert or hearth and in such situations, the warranty of these products is void.

Installation Instructions

A. Hearth Installation:

The Fireside Furnishings Hearth (or any other non-combustible type) should be installed prior to any other parts.

- Remove the baseboard, carpeting or other resilient flooring, and ensure the floor area is clean and level
- Position the hearth on the floor and against the wall, centering it with respect to the fireplace unit
- To secure the hearth in place, apply the silicone adhesive beads (3/8" wide x 1/4" thick) on the back reinforcement ribs then place on the floor making sure that it is level in all directions.
- **DO NOT** apply any other components on top of the hearth until it is solidly in place so its position does not change.



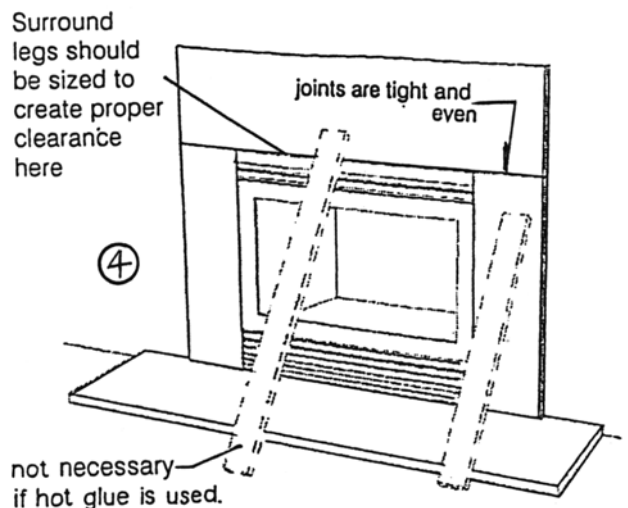
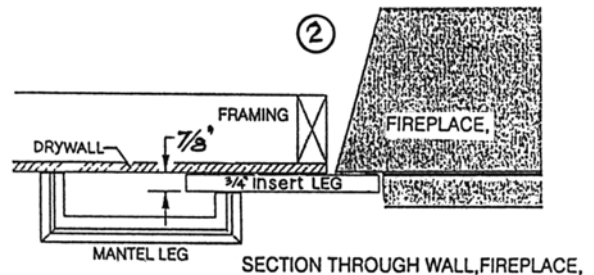
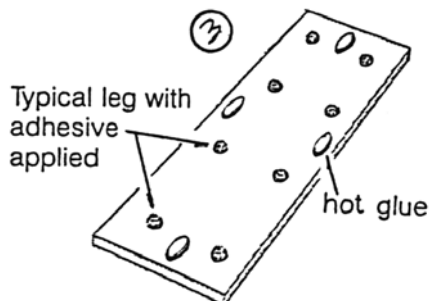
B. Insert Surround Kit Installation:

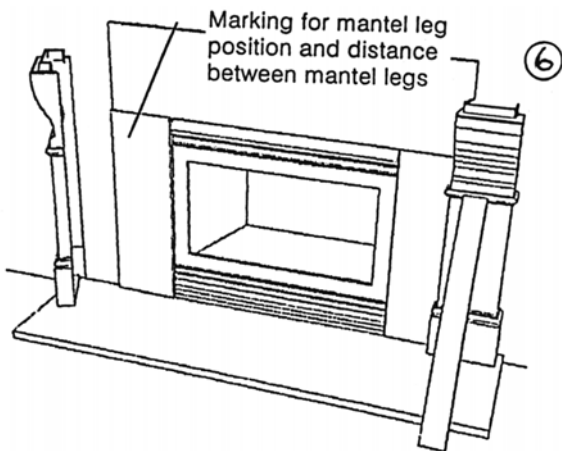
If the optional Fireside Furnishings three piece insert kit is to be installed, it should be done prior to the installation of the mantel.

- The insert kit header and leg lengths can be cut with a multi-teeth carbide Carborundum blade (for cement) to suit fireplace dimensions. **NEVER WET CUT**. Make sure to clear the top louvers or any other fireplace facing components.
- Ensure that the 3/4" thick kit legs fit within the 7/8" inside mantel leg/wall space (see sketch #2).
- To secure the kit legs in place, apply the silicone adhesive in grape size balls first, then apply additionally, a few spots of "hot glue" (just before installation) for immediate "tack" (see sketch #3). Bracing the legs is only required if the "hot glue" does not hold immediately.

Warning : NEVER use "hot glue" only and make sure that all components fit perfectly first since they cannot be shimmed or moved once the "hot glue" grabs.

- Dry-fit the kit header on top of the legs for proper fit and repeat the above adhesive and installation method.





C. Mantel Installation Preparation :

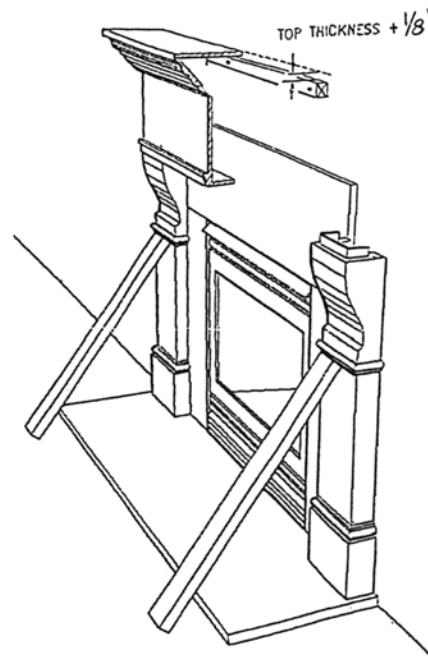
- Dry-fit the legs and shelf to the wall to ensure all components are plumb and level. The alignment tabs on the top of the legs should help.
- On the wall, pencil mark the outside of the legs and the top of the shelf.
- After removing the shelf and legs, the 3'-0" long 2" x 2" location should now be marked. Measure the shelf back edge thickness add 1/8" and draw a line (thickness + 1/8") under the top fo the shelf pencil marks (see sketch #6).
- Screw attach the 2" x 2" ensuring that the screws are seated in the studs behind the drywall. (Note : when installing - - - - - the 2" x 2" is not required).

Mantel Leg Installation :

- Apply beads of silicone adhesive to the back edges of the mantel legs and press into place.
- Take care not to squeeze out any adhesive onto visible surfaces.
- Brace until the adhesive sets or for 24 hours.

Mantel Shelf Installation :

- Dry-fit the shelf once more to ensure that the legs are still in the correct location.
- First apply silicone adhesive on top of the 2" x 2" and the leg alignment tabs.
- Then apply silicone adhesive on the back edges and install the same way as the legs.



D. Finishing Touches

For appearance reasons, you may wish to fill any gaps around the mantel with caulking.

