

Lanai Optional Screen

Installation Instructions

Models: **ODLANAIG-48SCN,**

ODLANAIG-60SCN

For use with ODLANAIG-48, ODLANAIG-60,
ODLANAIGST-48 Outdoor Gas Appliance.

Before You Start

This optional screen allows a layer of protection for your outdoor gas appliance from leaves, branches and other large debris during operation or while unit is not in use. Read instructions completely before installing optional screen. This screen can be installed easily at the time of unit installation or at any time. This screen also works with the optional trim kit (ODLANAIG-48CFT AND ODLANAIG-60CFT.)

KIT CONTENTS:

Screen.....One (1)

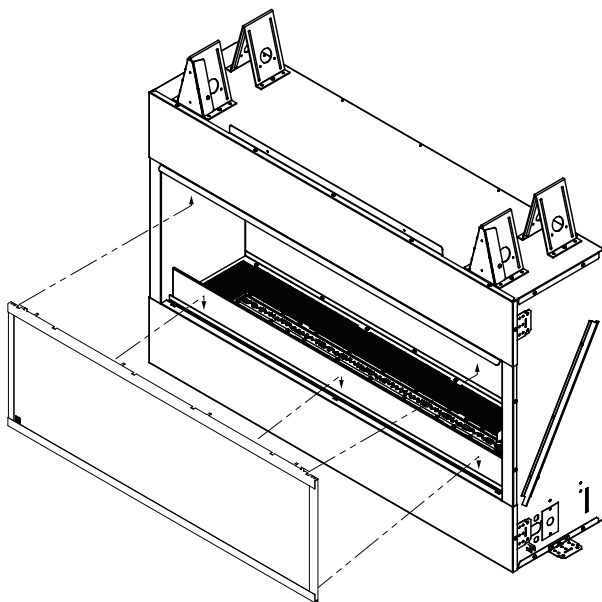


Figure 1. Installing the Screen

⚠ CAUTION!

Allow gas appliance to cool completely before attempting to install or remove screen.

Installation Instructions

1. Inspect screen for any damage.
2. Locate the tabs on the top and bottom of the screen. The top two (2) tabs are smooth. The bottom three (3) tabs each have shoulders. Shown in Figure 2.
3. Locate the five (5) slots inside the unit (2 on top and 3 on bottom.)
4. Insert the top tabs of the screen into the top slots of the inner firebox lifting up until the screen collides with inner firebox ceiling. Shown in Figure 1.
5. Align the three (3) tabs on the bottom of the screen with the three (3) slots located on the lower front firebox opening and lower into place. The shoulders on the lower tabs will hold the proper spacing evenly around the entire opening. Installation is complete.
6. To remove, lift from the bottom of the screen directly up and pull out to clear firebox bottom. Carefully lower until top tabs are no longer engaged and remove.

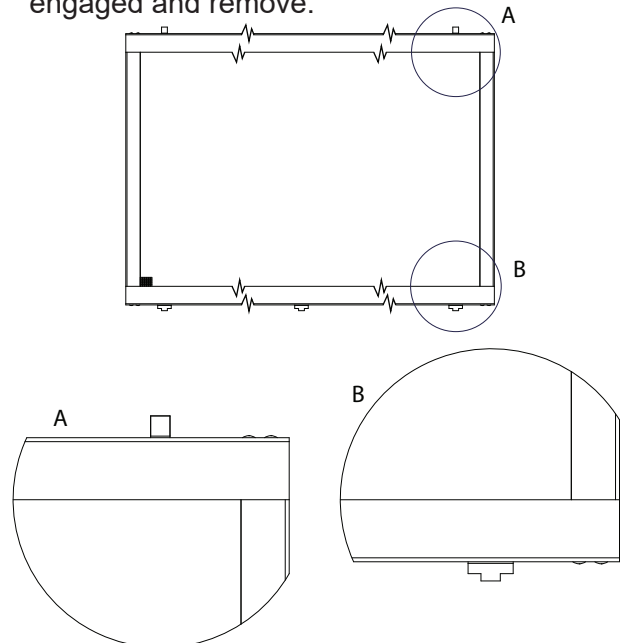


Figure 2. Screen Tabs