

## Black Magic Glass Liner Kit

**Models:** S28BGL, I28BGL, I32BGL, I36BGL, A32BGL, A36BGL, A42BGL, L32BGL, L36BGL, L42BGL

This kit has been tested for use with specific Hearth & Home Technologies products. Check with your local building code agency before you begin installation to ensure compliance with local codes, including the need for permits and follow-up inspections. If you encounter any problems regarding code approvals, or if you need clarification of any of the instructions contained here, contact your Hearth & Home Technologies dealer. For the dealer nearest you, please visit [www.hearthnhome.com](http://www.hearthnhome.com).

Read these instructions thoroughly before beginning installation.

**CAUTION:** Allow firebox to cool completely if it has been in operation.

**NOTE:** Some models require removal of a screen panel, log assembly or engine assembly before installation of the glass liner kit.

### KIT CONTENTS:

- (1) Rear Glass Panel
- (1) Left Glass Panel
- (1) Right Glass Panel
- (6) Glass Retainers
- (6) #8 x 1/2" Screws

### TOOL REQUIRED:

Phillips head screwdriver

### INSTRUCTIONS:

1. Remove log set and media, if installed.
2. Remove existing firebrick, if installed, by removing brackets at the top and bottom of each side panel. Tilt brick into box and lift out. Repeat on other side.
3. To remove rear firebrick, tilt top edge towards the center of the firebox and lift out.
4. Use a shop vac or small brush to clean debris left from refractory panels to ensure a flat surface for the Black Magic Glass panels to sit upon.
5. Position Rear Glass Panel against firebox rear wall, then position Right Glass Panel against firebox side and slide towards the rear of the firebox until side panel contacts the rear panel. Secure side panel at the top with (1) of the supplied retainers. See Figure 1. Repeat for Left Glass Panel Installation.

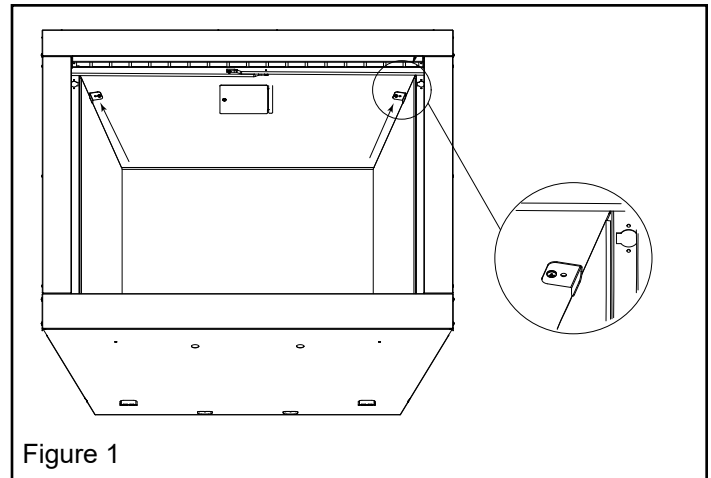


Figure 1

6. Remove (2) screws from the rear of the firebox bottom and install (4) bottom glass Retainers as shown in Figure 2.
7. Reinstall the log set or media.

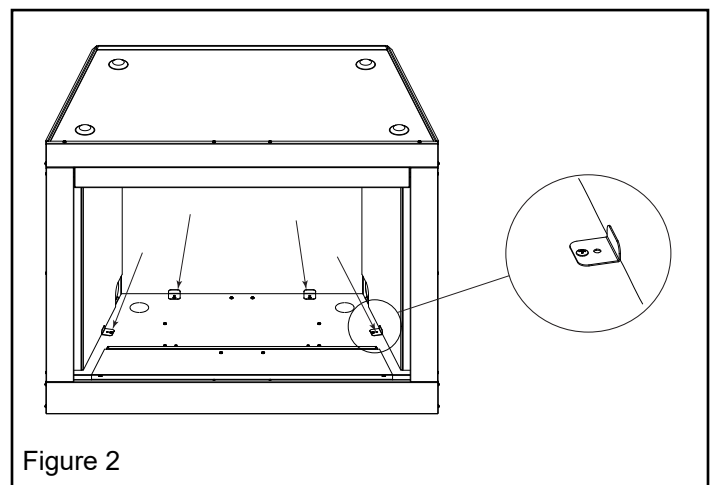


Figure 2