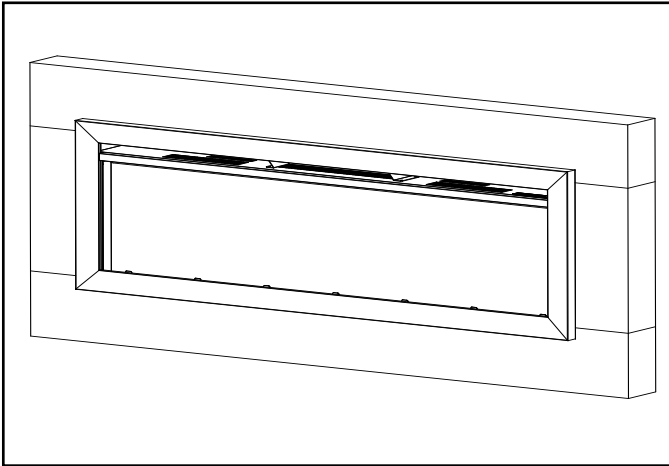


Crestline Wall Mount Surround Kit
WMK-WH-ALLS50, WMK-WH-ALLS60,
Models: SF-ALLS50, SF-ALLS60
- Installation Instructions -



Kit Components

- Surround Top (1)
- Surround Bottom (1)
- Surround Sides (2)
- Plug (2)
- 8 x 30 Wooden Dowels (12)
- Linking Brackets (12)
- 2-Piece Attachment Brackets (6)
- M6 x 12 Screws (24)
- ST4 x 8 Screws (24)
- M5 x 12 Screws (6)
- Flat Washers (6)
- Extra Hardware Pack



Leave this manual with party responsible for use and operation.

NOTICE! DO NOT discard this manual. Important service and maintenance instructions included.

CAUTION! Risk of Cuts or Abrasions. Wear protective gloves and safety glasses during installation. Sheet metal edges are sharp.

The Surround is painted in white or wood-look veneer finish. For instructions on refinishing a surround with white finish, see page 2. It is recommended that refinishing be completed prior to installation of surround. Do not attempt to refinish wood veneer.

Tools and Supplies Needed

Before beginning the installation be sure that the following tools and building supplies are available.

- Tape measure
- Hammer
- Gloves
- Level
- Magnetic Phillips screwdriver
- Safety glasses
- Flat blade screwdriver
- 1/2 in. drill bit for 3/16 diameter toggle bolts (applicable if installing on masonry walls)
- Masonry drill bit 5/16 in. (applicable if installing on masonry walls)

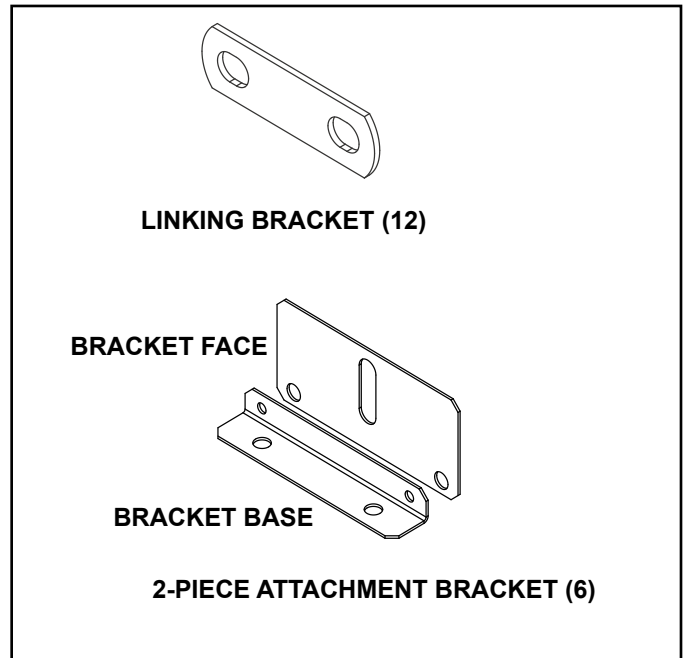


Figure 1 Brackets

NOTICE: The total weight of objects placed on the surround shelf must not exceed 50 pounds.

Refer to the appliance installation instructions to prepare the appliance for the appropriate electrical wiring configuration. If using a receptacle outside of surround area, remove the plug from the bottom of the surround for use.

Surround Refinishing

Surround is finished in white. If refinishing is desired, the following steps are recommended prior to assembling the surround.

Note: DO NOT attempt to refinish surrounds with wood veneer finish. Only Surrounds with white finish may be refinished.

Caution! Risk of Injury!

- *Follow all recommended guidelines for the materials being used.*
- *Always wear appropriate gloves, eye protection and clothing. Wear a respirator or mask when painting.*
- *The room or area you are spraying must be well ventilated and must be properly masked in order to preventing over-spray from covering woodwork, floors or furnishings.*
- *Do not spray paint near the appliance.*
- *Do not spray paint while the appliance is operating.*

Refinishing Process

1. Properly cover any areas of work space that you do not want to be painted.
2. Lightly scuff the existing finish with 320 grit sandpaper.
3. Remove dust using lint free cloth.
4. For best results, apply a base coat of spray paint primer to evenly cover the surround.
5. Wait the recommended amount of time per the paint and primer instructions, then apply a spray paint top coat in the color of choice to evenly cover the surround.
6. Apply additional top coats until desired coverage is achieved.

Electrical Placement

Refer to the appliance Installation Manual to prepare the appliance for the appropriate electrical wiring configuration according to local electrical codes. Follow instructions in the Electrical Supply section of the appliance Installation Manual to connect the power cord.

The surround is able to conceal a wall receptacle. Refer to Figure 2 to assist in locating a concealed receptacle behind the surround.

If using a receptacle outside of surround area, remove the plug from the bottom of the surround for use.

Note:

- A wall receptacle can be concealed by the surround if located in the shaded areas shown in Figure 2. It is important to note that section clearances (dimension D in Figure 2) vary between fireplace sizes. SF-ALLS50 will have a middle area of 22-3/4 in. (578 mm) while the SF-ALLS60 has a separation in the middle which leaves each side with approximately 19-1/4 in. (489 mm.).

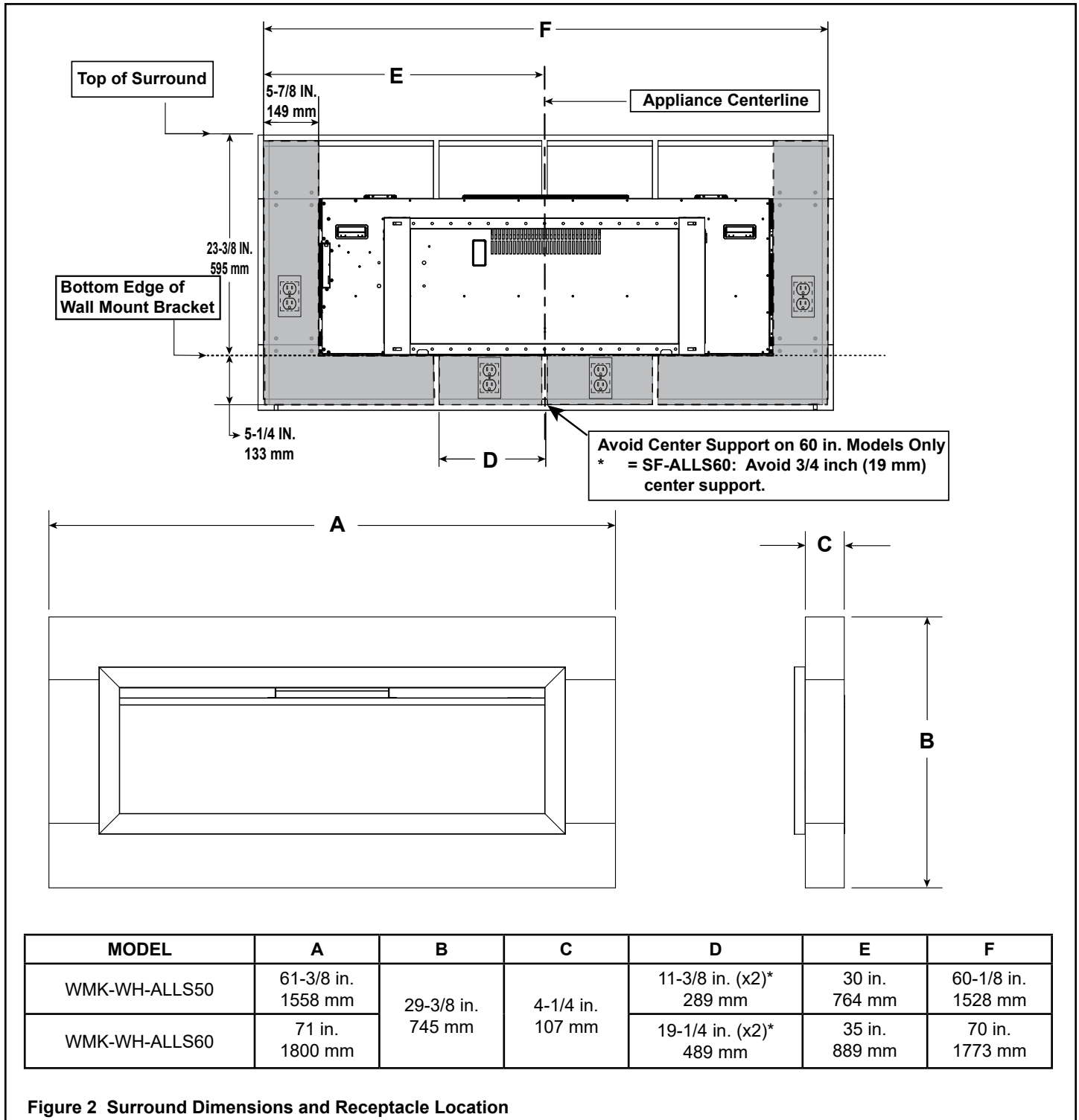


Figure 2 Surround Dimensions and Receptacle Location

Direct Wall Mounting with Wall Mounting Bracket

The wall mounting bracket is shipped attached to the back of the appliance. Follow the instructions in the appliance Installation Manual for removing the mounting bracket and preparing it for installation.

The wall mounting bracket can be installed on masonry walls such as those constructed of brick or concrete, or to framed walls constructed of wood or steel framing sheathed with gypsum wallboard, drywall, wood, etc. The method used to mount the mounting bracket is different between masonry walls and framed walls. Refer to the following sections for more detail on the method applicable to this installation.

Wall Mount Bracket Sizes

SF-ALLS40: 23-3/4 in. x 15 in.

(604 mm x 381 mm)

SF-ALLS50 / SF-ALLS60: 34-3/8 in. x 15 in.

(871mm x 381 mm)

SF-ALLS72: 50-3/4 in. x 15 in.

(1291mm x 381mm)

Framed Wall

- Locate the mounting bracket on the wall in the desired location of the appliance. Level the bracket, then mark its location on the wall, including a marking for each of the fastener holes in the bracket.
- For each of the marked mounting point locations, determine which points align with a structural framing member. A minimum of two (2) locations must be secured into a framing member.
- At the points where a wood or metal framing member exists, the ST6X50 screw can be installed directly into that structural member.
- For every mounting hole that does not align with a structural framing member, a wall board toggle-bolt anchor must be used. See Figure 3.



Figure 3 3/16 Toggle-Bolt Anchor

- The toggle-bolt anchors are provided to accommodate the required anchor points based on the appliance. Use of toggle bolt anchors requires drywall thickness of minimum 1/2 in. and drilled holes size of 1/2 in. diameter.

- Insert the bolt through the front side of the mounting bracket and thread the toggle onto it from the rear of the bracket. See Figure 4.
- Fold the toggle wings flush against the bolt and push them through a drilled hole until the toggle wings expand open on the other side. See Figure 5.
- Pull back on the bolt and tighten. See Figure 5.

Note: This product cannot be installed on a wall sheathed with drywall less than 1/2 in. thick, unless all six (6) anchor points in the mounting bracket align with structural framing members.

NOTICE: Minimum eight (8) screws and/or toggle bolt anchors are required for wall mounting.

WARNING! Risk of Damage or Personal Injury! Allowable pull-out and shear strength are 25% of ultimate values or less, as required by building authorities.



Figure 4 Toggle Bolt Installation through Mounting Bracket



Figure 5 Installing Anchors in Hollow Wall

Masonry Wall

- Locate the mounting bracket on the wall in the desired location of the appliance. Level the bracket, then mark its location on the wall, including a marking for each of the fastener holes in the bracket.

NOTICE: Minimum six (6) screws and anchors are required for MASONRY wall mounting.

- In the marked locations, drill 5/16 in. diameter x 2 in. deep holes. See Figure 6.
- Insert the provided wall anchors into the holes.
- Gently tap the anchors with a hammer until they are flush with the wall surface.
- With mounting hooks pointed up, attach the bracket to the masonry anchors with ST6X50 screws. See Figure 7.

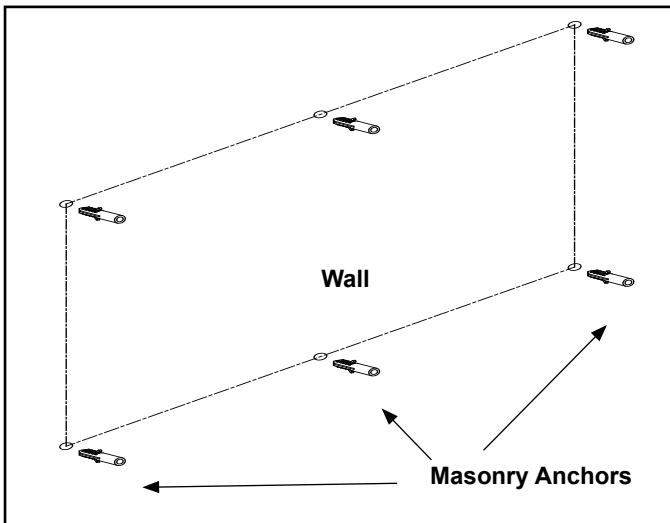


Figure 6 Masonry Anchor Placement

WARNING! Risk of Damage or Personal Injury! Do not use supplied masonry anchors on hollow walls, sheathed with wood, gypsum wallboard, drywall or other materials.

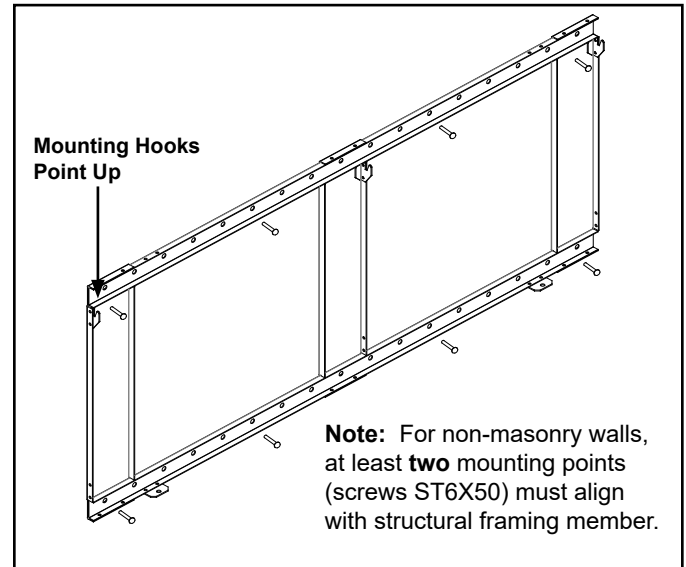


Figure 7 Bracket Attachment

Appliance Installation

1. Hang appliance on the mounting bracket.
2. Align the slots on the back of the appliance with the hooks on the top two corners of the bracket.
3. Hang the appliance and pull down to ensure the hooks are fully engaged. See Figure 8.
4. Secure the appliance to the bracket with two M5X10 screws. See Figure 8.

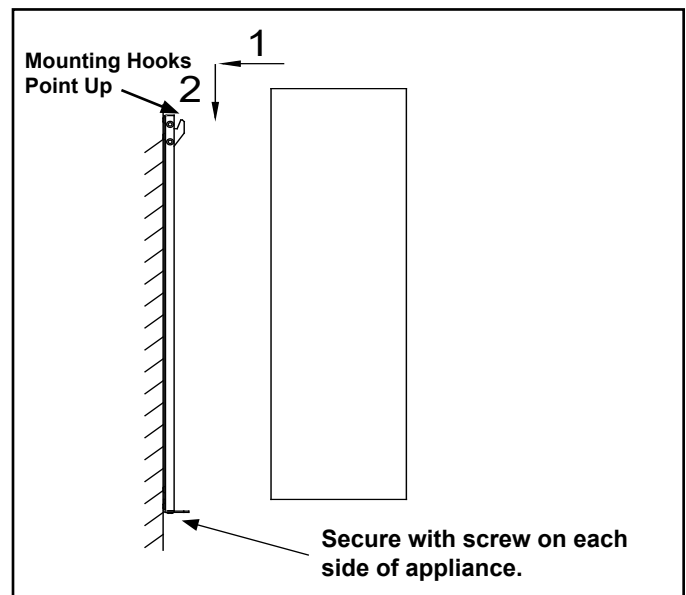


Figure 8 Attaching Appliance to Bracket

Surround Installation

Install Wall Mount Bracket

1. Detach wall mount bracket from appliance following instructions in appliance Installation Manual, then attach wall mount bracket to wall as instructed on pages 3 and 4.

Prepare and Attach Appliance to Wall Mount Bracket

1. Attach appliance to wall bracket on the wall. Install two (2) screws on the bottom of the appliance to secure the appliance to the bracket. See Figure 8.
2. Remove the six (6) framing brackets from the sides and top of the appliance. See Figure 9. Replace with the base of the included two-piece brackets and two (2) ST4x8 screws at each location. See Figure 10.

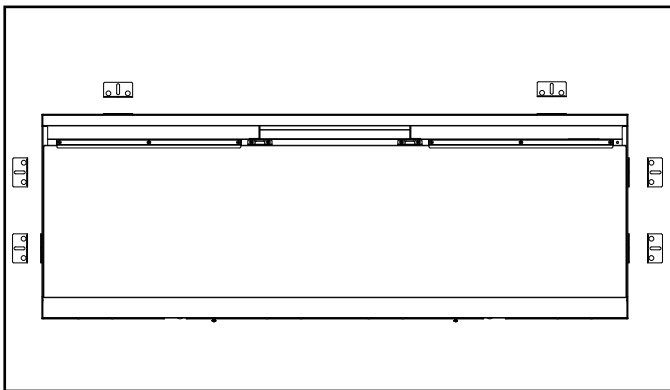


Figure 9 Remove Framing Brackets

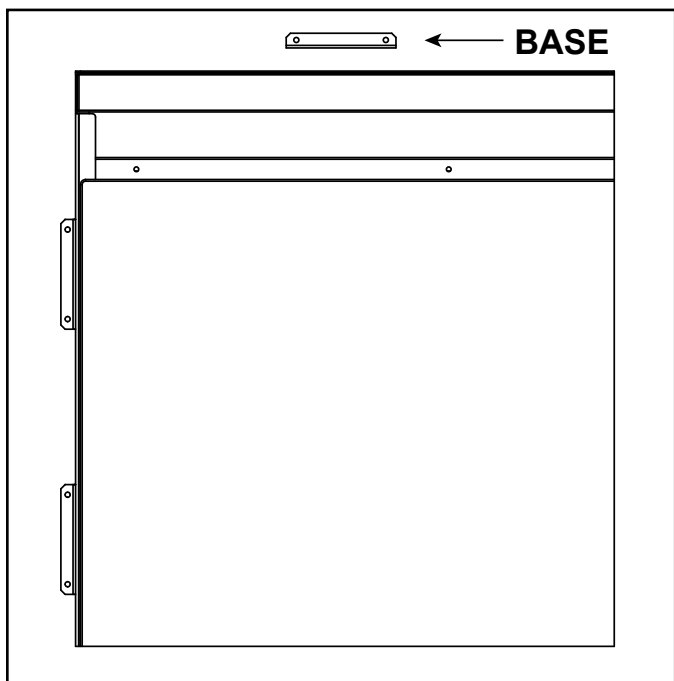


Figure 10 Base of Two-Piece Brackets Installed

Assemble Wall Mount Surround Kit and Attach to Appliance

1. Prepare a non-marring surface to lay out the four (4) surround pieces, face down. Install plug if hole is not needed for power cord.
2. Insert wooden dowels (12) between the top, bottom, and side pieces of the surround as shown and slide pieces together. See Figure 11.
3. Use the linking brackets (12) and M6x12 screws (24) to attach the two sides to the top and bottom surround sections. Confirm the top and bottom are oriented correctly with the cord outlet hole being located on the bottom. See Figure 12.
4. Center the surround in front of the appliance and slide into place onto the mounted appliance, making sure the base bracket is lined up with the slots on the top and sides.

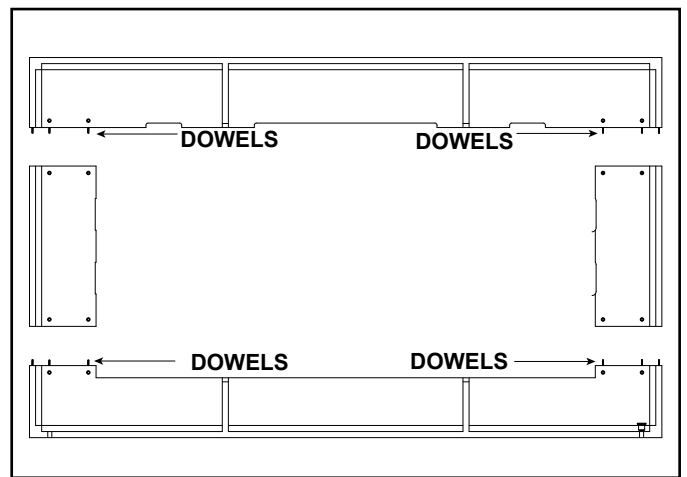


Figure 11 Insert Wooden Dowels

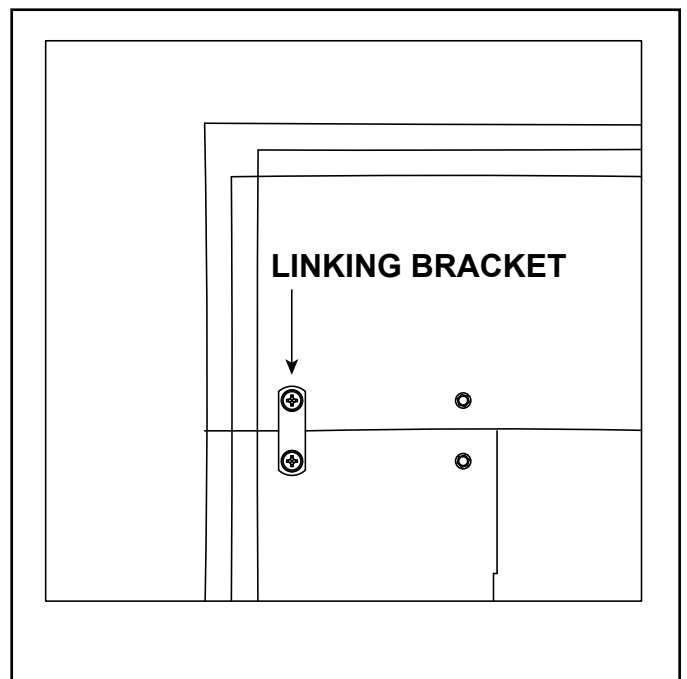


Figure 12 Attach Linking Brackets

5. Line up the bracket face of the two-piece bracket to the bracket base and use twelve (12) STx8 screws to install the pieces together. See Figure 13.
6. The middle slot on the bracket should line up with the pre-drilled holes in the surround. Use the six (6) ST5x10 screws to attach the appliance to the surround.

Install Front

1. To install front trim, see Installation Manual for step-by-step instructions.

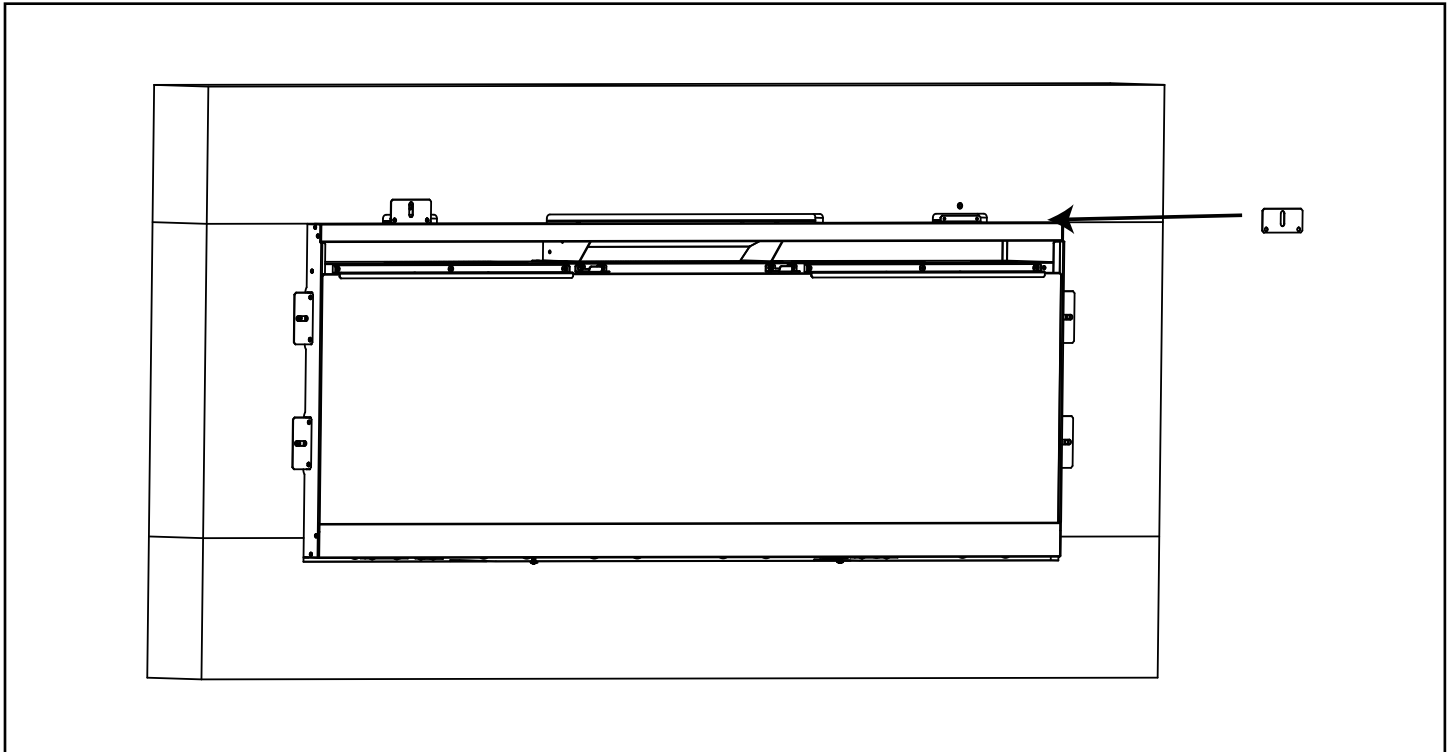


Figure 13 Install Bracket Face of Two-Piece Bracket

SimpliFire, a brand of Hearth & Home Technologies
7571 215th Street West, Lakeville, MN 55044
www.hearthnhome.com