

Inception Folio Decorative Front

Model: FOL-INC36

- Installation Instructions -

**For Model(s):
SF-INC36**



Leave this manual with party responsible for use and operation.

CAUTION! Risk of Cuts, Abrasions or Flying Debris.
Wear protective gloves and safety glasses during installation. Sheet metal edges are sharp.

CAUTION! Do not install damaged components.

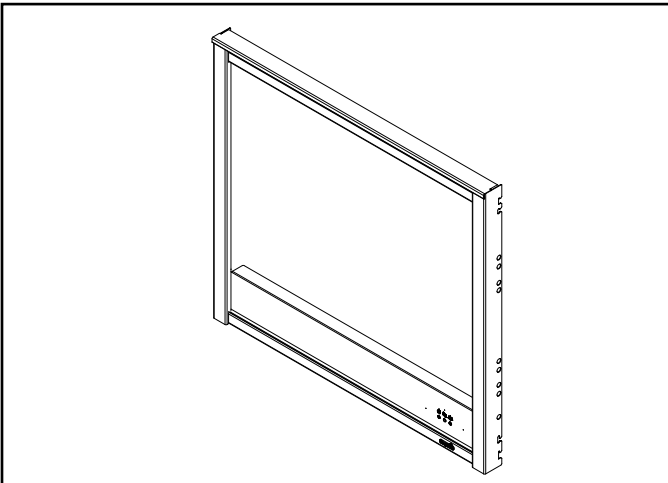


Figure 1 Folio Decorative Front

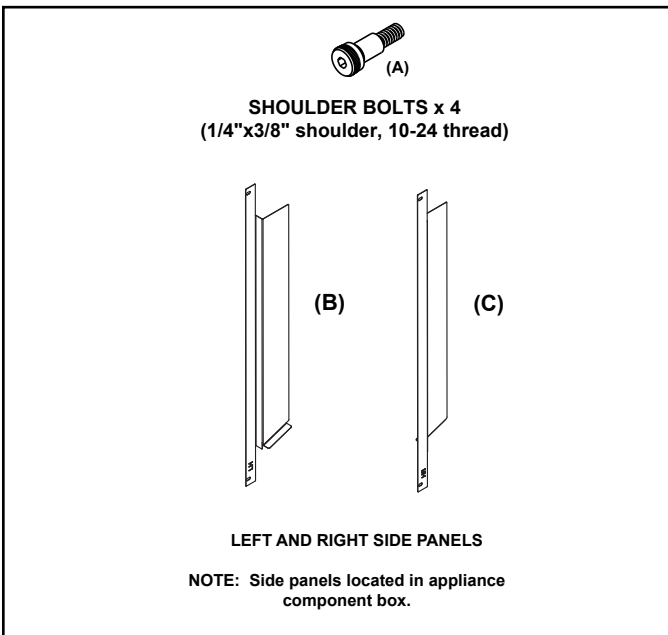


Figure 2 Components Overview

Introduction

These are instructions for the Inception Folio decorative front. This decorative front is compatible with the Inception appliance.

Note: To avoid potential damage to hearth pad or flooring, protect area in front of appliance by laying down cardboard or blanket.

Tools Needed

- 1/8" Hex Key

Installation:

1. Locate side panels (B,C) in the component box shipped with the appliance.
2. Remove all materials from the front packaging.
3. To position the side panels lift up slightly on the Display Bracket shelf in order to place the bottom flange of the side panel under the ember tray for support.
4. Install the side panels using shoulder bolts (A) into the four threaded inserts located in the appliance surround. See Figure 3.

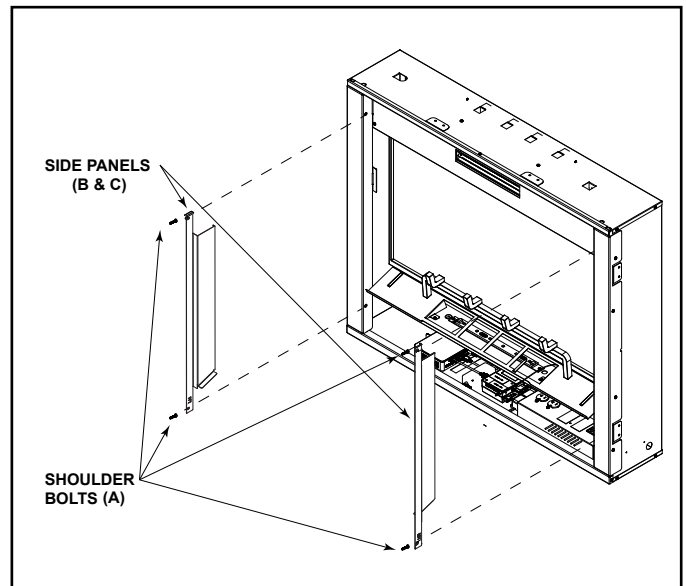


Figure 3 Install Shoulder Bolts

4. Connect the wire harness for the controls at the lower right of the front to the corresponding connector from the appliance. See Figure 4.

NOTE: Before installing decorative front, make sure the appliance junction box master switch is flipped to the ON position.

5. Align the bottom slots on the decorative front with the bottom shoulder bolts and set the front onto the bottom shoulder bolts. Tilt the decorative front towards the appliance until it contacts the top shoulder bolts. Once the decorative front contacts the top shoulder bolts, lift up slightly and push decorative front toward appliance until slots and bolts are engaged. Release the decorative front. The decorative front now hangs on the top two shoulder bolts and is properly secured.
6. Ensure the decorative front is properly attached and securely positioned on the appliance.

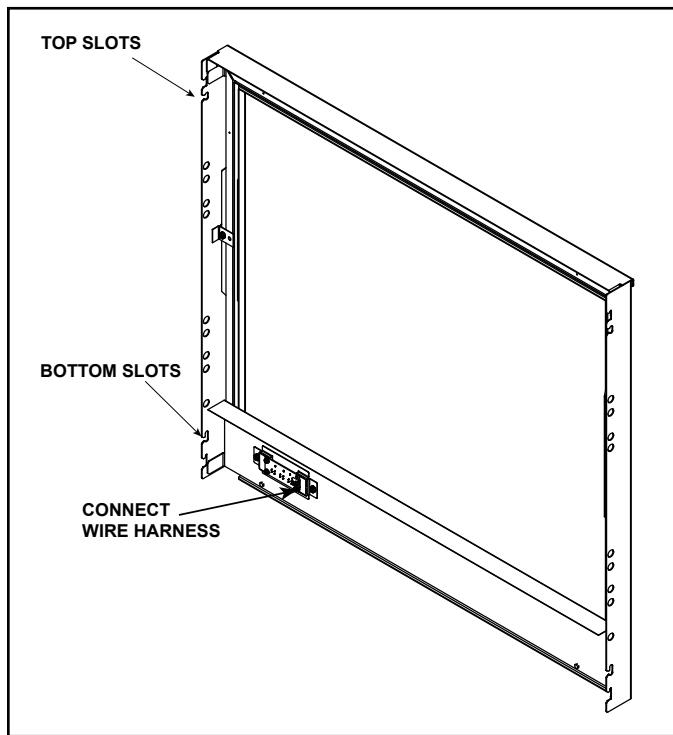


Figure 4 Connect on Device Controls

Cleaning Instructions for Decorative Fronts

Use a microfiber cloth and Windex® Original Glass Cleaner or 03M003 Stove Bright® Glass Cleaner to clean the decorative front immediately after installation to remove acids deposited by the installer or technician. Spray the cleaner onto the microfiber cloth and carefully wipe the entire surface. The decorative front should be cleaned in this manner annually by the homeowner to remove fingerprints or other contaminants. Once oxidation of the paint pigment has occurred, cleaning will not restore the original color.

Replacement Parts

- | | |
|-------------------------|-------------|
| • Side Panels | SRV4200-106 |
| • Vanity Panel Assembly | SRV4200-034 |
| • Door Buttons Jumper | SRV4200-183 |

SimpliFire, a brand of Hearth & Home Technologies
7571 215th Street West, Lakeville, MN 55044
www.hearthnhome.com

Please contact your SimpliFire dealer
For the location of your nearest SimpliFire dealer,
please visit www.hearthnhome.com.