

Log Set Instructions

Part #1-00-674097 and 3-40-674099
(Accentra 52i and 35i)

Packing List:

- (1) Bracket 5/32"
- (2) 1/4-20" X 1/2" Wing Screws
- (1) Log - 3-40-674099 (Figure 3)

Tools Required:

- Hex Key Wrench (Accentra 52i)
- 3/8" Wrench (P35i)

Prior to Install:

Accentra 52i

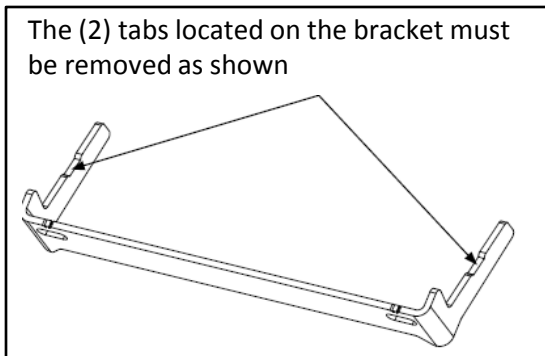


Figure 1

P35i

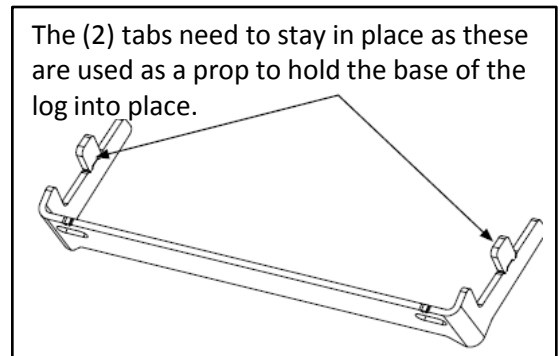


Figure 2

Installation Instructions:

Step 1: With the stove off and cool, open the front door. Using the hex key wrench, remove the two button head screws located just inside the door opening.

Step 2: Position the log bracket over the threaded holes and secure with the wing screws provided in the kit. (The wing screws are used so that no special tools are needed for regular cleaning.)

Step 3: Lay the log on the bracket with the long straight log closest to the bottom of the stove and the branches reaching over the burn pot. (Figure 3 & 4)

Step 4: Close the door and latch securely. The unit is now ready for burning.



Figure 3



Figure 4

MAINTENANCE: Ash build-up will occur and can be removed by tilting the log. Be careful not to breathe in the dust. Do not put the ash into a combustible container. Also, remove the log to scrape the burn pot. This will avoid possible damage to the log

NOTES:

- The log will be hot when the stove is burning, and will retain some of the heat after shut down. Use proper protection when handling the log.
- *The high heat and abrasive nature of a pellet fire, coupled with continuous handling, can damage the logs. Based on this information, we highly recommend using the logs only for special occasions or when a decorative fire is wanted. For normal operation, burning without the logs results in a cleaner, more efficient burn and makes firebox maintenance easier*