

PRIMO-II Indoor/Outdoor Window Trim Kit

ODK-PR-48, ODK-PR-60, ODK-PR-72

Models: PRIMO-II-48ST, PRIMO-II-60ST, PRIMO-II-72ST

Installation Instructions



Leave this manual with party responsible for use and operation.

CAUTION! Risk of Cuts, Abrasions or Flying Debris. Wear protective gloves and safety glasses during installation. Sheet metal edges are sharp.

CAUTION! Do not install damaged components.

DANGER

HOT GLASS WILL CAUSE BURNS.

DO NOT TOUCH GLASS UNTIL COOLED.

NEVER ALLOW CHILDREN TO TOUCH GLASS.

A barrier designed to reduce the risk of burns from the hot viewing glass is provided with this appliance and must be installed for the protection of children and other at-risk individuals.

Window Specifications

Width and height are specified in the table below. Do not exceed specified dimensions.

CAUTION! Risk of burns! DO NOT exceed window size specifications. Glass will become hot. Component damage could occur.

Kit	Window Frame		Framing Dimensions	
	Width	Height	Width	Height
ODK-PR-48	60	30	61	30-1/2
ODK-PR-60	72	30	73	30-1/2
ODK-PR-72	84	30	85	30-1/2

Table 1 Window Dimensions

Note: The window frame dimensions are the overall window frame width and height measurements, not the glass or window sash measurements.

Note: Refer to the window manufacturer's instructions included with the window for complete installation requirements.

Introduction

The PRIMO-II Indoor/Outdoor Window Trim Kit is designed to allow viewing of the appliance from the exterior of the home. The ODK-PR (-48,-60,-72) is a metal trim kit which allows one side of a PRIMO-II See-Through appliance to be installed up to the interior side of an outside wall of the structure. The kit must be installed prior to placement of the appliance in the chase and must be installed by a Qualified Service Technician. The kit may be used with an installed window that meets the specifications as noted in the Window Specifications and Preparation sections.

Read all instructions before proceeding with installation.

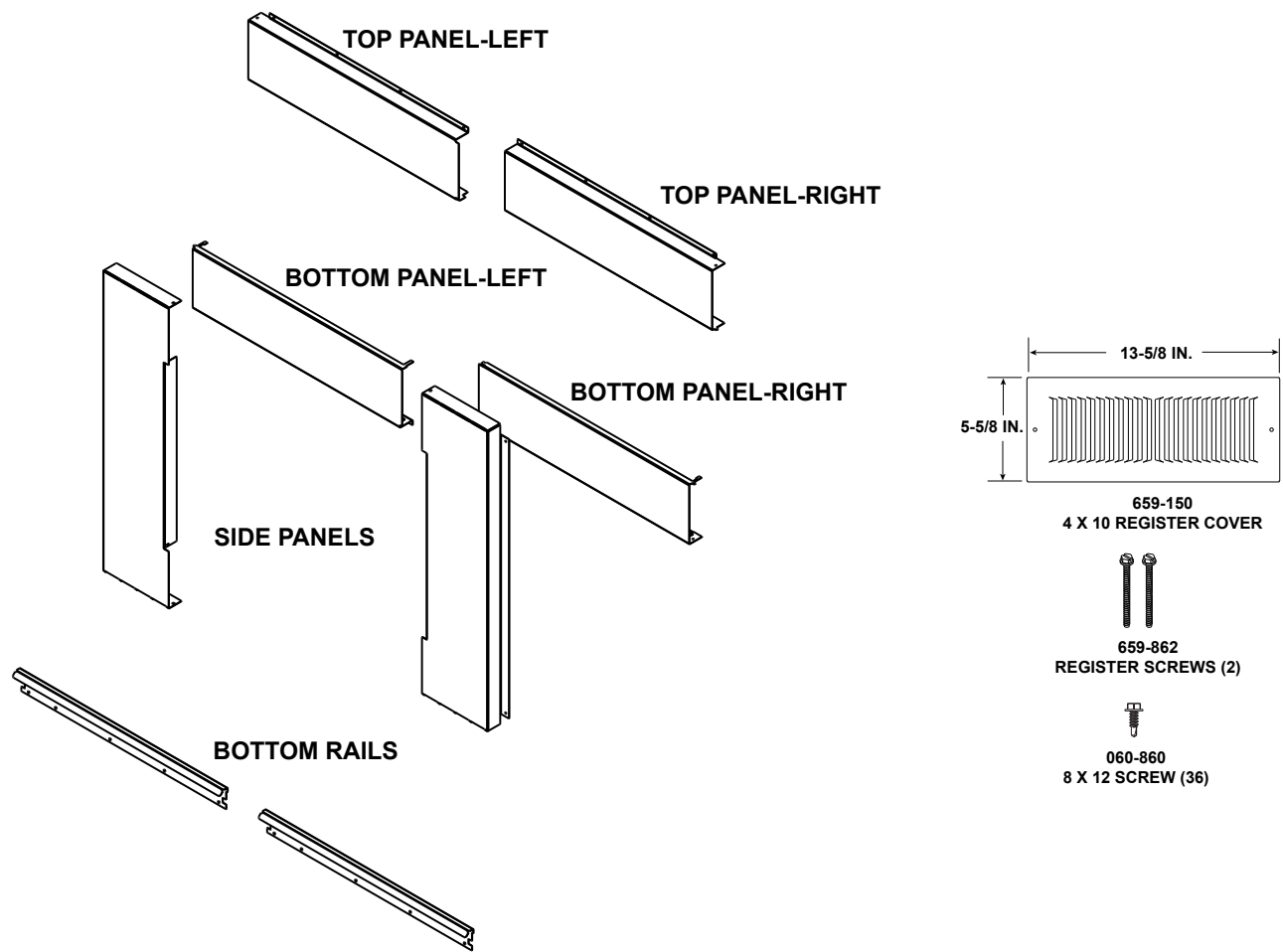
Scan the QR code to view an instructional video.



Kit Components:

- Side Panel (2)
- Bottom Panel (2)
- Bottom Rail (2)
- Top Panel (2)
- White Register Cover and Screws (1)
- Hardware Pack

Verify and remove contents from packaging before beginning installation. See Figure 1.



DESCRIPTION	MODEL	PART NUMBER	QUANTITY
Bottom Rail	PRIMO-II-48	2670-260	2
	PRIMO-II-60	2672-260	2
	PRIMO-II-72	2674-260	2
Bottom Panel-Left	PRIMO-II-48	2670-261	1
	PRIMO-II-60	2672-261	1
	PRIMO-II-72	2674-261	1
Bottom Panel-Right	PRIMO-II-48	2670-264	1
	PRIMO-II-60	2672-264	1
	PRIMO-II-72	2674-264	1
Side Panel	PRIMO-II-48	2670-262	2
	PRIMO-II-60		
	PRIMO-II-72		
Top Panel-Right	PRIMO-II-48	2670-263	1
	PRIMO-II-60	2672-263	1
	PRIMO-II-72	2674-263	1
Top Panel-Left	PRIMO-II-48	2670-265	1
	PRIMO-II-60	2672-265	1
	PRIMO-II-72	2674-265	1

Figure 1 Kit Contents

Preparation

NOTICE: *Fireplace installation height must be considered when planning placement of window.*

1. Interior wall must have drywall (or other wall sheathing) and exterior window jams installed and finished (stained or painted) prior to installation of this kit. The chase must be insulated and finished with drywall or plywood per exterior wall requirements.
2. It is recommended that the window is operable from the outside for future cleaning of the glass. Check with local jurisdiction to determine if access is required.
 - If window is operable from the outside, it can be finished after the appliance is installed. It may be painted or stained, sealed and a jam extension may be installed. The transition media tray, transition pieces, glass media and SafeSurface glass can be installed after appliance is installed.
 - If an inoperable window is installed, the interior side of the window must be finished. It must be painted or stained, sealed and a jam extension must be installed. The firebox glass, transition media tray, transition pieces, glass media, SafeSurface glass all must be installed prior to the appliance being installed and will not be accessible after installation is complete. All glass surfaces must be cleaned and free of debris.
3. Proper convection air flow must be maintained. See Convection Air Opening Requirements section and Figure 5 for air flow diagram. Ensure installation of appliance and window allow for proper air flow. Consider register and airflow opening when planning installation. Do not block register cover or air inlet.
4. The appliance must be installed with the control side in the interior of the building.

NOTICE! Risk of Component Overheating! Appliance MUST be installed with the control side in the interior of the building. Component damage will occur. Access for service will be difficult.

NOTICE! Risk of Component Overheating! DO NOT operate appliance with outside window open. Window MUST remain closed for proper operation of appliance.

Convection Air Opening Requirements:

- Vent area must be in a location that is below the bottom of the ODK kit as the airflow enters from the bottom. See Figure 5.
- The register provided is meant to fit on a 4 x 10 inch opening and may be located on the front or side of appliance. See Figure 1 for dimensions of included register cover. A cabinet installation is allowed, but must not be a sealed cabinet or door.
- A register cover other than the one provided with the kit may be used if the effective opening is at least 25 square inches. An open/close feature on the register cover is not allowed.

WARNING! Risk of Overheating! DO NOT use a register cover with an open/close feature if substituting. Overheating will occur.

- If the register is located on one side, the framing must allow for airflow to both sides of the appliance and to the bottom vents. See Figure 5.
- If pulling fresh air from under appliance, the air gap must be a minimum of 1 inch across the entire base of the appliance. Framing can touch the appliance as long as a total airflow opening of 25 square inches is maintained.

Framing Requirements:

- The appliance may be placed on the floor.
- If the appliance is raised on a platform and the vent area is below the platform, the platform must allow the airflow to the ODK Kit bottom vents.
- It is permissible to frame to the minimum framing dimensions as noted in the appliance Installation Manual. Minimum depth dimension must be framed to the specifications for the ODK Kit, as noted in this instruction, not the standard interior dimensions for See-Through appliances. The minimum dimension is 18-5/8 inches as noted in Figure 4.

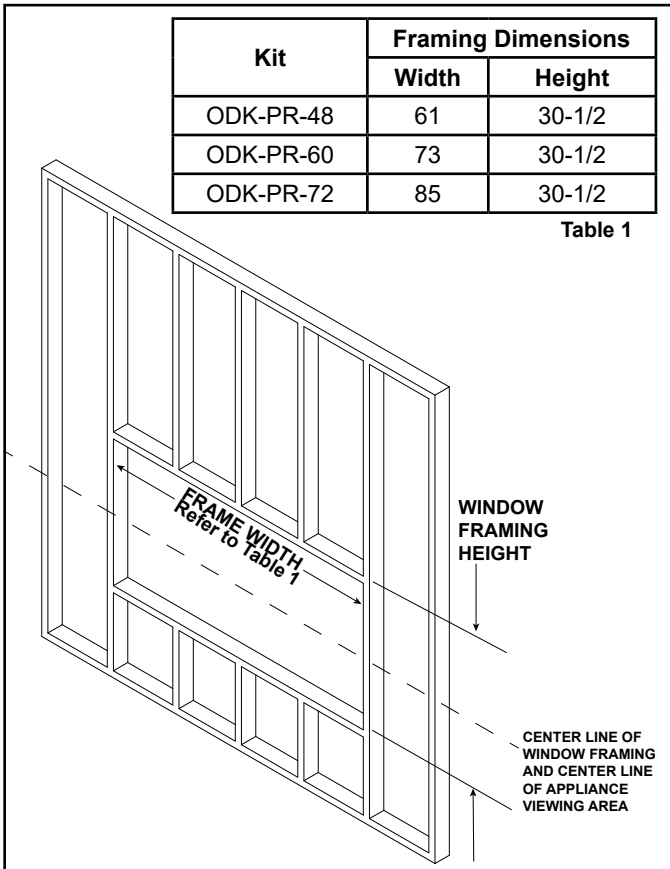


Figure 2 Exterior Window Rough Opening Framing Dimensions

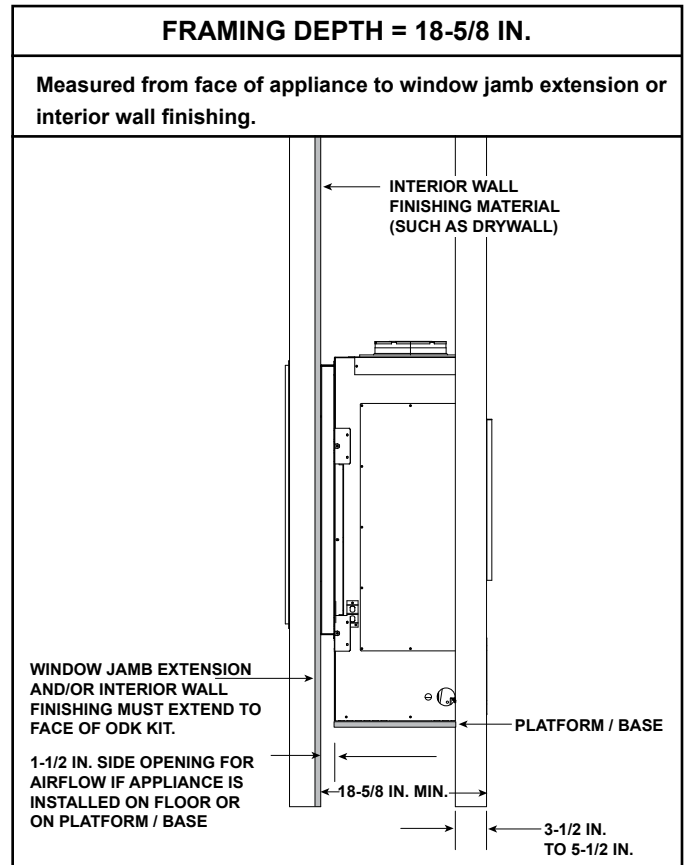


Figure 4 Inside Wall Setup

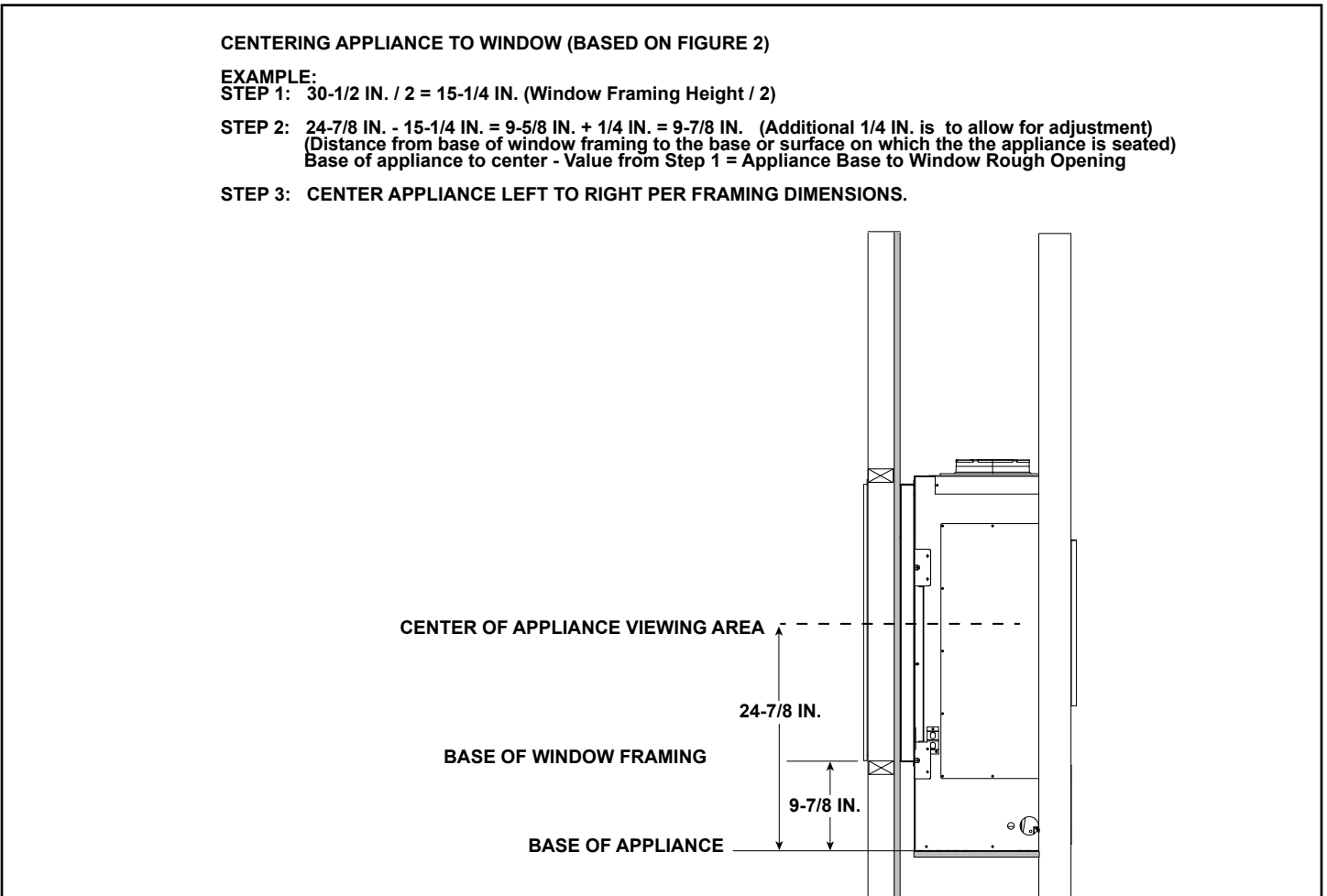


Figure 3 Outside Wall Framing

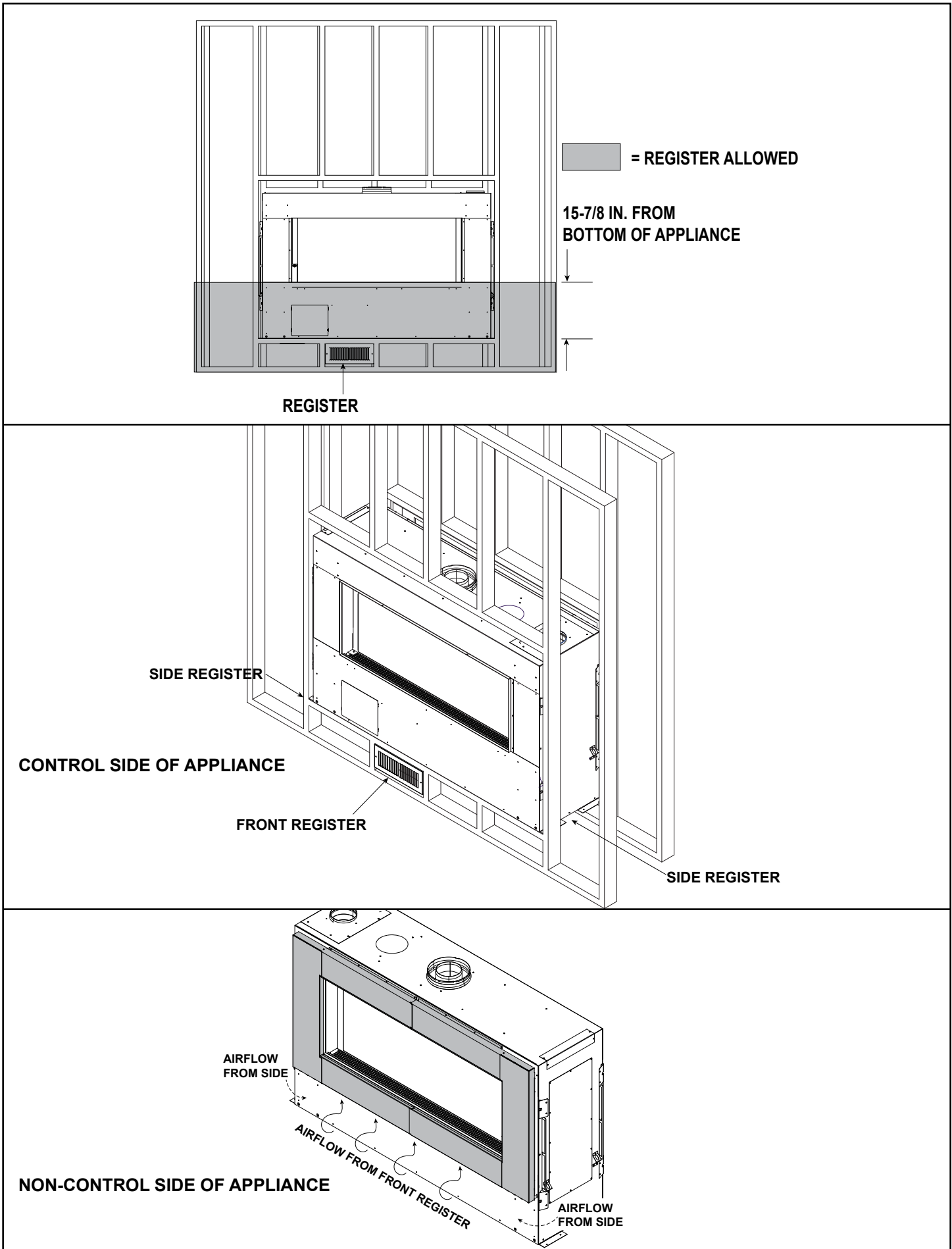


Figure 5 Air Flow Diagram - Front and Side Views

Installation Instructions

Metal trim kit pieces are installed on the side of the appliance that will be pushed up to the exterior window, which will be referred to as the “outside” of the appliance. The side of the appliance that is in the interior of the home or structure will be referred to as the “inside.”

1. Align the right side of the bottom rail with the sheetrock ledge on the right side of the appliance as shown in Figure 6. Install the included self-tapping screws. Repeat the steps to install the left bottom rail. See Figure 7.

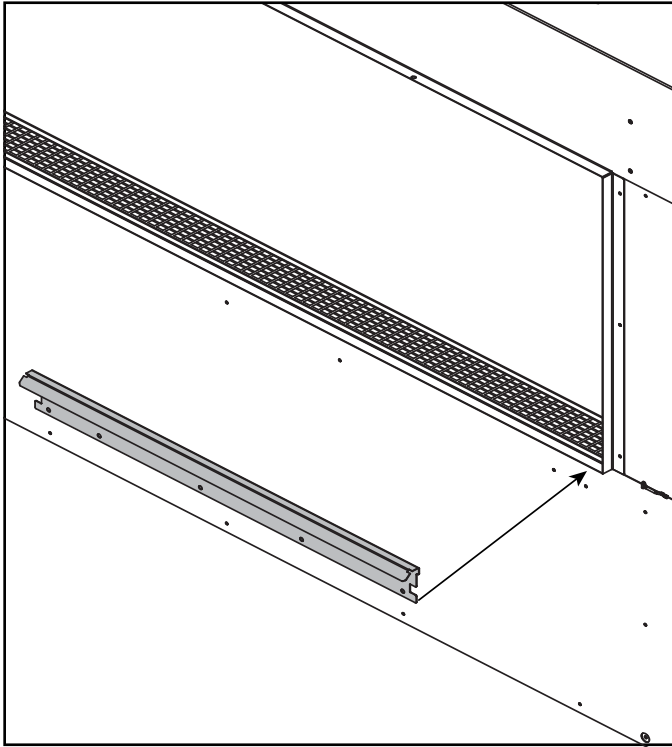


Figure 6 Align and Install the Bottom Rail

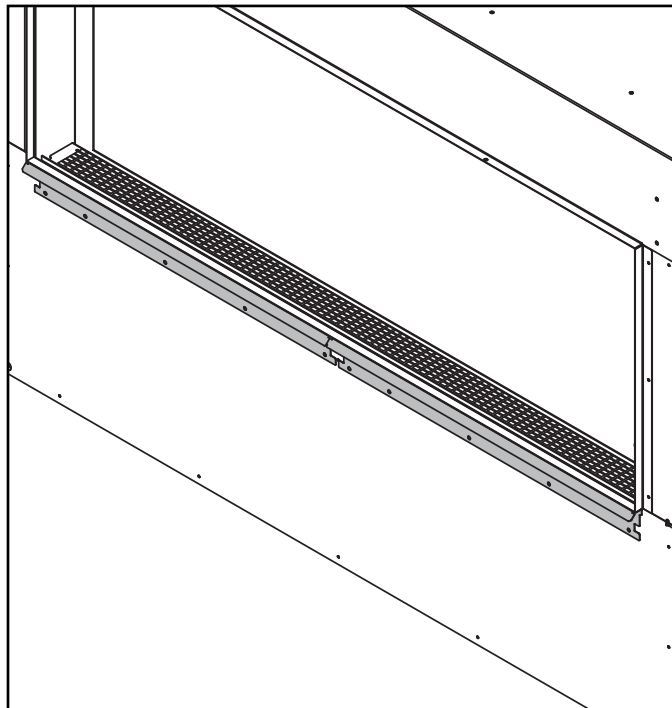


Figure 7 Bottom Rails Installed

2. Install the top right panel by aligning the bottom ledge of the panel with the side sheetrock ledge as shown in Figure 8. Install the screws in the top flange of the top right panel.
3. Install the top left panel by aligning the bottom ledge of the panel with the left side sheet rock ledge. The top left panel will overlap the top right panel as shown in Figure 9. Install the screws in the top flange of the top left panel.

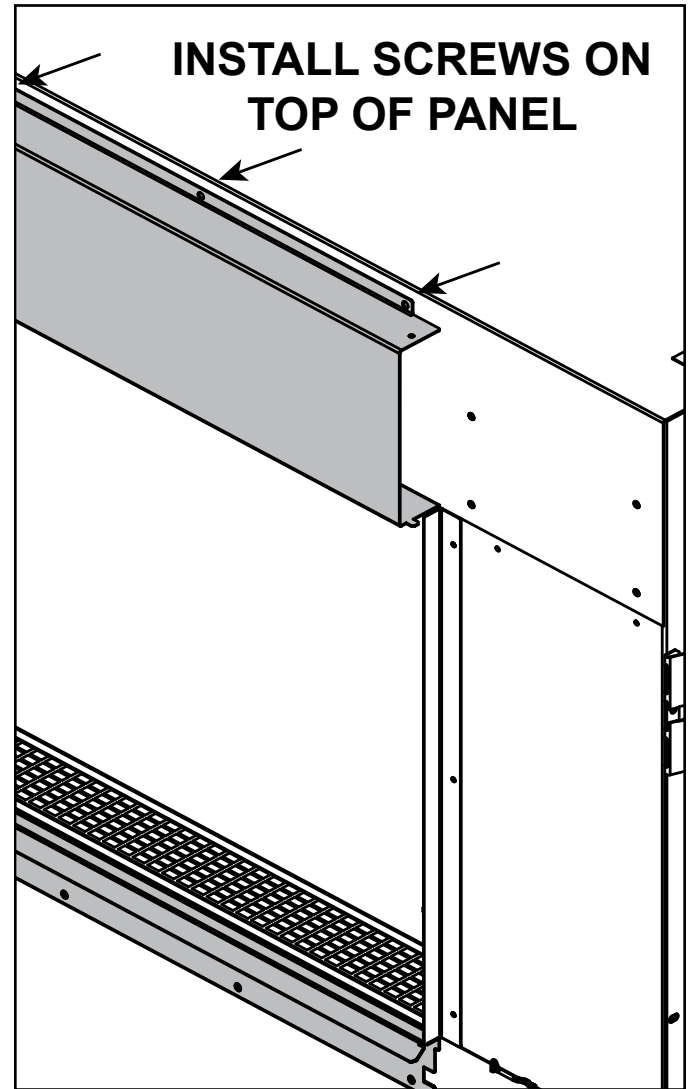


Figure 8 Top Right Panel Alignment

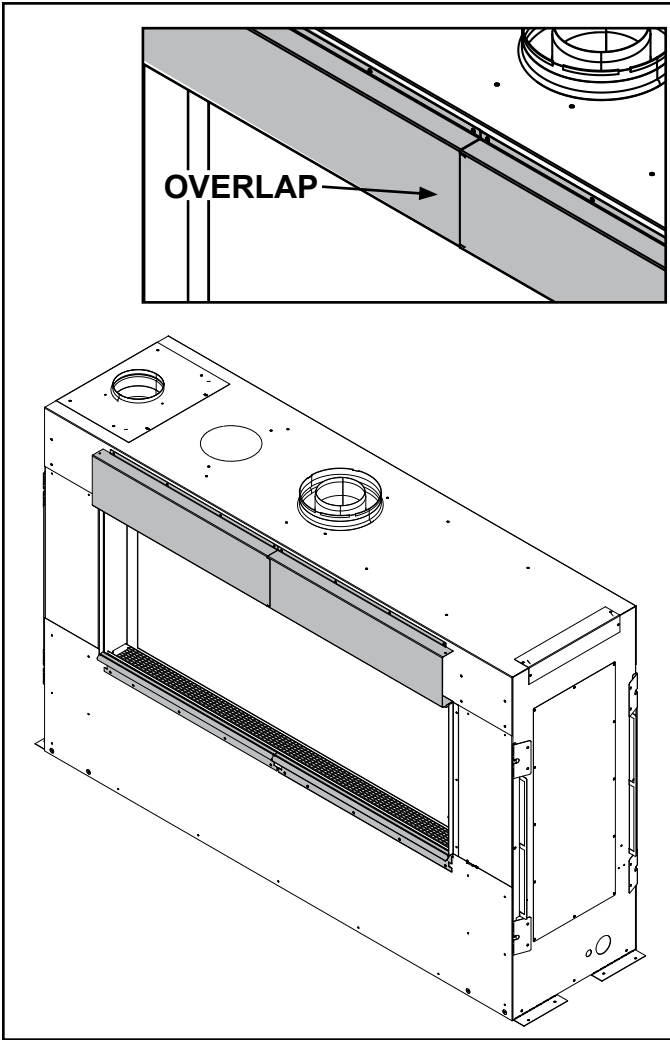


Figure 9 Top Panels Installed Overlap Detail Shown

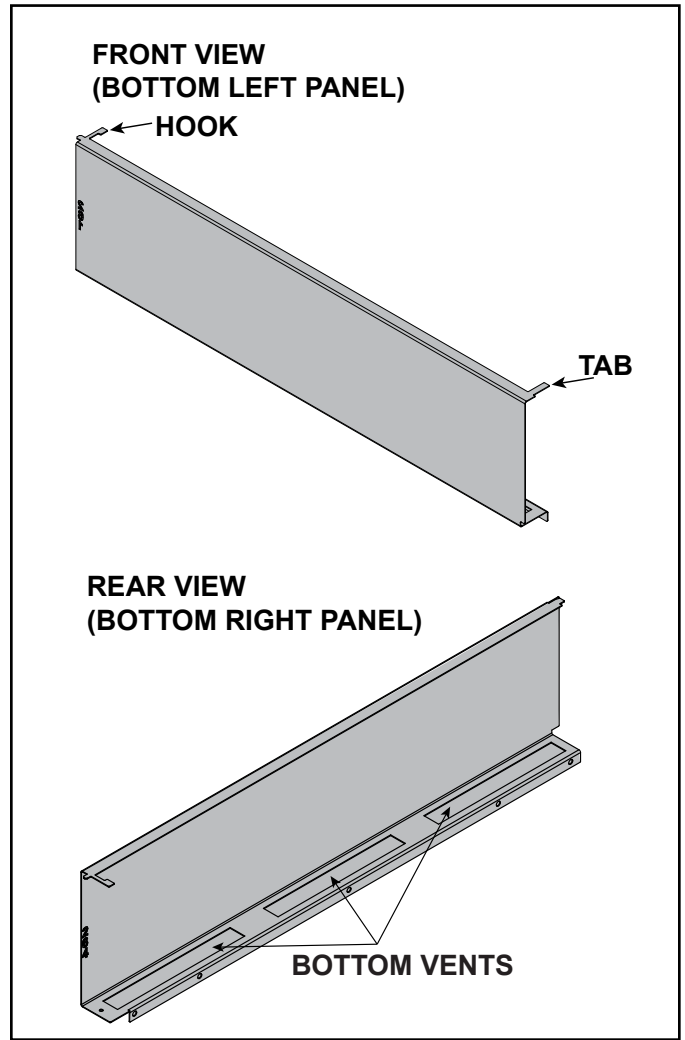


Figure 10 Bottom Panel Vents (Bottom Left Panel Shown)

- Place the bottom left panel so that the vents are directed toward the bottom of the appliance. See Figure 10. Align the top bend with the sheet rock ledge on top. Interlock the top left outside hook and then engage the center top tab with the slot on the bottom rail. Hold top edge flush. Install the bottom screws. See Figure 11.

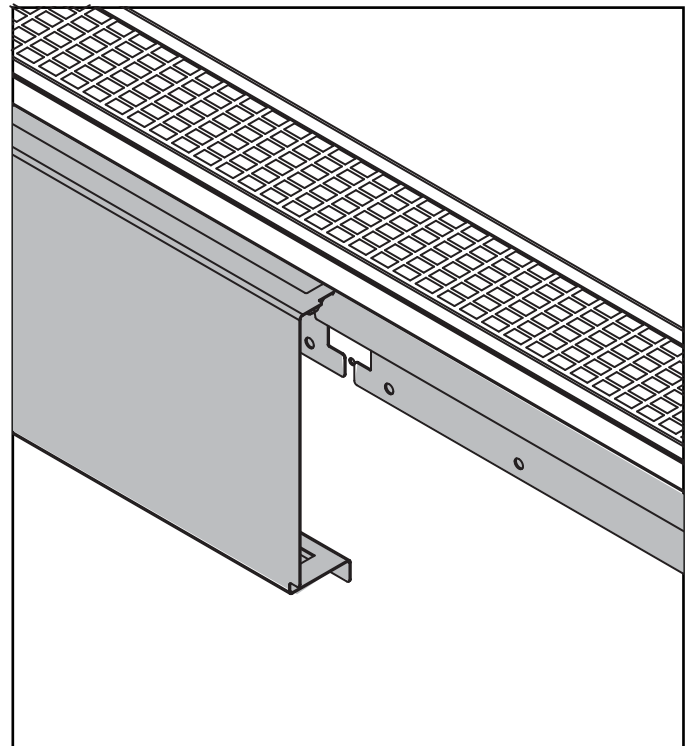


Figure 11 Bottom Left Panel Installed

5. The bottom right panel overlaps the left panel. Interlock the top right outside tab and then interlock the center tab of the right bottom panel. See Figure 12.

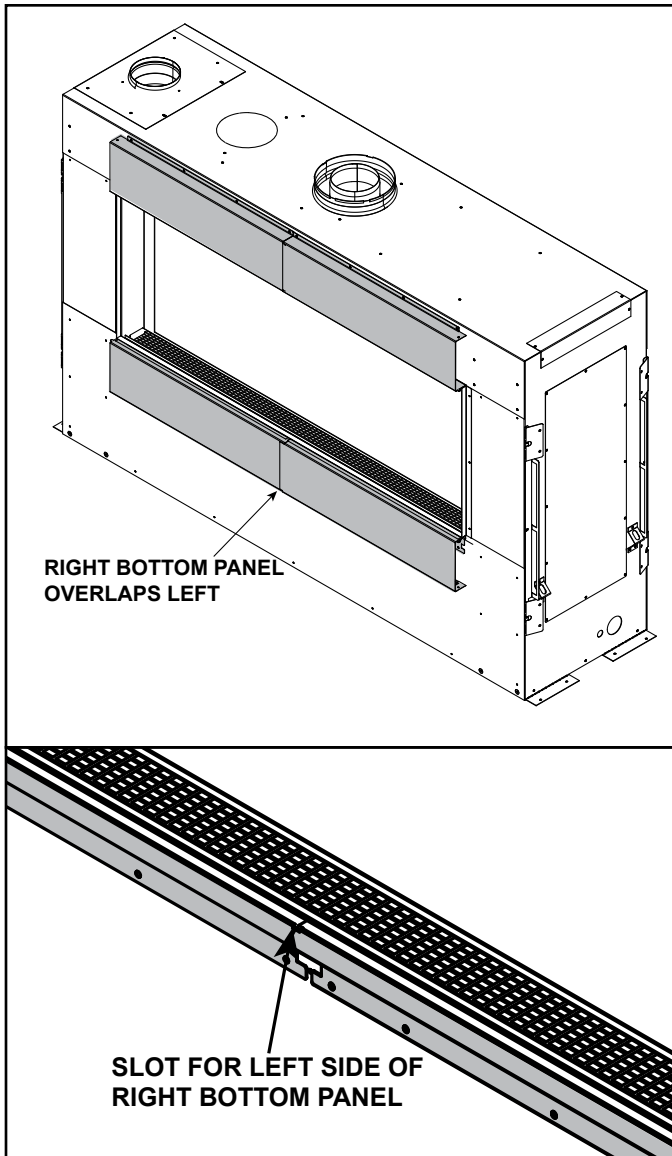


Figure 12 Center Slot for Right Bottom Panel

6. The side panels are symmetrical. Position the side panel and interlock it with the slots on the top and bottom panel. The top and bottom screws are installed through the pilot holes on both the top and side panels as noted in Figure 13. Install two self-tapping screws into side panels. Repeat process with the right side panel. The tabs are visible in the detail shown in Figure 14.
7. Install screws in bottom panels. Hold top edge of bottom panel flush with bottom of appliance opening when installing screws. See Figure 15.

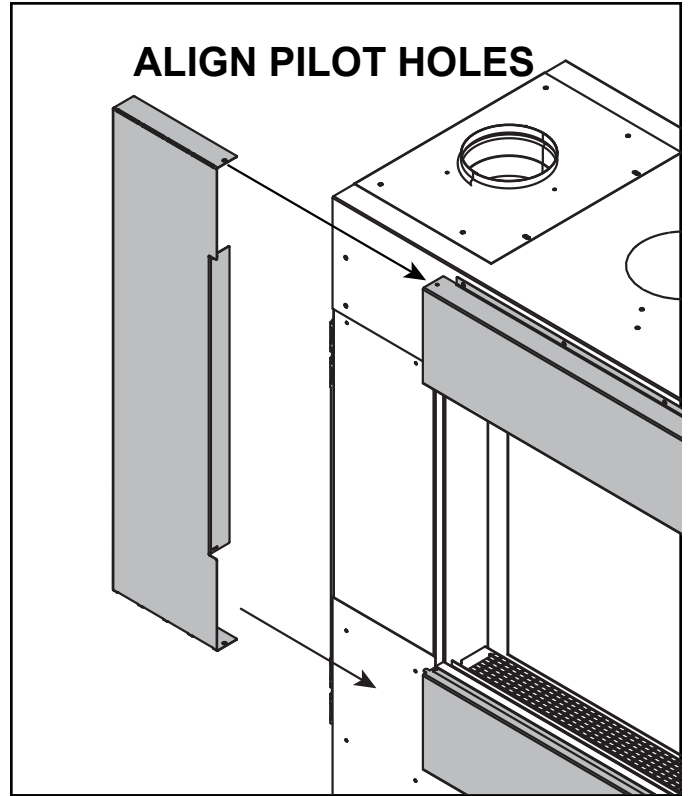


Figure 13 Left Side Panel

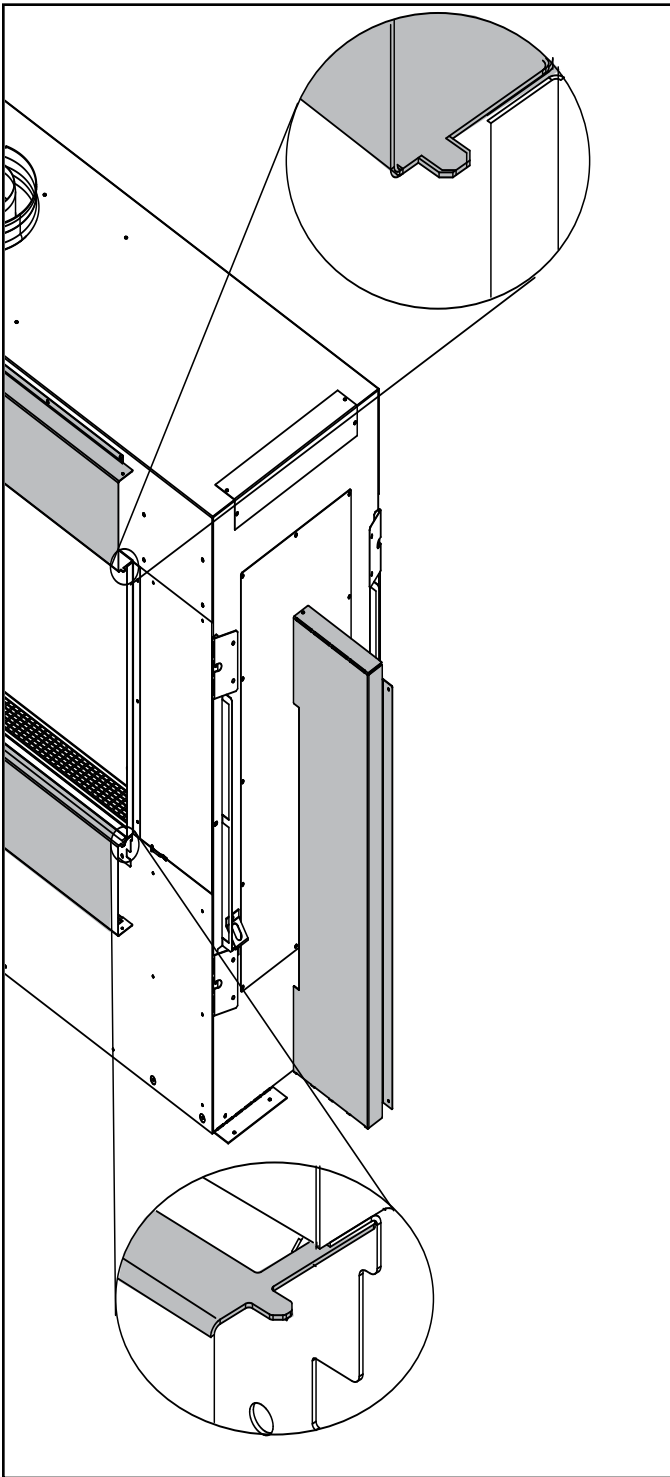


Figure 14 Right Side Panel Placement

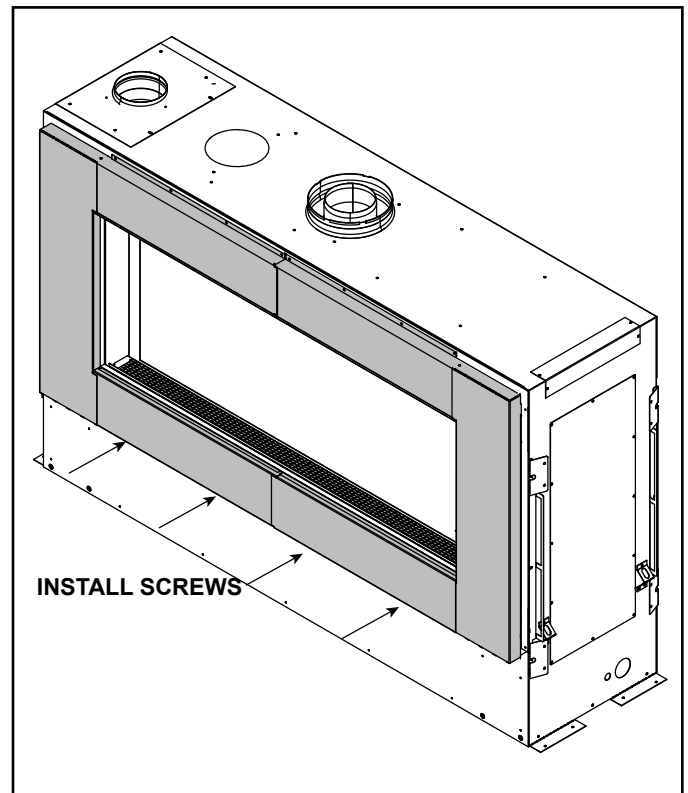


Figure 15 Both Side Panels Installed

Painting / Finishing

The metal trim can be painted with a high-temperature paint.

Install Appliance Into Framing

Note: The nailing tabs on the window side of the appliance are not required to be used.

1. Position appliance into framing. If a non-operable window is installed, the media, transition pieces and SafeSurface glass must be installed prior to pushing the appliance up to the window.
2. Inspect the appliance from the interior and exterior of the building. Ensure the appliance is pushed all the way up to the window extension jamb.

Please contact your Heat & Glo dealer with any questions or concerns.
For the location of your nearest Heat & Glo dealer, please visit www.heatnglo.com.

Heat & Glo, a brand of Hearth & Home Technologies
7571 215th Street West, Lakeville, MN 55044
www.heatnglo.com