

**DECORATIVE FRONT**  
**MANOR36, MANOR42, CHAPEL-6, CHAPEL-8**  
**ENSEMBLE36, ENSEMBLE42, LOFT-6, LOFT-8,**  
**FORGE-6, FORGE-8, STUDIO-6, STUDIO-8, VENTURA36, VENTURA42**  
*- Installation Instructions for all available color choices -*



Leave this manual with party responsible for use and operation.

**CAUTION! Risk of Cuts, Abrasions or Flying Debris.**  
 Wear protective gloves and safety glasses during installation. Sheet metal edges are sharp.

**CAUTION! Do not install damaged components.**

DANGER

**HOT GLASS WILL CAUSE BURNS.**

**DO NOT TOUCH GLASS UNTIL COOLED.**

**NEVER ALLOW CHILDREN TO TOUCH GLASS.**

A barrier designed to reduce the risk of burns from the hot viewing glass is provided with this appliance and must be installed for the protection of children and other at-risk individuals.

**WARNING! Risk of Fire! Combustible materials MUST NOT overlap or be placed under a surround.**

**WARNING! Risk of Fire! DO NOT apply combustible materials beyond the minimum clearances. Comply with all minimum clearances to combustibles as specified. Overlapping materials could ignite and will interfere with proper operation of decorative fronts.**

## Preparation

1. Remove contents from packaging. Refer to Table 1 for Decorative Front dimension information.

Decorative Front	Height	Width
LOFT-6 CHAPEL-6 FORGE-6 MANOR36 ENSEMBLE36 STUDIO-6 VENTURA36	32-7/16 in.	39-5/16 in.
LOFT-8 CHAPEL-8 FORGE-8 MANOR42 ENSEMBLE42 STUDIO-8 VENTURA42	34-7/16 in.	46-5/16 in.

**Table 1 Decorative Front Dimensions**

## Finishing Material/Method

These decorative fronts are designed to be installed as Overlap Fit or Inside Fit.

### Inside Fit Method:

When installing a decorative front using the Inside Fit method, the factory-supplied finishing strips must be installed prior to installation of the finishing material. The finishing strips ship with the appliance and are located in the control cavity underneath the firebox. The finishing strips must be removed before installing the decorative front. Finishing strips will add the proper clearances for the installation of the front.

Typically, the inside fit method is only used when non-combustible finish material greater than 1 inch is used (such as cultured stone). This finish material is installed adjacent to the decorative front sides and top. When installed, the back of the decorative front contacts the black surround on the fireplace, thus the decorative front is "inside" the adjacent finish material. Refer to the appliance Installation Manual for more detailed information.

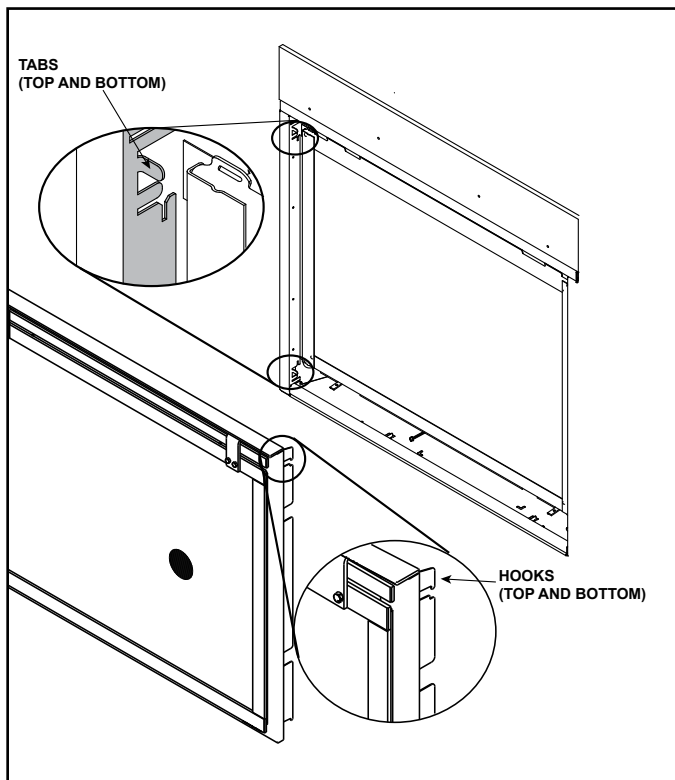
**Overlap Fit Method:**

The factory-supplied finishing strips are not needed for this method of finishing. Remove the finishing strips from the control cavity of the appliance and discard.

Non-combustible finish material that is 1 inch or less (such as marble or tile) is installed up to the fireplace opening on the sides and top. When installed, the back of the decorative front contacts the face of the finish material. Refer to the appliance Installation Manual for more detailed information.

**Installation**

1. Verify that the finishing strips have been removed, if previously installed.
2. The decorative front is installed by engaging top and bottom hooks on the front with top and bottom tabs on the appliance. See Figure 2. Align the bottom hooks on the decorative front with the bottom tabs on the appliance. Set the bottom hooks on the tabs and tilt the front toward the appliance until it contacts the top tabs. Once the decorative front contacts the top tabs, lift up slightly and push decorative front toward appliance until hooks and tabs are engaged.



**Figure 2 Hanging Tab and Hook Locations (Loft Decorative Front Shown)**

SERVICE PARTS		
Decorative Front	Part Number	Description
LOFT-6	SRV2581-040	Mesh
CHAPEL-6 FORGE-6 MANOR36 ENSEMBLE36	SRV2582-023	
STUDIO-6 VENTURA36	SRV2582-021	
LOFT-8	SRV2585-040	
CHAPEL-8 FORGE-8 MANOR42 ENSEMBLE42 STUDIO-8 VENTURA42	SRV2586-023	
STUDIO-8 VENTURA42	SRV2586-021	

**Cleaning Instructions for Decorative fronts**

Use a microfiber cloth and Windex® Original Glass Cleaner or 03M003 Stove Bright® Glass Cleaner to clean the decorative front immediately after installation to remove acids deposited by the installer or technician. Spray the cleaner onto the microfiber cloth and carefully wipe the entire surface. The decorative front should be cleaned in this manner annually by the homeowner to remove fingerprints or other contaminants. Once oxidation of the paint pigment has occurred, cleaning will not restore the original color.

Please contact your Hearth & Home Technologies dealer with any questions or concerns. For the location of your nearest Hearth & Home Technologies dealer, please visit [www.hearthnhome.com](http://www.hearthnhome.com).

Hearth & Home Technologies  
7571 215th Street West, Lakeville, MN 55044  
[www.hearthnhome.com](http://www.hearthnhome.com)