

Portrait Decorative Front

PORTRAIT-6-BK, PORTRAIT-8-BK

HEAT & GLO

No one builds a better fire

Models: 6K,8K, 6KL,8KL, 6KX, 8KX, 6KMOD, 8KMOD

- Installation Instructions -



Leave this manual with party responsible for use and operation.

CAUTION! Risk of Cuts, Abrasions or Flying Debris. Wear protective gloves and safety glasses during installation. Sheet metal edges are sharp.

DANGER



HOT GLASS WILL CAUSE BURNS.

DO NOT TOUCH GLASS UNTIL COOLED.

NEVER ALLOW CHILDREN TO TOUCH GLASS.

A barrier designed to reduce the risk of burns from the hot viewing glass is provided with this appliance and must be installed for the protection of children and other at-risk individuals.

WARNING! Risk of Fire! Combustible materials **MUST NOT** overlap or be placed behind a decorative front.

CAUTION! Do not install damaged components.

WARNING! Risk of Fire! DO NOT apply combustible materials beyond the minimum clearances. Comply with all minimum clearances to combustibles as specified. Overlapping materials could ignite and will interfere with proper operation of decorative fronts.

IMPORTANT INSTALLATION INFORMATION

MAINTAIN required mantel and TV clearances to avoid damage to finishing materials and/or TV.

Special TV and Mantel Clearance Requirements

The Portrait decorative front has unique requirements for clearances to TV's and mantels. Verify that the appliance is installed in compliance with the required clearances to mantels. The installation must comply with the specified TV Guidelines and Combustible Mantel and Non-Combustible Mantel diagrams included in this instruction. Refer to the appliance Installation Manual for additional information.

Mantel and Wall Projections

WARNING! Risk of Fire! Comply with all minimum clearances as specified. Mantel **MUST** be fastened to wall with no gaps.

- Framing closer than the minimums listed must be constructed entirely of non-combustible materials (i.e., steel studs, concrete board, etc.).
- No gaps allowed between the wall and the bottom of the mantel.
- Combustible mantel legs and wall projections may be applied over the non-combustible board supplied with the appliance. Follow guidelines as shown in the figures below for mantels, mantel legs and wall projections.

Note: Measurement is taken from top/side of the opening, NOT the top/side of the appliance.

Verify that mantel clearance requirements are maintained for combustible or non-combustible mantels as shown in Figure 1 and Figure 2. Refer to Figure 3 and Figure 4 if the Passive Heat Kit is installed.

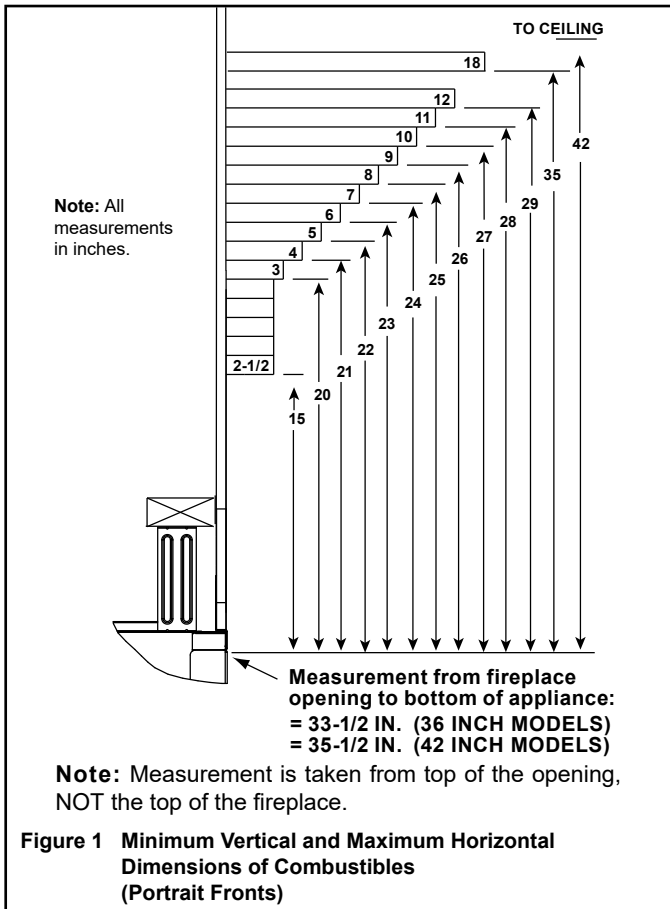
Good Faith TV Guidelines

See Figure 5 for TV Clearances.

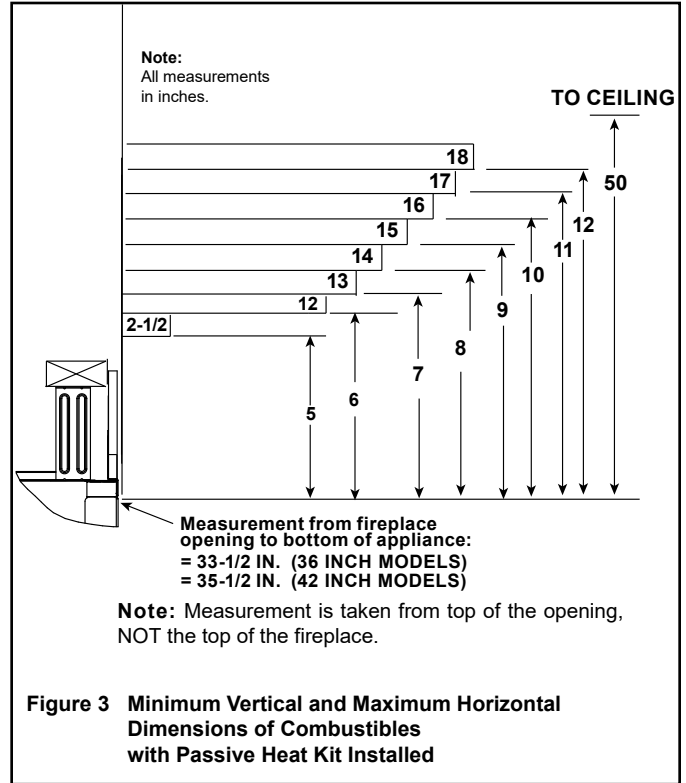
Good Faith Wall Surface Temperatures

See Figure 6 for wall surface temperatures. Note that temperatures vary based on appliance model installed and whether or not the Passive Heat Kit is installed.

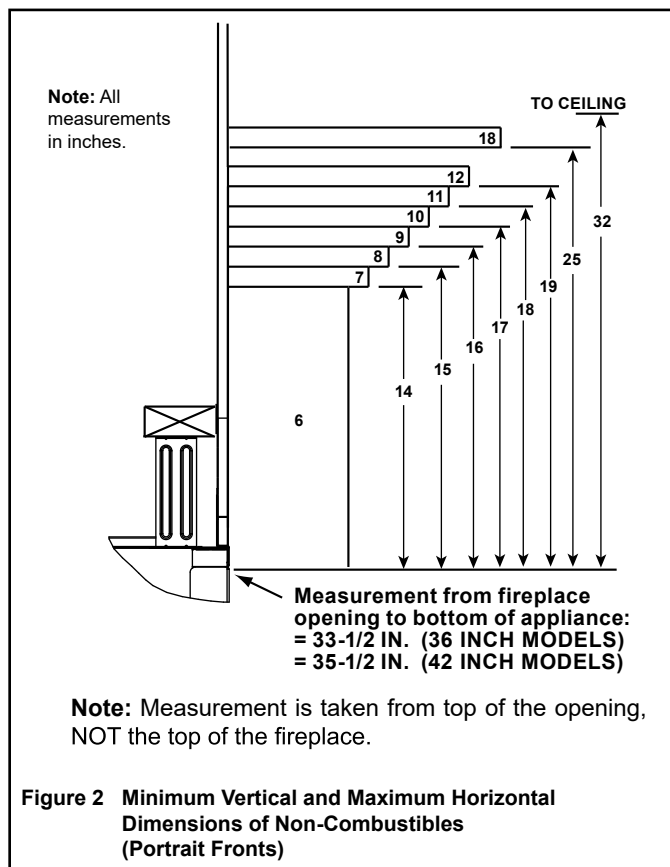
Combustible Mantels - Portrait Decorative Front



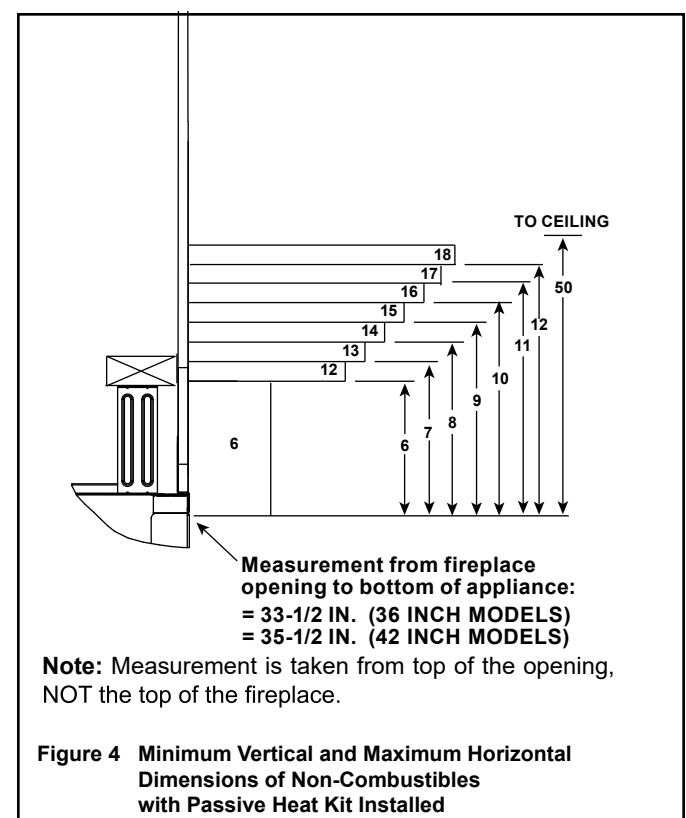
Combustible Mantels - Passive Heat Installed



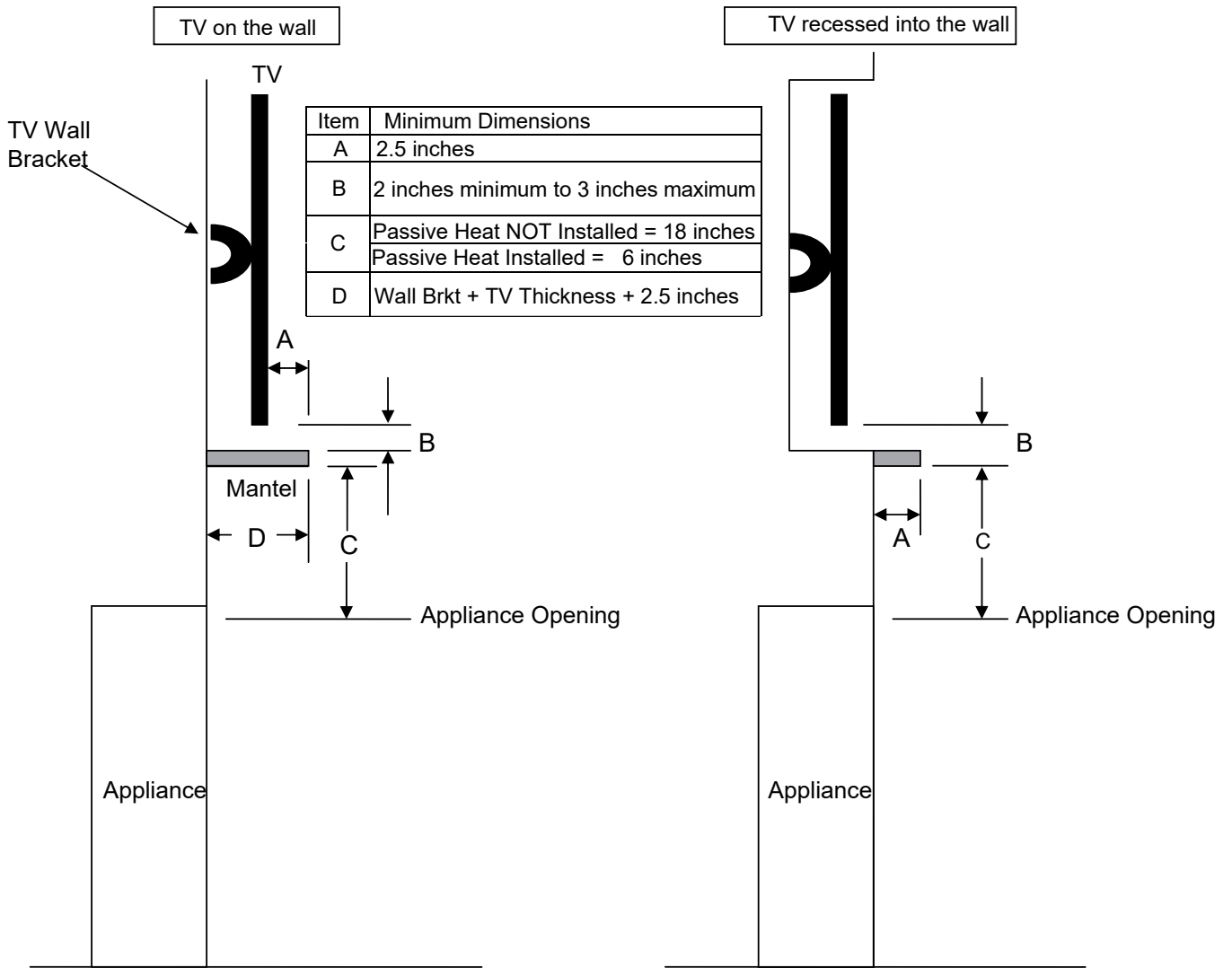
Non-Combustible Mantels - Portrait Decorative Front



Non-Combustible Mantels - Passive Heat Installed

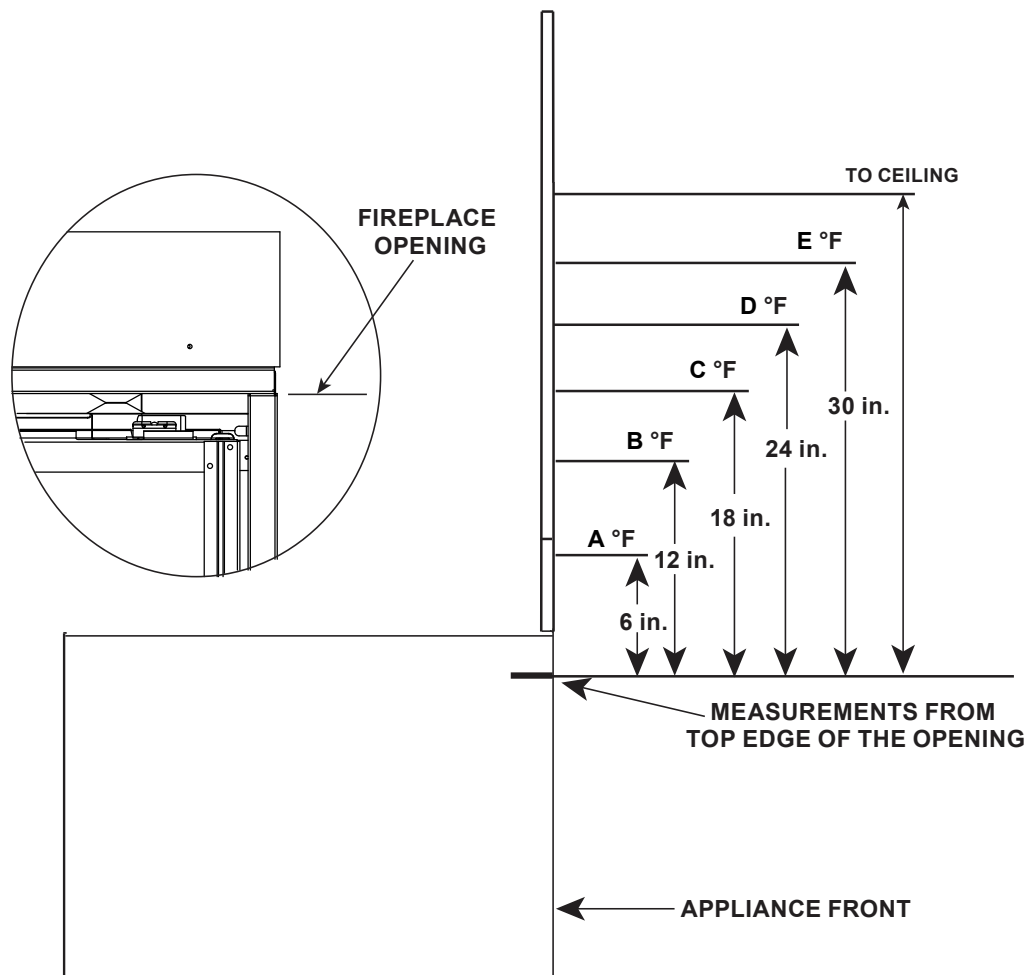


Good Faith Guidelines for TV Installations Above Appliance - Portrait Decorative Front



- Notes:
1. These are good faith recommended clearances only and not a guarantee of compliance with all TV manufacturers' maximum allowable operating temperatures.
 2. Since every home has unique air flow characteristics and maximum allowable operating temperatures can vary from manufacturer to manufacturer and from model to model, actual TV temperatures should be validated at the time of each installation. TVs should not be used in situations where the actual TV temperature exceeds the manufacturers' maximum allowable operating temperatures identified in the TV's technical specifications. Contact the TV's manufacturer directly if you cannot locate this information or have questions regarding the information.
 3. Mantel height and depth must conform to mantle requirements specified in the appliance installation manual.
 4. "C" dimension taken from the top of the hood or appliance opening.
 5. Suggestions on how to further reduce TV temperatures:
 - a. Increase "A" dimension.
 - b. Increase "C" dimension, however, increasing "B" dimension beyond maximum recommended typically results in higher temperatures.

Figure 5 Good Faith TV Guidelines - Portrait Decorative Front



TEMPERATURE	APPLIANCE MODEL			
	6KX / 8 KX	6KX / 8 KX With Passive Heat Kit Installed	6K / 8K 6KL / 8KL 6KMOD/8KMOD	6K / 8K 6KL / 8KL 6KMOD/8KMOD With Passive Heat Kit Installed
A	230	190	167	190
B	200	160	155	160
C	170	130	152	112
D	150	110	143	103
E	150	110	147	107

Figure 6 Good Faith Wall Surface Temperatures Above Appliance - PORTRAIT Decorative Front

Preparation

1. Remove contents from packaging. Refer to Table 1 for Decorative Front dimension information.

Note: These fronts have optional decorative trim kits. If an optional trim kit will be used, install it prior to installing the front on the appliance. Reference the instructions included with the trim kit and the Service Parts section of this instruction for more detail.

Decorative Front	Height	Width
PORTRAIT-6-BK	32-7/16	39-5/16
PORTRAIT-8-BK	34-7/16	46-5/16

Table 1 Decorative Front Dimensions

2. Install optional decorative trim kit, if desired, according to instructions included with the kit.

Finishing Material/Method

These decorative fronts are designed to be installed as Overlap Fit or Inside Fit.

Inside Fit Method:

When installing a decorative front using the Inside Fit method, the factory-supplied finishing strips must be installed prior to installation of the finishing material. The finishing strips ship with the appliance and are located in the control cavity underneath the firebox. The finishing strips must be removed before installing the decorative front. Finishing strips will add the proper clearances for the installation of the front.

Typically, the inside fit method is only used when non-combustible finish material greater than 1 inch is used (such as cultured stone). This finish material is installed adjacent to the decorative front sides and top. When installed, the back of the decorative front contacts the black surround on the fireplace, thus the decorative front is “inside” the adjacent finish material. Refer to the appliance Installation Manual for more detailed information.

Overlap Fit Method:

The factory-supplied finishing strips are not needed for this method of finishing. Remove the finishing strips from the control cavity of the appliance and discard.

Non-combustible finish material that is 1 inch or less (such as marble or tile) is installed up to the fireplace opening on the sides and top. When installed, the back of the decorative front contacts the face of the finish material. Refer to the appliance Installation Manual for more detailed information.

Installation

1. Verify that the finishing strips have been removed, if previously installed.
2. The decorative front is installed by engaging top and bottom hooks on the front with top and bottom tabs on the appliance. See Figure 7. Align the bottom hooks on the decorative front with the bottom tabs on the appliance. Set the bottom hooks on the tabs and tilt the front toward the appliance until it contacts the top tabs. Once the decorative front contacts the top tabs, lift up slightly and push decorative front toward appliance until hooks and tabs are engaged.

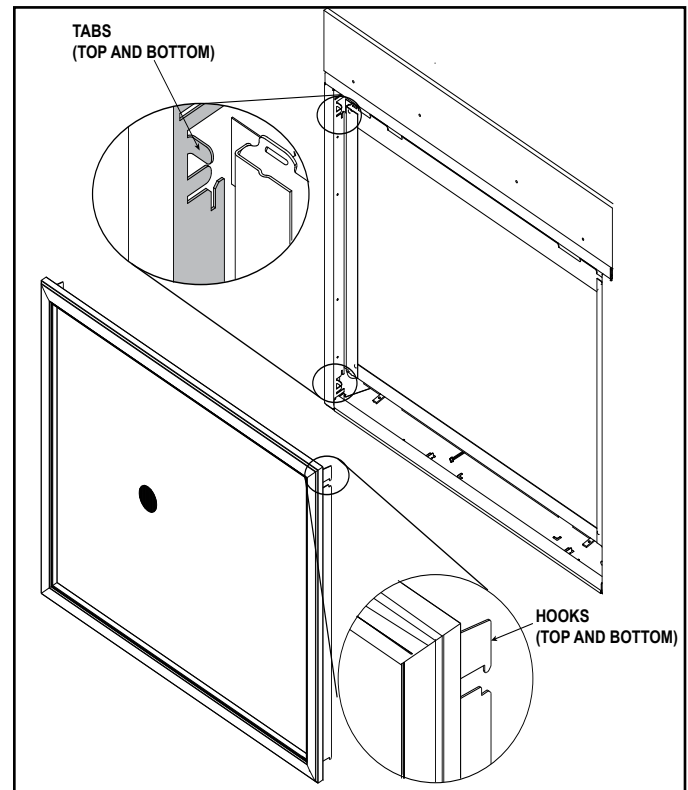


Figure 7 Hanging Tab and Hook Locations

SERVICE PARTS		
Decorative Front	Part Number	Description
PORTRAIT-6	SRV2595-031	Mesh
PORTRAIT-8	SRV2597-031	Mesh
PORTRAIT-6	PORTRIM6-BR	Trim Kit, Antique Brass
	PORTRIM6-CO	Trim Kit, Antique Copper
	PORTRIM6-NI	Trim Kit, Antique Nickel
PORTRAIT-8	PORTRIM8-BR	Trim Kit, Antique Brass
	PORTRIM8-CO	Trim Kit, Antique Copper
	PORTRIM8-NI	Trim Kit, Antique Nickel

Cleaning Instructions for Decorative fronts

Use a microfiber cloth and Windex® Original Glass Cleaner or 03M003 Stove Bright® Glass Cleaner to clean the decorative front immediately after installation to remove acids deposited by the installer or technician. Spray the cleaner onto the microfiber cloth and carefully wipe the entire surface. The decorative front should be cleaned in this manner annually by the homeowner to remove fingerprints or other contaminants. Once oxidation of the paint pigment has occurred, cleaning will not restore the original color.

Please contact your Hearth & Home Technologies dealer with any questions or concerns. For the location of your nearest Hearth & Home Technologies dealer, please visit www.hearthnhome.com.

Hearth & Home Technologies
 7571 215th Street West, Lakeville, MN 55044
www.hearthnhome.com