


PH-CERONA
Models: CERONA-IFT Series
Passive Heat Kit Installation Instructions



Leave this manual with party responsible for use and operation.

CAUTION! Risk of Cuts, Abrasions or Flying Debris.
Wear protective gloves and safety glasses during installation. Sheet metal edges are sharp.

CAUTION! Do not install damaged components.
If any parts are missing or damaged, contact your dealer before starting installation. **DO NOT** install a damaged kit.



DANGER

HOT GLASS WILL CAUSE BURNS.

DO NOT TOUCH GLASS UNTIL COOLED.

NEVER ALLOW CHILDREN TO TOUCH GLASS.

A barrier designed to reduce the risk of burns from the hot viewing glass is provided with this appliance and must be installed for the protection of children and other at-risk individuals.

Table of Contents

Introduction 1
 Preparation 1
 Kit Contents 2
 Clearances 3
 Good Faith TV Guidelines 4
 Framing Dimensions- Passive Heat Front Discharge 5
 Framing Dimensions - Passive Heat Side Discharge 6
 Framing Dimensions - Passive Heat Open Top Discharge .. 7
 Adapter Installation - Front, Side and Open Top Discharge .. 8
 Passive Heat Template - Front and Side Discharge 9
 Finishing 10
 Mantel Projections 12
 Installation of Passive Heat with Other Optional Heat Management Systems 12
 Maintenance 12

Introduction

The Passive Heat (PH-CERONA) Heat Management System conveys warm air from the fireplace into the same room through either one front discharge slot, two side discharge heat registers or an open top discharge.

Installation of the Passive Heat kit must be done in conjunction with the appliance installation. Installation of this kit **MUST** be performed by a qualified service technician.

WARNING! Risk of Fire! DO NOT install the Passive Heat (PH-CERONA) Heat Management System with models that are not approved. Overheating will occur.

Side Discharge Passive Heat systems require the use of the Register Cover Kit (PH-SIDETRIM), which must be purchased separately, to complete the installation. Contact your dealer to order the kit.

Passive Heat Trim Kits are also available for installation with the Front Discharge Passive Heat system which must be purchased separately. Contact your dealer to order the appropriate kit: PH-FRTTRIM-36 or PH-FRTTRIM-42. Follow instructions included with the trim kit to complete installation of the Passive Heat system.

The Passive Heat kit is tested and safe when installed in accordance with this installation manual. It is your responsibility to read all instructions before starting installation and to follow these instructions carefully during installation.

The Passive Heat kit is carefully engineered and must be installed only as specified. If you modify it or any of its components you will void the warranty, and you may possibly cause a fire hazard. Installation must be done according to applicable local, state, provincial, and/or national codes.

Preparation

Plan the location of the appliance.

Determine whether front, open top or side discharge is to be installed and follow instructions for the appropriate application.

CAUTION! Risk of Burns!

- *The appliance should be turned off and cooled before kit is installed.*
- *Shut off gas supply.*

Power Vent Option

If an optional power vent will be installed in conjunction with the Passive Heat Kit (PH-CERONA), Hearth & Home Technologies recommends the PVLV-SLP or PVV-SLP power vent options. If the application does not allow for the PVLV-SLP or PVV-SLP to be used, the PVI-SLP-B may be used. The PVI-SLP-B must be mounted outside the chase due to the higher noise level created.

Kit Contents

Remove and verify contents from packaging before beginning installation. See Figure 1.

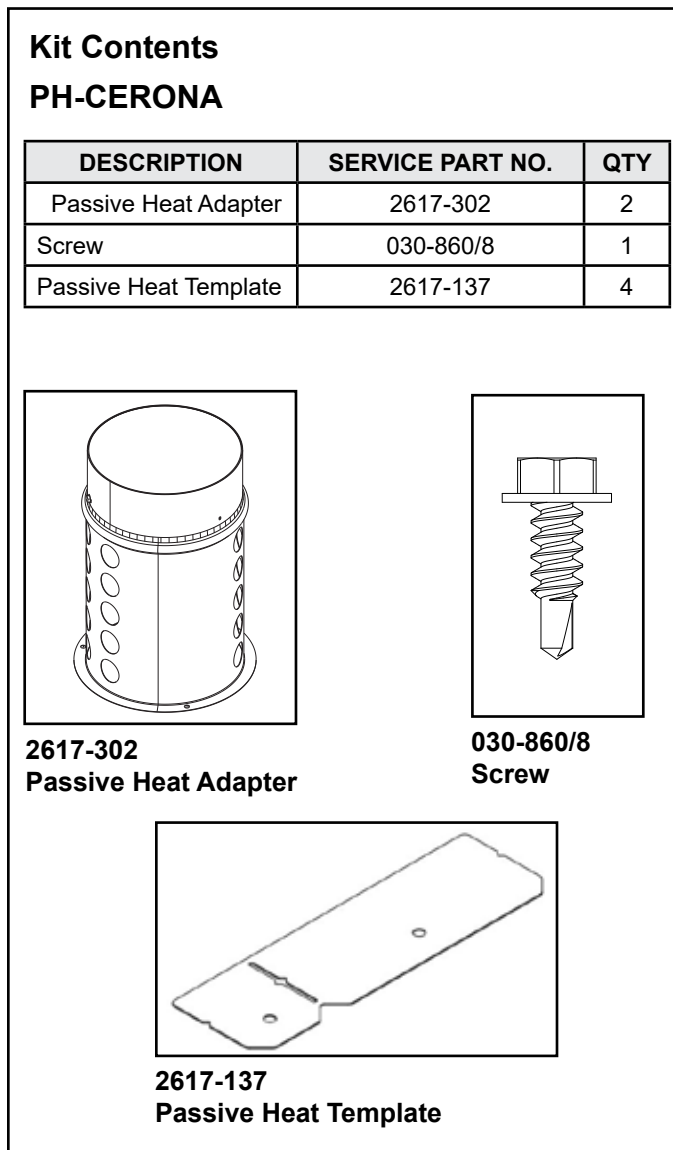


Figure 1 Passive Heat Kit Components

Clearances

WARNING! Risk of Fire! Maintain clearances to combustibles as specified.

Ensure all clearances are maintained.

- Maintain minimum distance from top of appliance opening to the room ceiling. Refer to the figures in the Framing section of this instruction.
- An open space, or “cavity,” is allowed up to three inches above the top of the passive heat discharge opening. A chase ceiling is required when the open space “cavity” exceeds three inches above the discharge opening. Construct the false ceiling from material such as metal, drywall or plywood.

Clearance - Sprinkler to Passive Heat

Figure 2 references the clearances that must be adhered to when installing a sprinkler head near a passive heat discharge opening.

- * If the distance from the top of the passive heat front discharge opening to the ceiling is 36 inch or greater, then there is no 36 inch clearance requirement. This is for a ceiling sprinkler head installation only.

Note: When installing a sprinkler head near a heat discharge opening, it is recommended to use a sprinkler head with an Extra High sprinkler activation temperature rating.

- When installing a sprinkler head exterior of the chase, maintain the following clearances to discharge openings (convection slots, passive heat registers, heat zone registers, etc.): 36 inch top, 18 inch sides and 6 inch bottom.
- **DO NOT** install a sprinkler head inside a chase that is set up for passive heat.

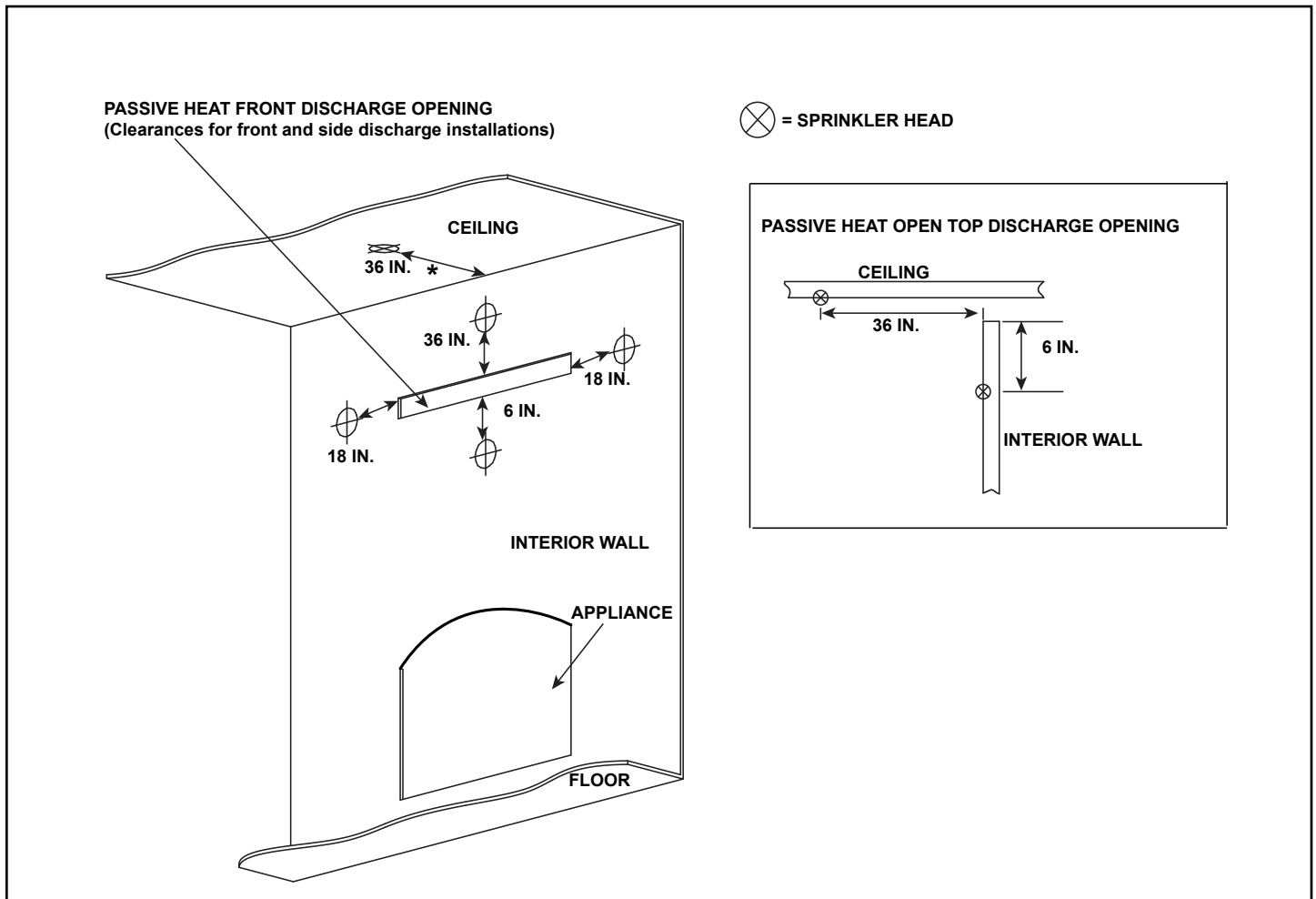


Figure 2 Sprinkler Head Clearance

Good Faith TV Guidelines

Good Faith Guidelines for TV Installations Above a Appliance with Passive Heat Option

This diagram specific to these models: CERONA-36-IFT , CERONA-42-IFT

WARNING! Risk of Fire! Mesh screen required on bottom of discharge opening when discharge opening is greater than 3 in. Secure mesh to top of framing.

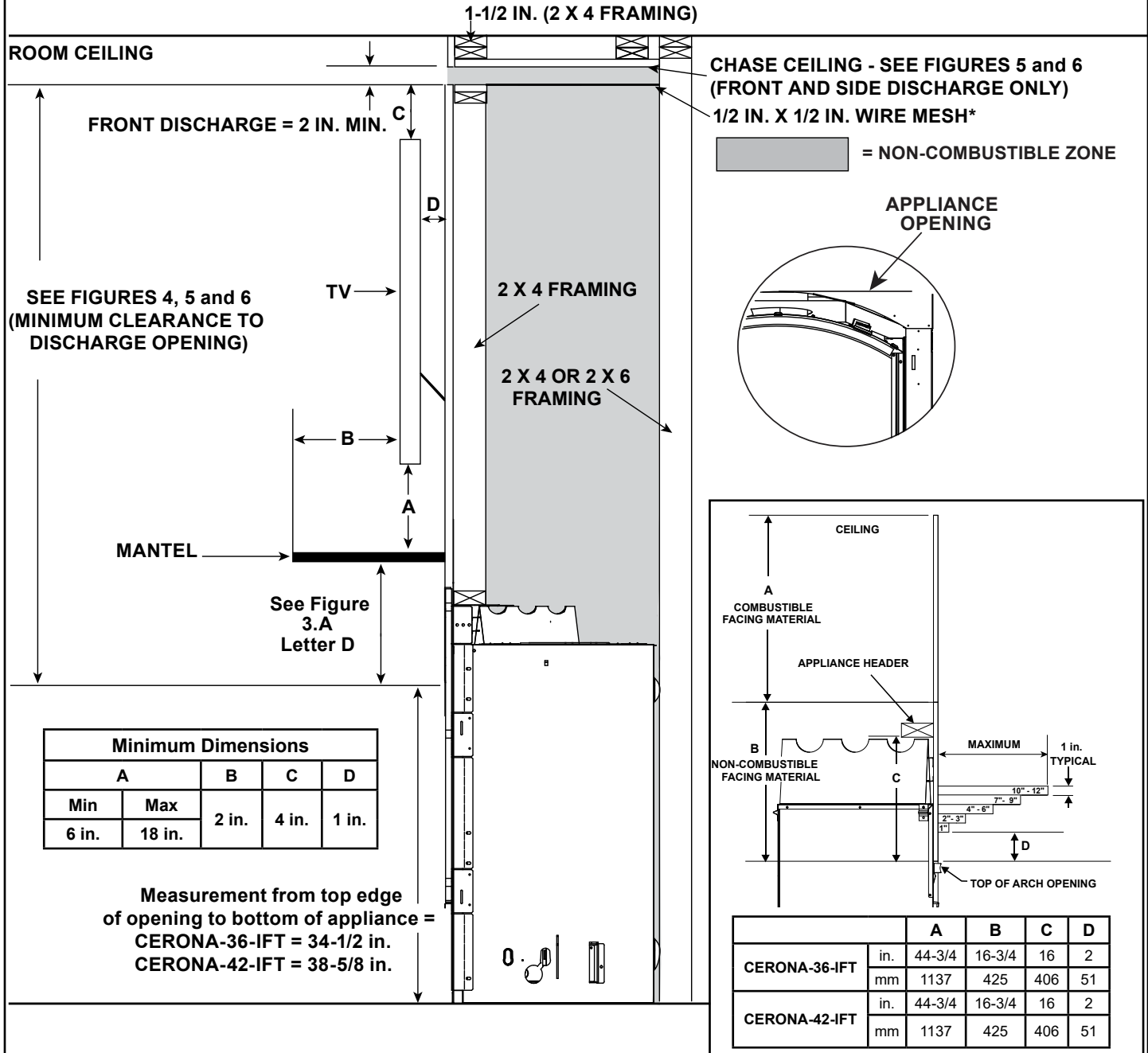


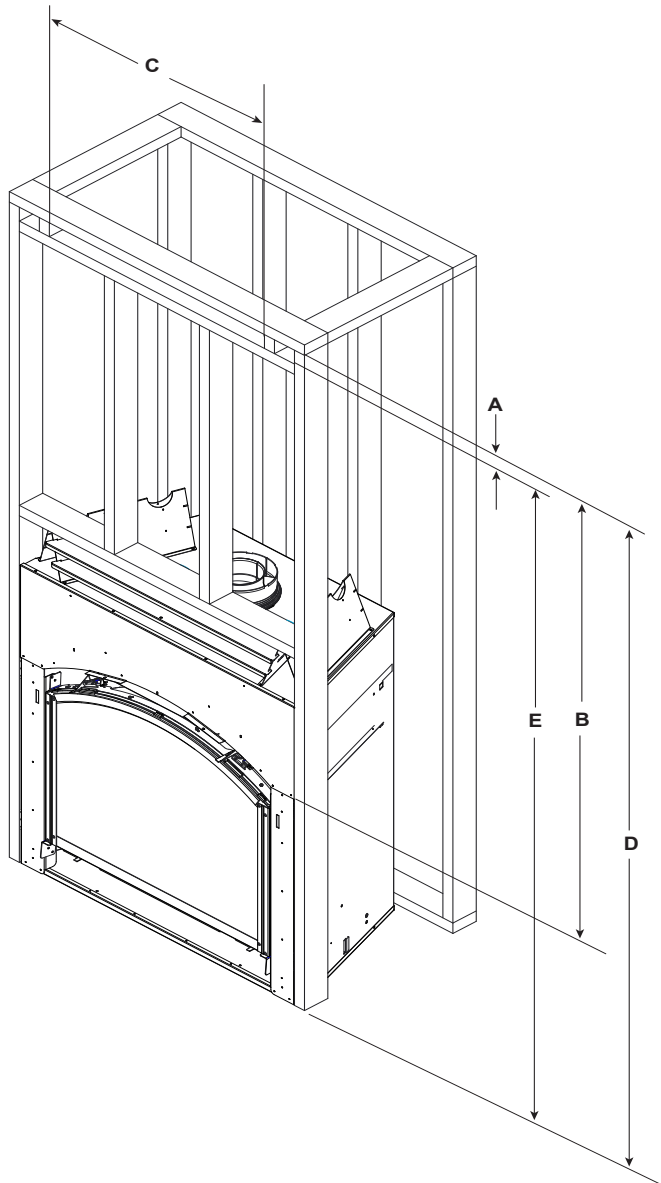
Figure 3.A Clearances to mantels or other combustibles above appliance with Passive Heat installed

* Wire mesh required for front discharge or open top discharge passive heat installations with discharge opening of 3 in. or greater.

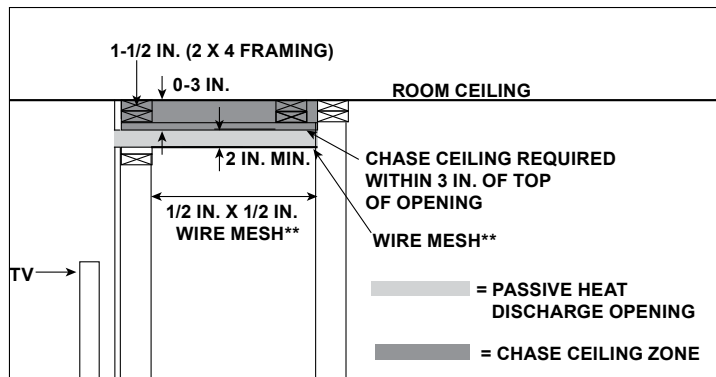
NOTE: The TV installation requirements are the same regardless of whether the Passive Heat kit is installed with a top discharge, side discharge or open top discharge.

Framing Dimensions- Passive Heat Front Discharge

Front Discharge: Air conveyed into the room through one front discharge slot.



CHASE DETAIL



WARNING! Risk of Fire! Wire mesh required on bottom of discharge opening (Dimension A) when finished discharge opening is greater than 3 inch. Secure mesh to top of framing.

FRONT DISCHARGE MINIMUM FRAMING DIMENSIONS

		A		B	C	D	E
		TRIM KIT* INSTALLED (PH-FRTTRIM)	NO TRIM KIT**				
		Required Height of Discharge Opening	Height of Discharge Opening				
		Clearance to Top of Discharge Opening	Width of Discharge Opening	Clearance to Top of Discharge Opening From Bottom of Appliance	Clearance to Bottom of Discharge Opening from Bottom of Appliance		
CERONA-36-IFT	Inches	3-1/2	2	48	36-1/2	82-1/2	80-1/2
	millimeters	89	51	1219	927	2096	2045
CERONA-42-IFT	Inches	3-1/2	2	48	42-3/8	86-5/8	84-5/8
	millimeters	89	51	1219	1076	2200	2150

* Measurement for Trim Kit = 3-1/2 inch + Additional Finishing Material Thickness

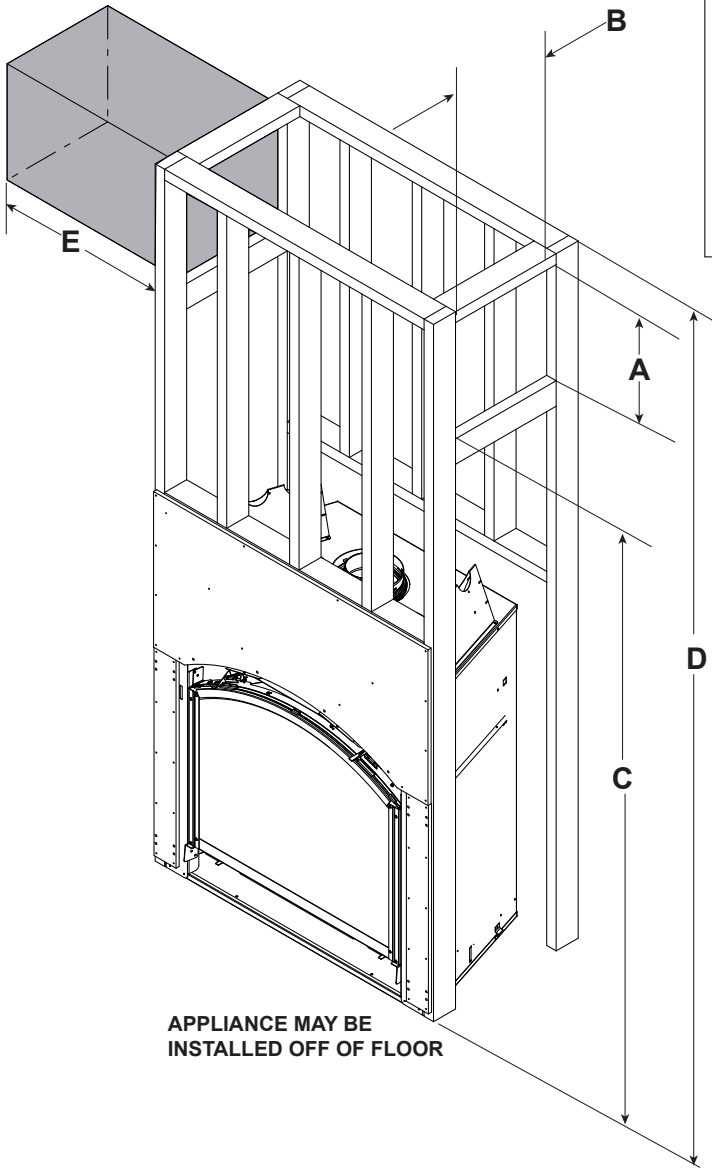
** Measurement without Trim Kit = 2 inch + Additional Finishing Material Thickness. If finished discharge opening height is greater than 3 inch, wire mesh is required.

Figure 4 Passive Heat Front Discharge Framing Dimensions With and Without a Trim Kit

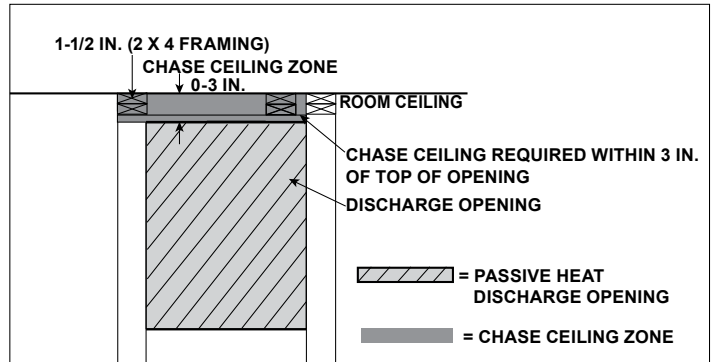
Framing Dimensions - Passive Heat Side Discharge

Side Discharge: Air conveyed into the room through two discharge registers, one on each side of appliance.

WARNING! Risk of Fire! DO NOT place combustible objects or combustible materials in non-combustible zone. Appliance and combustible materials will overheat.



CHASE DETAIL



SIDE DISCHARGE FRAMING DIMENSIONS

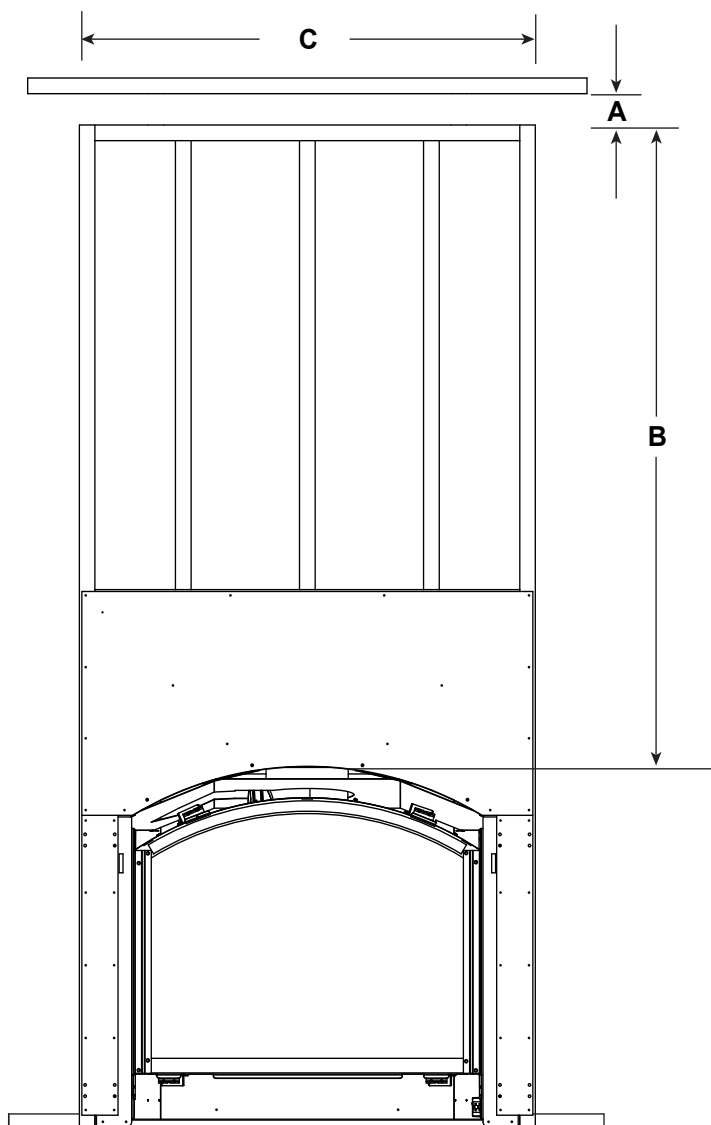
		A	B	C	D	E
		Height of Discharge Opening	Width of Discharge Opening	Minimum Clearance to Discharge Opening From Bottom of Appliance	Minimum Clearance to Ceiling from Bottom of Appliance	Minimum Clearance to Combustible Materials
CERONA-36-IFT	Inches	12-1/4	8-3/4	70-1/4	84	18
	millimeters	311	222	1784	2134	457
CERONA-42-IFT	Inches	12-1/4	8-3/4	74-3/8	88-1/8	18
	millimeters	311	222	1889	2238	457

Figure 5 Passive Heat Side Discharge Framing Dimensions

Framing Dimensions - Passive Heat Open Top Discharge

Open Top Discharge: Both sides and the top are open allowing air to be conveyed into the room.

WARNING! Risk of Fire! Mesh screen required on bottom of discharge opening when discharge opening is greater than 3 inch. Secure mesh to top of framing.



OPEN TOP DISCHARGE MINIMUM FRAMING DIMENSIONS				
		A*	B	C
		Height of Discharge Opening	Clearance to Discharge Opening	Width of Discharge Opening
CERONA-36-IFT	Inches	2	48	45-1/8
	millimeters	51	1219	1146
CERONA-42-IFT	Inches	2	48	52-1/8
	millimeters	51	1219	1324

* Mesh screen required for front discharge or open top discharge passive heat installations with discharge opening of 3 inch or greater.

Figure 6 Passive Heat Minimum Framing Dimensions Open Top Discharge

Adapter Installation - Front, Side and Open Top Discharge

CAUTION! Risk of Cuts, Abrasions or Flying Debris. Wear protective gloves and safety glasses during installation. Sheet metal edges are sharp.

1. Remove both top knockouts from outer wrap as shown in Figure 7. Discard knockout piece and ensure no other material or debris is blocking the hole created by removing the knockout.
2. Remove both insulation plugs from insulation blanket visible through top knockout openings. Discard insulation plugs and ensure no other material or debris is blocking the hole created when removing insulation plug.
3. Center adapter over opening with the solid portion facing the front of the appliance. Attach both adapters to appliance by installing three screws per adapter. See Figure 8.

Note: If installing an additional Heat Management System, refer to the instructions included with the kit for further installation instructions.

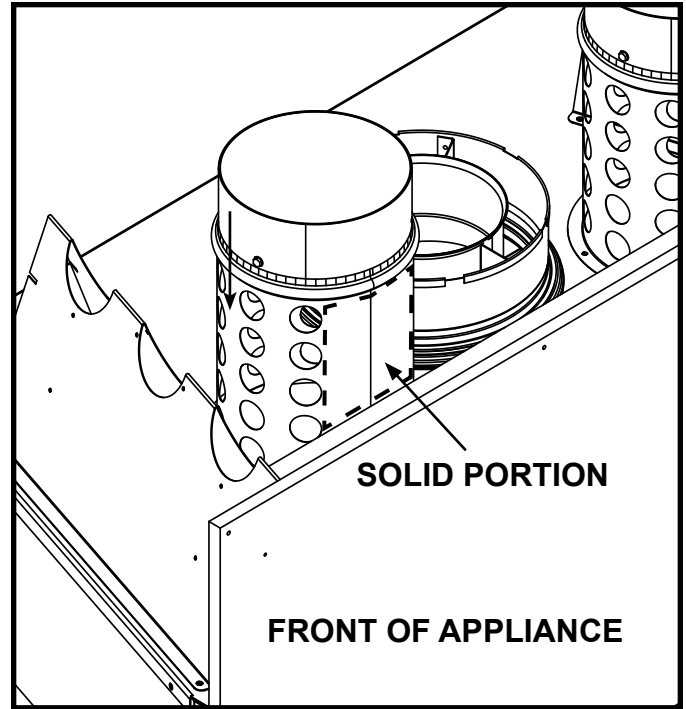


Figure 8 Attach Adapters

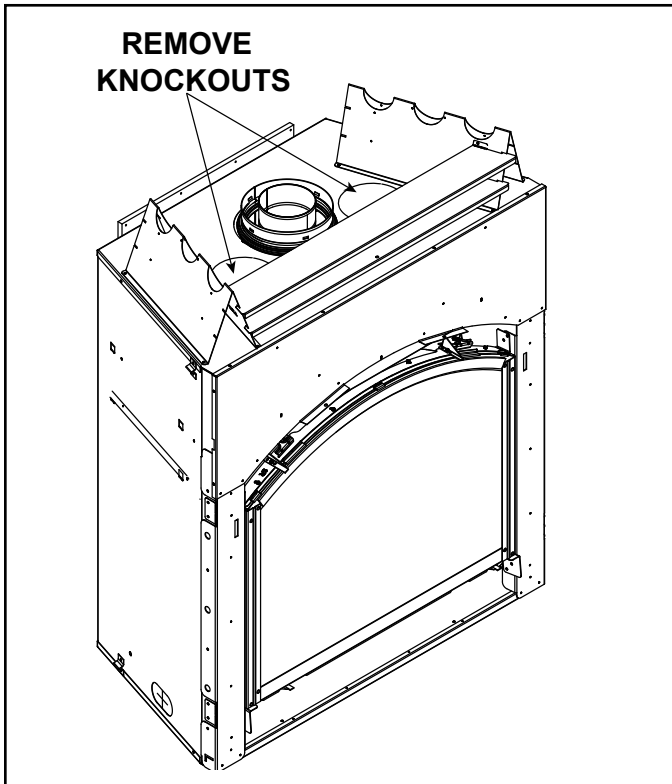


Figure 7 Remove Knockouts

Passive Heat Template - Front and Side Discharge

Install the passive heat templates to prevent finishing material from being installed over passive heat discharge openings. Use two templates for front discharge and four templates for side discharge.

1. Hand bend templates as shown in Figure 9.
2. Place one template into the top left corner of the discharge opening as shown in Figure 10. Align the outside edge of the framing with the notch in the template as shown in Figure 11. Attach to framing using wood screws.
3. Place the second template into the bottom right corner and attach using the same method as in Step 2. If installing templates on framing for a side discharge kit, repeat the process for the additional two templates on the other side discharge opening.
4. Once the wall finishing material has been installed, remove the templates and discard. After the templates have been removed, the trim kit, register, or other finishing options may be installed.

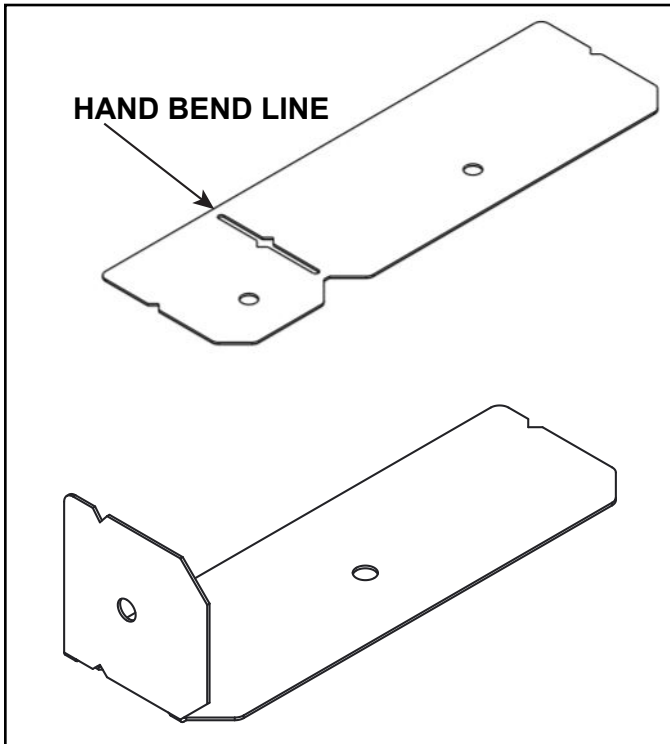


Figure 9 Hand Bending the Template

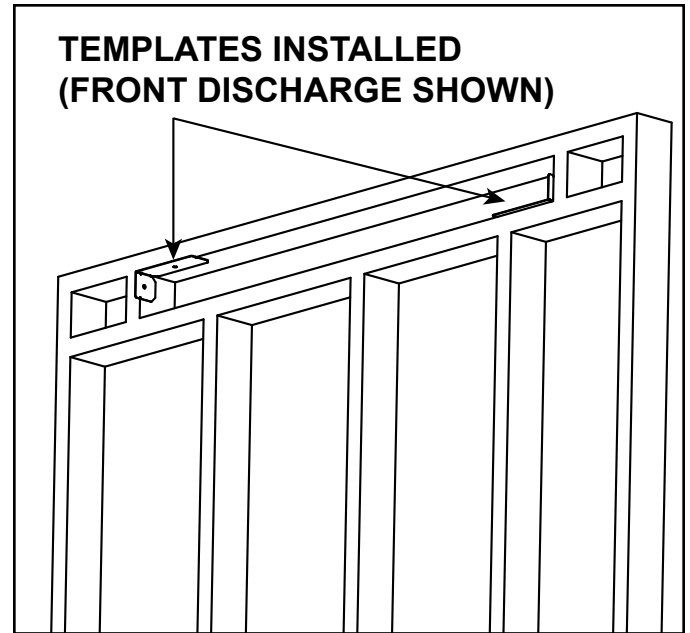


Figure 10 Template Installation

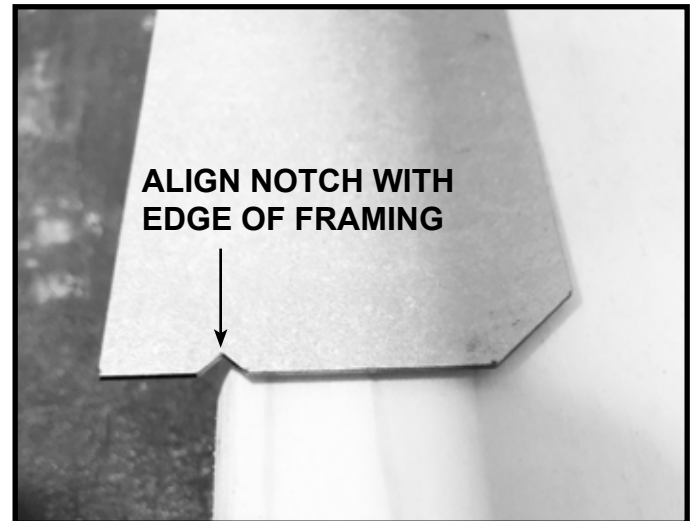


Figure 11 Template Notch Alignment

Finishing

1. Apply wall sheathing material, such as drywall up to 1/2 in. (13mm) thick up to the edge of the discharge opening.

WARNING! Risk of Overheating! DO NOT apply wall sheathing past the edge of discharge opening or finishing templates. Remove finishing templates before appliance operation. Overheating of appliance and combustible materials will occur.

2. Facing Material with Front Trim Kit (PH-FRTRIM)

1 Inch Thick or Less: When using Non-Combustible facing material in this thickness range, the Overlap Fit method may be used. Place facing materials up to the edge of the discharge opening and install trim kit as instructed. Facing must not interfere with the air flow through the trim kit.

Greater than 1 Inch: Non-Combustible facing material in this thickness range must use the Inside Fit method. Place facing materials up to 1/2 in. (13mm) away from the edge of the trim kit to allow for proper removal of the vent cover. Install trim kit as instructed. Consult the appliance Installation Manual to determine maximum facing material thickness.

3. Facing Material with Side Discharge (PH-SIDETRIM)

1 Inch Thick or Less: When using Non-Combustible facing material in this thickness range, the Overlap Fit method may be used. Place facing materials up to the edge of the discharge opening and install register covers as instructed. Facing must not interfere with the air flow through the trim kit.

Greater than 1 Inch: Non-Combustible facing material in this thickness range must use the Inside Fit method. Place facing materials up to the edge of the register covers. Install register covers as instructed. Consult the units Installation Manual to determine maximum facing material thickness.

4. Install trim kit (PH-FRTRIM or PH-SIDETRIM) as instructed.

Side Discharge: The PH-SIDETRIM kit is required to complete installation.

Front Discharge: The PH-FRTRIM kit is an optional finishing method. Other standard finishing methods may be used as well.

Painting

The location of the Passive Heat discharge opening could allow for venting and other construction materials to be visible. It is recommended to paint the vent pipe, firestop, and other visible construction materials, as shown in Figure 12, using a high temperature paint with a minimum of 300 °F continuous exposure rating. Hearth & Home Technologies recommends using black touch up paint (part number TUP-GBK-12) available from your Hearth & Home Technologies dealer.

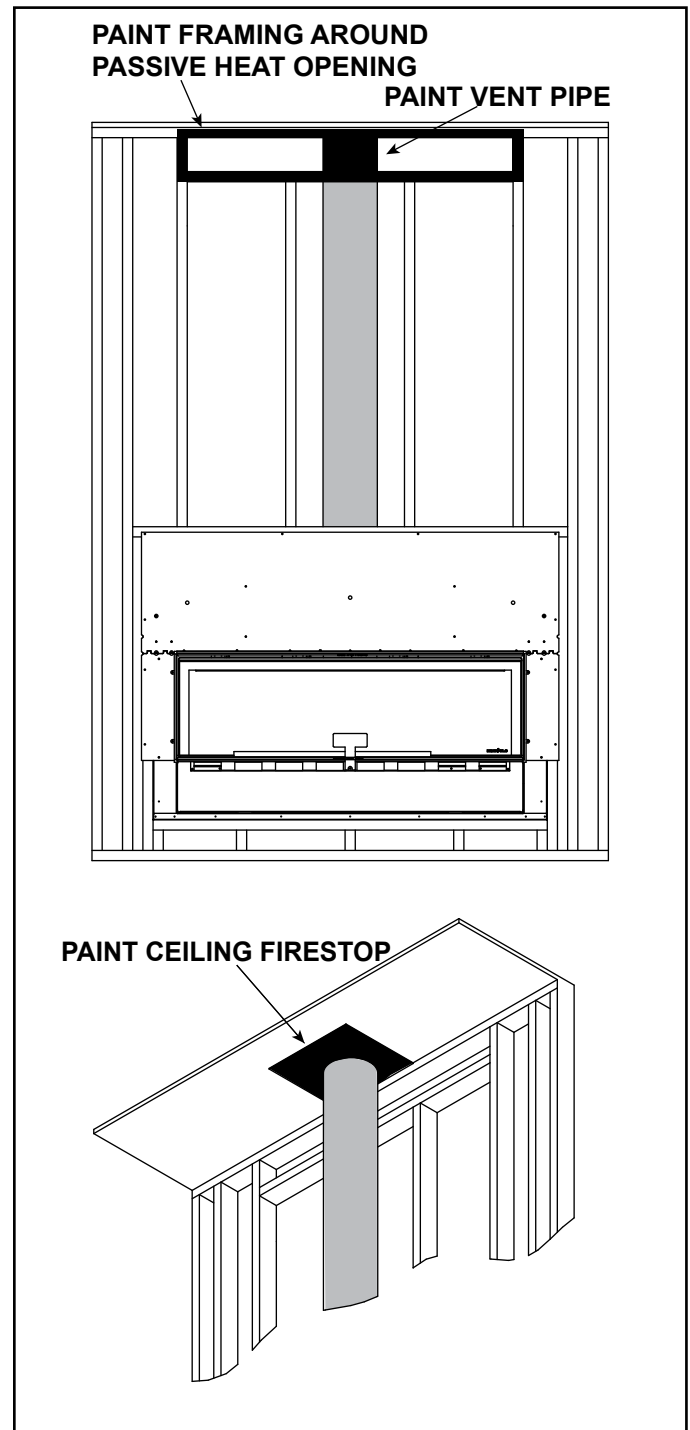


Figure 12 Painting Visible Components

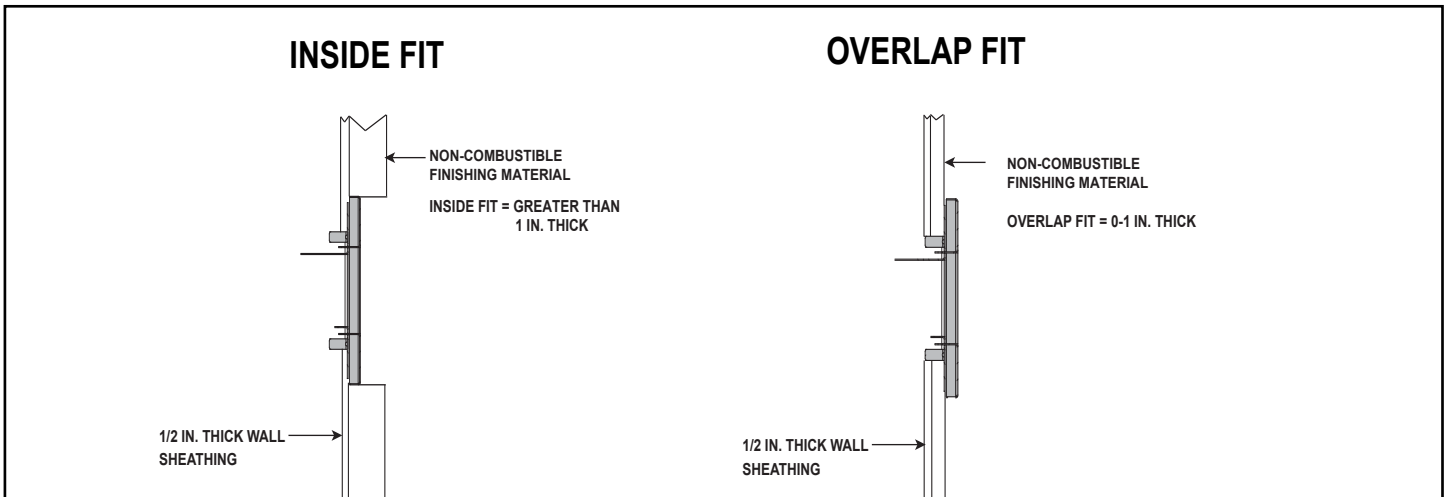


Figure 13 Finishing Material Installed

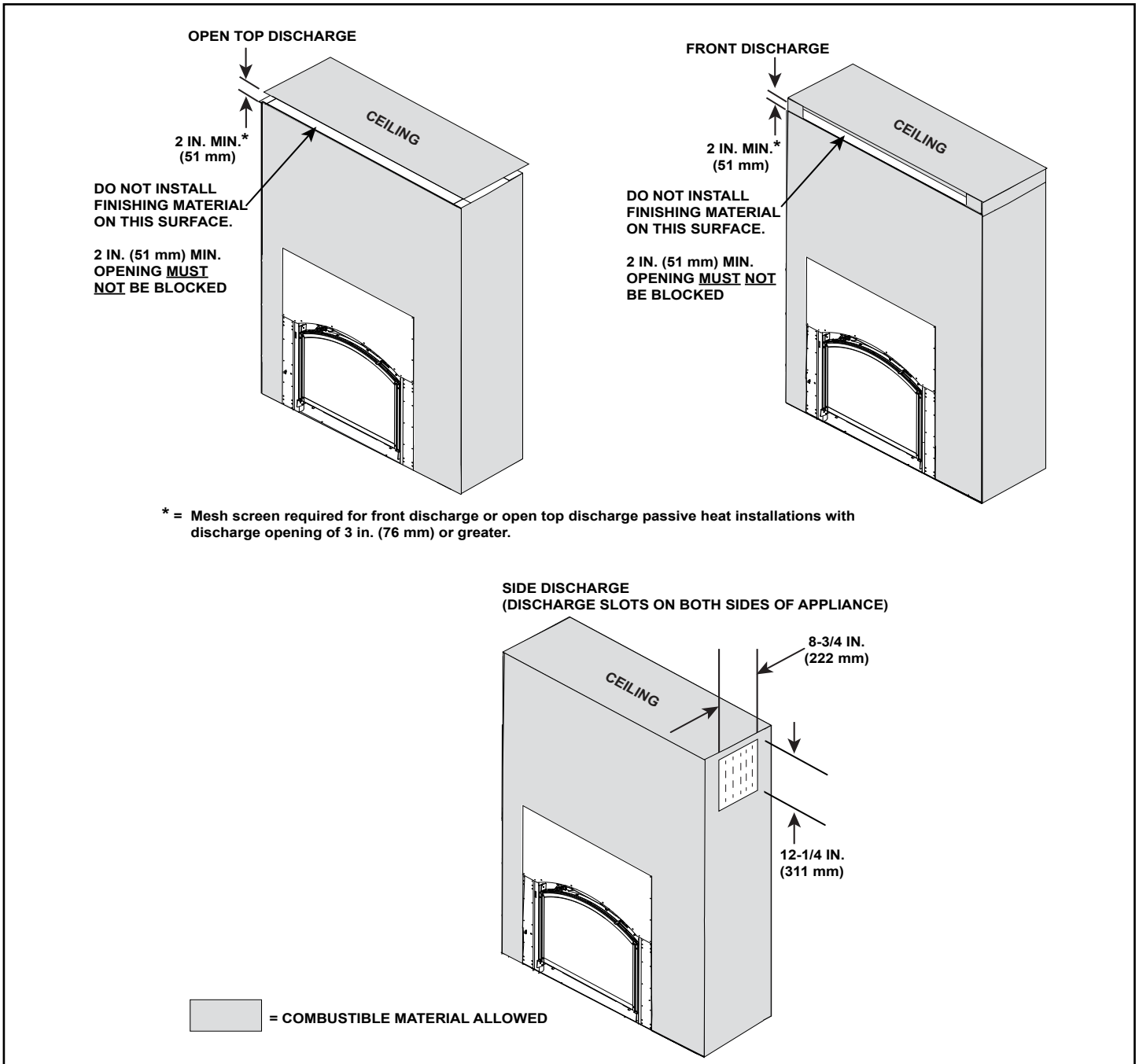


Figure 14 Finishing Material Installed

Mantel Projections

If installing a television (TV) above the appliance, see Section 3 of the appliance Owner's Manual.

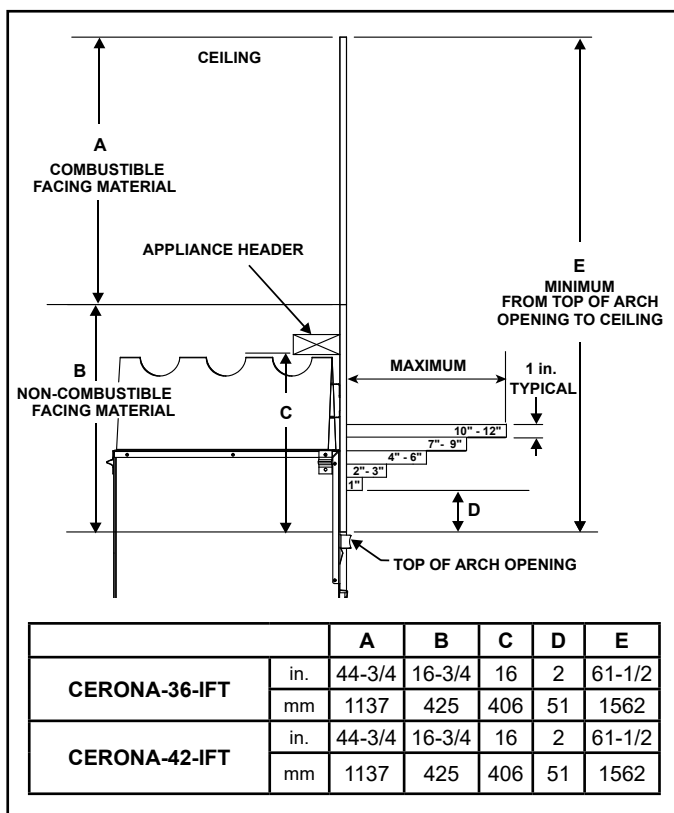


Figure 15 Clearances to mantels or other combustibles above appliance with Passive Heat installed

Installation of Passive Heat with Other Optional Heat Management Systems

There are other heat management options available for use with the CERONA-IFT models. Consult the appliance manual for compatible options.

NOTICE: Cap must be removed from adapter prior to attaching venting for the heat management kit. Heat-Zone®-Gas and Heat-Out-Gas system will not function properly if cap remains attached.

Passive Heat Kit Installed with Optional Heat-Zone-Gas

- Only one Heat-Zone-Gas kit may be installed and used in conjunction with the Passive Heat Heat Management System.

WARNING! Risk of Overheating! Be sure the venting does not extend past the rib on Passive Heat adapter. If venting or insulation is blocking holes in the Passive Heat adapter overheating of chase could occur.

- Remove cap from the Passive Heat adapter and discard the cap. The venting for the Heat-Zone-Gas kit will attach directly on top of the Passive heat adapter. See Figure 16.
- Refer to the instructions included with the Heat-Zone-Gas kit for more information.

Passive Heat Kit Installed with Optional Heat-Out-Gas

- One Heat-Out-Gas kit may be installed and used in conjunction with the Passive Heat Heat Management System.

WARNING! Risk of Overheating! Be sure the venting does not extend past the rib on Passive Heat adapter. If venting or insulation is blocking holes in the Passive Heat adapter overheating of chase could occur.

- Remove cap from the Passive Heat adapter and discard the cap. The venting for the Heat-Out-Gas kit will attach directly on top of the Passive heat adapter. See Figure 16.
- Refer to the instructions included with the HEAT-OUT-GAS kit for more information.

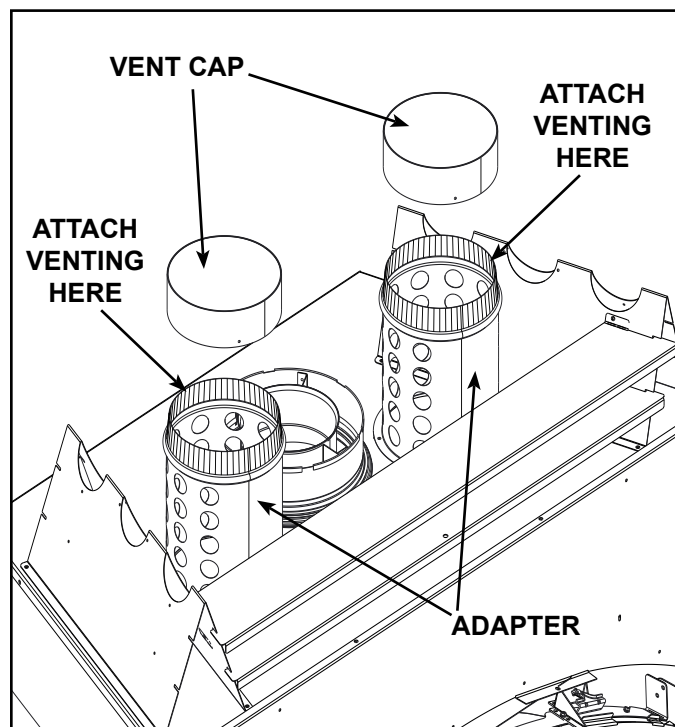


Figure 16 Adapter Prepared for Venting to be Attached

Maintenance

Service and maintain the gas appliance per instructions. Keep the air register(s) clean and free of any blockage.

Please contact your Hearth & Home Technologies dealer with any questions or concerns.

For the location of your nearest Hearth & Home Technologies dealer, please visit www.hearthnhome.com.

Hearth & Home Technologies
7571 215th Street West, Lakeville, MN 55044
www.hearthnhome.com