

BATTERY BACKUP / RESET SWITCH RELOCATION KIT

MI-USBC-RELO

Gas Insert Models: RUBY25I / 30I / 35I, SUPREME-I25 / -I30 / -I35-IFT, SUPREME-I25 / -I30 / -I35-BIR
TRILLIANT 25I / 30I / 35I, COSMO-I25 / -I30 / -I35-IFT

Installation Instructions



Leave this manual with party responsible for use and operation.

CAUTION! Risk of Cuts, Abrasions or Flying Debris. Wear protective gloves and safety glasses during installation. Sheet metal edges are sharp.

CAUTION! Do not install damaged components.

WARNING! Risk of Fire! Combustible materials MUST NOT overlap or be placed under a surround.

WARNING! Risk of Fire! DO NOT apply combustible materials beyond the minimum clearances. Comply with all minimum clearances to combustibles as specified. Overlapping materials could ignite and will interfere with proper operation of decorative fronts.

Introduction

This kit is used to move the USB-C plug and reset switch from the side of the surround to a location underneath the firebox. Installation of this kit must be performed by a Qualified Service Technician.

Tools

- Drill with 1/4 inch hex driver
- Pliers

Contents:

- (1) Reset Switch Mounting Bracket (2532-299)
- (1) USB-C Plug Mounting Bracket (2532-301)
- (1) Self-Drilling Screw

Verify and remove contents from packaging before beginning installation.

Preparation

CAUTION! Risk of Burns!

- The fireplace should be turned off and cooled before kit is installed.
- Shut off gas supply.

Installation Instructions

1. Remove vanity panel, decorative front and firebox glass assembly if previously installed.
2. Remove reset switch from side of surround.
3. Insert the reset switch into the reset switch mounting bracket until it locks into place.
4. Use the self-drilling screw to attach the reset switch bracket to the center standoff. The bracket should sit flat on the base of the appliance. Center the hole in the bracket on the center of the standoff. See Figure 1.

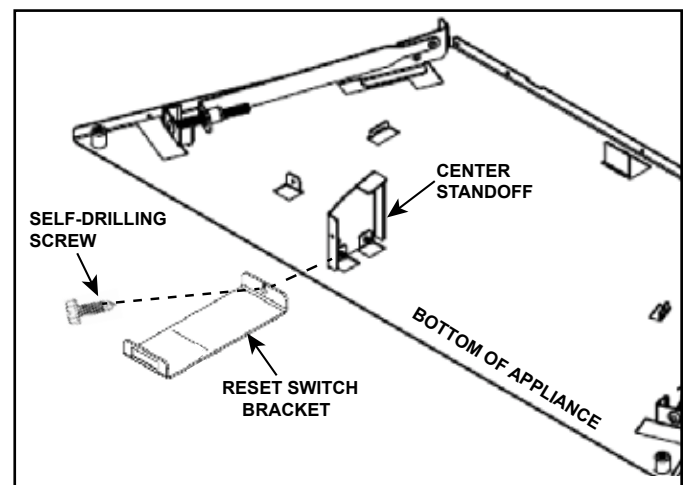


Figure 1 Reset Switch Bracket Location

5. Disconnect the 40 inch wire harness from the "BATT (+)" and "BATT (-)" wires coming out of the ECM. Remove the 40 inch wire harness from the unit and discard.
6. Slide the component tray and component heat shield out from underneath the firebox. Remove component heat shield. See Figure 2.

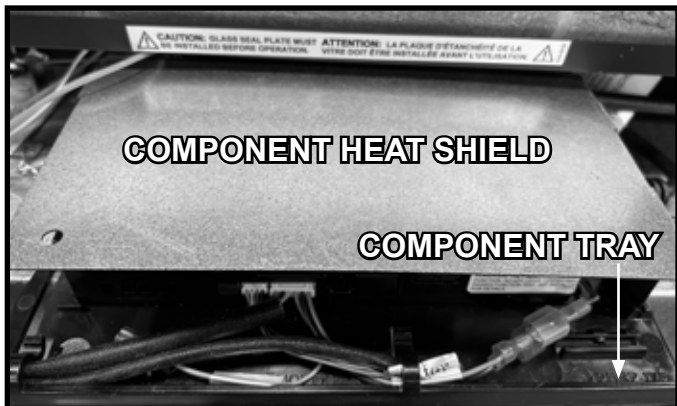


Figure 2 Component Tray and Component Heat Shield

7. Remove USB-C bracket from kit manual bag and bend it as shown in Figure 3.
8. Remove the USB-C plug from the surround and insert it into the USB-C bracket. Attach the USB-C bracket to the component tray by placing it in the slot as noted in Figure 4.
9. Connect the USB-C wire to the “BATT (+)” and “BATT (-)” wires on the ECM.

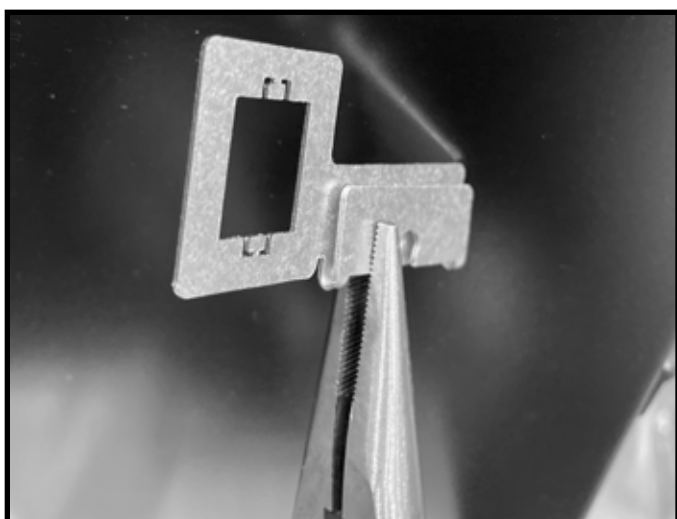


Figure 3 Bend USB-C Bracket

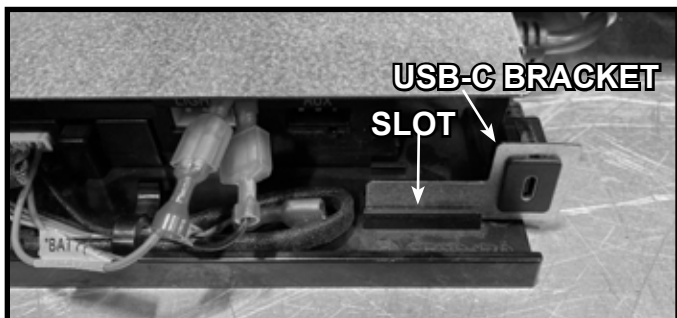


Figure 4

10. Locate the reset switch wire on the outer wrap on the right side of the appliance and feed it through the grommet into the appliance. Move only enough wire back through to reach the rocker switch location. Attach to the rocker switch. Leave the excess wire outside of the appliance. See Figure 5.

11. Reinstall the component heat shield on the component tray and slide the complete assembly back into position underneath the firebox as shown in Figure 6.

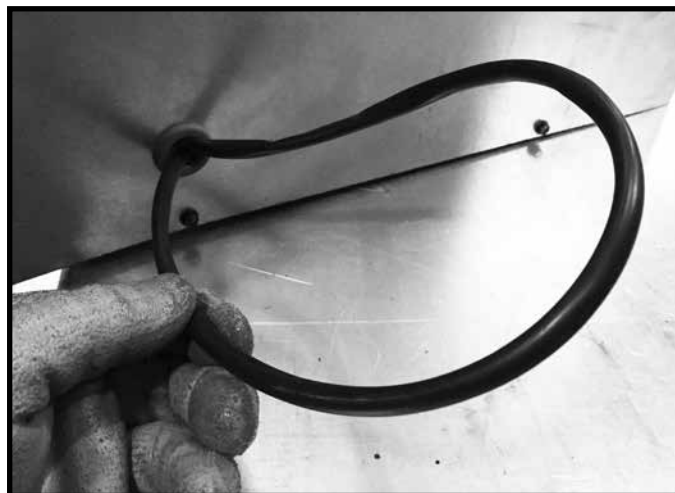


Figure 5 Feed Reset Switch Wire Through Grommet

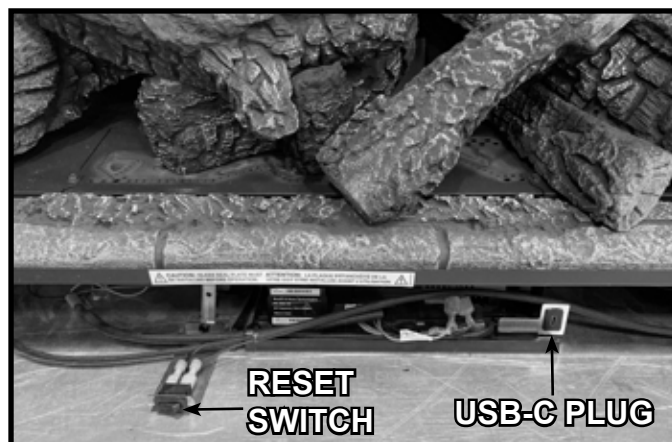


Figure 6 Location of Component Tray Underneath Firebox

12. Reinstall firebox glass assembly, decorative front and vanity panel, if previously installed.

NOTICE: DO NOT store battery backup pack or batteries under the appliance. If using the battery backup system, the pack and batteries should be left in front of the appliance. See Figure 7. DO NOT leave battery pack plugged into appliance when appliance is connected to main power.

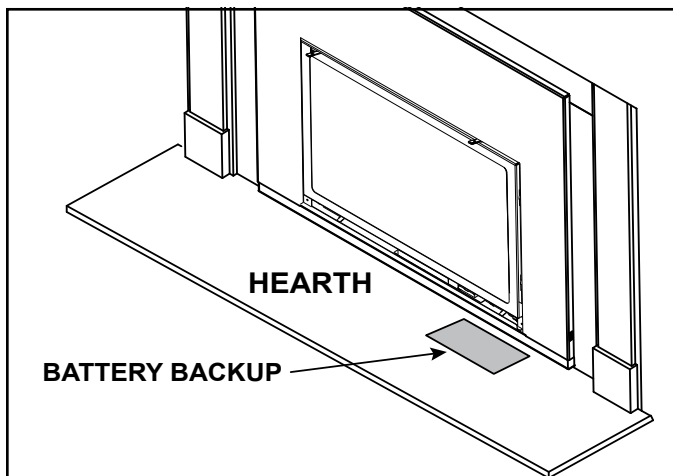


Figure 7

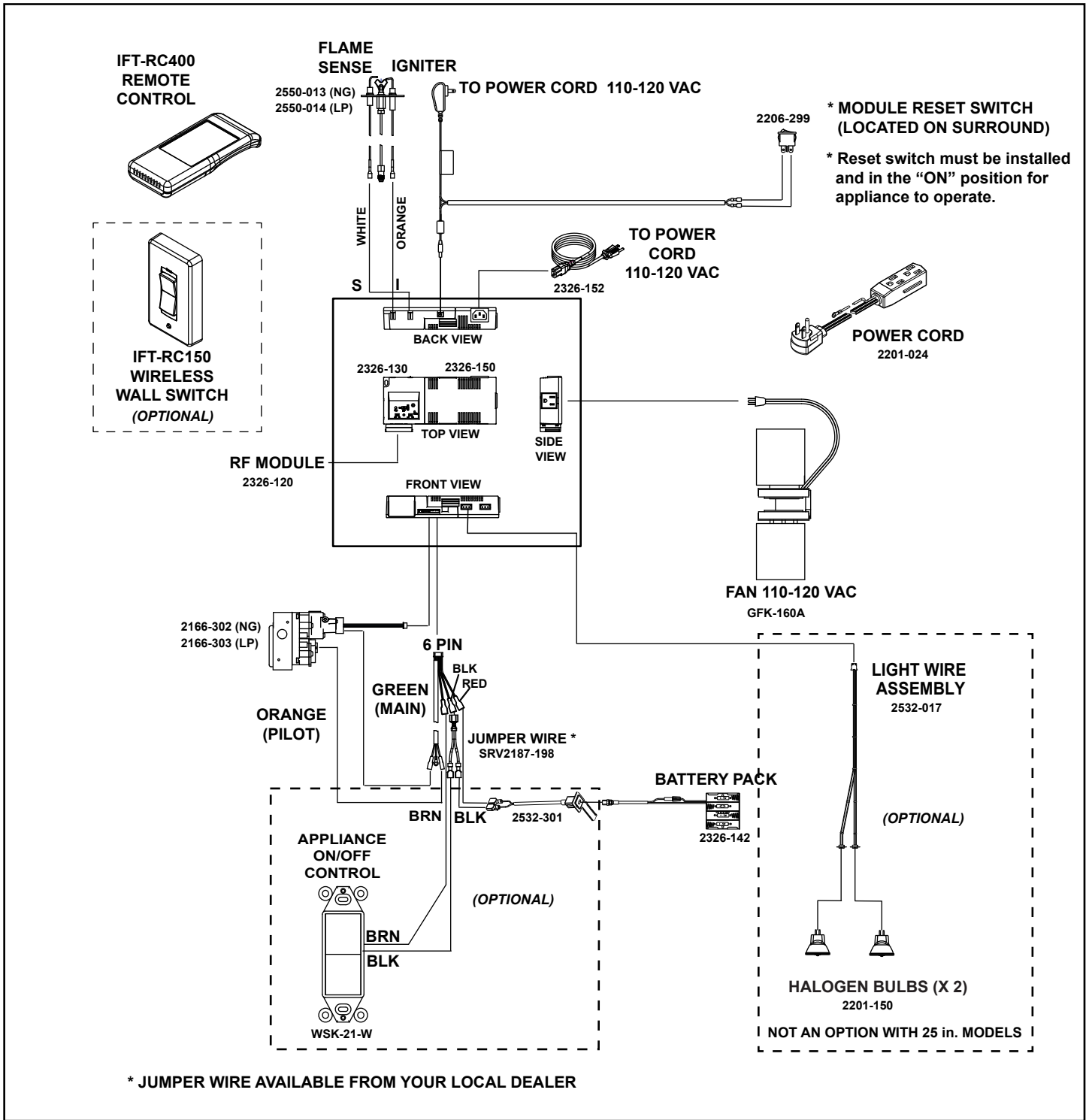


Figure 8

Please contact your Hearth & Home Technologies dealer with any questions or concerns.
 For the location of your nearest Hearth & Home Technologies dealer, please visit www.hearthnhome.com.

Hearth & Home Technologies
 7571 215th Street West, Lakeville, MN 55044
www.hearthnhome.com