

GLASS-32LINEAR, GLASS-36LINEAR, GLASS-42LINEAR

Models: COSMO32-IFT, COSMO42-IFT, RAVE3012-IFT, RAVE4013-IFT, JADE32IN, JADE42IN, JADE42IL, COSMO32-IFT-B, COSMO36-IFT-B, COSMO42-IFT-B, RAVE32-IFT-B, RAVE36-IFT-B, RAVE42-IFT-B, JADE32IN-B, JADE42IN-B, JADE42IL-B, DVLINEAR36, SLR-X-AU, B41L-AU

Installation Instructions



Leave this manual with party responsible for use and operation.

CAUTION! Risk of Cuts or Abrasions. Wear protective gloves and safety glasses during installation. Sheet metal edges are sharp.

DANGER



HOT GLASS WILL CAUSE BURNS.

DO NOT TOUCH GLASS UNTIL COOLED.

NEVER ALLOW CHILDREN TO TOUCH GLASS.

A barrier designed to reduce the risk of burns from the hot viewing glass is provided with this appliance and must be installed for the protection of children and other at-risk individuals.

This appliance has been supplied with an integral barrier to prevent direct contact with the fixed glass panel. DO NOT operate the appliance with the barrier removed.

Contact your dealer or Hearth & Home Technologies if the barrier is not present or help is needed to properly install one.

NOTICE: Handle refractory panels with care. Refractory may chip or crack if dropped or impacted.

TOOLS

Screw gun equipped with 1/4 in. socket or 1/4 in. wrench or socket
Standard Flathead Screwdriver

KIT COMPONENTS

- (1) Left Refractory Panel
- (1) Right Refractory Panel
- (1) Back Refractory Panel
- (2) Side Glass Retaining Brackets with Screws
- (1) Back Glass Retaining Bracket with Screws (36 Only)
- (2) Self-tapping Base Pan Screws

INSTALLATION

CAUTION! Risk of Burns! The fireplace should be turned off and cooled before glass refractory is installed.

1. Remove decorative front and glass assembly. Refer to appliance installation manual for glass removal and replacement instructions.
2. Locate the two holes on the back flange of the basepan, shown in Figure 1, and screw two self-tapping screws through the basepan and into the back wall of the firebox.

CAUTION: Risk of hard/aggressive lighting! Installation of self-tapping screws is required. Appliance may cycle on and off and hard (aggressive) lighting could occur.

3. Bend the bottom glass tabs, two on each side, up as shown in Figure 1.

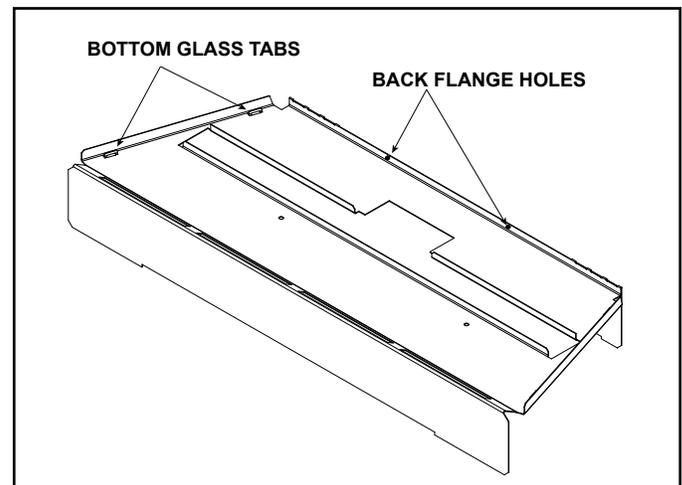


Figure 1. Bend Bottom Glass Tabs Up

4. **Rear Panel:** Install back glass panel as shown in Figure 2. Ensure the smooth side is facing toward the front of the fireplace. Set the back panel tight against the flange of the basepan and tilt the glass up toward the back of the firebox. Back panel will be held in place by the side panels. Hold back panel in place while installing the left and right panels.

GLASS-36LINEAR Only: Install back glass retaining bracket by centering it left and right and attaching it using two self-tapping screws. See Figure 3.

5. **Side Panels:** Position glass panel between bottom glass tabs and side wall of firebox. See Figure 4.

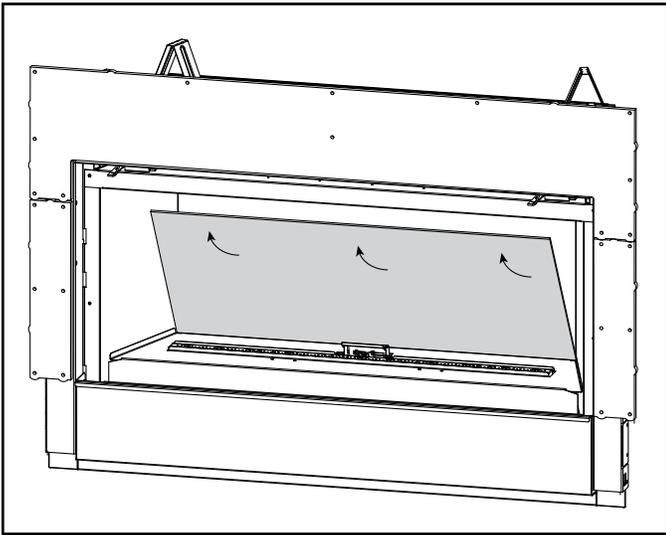


Figure 2. Placement of Rear Glass Panel

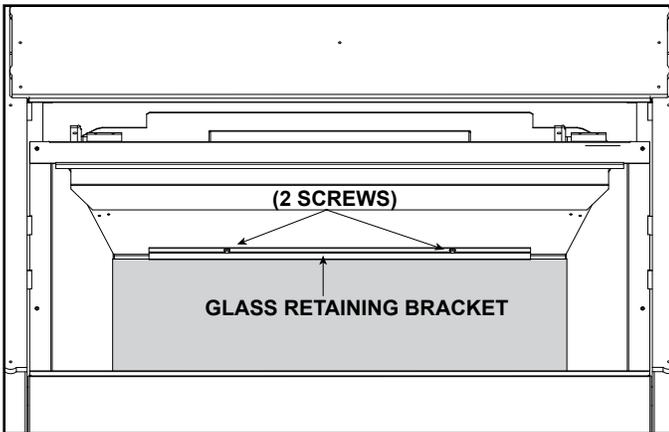


Figure 3. GLASS-36LINEAR: Back Glass Retaining Bracket Installed

6. Install side glass retaining bracket, one on each side, with the screw provided. Note that the size of the bracket depends on the model size. See Figure 5 (32 inch models) and Figure 6 (36 and 42 inch models). Repeat for opposite side panel.
7. Reinstall glass assembly and decorative front.

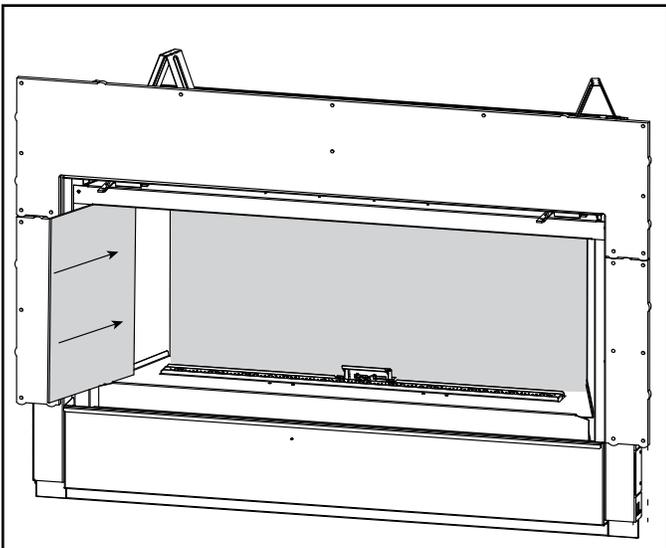


Figure 4. Placement of Side Glass Panel

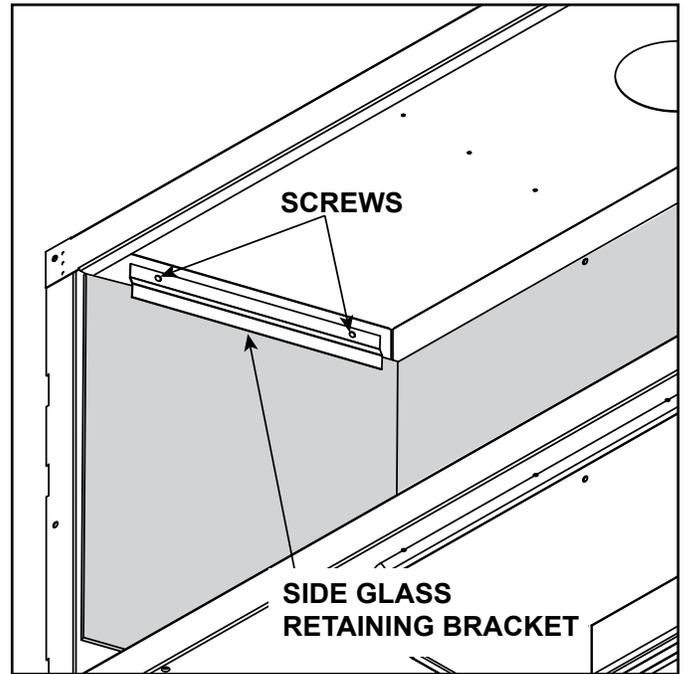


Figure 5. Placement of Side Glass Bracket - 32 Inch Models

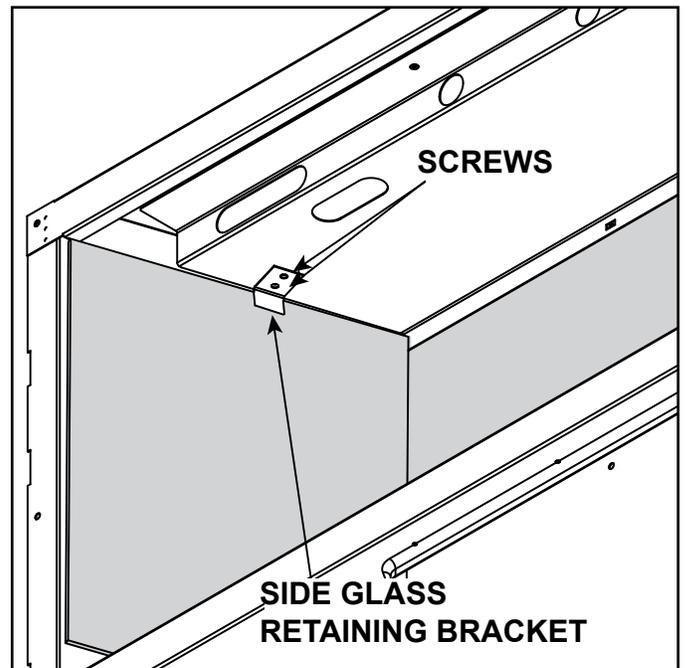


Figure 6. Placement of Side Glass Bracket - 36 and 42 Inch Models

Hearth & Home Technologies
 7571 215th Street West, Lakeville, MN 55044
www.hearthnhome.com

Please contact your Hearth & Home Technologies dealer with any questions or concerns.
 For the location of your nearest Hearth & Home Technologies dealer, please visit www.hearthnhome.com.