

Martini Decorative Fronts

MAR-COSMO42, MAR-COSMO42, MAR-COSMO42, MAR-COSMO42
 MAR-COSMO36, MAR-COSMO36, MAR-COSMO36
 MAR-COSMO32, MAR-COSMO32, MAR-COSMO32

Installation Instructions



Leave this manual with party responsible for use and operation.

CAUTION! Risk of Cuts, Abrasions or Flying Debris. Wear protective gloves and safety glasses during installation. Sheet metal edges are sharp.

DANGER



HOT GLASS WILL CAUSE BURNS.

DO NOT TOUCH GLASS UNTIL COOLED.

NEVER ALLOW CHILDREN TO TOUCH GLASS.

A barrier designed to reduce the risk of burns from the hot viewing glass is provided with this appliance and must be installed for the protection of children and other at-risk individuals.

WARNING! Risk of Fire! Combustible materials MUST NOT overlap or be placed under a surround.

CAUTION! Do not install damaged components.

WARNING! Risk of Fire! DO NOT apply combustible materials beyond the minimum clearances. Comply with all minimum clearances to combustibles as specified. Overlapping materials could ignite and will interfere with proper operation of decorative fronts.

CONTENTS:

- Decorative Front Assembly (Inner Decorative Front Assembly & Outer Decorative Front Trim)
- Hex Screws (4)
- Glass Vanity Panel (Ships secured to back of decorative front assembly)
- Fan Deflectors (2) (Ships as one piece in the bag containing this instruction. Breaks into left and right brackets.)

Verify and remove contents from packaging before beginning installation.

1. Remove decorative front assembly and screws from the package.
2. Remove the three screws that secure the bottom glass vanity panel to the back of the decorative front. Discard screws. See Figure 1.

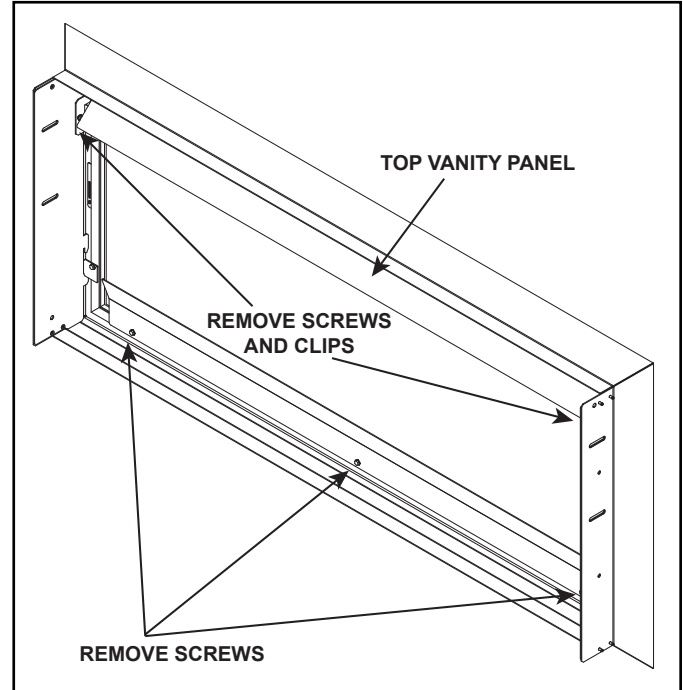


Figure 1. Decorative Front Assembly

3. Install the bottom glass vanity panel by inserting the long side of the panel between the glass and bottom glass frame as shown in Figure 2.

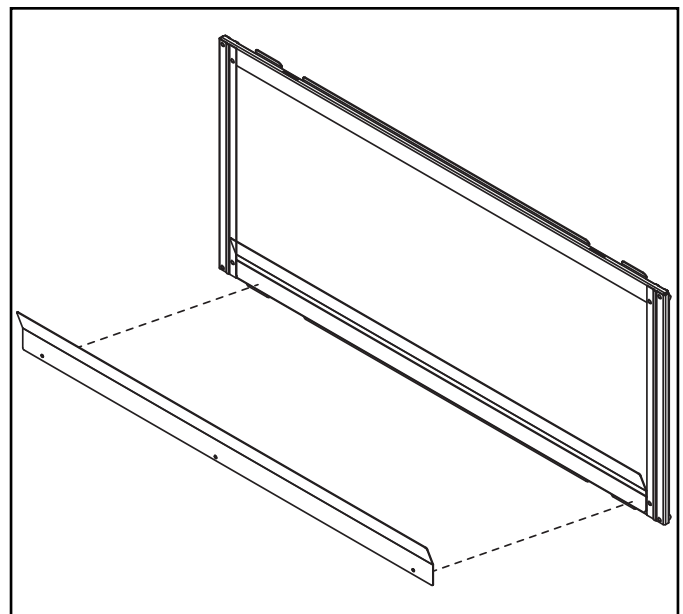


Figure 2. Install Bottom Glass Vanity Panel

4. Remove and discard the two screws and the two shipping clips that secure the inner decorative front assembly to the outer trim ring. See Figure 1. Remove inner decorative front assembly. See Figure 5.

MAR-COSMO42 / MAR-COSMO36 ONLY:

NOTICE: Steps 5-7 are required for MAR-COSMO42 and MAR-COSMO36 decorative fronts only. If installing MAR-COSMO32 decorative front, proceed to Step 8.

5. Locate the fan deflectors that are enclosed in the manual bag assembly. If applicable, separate into left and right deflectors by bending the deflector at the perforation until it breaks and the pieces are separated. See Figure 3.
6. Install the right deflector by installing it over the glass frame as shown in Figure 4.
7. Repeat Step 6 for left deflector. Notice the "L" indicator on the left fan deflector.

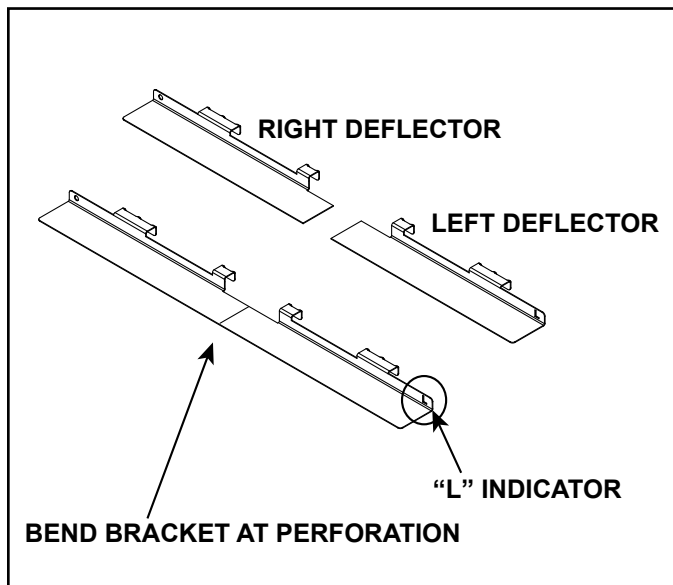


Figure 3. Separate Fan Deflector into Left and Right Brackets

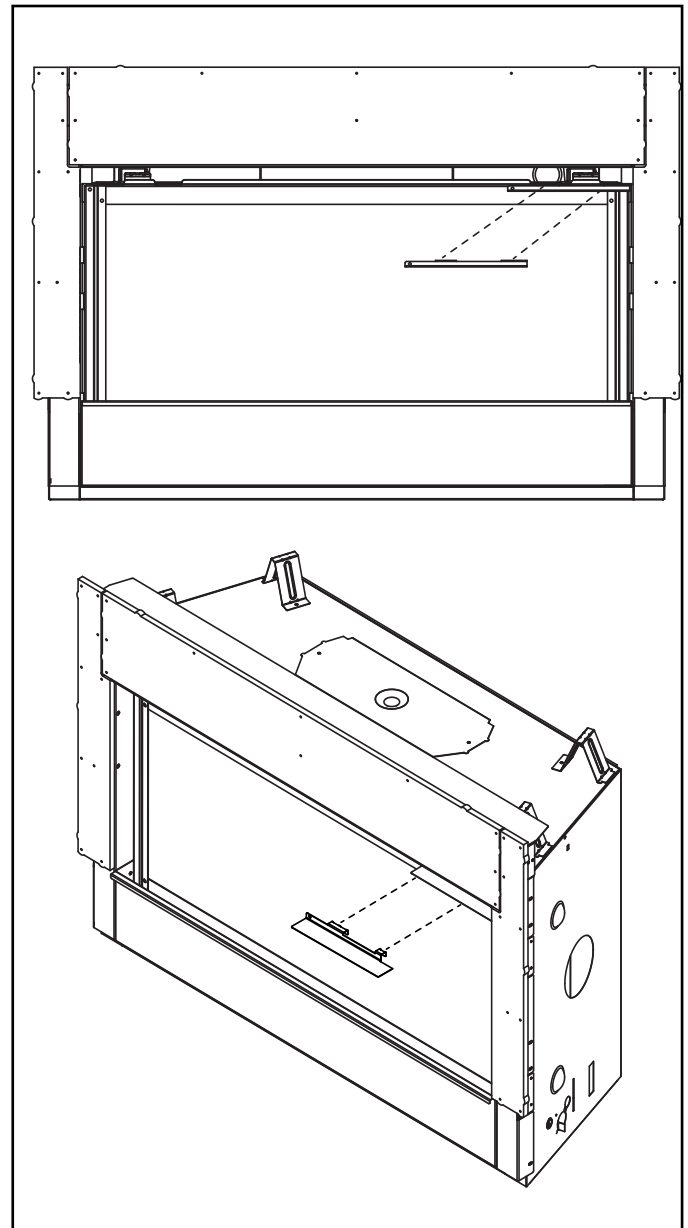


Figure 4. Install Right Fan Deflector

8. Install the outer decorative front trim into appliance opening and secure outer trim to appliance with four hex screws. Ensure the outer trim contacts the face of the non-combustible board or finish material, if applicable. See Figure 5.
9. Install the inner decorative front assembly. The inner decorative front assembly will hang from four slots located on the left/right sides of the outer decorative front trim. See Figure 5.

Note: Install decorative front so that the top vanity panel is in the “top” side of inner decorative front. See Figure 1 and Figure 5.

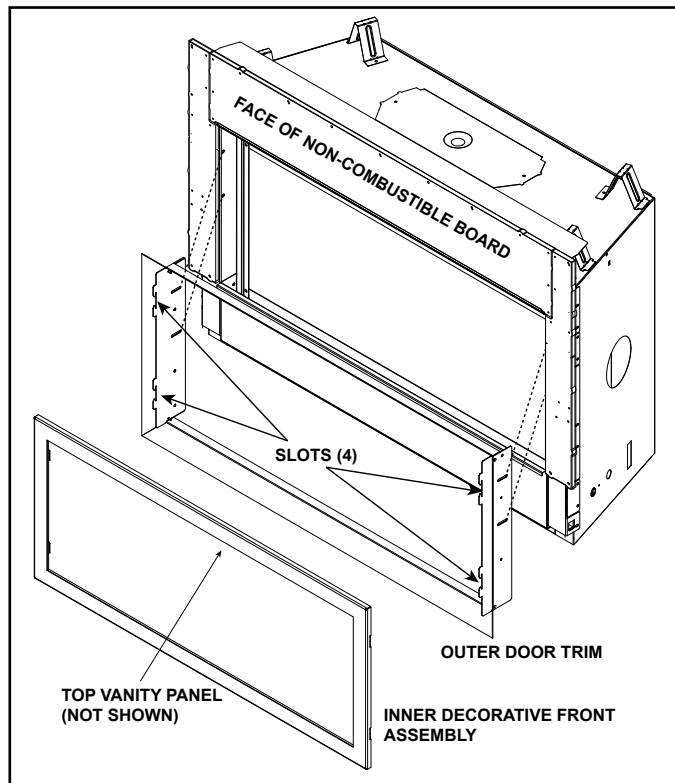


Figure 5. Outer Decorative front Trim and Decorative Front Installation

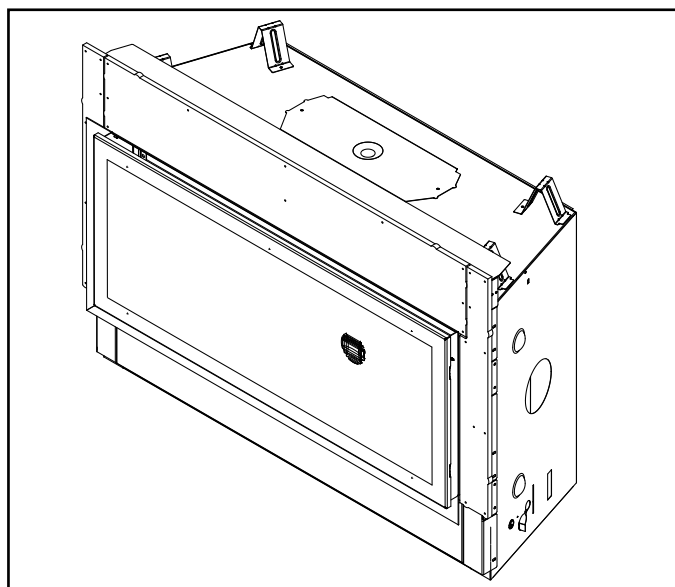


Figure 6. Martini Decorative Front Installed

Service Parts List

| DECORATIVE FRONTS | DESCRIPTION | PART NUMBER |
|-------------------|---------------|-------------|
| MAR-COSMO42 | MESH ASSEMBLY | SRV2491-191 |
| | FAN DEFLECTOR | SRV2491-241 |
| MAR-COSMO36 | MESH ASSEMBLY | SRV2617-191 |
| | FAN DEFLECTOR | SRV2491-241 |
| MAR-COSMO32 | MESH ASSEMBLY | SRV2492-191 |

Cleaning Instructions for Decorative fronts

Use a microfiber cloth and Windex® Original Glass Cleaner or 03M003 Stove Bright® Glass Cleaner to clean the decorative front immediately after installation to remove acids deposited by the installer or technician. Spray the cleaner onto the microfiber cloth and carefully wipe the entire surface. The decorative front should be cleaned in this manner annually by the homeowner to remove fingerprints or other contaminants. Once oxidation of the paint pigment has occurred, cleaning will not restore the original color.

Please contact your Heat & Glo dealer with any questions or concerns.
For the location of your nearest Heat & Glo dealer, please visit www.heatnglo.com.

Heat & Glo, a brand of Hearth & Home Technologies
7571 215th Street West, Lakeville, MN 55044
www.heatnglo.com