

CFTF-32, CFTF-36, CFTF-42 Decorative Fronts


Installation Instructions for all available color choices



Leave this manual with party responsible for use and operation.

CAUTION! Risk of Cuts, Abrasions or Flying Debris.
 Wear protective gloves and safety glasses during installation. Sheet metal edges are sharp.

DANGER



HOT GLASS WILL CAUSE BURNS.

DO NOT TOUCH GLASS UNTIL COOLED.

NEVER ALLOW CHILDREN TO TOUCH GLASS.

A barrier designed to reduce the risk of burns from the hot viewing glass is provided with this appliance and must be installed for the protection of children and other at-risk individuals.

WARNING! Risk of Fire! Combustible materials MUST NOT overlap or be placed under a surround.

WARNING! Risk of Fire! DO NOT apply combustible materials beyond the minimum clearances. Comply with all minimum clearances to combustibles as specified. Overlapping materials could ignite and will interfere with proper operation of decorative fronts.

CAUTION! Do not install damaged components.

Contents:

- Decorative Front Assembly
 (Inner Decorative Front Assembly & Outer Decorative Front Trim)
- Glass Vanity Panel
 (Ships secured to back of decorative front assembly)

Verify and remove contents from packaging before beginning installation.

Preparation:

Note: See appliance Installation Manual for specific finishing methods.

Overlap Fit Finishing: 0-1 Inch

Inside fit Finishing: 1-6 Inches

The CFTF decorative front can be installed with or without the included outer decorative front trim. Determine whether or not to install the outer decorative front trim using the conditions listed on page 2.

1. Remove decorative front assembly and manual bag assembly from the packaging. Place the decorative front assembly face down on a clean, protected work surface.
2. Remove the three screws that secure the glass vanity panel to the back of the decorative front. Discard screws. See Figure 1.

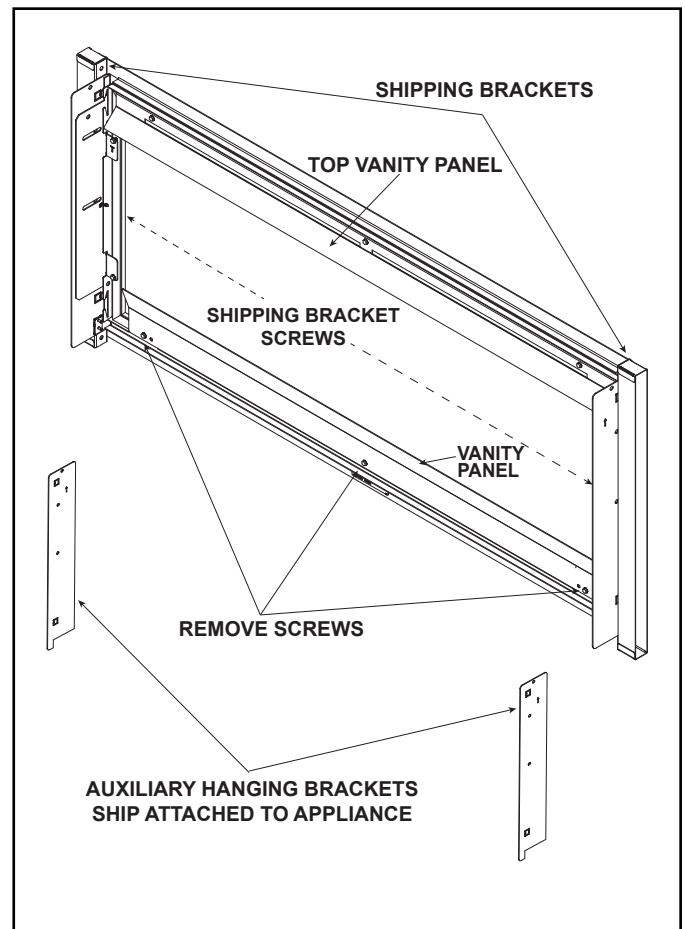


Figure 1. Decorative Front Assembly - Shown as Shipped

3. Install the glass vanity panel onto the appliance glass assembly by inserting the long side of the vanity panel between the glass and bottom glass frame as shown in Figure 2.
4. Shipping brackets are attached to the left and right sides of the decorative front. See Figure 1. Remove the two screws and discard the shipping brackets and screws. Remove inner decorative front and set aside. See Figure 3.

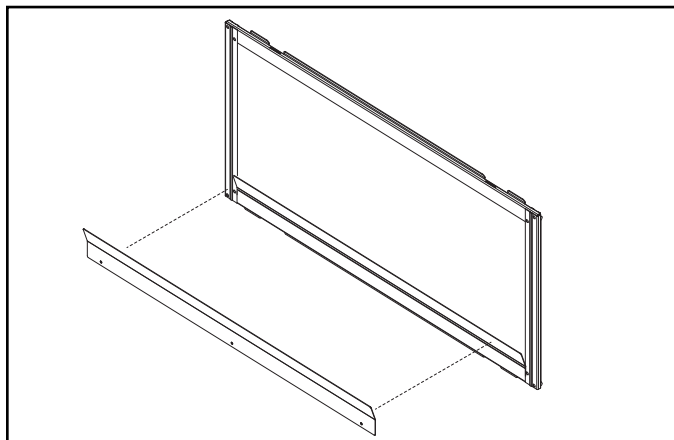


Figure 2. Install Glass Vanity Panel

Determine Installation Method For CFTF Decorative Front

The installation of the CFTF decorative front is determined by the finishing method applied during the appliance installation. The design of the CFTF decorative front allows for installation with or without the outer decorative front trim. If the outer decorative front trim is not used, then the auxiliary hanging brackets must be used. See Figure 3.

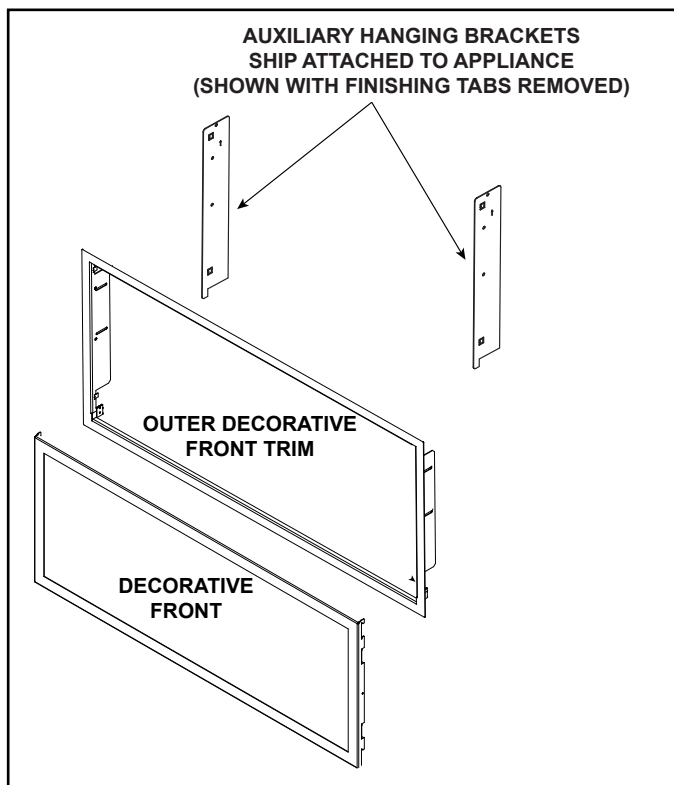


Figure 3. Component Identification

Please use the provisions below to determine the correct installation method.

Outer Decorative Front Trim is Required:

If only drywall has been installed.

If decorative non-combustible finishing material (such as tile or marble) less than one inch thick has been installed.

If non-combustible finishing material (such as ledgerstone, cultured or natural stone) greater than one inch thick has been installed AND it is installed a minimum of 1-3/16 inch from the appliance opening.

In any of the above instances, the auxiliary hanging brackets should be discarded. Follow the steps on page 3 and reference Figure 4.

Auxiliary Hanging Brackets are Required:

If non-combustible finishing material (such as ledgerstone, cultured or natural stone) greater than one inch thick has been installed up to the appliance opening.

In the above instance, the outer decorative front trim should be discarded. Follow the steps on page 4 and reference Figure 5.

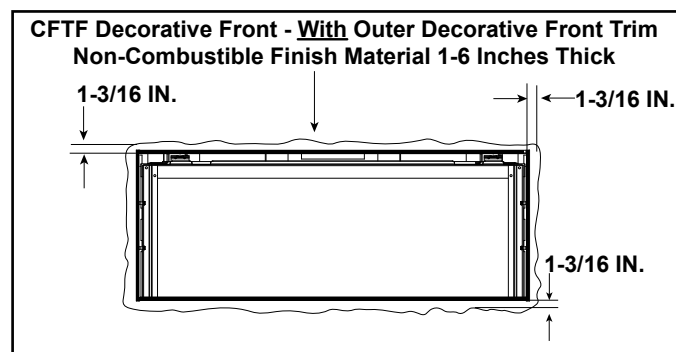


Figure 4. Clearances to Appliance Opening With Outer Decorative front Trim

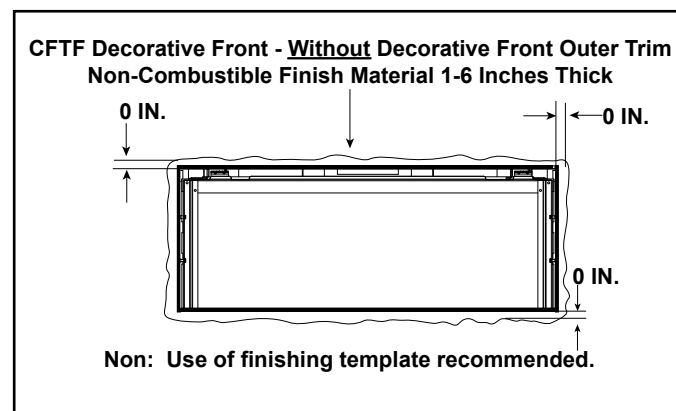


Figure 5. Clearances to Appliance Opening Without Outer Decorative front Trim

Installation of CFTF Decorative Front With Outer Decorative Front Trim

NOTICE: All stainless steel (-SS) fronts are shipped with a protective film over the stainless steel surface. This film must be removed carefully prior to installation. Avoid bending front or outer decorative front trim when removing film.

1. Remove auxiliary hanging brackets from the left and right sides of the appliance opening. Retain the fasteners for use with the outer decorative front trim.
2. Install the outer decorative front trim into appliance opening and secure outer trim to appliance with four hex screws. Ensure the outer trim contacts the face of the non-combustible board or finish material, if applicable. See Figure 6.

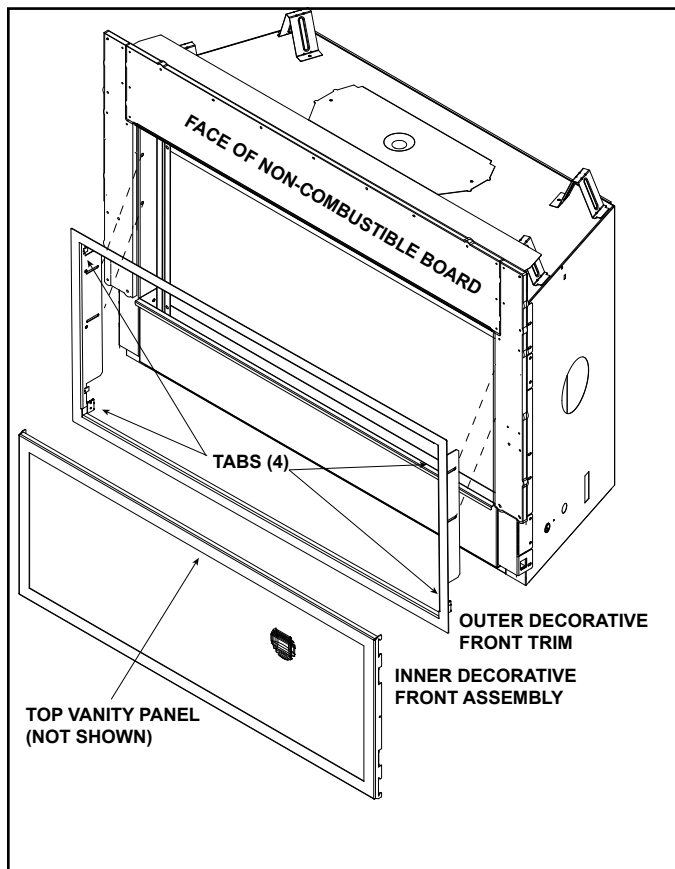


Figure 6. Outer Decorative front Trim and Inner Decorative Front Installation

3. Install the inner decorative front assembly so that the top vanity is positioned upward. The inner decorative front assembly will hang from the four tabs located on the left/right sides of the outer decorative front trim. See Figure 6 and Figure 7.

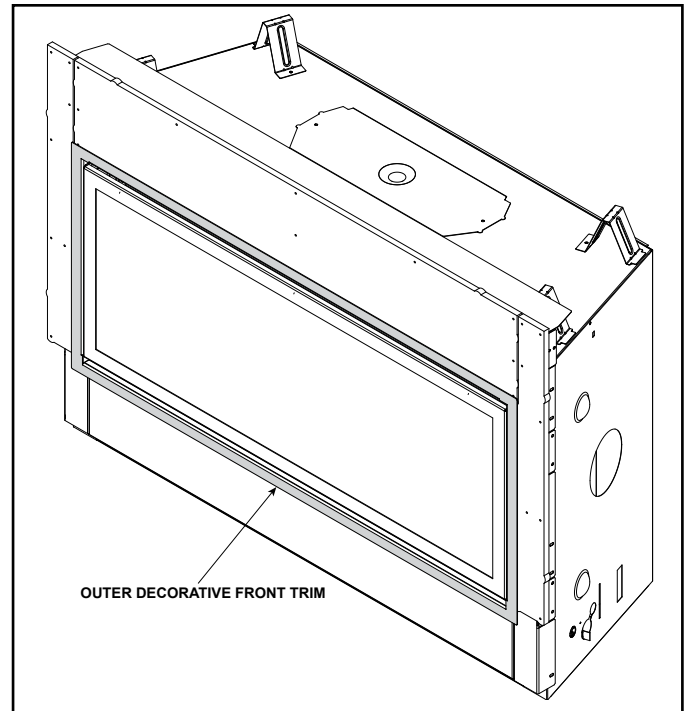


Figure 7. CFTF Decorative Front Installed With Outer Decorative Front Trim

Installation of CFTF Decorative Front Without Outer Decorative Front Trim

NOTICE: All stainless steel (-SS) fronts are shipped with a protective film over the stainless steel surface. This film must be removed carefully prior to installation. Avoid bending front or outer decorative front trim when removing film.

1. Remove auxiliary hanging brackets from left and right sides of appliance opening. Retain fasteners for use in reinstallation process.
2. Locate the mounting tabs on the two auxiliary hanging brackets. The mounting tabs are shipped unbent. Use a pliers to bend the tabs to 90 degrees as shown in **Figure 8**.

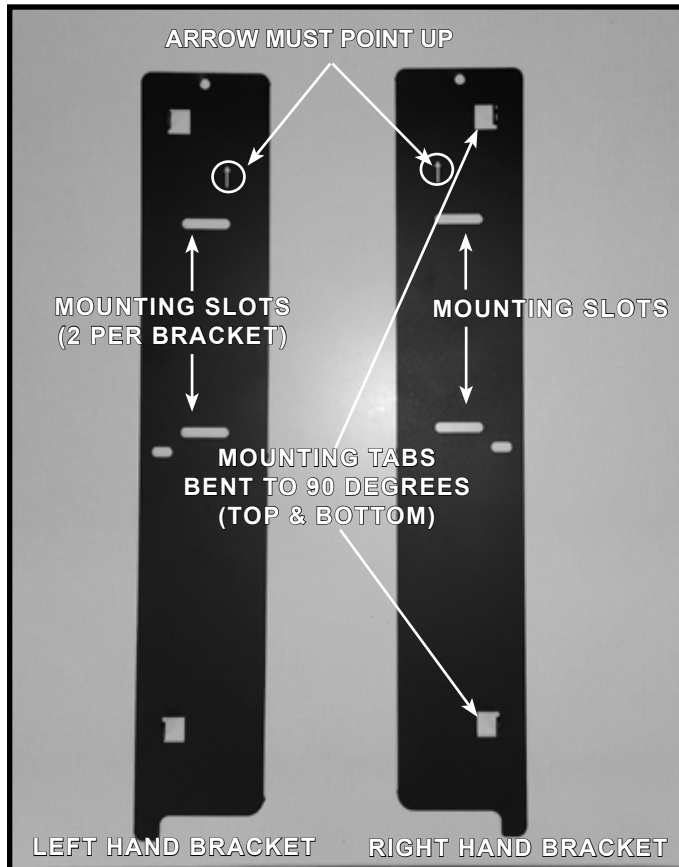


Figure 8. Auxiliary Hanging Brackets

3. Install the left auxiliary hanging bracket by positioning the arrow upward. Install a hex screw in each mounting hole and slide the bracket toward the appliance before tightening the screw. See Figure 9. Repeat for right auxiliary hanging bracket.

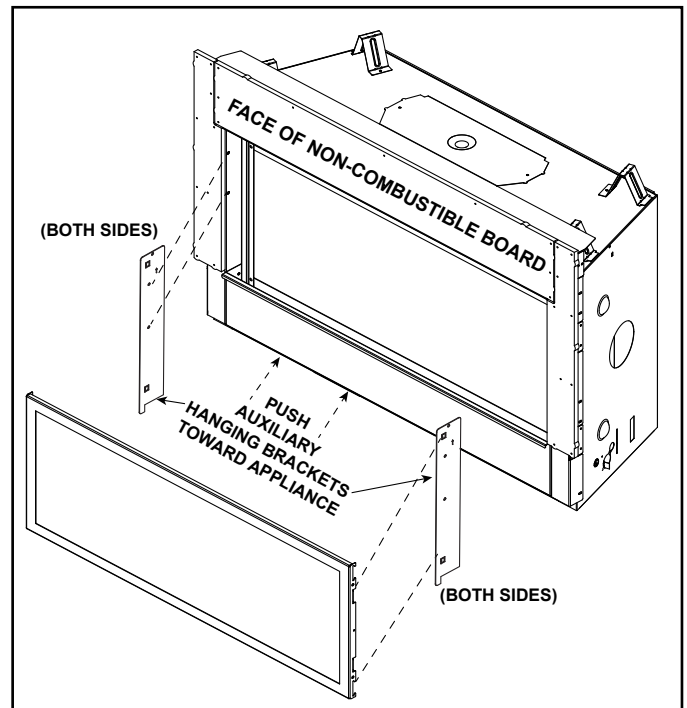


Figure 9. Install Auxiliary Hanging Brackets

4. Install the decorative front assembly by hanging it from the four tabs located on the auxiliary brackets. There are two tabs on the left side and two tabs on the right side. See Figure 9 and Figure 10.

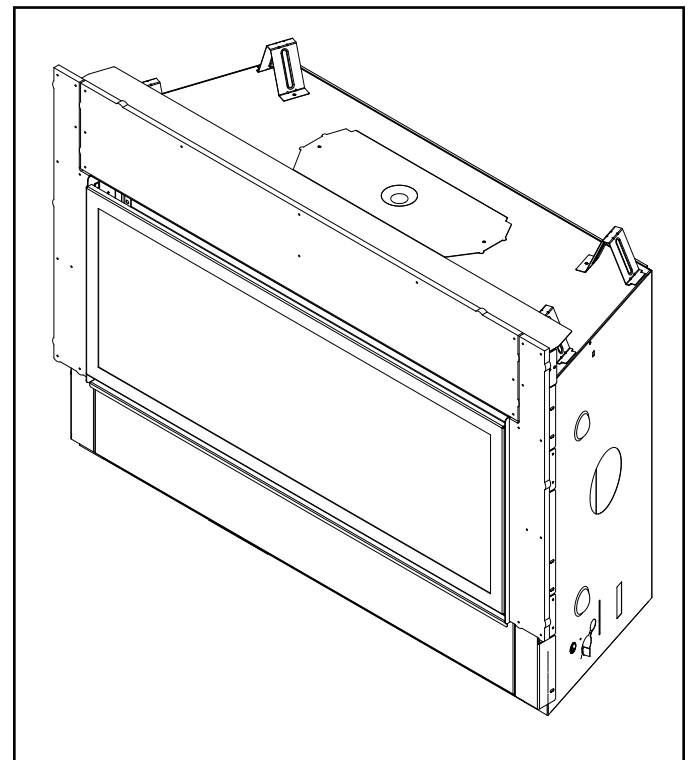


Figure 10. CFTF Decorative Front Installed Without Outer Decorative Front Trim

Service Parts List

DECORATIVE FRONTS	DESCRIPTION	PART NUMBER
CFTF-42 (All colors)	MESH ASSEMBLY	SRV2491-191
CFTF-36 (All colors)	MESH ASSEMBLY	SRV2617-191
CFTF-32 (All colors)	MESH ASSEMBLY	SRV2492-191

Cleaning Instructions for Decorative fronts

Use a microfiber cloth and Windex® Original Glass Cleaner or 03M003 Stove Bright® Glass Cleaner to clean the decorative front immediately after installation to remove acids deposited by the installer or technician. Spray the cleaner onto the microfiber cloth and carefully wipe the entire surface. The decorative front should be cleaned in this manner annually by the homeowner to remove fingerprints or other contaminants. Once oxidation of the paint pigment has occurred, cleaning will not restore the original color.

Please contact your Hearth & Home Technologies dealer with any questions or concerns.
For the location of your nearest
Hearth & Home Technologies dealer,
please visit www.hearthnhome.com.

Hearth & Home Technologies
7571 215th Street West, Lakeville, MN 55044
www.hearthnhome.com