

SLMR-IFT-UPK
IntelliFire™ Touch Upgrade Kit
For Select Models with IntelliFire™ Plus Controls
Installation Instructions



Leave this manual with party responsible for use and operation.

DANGER



**HOT GLASS WILL
CAUSE BURNS.**

**DO NOT TOUCH GLASS
UNTIL COOLED.**

**NEVER ALLOW CHILDREN
TO TOUCH GLASS.**

A barrier designed to reduce the risk of burns from the hot viewing glass is provided with this appliance and shall be installed for the protection of children and other at-risk individuals.

Introduction

The SLMR-IFT-UPK kit is to be used to upgrade select models with IntelliFire™ Plus controls to the IntelliFire™ Touch control system. The SLMR-IFT-UPK must be installed by a qualified service technician. See page 4 for applications.

The SLMR-IFT-UPK kit includes all of the parts to replace the components that were removed, including a new RC400 remote. The remote and ECM have been paired at the factory for all standard features of the appliance.

NOTE: Not all functions are available on all appliances, so some steps may not be necessary.

Preparation

CAUTION! Risk of Burns!

- The fireplace should be turned off and cooled before IFT upgrade kit is installed.
- Shut off gas supply.

Installation

1. Remove decorative front to gain access to the appliance control cavity.

Note: Refer to Figure 1 and Figure 2 for steps 2-9.

2. Unplug the IntelliFire™ Plus power supply and AUX300 module from the power supply.
3. Verify that the junction box is securely attached to the outer side of the appliance. The IntelliFire™ Touch system is very sensitive to a solid ground.
4. Unplug the white and orange pilot wires from the IntelliFire™ Plus module.
5. Unplug the orange and green wires from the valve.
6. Remove the ground wire from the chassis.
7. Unplug the stepper motor wires from the IntelliFire™ Plus module.
8. Remove all connectors from the AUX300 module. AUX300 components include lights, power vent, etc.
9. Remove the IntelliFire™ Plus module, AUX300, battery pack, and any wires still attached to these components.
10. Dispose of all components removed in step 9. Do not install batteries in the RC400 remote at this time. Refer to Figure 3 for the reinstallation process of the controls.
11. Install the new IFT-ECM and IFT-ACM and associated wiring into the appliance. Note the location as shown in Figure 3.

WARNING! Risk of Injury! This kit must be installed by a qualified service technician.

CAUTION! Do not install damaged components.

CAUTION! Risk of Cuts, Abrasions or Flying Debris. Wear protective gloves and safety glasses during installation. Sheet metal edges are sharp.

WARNING! Choking Hazard! Keep media and stones out of reach of children.

Kit Components

- (1) RC400 Remote
- (1) IFT-Control Module (IFT-ECM)
- (1) IFT AUX Module (IFT-ACM)
- (1) 6 Pin Wiring Harness
- (1) 6V Wall Transformer
- (1) ACM Power Cord
- (1) Battery Holder
- (1) RF Module

Tools

- 1/4 in. nut driver

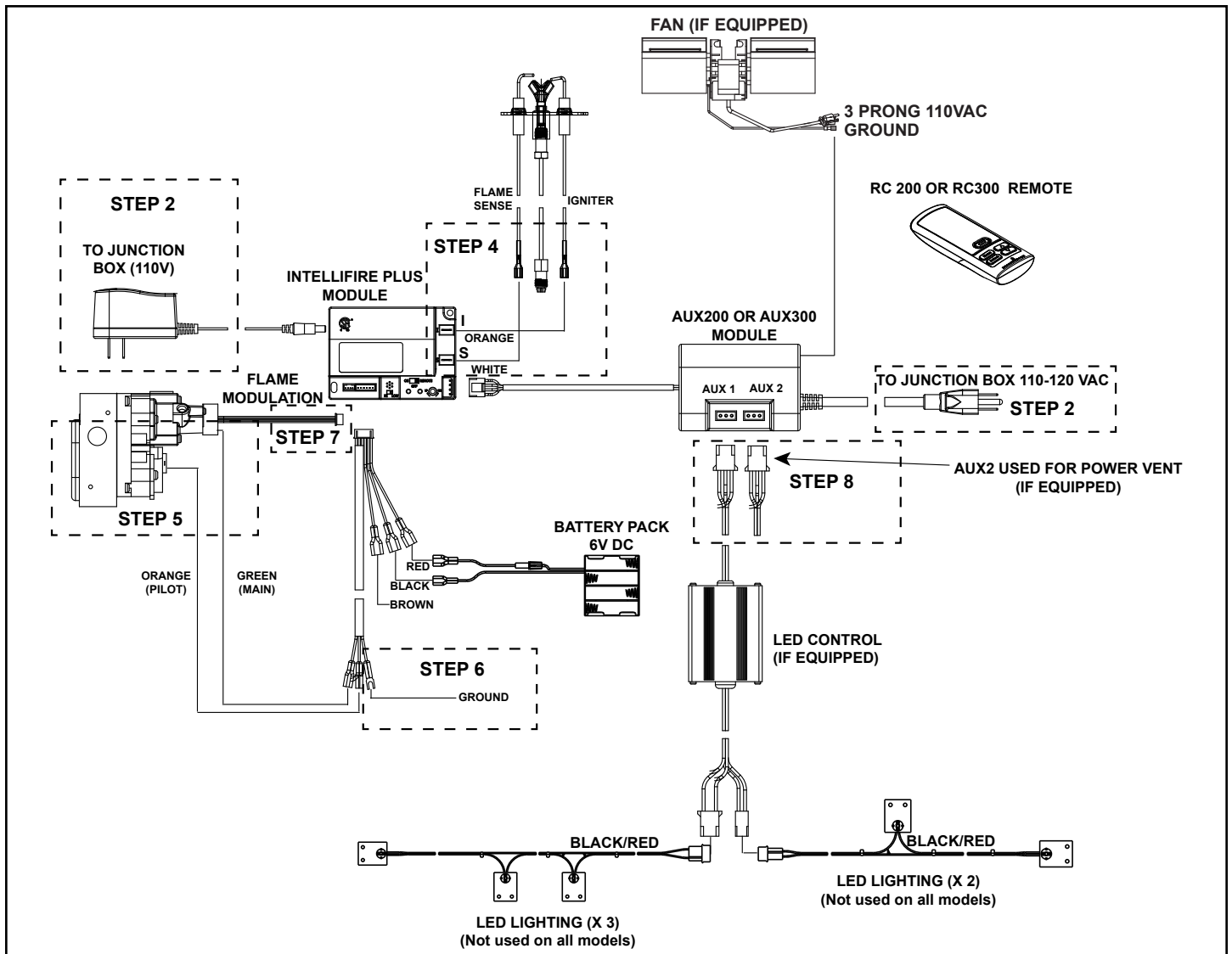


Figure 1. IntelliFire™ Plus Wiring With Remote

12. Plug orange and white pilot wires on terminals as shown in Figure 3. The orange wire terminates to the “I” terminal, and the white wire terminates to the “S” terminal on the ECM.

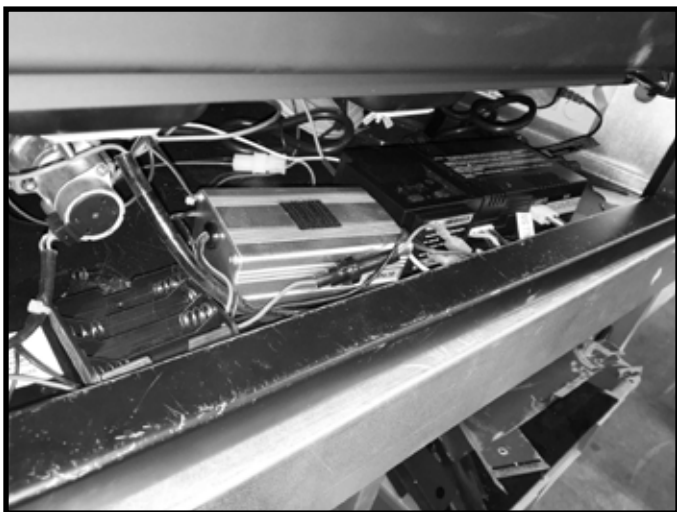


Figure 2. IntelliFire™ Touch Component Configuration

13. Plug the orange and green wires from the new harness back onto the appropriate terminals on the valve. Plug the red and black wires from the battery pack into the red and black wires on the ECM wire harness.
14. Plug the stepper motor wires into the ECM.
15. Attach ground wire from harness securely to an unpainted area on the chassis.
16. Plug the lights, power vent and other installed accessories into the ACM.
17. Plug the ACM cord into the junction box.
18. Verify that the ECM is in the “OFF” position.
19. Plug the AC/DC adapter into the ECM. Double check to make sure ALL electrical connections are correct, including the ACM power cord that connects to the junction box.
20. Switch the ECM to the “REMOTE” mode. The module should emit a “beep” and the green LED will flash. The system is now ready for remote control pairing and function testing. Install batteries into the RC400 at this time. Refer to the included RC400 Installation instructions for specific details on installation.

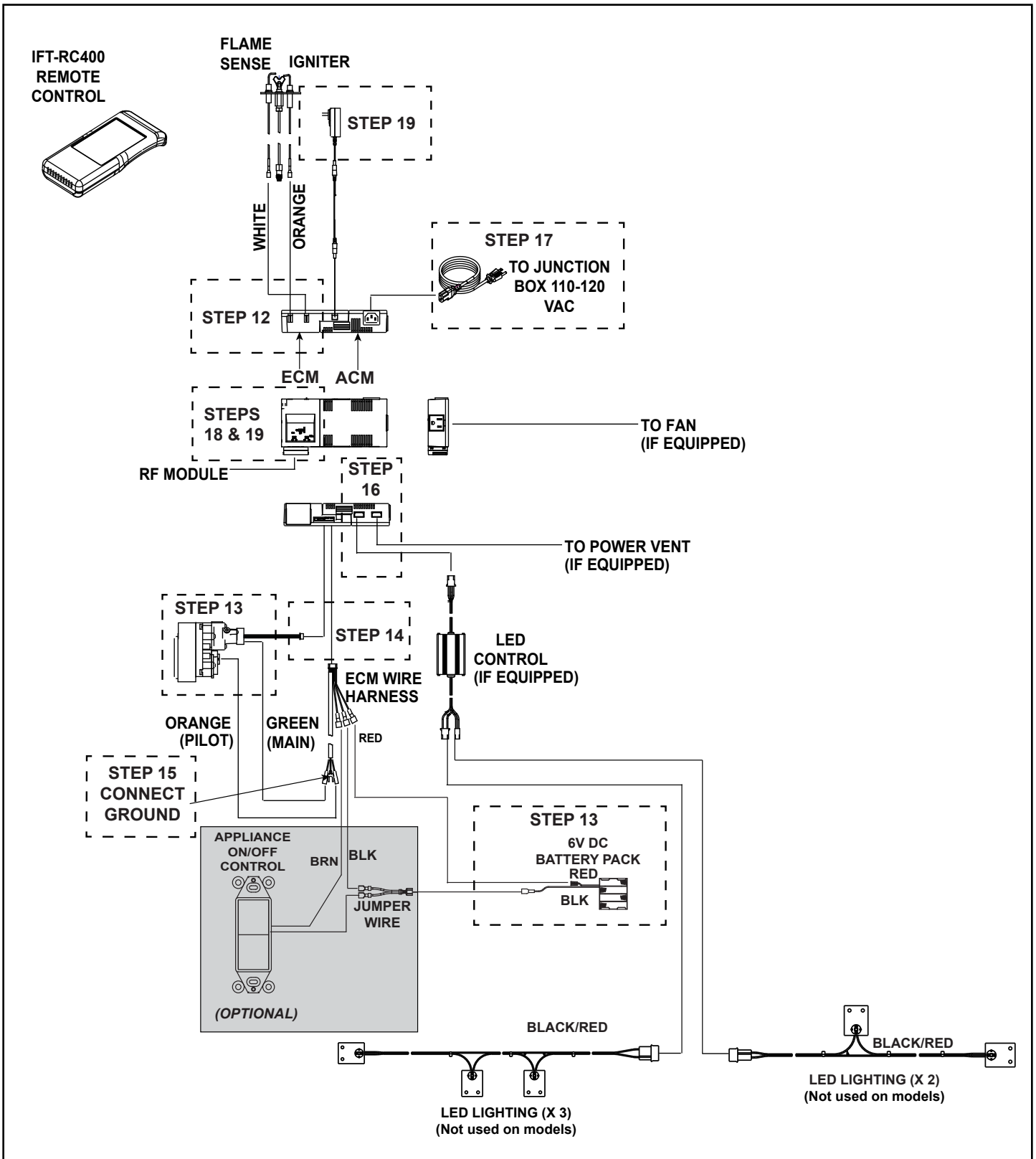


Figure 3. IntelliFire™ Touch Wiring With Remote

Hearth & Home Technologies Models Eligible for IntelliFire™ Touch Upgrade

<u>Heat & Glo</u>
SL-3X
SL-5X/SL-5XLP
SL-7X/SL-7XLP
SL-9X
6000C-IPI/6000C-IPILP
6000CL-IPI/6000CL-IPILP
6000CLX-IPI/6000CLX-IPILP
6000CMOD-IPI
8000C-IPI/8000C-IPILP
8000CL-IPI/8000CL-IPILP
8000CLX-IPI/8000CLX-IPILP
8000CMOD-IPI

<u>Heatilator</u>
CD4236IR-D/CD4236ILR-D
CD4842IR-D/CD4842ILR-D
CD4236-MOD
CD4842-MOD
CNXT4236IT-D/CNXT4236IH-D
CNXT4842IT-D/CNXT4842IH-D

<u>MAJESTIC</u>
DBDV36IN/DBDV36IL
DBDV42IN/DBDV42IL
DBDV36PLATIN/DBDV36PLATIL
DBDV42PLATIN/DBDV42PLATIN

Please contact your Hearth & Home Technologies dealer
with any questions or concerns.
For the location of your nearest Hearth & Home
Technologies dealer,
please visit www.hearthnhome.com.

Hearth & Home Technologies
7571 215th Street West, Lakeville, MN 55044
www.hearthnhome.com