

**FS-36, FS-36A, FS-36IFT, FS-36AIFT,  
 FS-42, FS-42A, FS-42IFT, FS-42AIFT,  
 FS-50, FS-50A, FS-50IFT, FS-50AIFT,  
 FORGE-36IFT, FORGE-36AIFT, FORGE-42IFT, FORGE-42AIFT,  
 FORGE-50IFT, FORGE-50AIFT**  
**Decorative Front Installation Instructions**



Leave this manual with party responsible for use and operation.

**KIT CONTENTS**

- Decorative Front
- Vanity Panel (FORGE Fronts only)

**PREPARATION OF THE APPLIANCE**

**1. ARCHED FRONTS:**

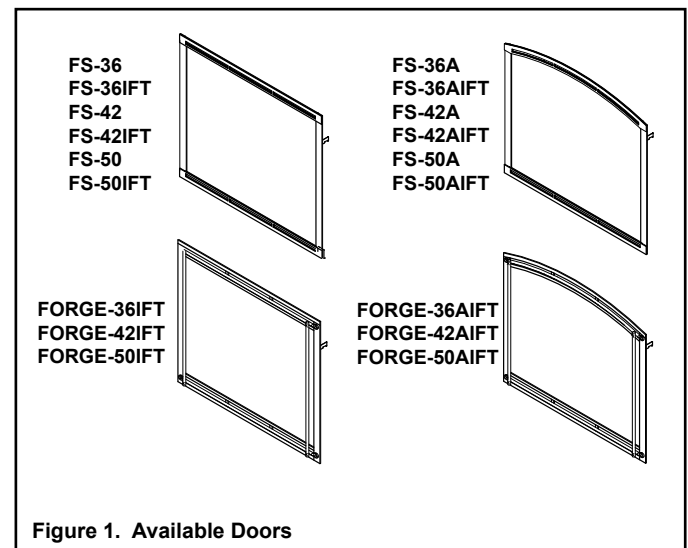
Refer to instructions included with Arch Trim Kit to prepare the arched fronts.

**NOTE:** Decorative fronts with an (A) in the model name denote "Arch". Arch decorative fronts require the ARCH-KIT-36, ARCH-KIT-42 or ARCH-KIT-50. See Figure 7.

- 2. SQUARE FRONTS:** Remove finishing templates if not already removed. Retain screws and black finishing trim.
3. Attach left and right finishing trim back on the appliance using the machine screws that held the finishing template in place.
4. Attach top finishing trim using the screws that held the top finishing template in place.

**PREPARATION OF THE DECORATIVE FRONT**

1. Remove decorative front from packaging.
2. The J-hooks are bent down for protection in shipping. Bend the hooks upward so they are positioned at a 90 degree angle from the back of the decorative front.




DANGER



**HOT GLASS WILL CAUSE BURNS.**

**DO NOT TOUCH GLASS UNTIL COOLED.**

**NEVER ALLOW CHILDREN TO TOUCH GLASS.**

A barrier designed to reduce the risk of burns from the hot viewing glass is provided with this appliance and shall be installed for the protection of children and other at-risk individuals.

**WARNING! Risk of Fire!** Combustible materials **MUST NOT** overlap or be placed under a surround.

**CAUTION! Risk of Cuts or Abrasions.** Wear protective gloves and safety glasses during installation. Sheet metal edges are sharp.

**CAUTION! Do not install damaged components.** If you received components that are damaged, contact your dealer for assistance.

**Note:** These decorative fronts are designed to overlap finishing materials such as tile or marble with thickness 1 inch or less (including backer material such as mortar, lath, etc). These may also be installed as an "inside fit" where the finishing materials are installed adjacent to the perimeter of the decorative decorative front. See appliance installation instructions for more information.

**NOTE:** The hammered pattern, decorative wire placement and other features of the Forge decorative front may vary from the showroom display model due to the handcrafted nature of the Forge decorative front.

**NOTICE: DO NOT** adhere or allow any adhesive backed materials to come into contact with the Forge decorative front surface.

## VANITY PANEL INSTALLATION (FORGE Fronts Only)

1. Locate the lower portion of the glass frame on the appliance. See Figure 2.
2. Insert vanity panel onto glass frame as shown in Figure 3. The installed vanity panel is shown in Figure 4.

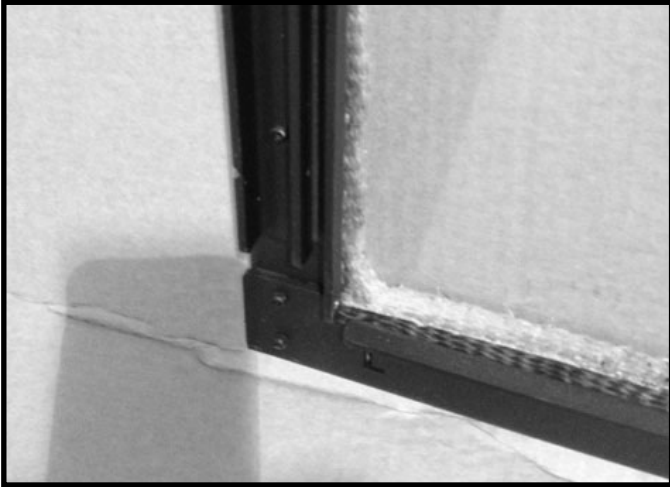


Figure 2. Bottom Glass Frame



Figure 3. Insert Vanity Panel

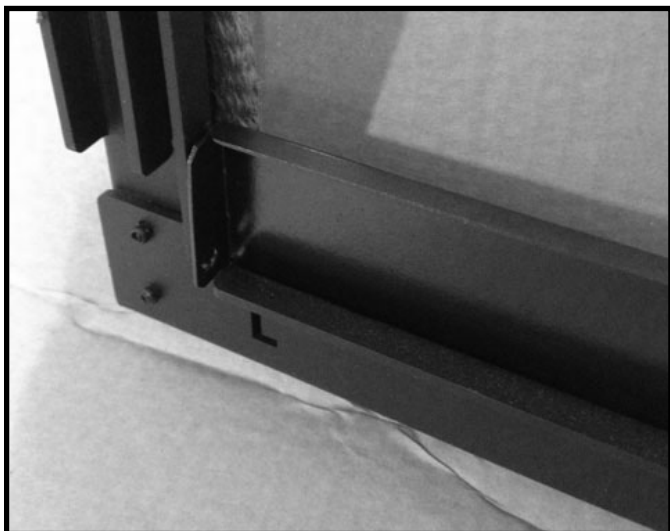


Figure 4. Vanity Panel Installed

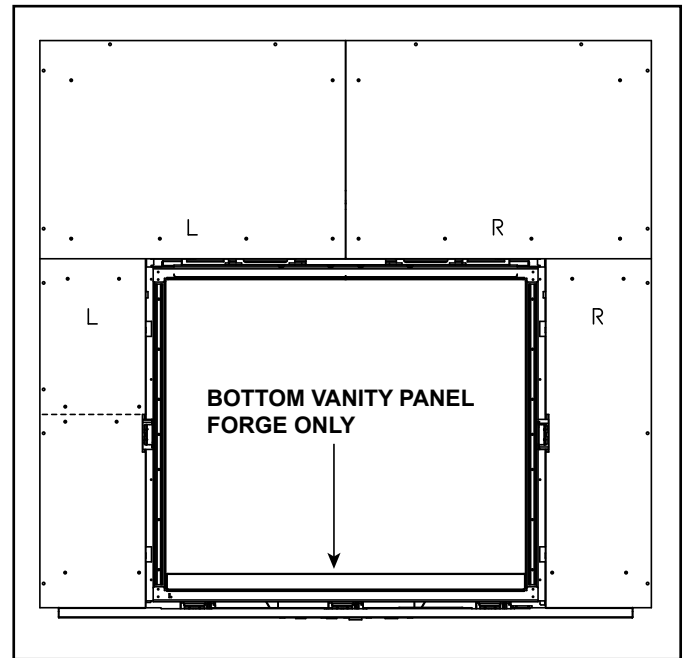


Figure 5. Bottom Vanity Panel

## DECORATIVE FRONT INSTALLATION

1. Remove labeled warning plate on the appliance by removing two screws. The warning plate was factory-installed to ensure that the hearth was installed to the required clearances. See Figure 6.
2. Locate the two vertical slots in the left and right surround of the appliance. See Figure 6. Grasp the top left and right side of the decorative front and engage the "J-Hooks" into the slots on the surround.

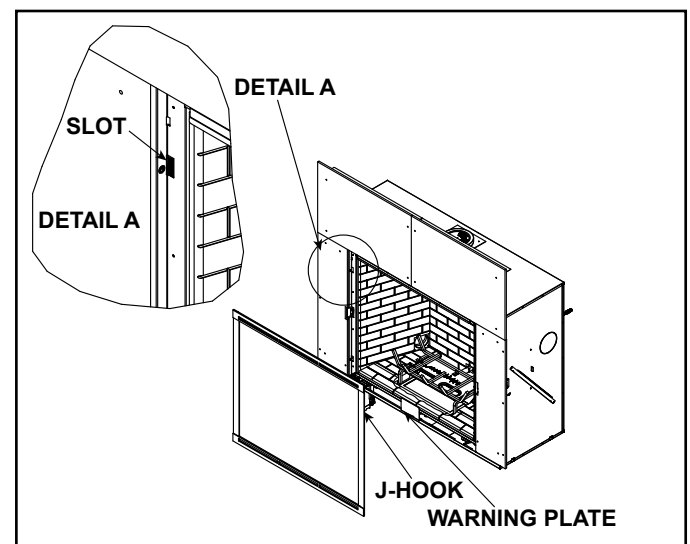


Figure 6. Bottom Vanity Panel

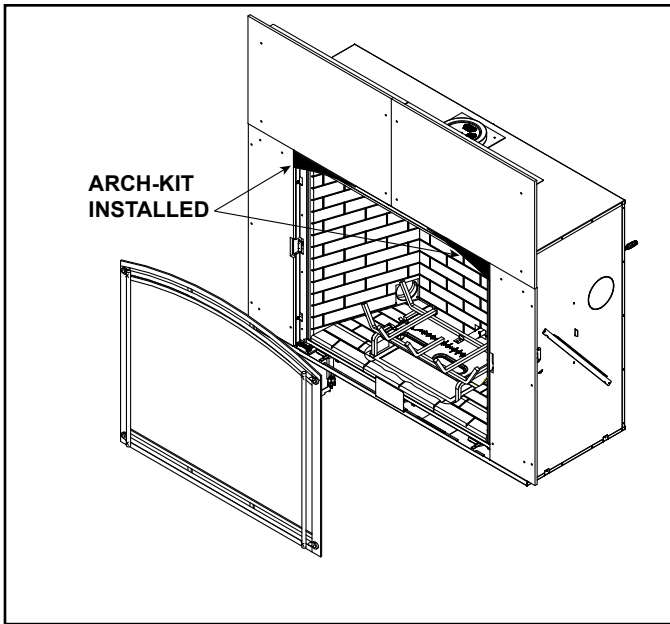


Figure 7. ARCH-KIT Installed

### Cleaning Instructions for Decorative Fronts

Use a microfiber cloth and Windex® Original Glass Cleaner or 03M003 Stove Bright® Glass Cleaner to clean the decorative front immediately after installation to remove acids deposited by the installer or technician. Spray the cleaner onto the microfiber cloth and carefully wipe the entire surface. The decorative front should be cleaned in this manner annually by the homeowner to remove fingerprints or other contaminants. Once oxidation of the paint pigment has occurred, cleaning will not restore the original color.

**Note:** The FORGE-36, FORGE-36A, FORGE-42, FORGE-42A, FORGE-50 and FORGE-50A may develop a change in appearance over time due to the heating and cooling associated with product use. This is the result of the natural tempering process of the steel used in these handcrafted products. This coloration change cannot be removed from the steel by cleaning.

Hearth & Home Technologies  
7571 215th Street West, Lakeville, MN 55044  
[www.hearthnhome.com](http://www.hearthnhome.com)

Please contact your Hearth & Home Technologies dealer with any questions or concerns.  
For the location of your nearest Hearth & Home Technologies dealer, please visit [www.hearthnhome.com](http://www.hearthnhome.com).