

Glass Panel Installation Instructions

Models: RAVE3012I, SLR32, RAVE4013I-C, SLR-C, SLR-D, XLR-PLUS-AU, RAVE4013I-D, XLR-PLUS-AUB



Leave this manual with party responsible for use and operation.

CAUTION! Risk of Cuts or Abrasions. Wear protective gloves and safety glasses during installation. Sheet metal edges are sharp.

DANGER



HOT GLASS WILL CAUSE BURNS.

DO NOT TOUCH GLASS UNTIL COOLED.

NEVER ALLOW CHILDREN TO TOUCH GLASS.

A barrier designed to reduce the risk of burns from the hot viewing glass is provided with this appliance and shall be installed for the protection of children and other at-risk individuals.

This appliance has been supplied with an integral barrier to prevent direct contact with the fixed glass panel. DO NOT operate the appliance with the barrier removed.

Contact your dealer or Hearth & Home Technologies if the barrier is not present or help is needed to properly install one.

NOTICE: Handle refractory panels with care. Refractory may chip or crack if dropped or impacted.

TOOLS

Screw gun equipped with 1/4 in. socket or 1/4 IN. wrench or socket

KIT COMPONENTS

- (1) Left Refractory Panel
- (1) Right Refractory Panel
- (1) Back Refractory Panel
- (4) Glass Retaining Brackets
- Screws

Glass Panel Instructions

Note: If the lower panel is finished, the glass baffle will need to be removed on SLR-C, RAVE4013I-C, SLR-D and RAVE4013I-D models before installing panels. Replace baffle after the glass panels have been installed. The side media tray edges may also need to be bent inward.

CAUTION! Risk of Injury! Glass baffle **MUST** be re-installed, if removed. Appliance could overheat causing glass to break.

1. Install back glass panel labeled A as shown in Figure 1. Back panel will be held in place by the side panels. Hold back panel in place while installing the left / right panels per steps 2 and 3.

Note: Install left and right glass panels with the longer side to the front of the appliance as noted in Figure 1.

2. Install left glass panel labeled B as shown in Figure 1. Install retaining bracket with the screw provided. See Figure 2.

SLR-C/SLR-D/RAVE4013I-C/RAVE4013I-D: Fasten additional bracket to base pan with screw provided.

3. Install right glass panel labeled C as shown in Figure 1. Install retaining bracket with the screw provided. See Figure 2.

SLR-C/SLR-D/RAVE4013I-C/RAVE4013I-D: Fasten additional bracket to base pan with screw provided.

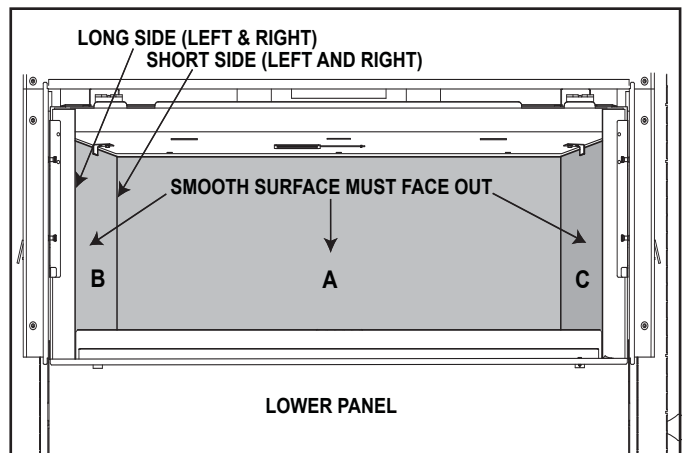


Figure 1. Placement of Glass Panels

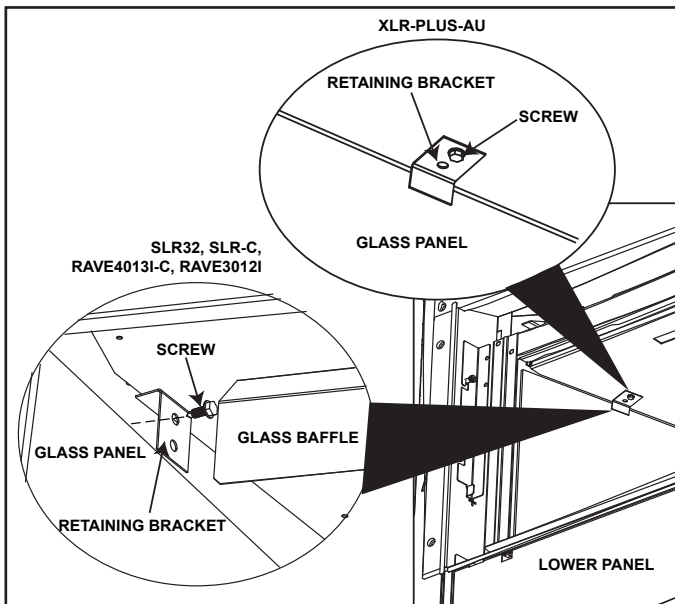


Figure 2. Retaining Tab Installation

Note: A slight gap will exist between the glass panel and the inner heat shield on the SLR32 model only.

Hearth & Home Technologies
 7571 215th Street West, Lakeville, MN 55044
www.hearthnhome.com

Please contact your Hearth & Home Technologies dealer
 with any questions or concerns.
 For the location of your nearest Hearth & Home
 Technologies dealer, please visit www.hearthnhome.com.