

Twilight Firescreen Decorative Front

Models: FS-TWI-BK

- Installation Instructions -



Leave this manual with party responsible for use and operation.

CAUTION! Risk of Cuts, Abrasions or Flying Debris. Wear protective gloves and safety glasses during installation. Sheet metal edges are sharp.

DANGER



HOT GLASS WILL CAUSE BURNS.

DO NOT TOUCH GLASS UNTIL COOLED.

NEVER ALLOW CHILDREN TO TOUCH GLASS.

A barrier designed to reduce the risk of burns from the hot viewing glass is provided with this appliance and shall be installed for the protection of children and other at-risk individuals.

WARNING! Risk of Fire! Combustible materials **MUST NOT** overlap or be placed behind a decorative front.

CAUTION! Do not install damaged components.

1. Remove all materials from the packaging.
2. Install the black shoulder bolts into the four threaded inserts located in the fireplace surround. See Figure 1.
3. Verify that the glass is centered (left to right) within the fireplace opening.
4. Align the bottom slots on the decorative front with the bottom shoulder bolts and set the front onto the bottom shoulder bolts. Tilt the decorative front towards the fireplace until it contacts the top shoulder bolts. Once the decorative front contacts the top shoulder bolts, lift up slightly and push decorative front toward fireplace until slots and bolts are engaged. Release the decorative front. The decorative front now hangs on the top two shoulder bolts.
5. Ensure the decorative front is properly attached and securely positioned on the appliance.

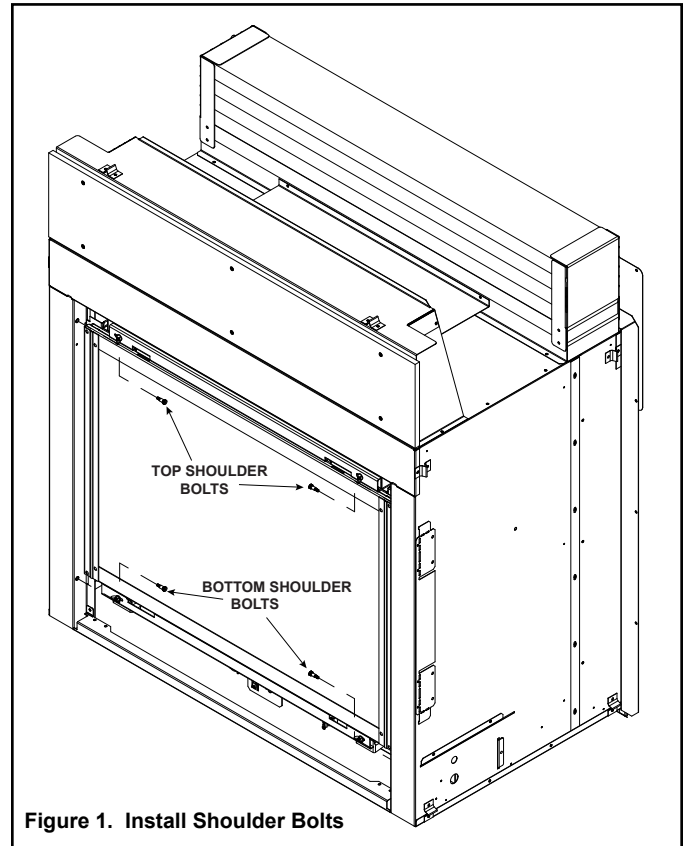


Figure 1. Install Shoulder Bolts

Cleaning Instructions for Decorative Fronts

Use a microfiber cloth and Windex® Original Glass Cleaner or 03M003 Stove Bright® Glass Cleaner to clean the decorative front immediately after installation to remove acids deposited by the installer or technician. Spray the cleaner onto the microfiber cloth and carefully wipe the entire surface. The decorative front should be cleaned in this manner annually by the homeowner to remove fingerprints or other contaminants. Once oxidation of the paint pigment has occurred, cleaning will not restore the original color.

Please contact your Heat & Glo dealer with any questions or concerns.

For the location of your nearest Heat & Glo dealer, please visit www.heatnglo.com.

Heat & Glo, a brand of Hearth & Home Technologies
7571 215th Street West, Lakeville, MN 55044
www.heatnglo.com