

Arcadia and Chateau Doors
Models: 6000G, 6000GL, 6000GLX, BE-41C
- Installation Instructions -

For Valencia door see Pages 2-3.

⚠ WARNING



HOT SURFACES!

Glass and other surfaces are hot during operation AND cool down.

Hot glass will cause burns.

- Do not touch glass until it is cooled
- NEVER allow children to touch glass
- Keep children away

- CAREFULLY SUPERVISE children in same room as fireplace.
- Alert children and adults to hazards of high temperatures.

High temperatures may ignite clothing or other flammable materials.

- Keep clothing, furniture, draperies and other flammable materials away.

This appliance has been supplied with an integral barrier to prevent direct contact with the fixed glass panel. Do NOT operate the appliance with the barrier removed.

Contact your dealer or Hearth & Home Technologies if the barrier is not present or help is needed to properly install one.

5. Hang the door on the four shoulder bolts. Push the door in until it contacts the finishing material (overlap fit) or the fireplace surround (inside fit).

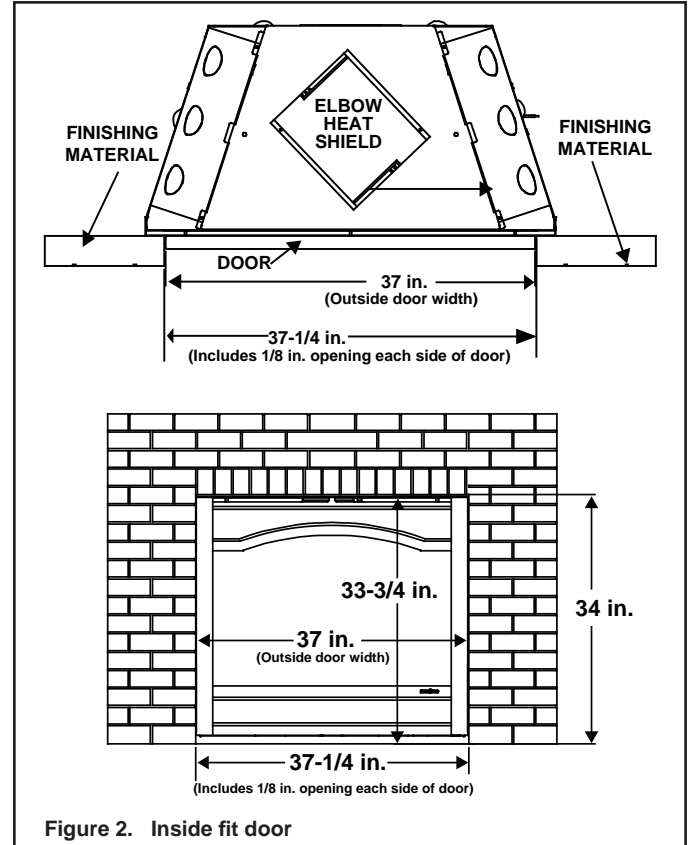


Figure 2. Inside fit door

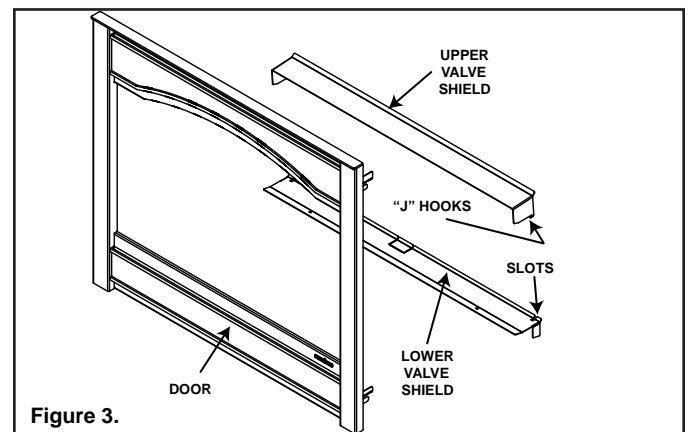


Figure 3.

Cleaning Instructions for Doors

Use a microfiber cloth and Windex® Original Glass Cleaner or 03M003 Stove Bright® Glass Cleaner to clean the door immediately after installation to remove acids deposited by the installer or technician. Spray the cleaner onto the microfiber cloth and carefully wipe the entire surface. The door should be cleaned in this manner annually by the homeowner to remove fingerprints or other contaminants. Once oxidation of the paint pigment has occurred, cleaning will not restore the original color.

Remove all materials from the packaging. It is very important to know what kind of finishing materials are going to be used on the fireplace. The doors are made to overlap finishing material up to 1 in. thick (see Figure 1).

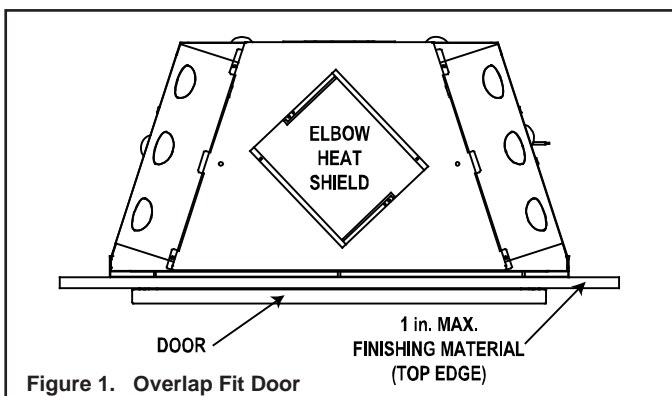


Figure 1. Overlap Fit Door

The doors can be used as an inside fit for finishing materials over 1 in. thick (see Figure 2). A template is available to assist with proper sizing of the finishing material.

1. Remove all materials from the packaging.
2. Install the black shoulder bolts into the four threaded inserts located in the fireplace surround.
3. Install the lower valve shield by screwing two self tapping screws through the holes in the vanity panel into the pilot holes in the fireplace surround (see Figure 3). **Note:** When installing the Hi/Low solenoid, bend the metal tab in the lower valve shield up to clear the solenoid.
4. Install the valve shield by hooking the "J" hooks into the small slots on the back side on the lower valve shield.

Valencia Doors

Models: 6000G, 6000GL, 6000GLX, BE-41C, SL-36-Ultimate

- Installation Instructions -

For Arcadia and Chateau doors see Page 1.

⚠ WARNING



HOT SURFACES!

Glass and other surfaces are hot during operation AND cool down.

Hot glass will cause burns.

- **DO NOT** touch glass until it is cooled
- **NEVER** allow children to touch glass
- Keep children away

- CAREFULLY SUPERVISE children in same room as fireplace.
- Alert children and adults to hazards of high temperatures.

High temperatures may ignite clothing or other flammable materials.

- Keep clothing, furniture, draperies and other flammable materials away.
- Do NOT operate with protective barriers open or removed.
- The doors must remain closed if children will be present during the operation of the fireplace.
- The doors may be made operable per these instructions. This may be done only upon request of a person responsible for the use and operation of the fireplace.
- The doors can be returned to the locked position following these instructions.
- These instructions are to be left with a person responsible for the use and operation of the fireplace.
- When the doors are in an operable state, the door-locking screw must be retained in the threaded nut behind doors.

Remove all materials from the packaging. It is very important to know what kind of finishing materials are going to be used on the fireplace. The doors are made to overlap finishing material up to 1 in. thick (see Figure 1).

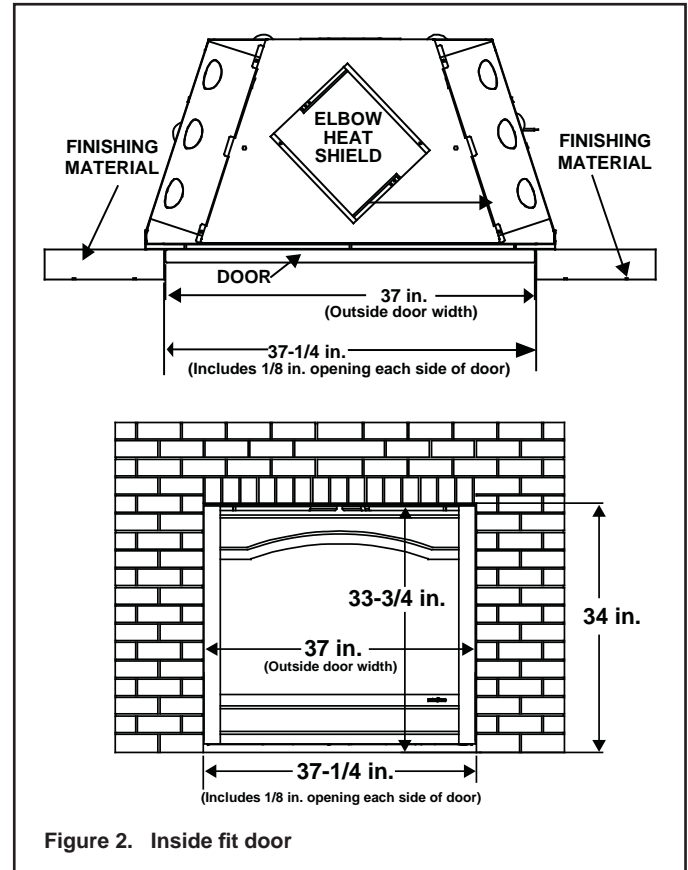
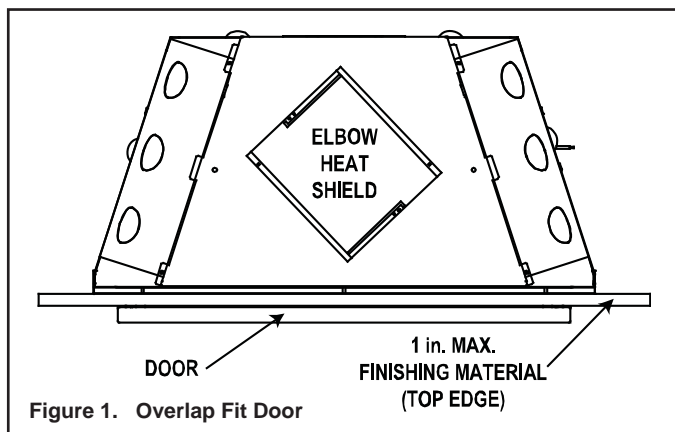


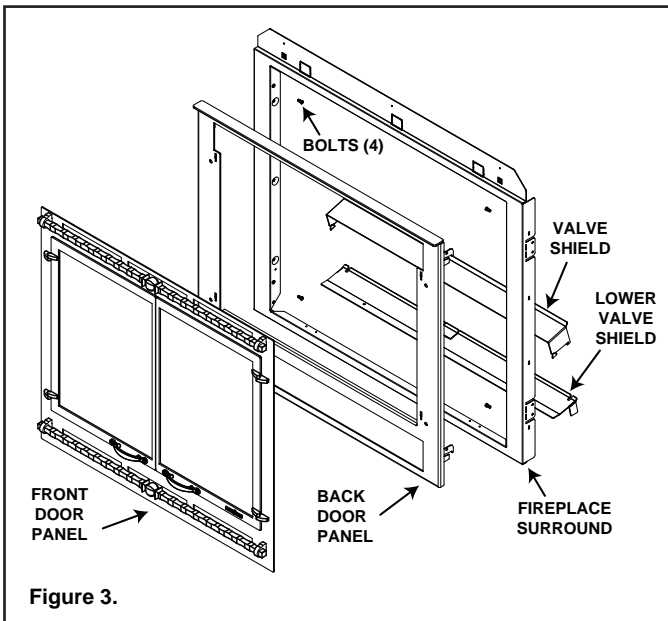
Figure 2. Inside fit door

1. Remove all materials from the packaging.
2. Install the bolts into the four threaded inserts located in the fireplace surround. Put the shoulder bolts in the lower inserts. The phillips head bolts go in the top inserts.
3. Install the lower valve shield by screwing two self tapping screws through the holes in the vanity panel into the pilot holes in the fireplace surround (see Figure 3). **Note:** When installing the Hi/Low solenoid, bend the metal tab in the lower valve shield up to clear the solenoid.
4. Install the valve shield by hooking the "J" hooks into the small slots on the back side on the lower valve shield.
5. Using a pliers, separate the front door panel and back door panel by bending up the two tabs from the top "J" hooks and lifting the front door panel to unhook. The two tabs can be bent straight or broke off.
6. Hang the back door panel on the four bolts. Push the door in until it contacts the finishing material (overlap fit) or the fireplace surround (inside fit). Tighten the top phillips bolts firmly.
7. Hang the front door panel on the back door panel by hooking the "J" hooks through the slots in the back panel.

The doors can be used as an inside fit for finishing materials over 1 in. thick (see Figure 2). A template is available to assist with proper sizing of the finishing material.

8. To unlock the doors and make them operable.

When the front door panel is off the fireplace, locate the locking bar bolted under two acorn nuts. Remove one of the acorn nuts and rotate the locking bar to a vertical position. Replace the acorn nut. Hook the front door panel on the fireplace following the above steps.



Cleaning Instructions for Doors

Use a microfiber cloth and Windex® Original Glass Cleaner or 03M003 Stove Bright® Glass Cleaner to clean the door immediately after installation to remove acids deposited by the installer or technician. Spray the cleaner onto the microfiber cloth and carefully wipe the entire surface. The door should be cleaned in this manner annually by the homeowner to remove fingerprints or other contaminants. Once oxidation of the paint pigment has occurred, cleaning will not restore the original color.

Please contact your Heat & Glo dealer with any questions or concerns.
For the location of your nearest Heat & Glo dealer, please visit www.heatnglo.com.
Heat & Glo, a brand of Hearth & Home Technologies Inc.
7571 215th Street West, Lakeville, MN 55044
www.heatnglo.com