

HEAT-ZONE® WOOD AIR DUCT KIT

Part No: HEAT-ZONE-WOOD

APPROVALS

The Heat-Zone® wood air duct kit is approved to use on EPA Fireplaces 7100FP, North Star, Constitution and Pioneer-II.

INTRODUCTION

The Heat-Zone® wood accessory kit conveys warm air from the fireplace through air duct(s) to remote locations in the same room or other rooms of the building. See Figure 1. One or two Heat-Zone kits can be installed on the fireplace.

PRELIMINARY PREPARATION

1. Contents of kit:
 - 16" Snap Lock Starter pipe - cut to desired length (See Figure 2 on page 2).
 - Mounting Plate
 - Adapter
 - Fan Housing Assembly
 - Return Air Grille
 - Gasketing
 - Variable Speed Wall Rheostat
 - Fastener Package (Part number 13580)

If any parts are missing or damaged, contract your dealer before starting installation. DO NOT install a damaged kit.

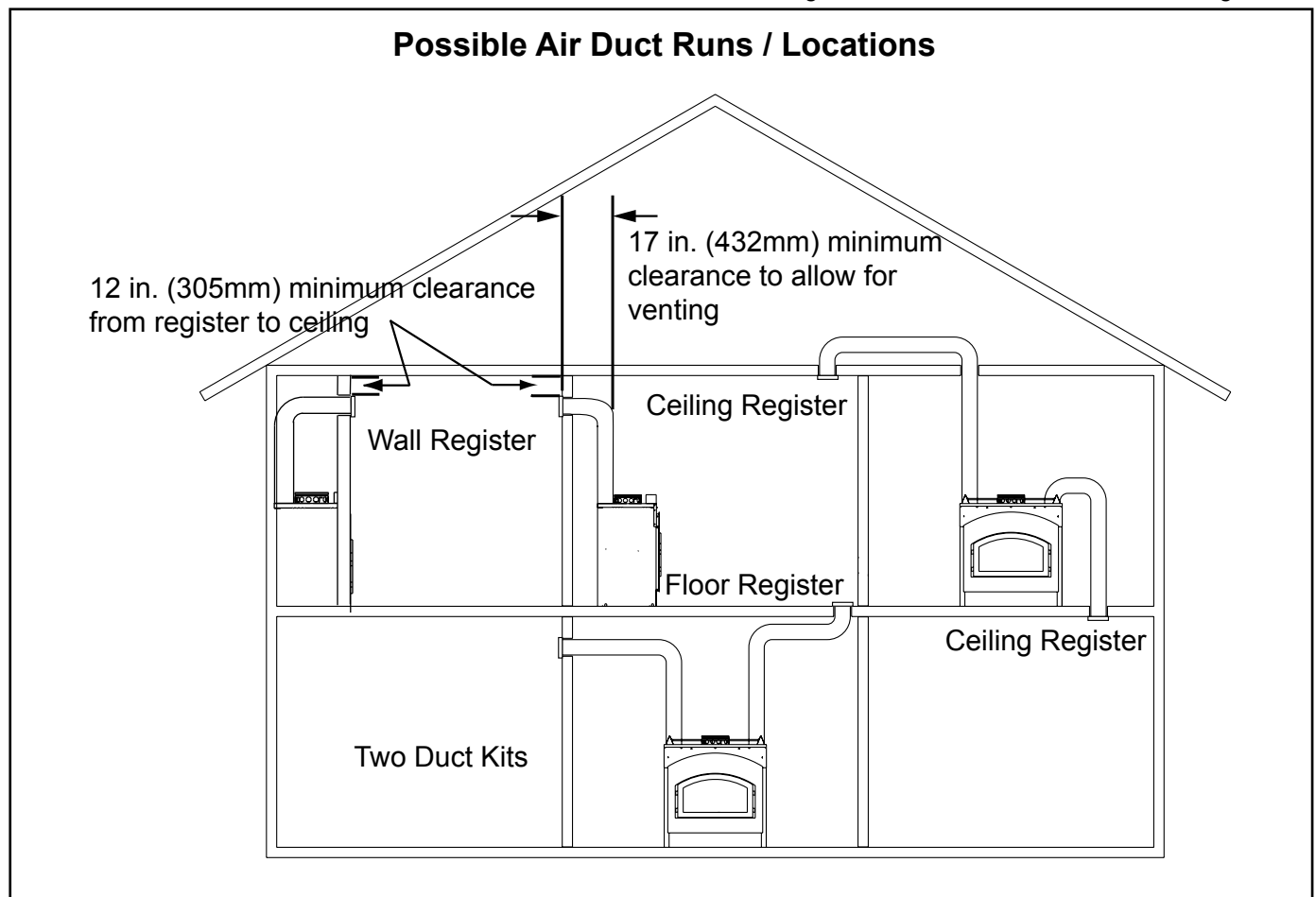


Figure 1

2. This kit is tested and safe when installed in accordance with this installation manual. It is your responsibility to read all instructions before starting installation and to follow these instructions carefully during installations.

3. Installation of this kit **MUST** be performed by a qualified service technician.

4. The Heat-Zone® wood kit is carefully engineered and must be installed only as specified. If you modify it or any of its components you will void the warranty and you may possibly cause a fire hazard. Installation must be done according to applicable local, state, provincial and/or national codes.

5. **CAUTION: ALL** wiring should be done by a qualified electrician and shall be in compliance with local codes and with the National Electric Code ANSI/NFPA No. 70-current (in the United States) or with the current CSC22.1 Canadian Electric Code (in Canada).

6. Plan the location of the fireplace and warm air duct run(s).

DUCT RUN REQUIREMENTS

MAXIMUM Duct Run = 40-ft (12m)

MINIMUM Duct Run = 36" (914mm)

DUCTING MATERIAL

6 inch (152mm) B-Vent Only

DO NOT DUCT into existing furnace plenum

MINIMUM CLEARANCE TO COMBUSTIBLES

1 inch (25mm) from the B-Vent

1/2 inch (13mm) from top & bottom of outlet box

0 inch (0mm) from the sides of outlet box

12" (305mm) from wall register to ceiling*

*(See Figure 1 on page 1).

INSTALLATION

1. Remove the knockout or cover plate from the top of the fireplace and discard it. See Figure 2.

2. Cut a 3" (76mm) hole in the insulation board as per the dimensions shown in Figure 2.

3. Determine the necessary length of starter pipe from the following table and cut as required. See Figure 3.

4. The starter pipe is shipped rolled and riveted. **NOTE: It is important the pipe length be adhered to or it will affect the performance of your fireplace.**

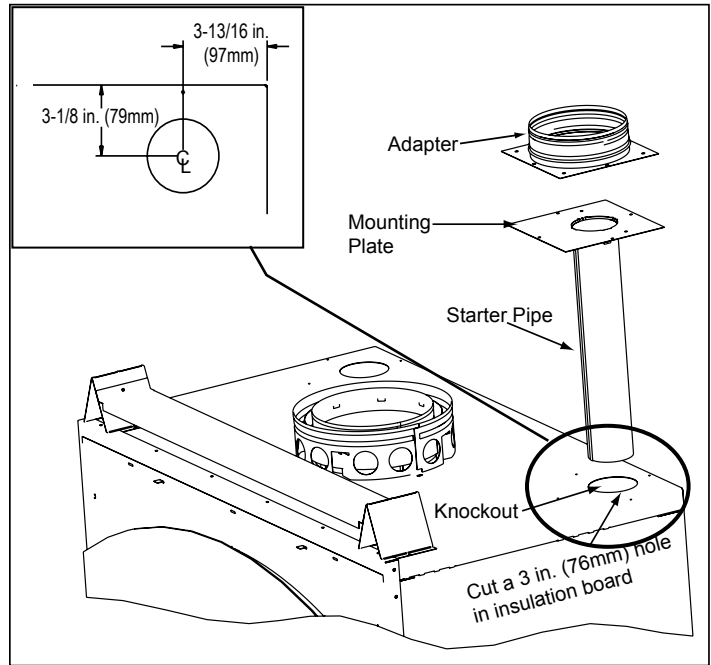


Figure 2

Run Length

20 - 40 ft (6-12m)

2" (51mm)*
*A minimum of 2" (51mm) pipe must be used to cover the raw insulation to prevent it from blowing out through the Return Air Grille.

10 - 20 ft (3 - 6m)

8" (203mm)

3 - 10 ft (1 - 3m)

No cut needed**

**Use full 16" (406mm) as supplied

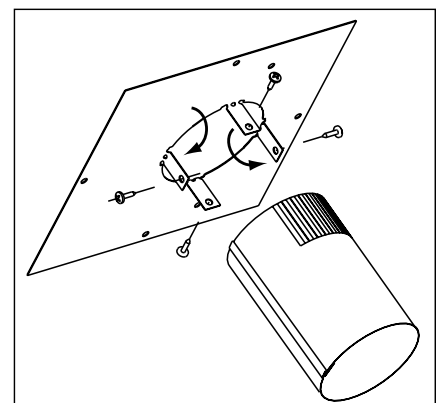
Figure 3

5. On the Mounting Plate, hand bend the tabs downward. Slide the tabs over the outside of the starter pipe. Secure with 4 sheet metal screws included in fasteners package. Figure 4

6. Slide the starter pipe into the fireplace, matching the holes in the plate to the holes in the fireplace.

7. Place the Adapter on the Mounting Plate lining up holes. Using the 4 sheet metal screws included in the kit, secure the Adapter and Mounting Plate into fire-

Figure 4



place. After securing to the fireplace, tape down the Adapter edges to the top of the fireplace with aluminum tape to prevent leakage.

8. Determine the location for the air register and fan housing assembly. Cut a 7-5/8" x 13-5/8" (143 x 346mm) hole between framing members (wall studs or floor joists). The brackets can be rotated 180° and mounted to the back side of the 2 x 4 if necessary. See Figure 6.

NOTE: The fan and electrical connections must be accessible for servicing per local code requirements.

NOTE: If the fan housing is installed in a 2 x 4 wall, the front of the housing will protrude approximately 1/4" (6mm) from the finished wall. See Figure 5.

WARNING! 1/2" (13mm) clearance to combustibles must be maintained.

8. Attach enough 6" (152mm) B-Vent as required for your installation to the fan housing. **A maximum of (4) 90° elbows is recommended.** Securely twist lock the B-Vent to the Adapter.

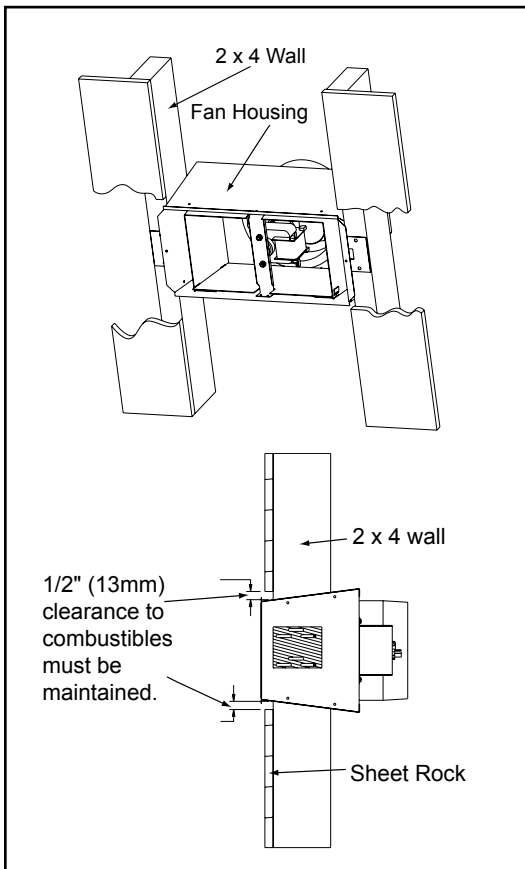


Figure 5

Also screw the B-Vent to the outlet box on the fan housing. See Figure 6. Support duct at intervals of no greater than 4 ft (1 m) as required by local code.

NOTE: Secure the duct so that clearance to the fireplace outer wrap is maintained. Tape all seams with aluminum tape 1-1/4" (32mm) minimum width or as specified by local codes.

9. Seal all the way around the inside of the Return Air Grille to prevent hot air being drawn back into the venting system using gasketing supplied with the kit. Leave 1/4" (6mm) clearance from all 4 outer edges. Trim excess gasketing. See Figure 7.

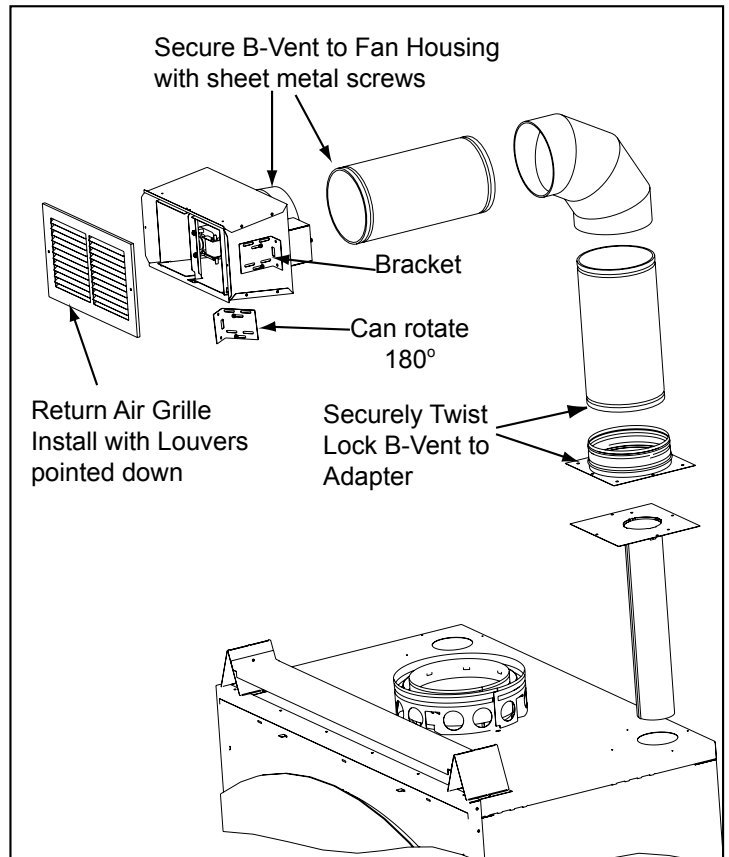


Figure 6

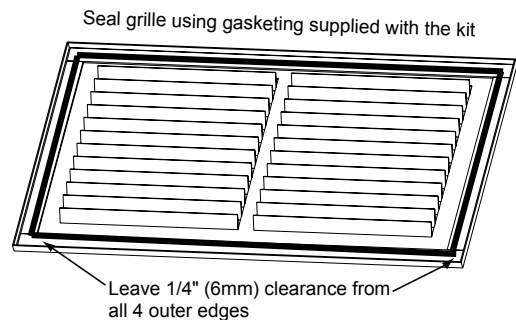


Figure 7

10. Install the variable speed wall rheostat (with setting on "OFF") in a convenient location. This switch will control the Heat-Zone fan operation.

11. Remove the Junction Box. Wire 110 VAC service TO the wall rheostat and FROM the wall rheostat to the fan Junction Box. Use wire nuts to secure the 110 VAC service wires to the hot (black) and neutral (white) fan wires and screw the 110 VAC ground wire to the Junction Box. See Figure 8.

12. Secure the Return Air Grille to the fan housing making sure it is flush. The grille must be installed with the louvers pointing down.

NOTE: DO NOT USE ADJUSTABLE REGISTERS.

13. Complete the fireplace installations as per the instructions found in your Owner's Manual.

OPERATION

1. Start the fireplace per the instructions found in your Owner's Manual and allow it to warm up.

2. Turn the wall rheostat to "ON" and adjust the variable speed based upon desired air flow.

MAINTENANCE

1. Service and maintain the fireplace as per the instructions in your Owner's Manual.

2. Keep the Return Air Grille clean and free of any blockage.

FAN REPLACEMENT

1. Remove the 2 screws from the Junction Box access panel. See Figure 9.

2. Using an 11/32 wrench, remove the 2 nuts from the fan bracket and remove the fan.

3. Install replacement fan and secure in place.

4. Reattach the Junction Box access panel.

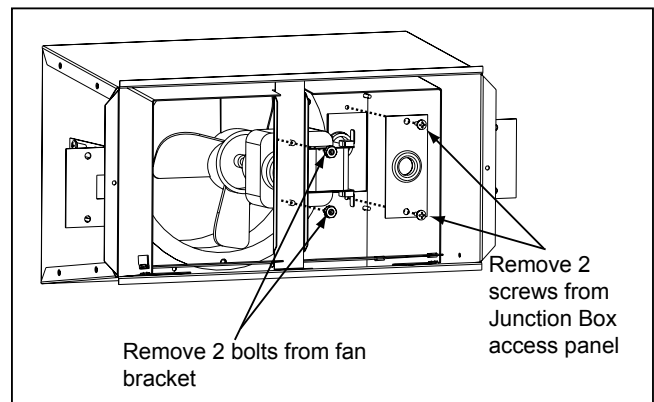


Figure 9

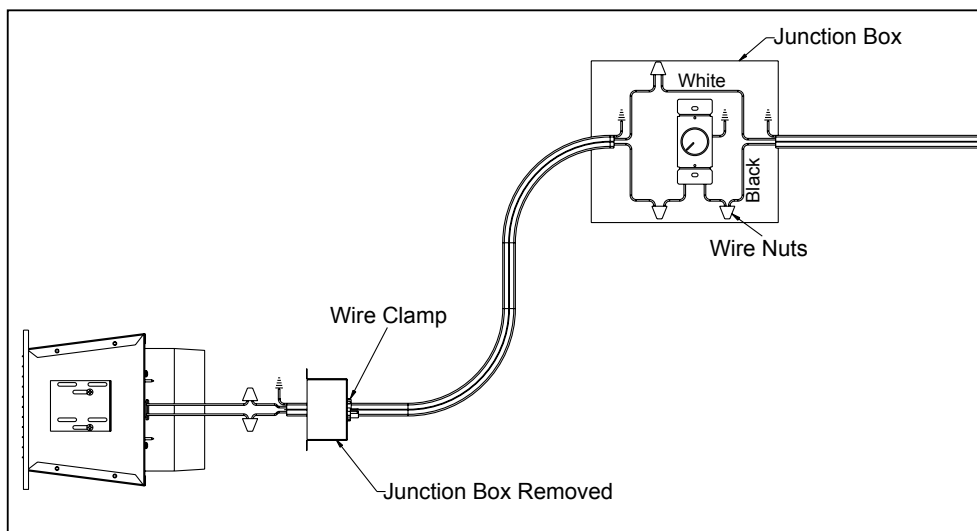


Figure 8