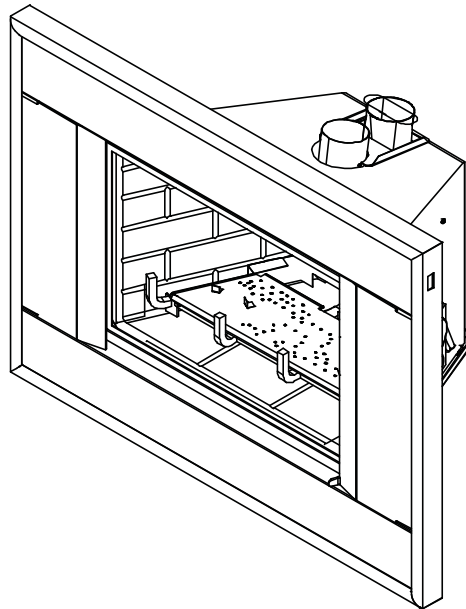


This appliance has been retired.  
Service parts pages within have been removed.  
For replacement parts, please refer to the individual  
service parts list located on the brand websites.

**HEAT-N-GLO**  
No one builds a better fire

**Model:  
CFX-ZC**



## Installers Guide

GAS-FIRED  
**UL** US  
LISTED

Underwriters  
Laboratories Listed

**WARNING: IF THE INFORMATION IN THESE INSTRUCTIONS IS NOT FOLLOWED EXACTLY, A FIRE OR EXPLOSION MAY RESULT CAUSING PROPERTY DAMAGE, PERSONAL INJURY, OR DEATH.**

- Do not store or use gasoline or other flammable vapors and liquids in the vicinity of this or any other appliance.
- **What to do if you smell gas**
  - Do not try to light any appliance.
  - Do not touch any electrical switch.
  - Do not use any phone in your building.
  - Immediately call your gas supplier from a neighbor's phone. Follow the gas supplier's instructions.
  - If you cannot reach your gas supplier, call the fire department.
- Installation and service must be performed by a qualified installer, service agency, or the gas supplier.

**READ THIS MANUAL BEFORE INSTALLING OR OPERATING THIS APPLIANCE. THIS *INSTALLERS GUIDE* MUST BE LEFT WITH APPLIANCE FOR FUTURE REFERENCE.**

**WARNING: IMPROPER INSTALLATION, ADJUSTMENT, ALTERATION, SERVICE OR MAINTENANCE CAN CAUSE INJURY OR PROPERTY DAMAGE. REFER TO THIS MANUAL. FOR ASSISTANCE OR ADDITIONAL INFORMATION CONSULT A QUALIFIED INSTALLER, SERVICE AGENCY, OR THE GAS SUPPLIER.**

1. This appliance may be installed in an after-market, permanently located, manufactured (mobile) home, where not prohibited by local codes.
2. This appliance is only for use with the type of gas indicated on the rating plate. This appliance is not convertible for use with other gases, unless a certified kit is used.


Printed in U.S.A. Copyright 2003


Heat-N-Glo, a division of Hearth & Home Technologies Inc.  
20802 Kensington Boulevard, Lakeville, MN 55044


Please contact your Heat-N-Glo dealer for any questions or concerns. For the number of your nearest Heat-N-Glo dealer, please call 1-888-427-3973.

This product is covered by one or more of the following patents: (United States) 4,112,913; 4,408,594; 4,422,426; 4,424,792; 4,520,791; 4,793,322; 4,852,548; 4,875,464; 5,000,162; 5,016,609; 5,076,254 5,191,877; 5,218,953; 5,328,356; 5,429,495; 5,452,708; 5,542,407; 5,613,487; (Australia) 543790; 586383; (Canada) 1,123,296; 1,297,746; 2,195,264; (Mexico) 97-0457; (New Zealand) 200265; or other U.S. and foreign patents pending.


# SAFETY AND WARNING INFORMATION


 **READ** and **UNDERSTAND** all instructions carefully before starting the installation. **FAILURE TO FOLLOW** these installation instructions may result in a possible fire hazard and will void the warranty.


 Prior to the first firing of the fireplace, **READ** the Using Your Fireplace section of the *Owners Guide*.


 **DO NOT USE** this appliance if any part has been under water. Immediately **CALL** a qualified service technician to inspect the unit and to replace any part of the control system and any gas control which has been under water.


 **THIS UNIT IS NOT FOR USE WITH SOLID FUEL.**


 Installation and repair should be **PERFORMED** by a qualified service person. The appliance and venting system should be **INSPECTED** before initial use and at least annually by a professional service person. More frequent cleaning may be required due to excessive lint from carpeting, bedding material, etc. It is **IMPERATIVE** that the unit's control compartment, burners, and circulating air passageways **BE KEPT CLEAN** to provide for adequate combustion and ventilation air.


 Always **KEEP** the appliance clear and free from combustible materials, gasoline, and other flammable vapors and liquids.


 **NEVER OBSTRUCT** the flow of combustion and ventilation air. Keep the front of the appliance **CLEAR** of all obstacles and materials for servicing and proper operations.


 Due to the high temperature, the appliance should be **LOCATED** out of traffic areas and away from furniture and draperies. Clothing or flammable material **SHOULD NOT BE PLACED** on or near the appliance.


 Children and adults should be **ALERTED** to the hazards of high surface temperature and should **STAY AWAY** to avoid burns or clothing ignition. Young children should be **CAREFULLY SUPERVISED** when they are in the same room as the appliance.


 These units **MUST** use one of the vent systems described in the Installing the Fireplace section of the *Installers Guide*. **NO OTHER** vent systems or components **MAY BE USED**.


 This gas fireplace and vent assembly **MUST** be vented directly to the outside and **MUST NEVER** be attached to a chimney serving a separate solid fuel burning appliance. Each gas appliance **MUST USE** a separate vent system. Common vent systems are **PROHIBITED**.


 **INSPECT** the external vent cap on a regular basis to make sure that no debris is interfering with the air flow.


 The glass door assembly **MUST** be in place and sealed, and the trim door assembly **MUST** be in place on the fireplace before the unit can be placed into safe operation.


 **DO NOT OPERATE** this appliance with the glass door removed, cracked, or broken. Replacement of the glass door should be performed by a licensed or qualified service person. **DO NOT** strike or slam the glass door.

 The glass door assembly **SHALL ONLY** be replaced as a complete unit, as supplied by the gas fireplace manufacturer. **NO SUBSTITUTE** material may be used.

 **DO NOT USE** abrasive cleaners on the glass door assembly. **DO NOT ATTEMPT** to clean the glass door when it is hot.

 Turn off the gas before servicing this appliance. It is recommended that a qualified service technician perform an appliance check-up at the beginning of each heating season.

 Any safety screen or guard removed for servicing must be replaced before operating this appliance.

 **DO NOT** place furniture or any other combustible household objects within 36 inches of the fireplace front.

# TABLE OF CONTENTS

|  |           |
|--|-----------|
| <b>Safety and Warning Information .....</b>                      | <b>2</b>  |
| <b>◆ Service Parts List .....</b>                                | <b>4</b>  |
| <b>Section 1: Approvals and Codes .....</b>                      | <b>6</b>  |
| Appliance Certification .....                                    | 6         |
| Installation Codes .....   | 6         |
| <b>◆ High Altitude Installations .....</b>                       | <b>6</b>  |
| <b>Section 2: Getting Started .....</b>                          | <b>7</b>  |
| Introducing the Heat-N-Glo Gas Appliances .....                  | 7         |
| Pre-installation Preparation .....                               | 7         |
| Venting and Installation .....                                   | 7         |
| <b>Section 3: Installing the Insert .....</b>                    | <b>9</b>  |
| Step 1 Installing the Vent System .....                          | 9         |
| Step 2 Positioning, Leveling, and Securing the Insert .....      | 13        |
| Step 3 The Gas Control Systems .....                             | 13        |
| Step 4 The Gas Supply Line .....                                 | 13        |
| Step 5 Gas Pressure Requirements .....                           | 14        |
| Step 6 Wiring the Appliance .....                                | 14        |
| Step 7 Installing Logs and Ember Material .....                  | 15        |
| Positioning the Logs .....                                       | 15        |
| Placing the Ember Material .....                                 | 15        |
| Step 8 Installing Trim Surround .....                            | 15        |
| Step 9 Before Lighting the Appliance .....                       | 16        |
| Step 10 Lighting the Appliance .....                             | 16        |
| After the Installation .....                                     | 16        |
| <b>Section 4: Maintaining and Servicing Your Appliance .....</b> | <b>17</b> |

◆ = Contains updated information.

# 1

## Approvals and Codes

---

### Appliance Certification

The Heat-N-Glo appliance models discussed in this *Installers Guide* have been tested to certification standards and listed by the applicable laboratories.

| Certification      |                                  |
|--------------------|----------------------------------|
| <b>MODEL:</b>      | CFX-ZC                           |
| <b>LABORATORY:</b> | Underwriters Laboratories        |
| <b>TYPE:</b>       | Direct Vent Gas Fireplace Heater |
| <b>STANDARD:</b>   | ANSI Z21.88•CSA2.33•UL307B       |

### Installation Codes

The appliance installation must conform to local codes. Before installing the appliance, consult the local building code agency to ensure that you are in compliance with all applicable codes, including permits and inspections.

In the absence of local codes, the fireplace installation must conform to the National Fuel Gas Code ANSI Z223.1 (in the United States) or the CAN/CGA-B149 Installation Codes (in Canada). The appliance must be electrically grounded in accordance with local codes or, in the absence of local codes with the National Electric Code ANSI/NFPA No. 70 (in the United States), or to the CSA C22.1 Canadian Electric Code (in Canada).

These models may be installed in a bedroom or bed-sitting room in the U.S.A. and Canada.

### High Altitude Installations

U.L. Listed gas appliances are tested and approved without requiring changes for elevations from 0 to 2,000 feet in the U. S. A. and in Canada.

When installing this appliance at an elevation above 2,000 feet, it may be necessary to decrease the input rating by changing the existing burner orifice to a smaller size. Input rate should be reduced by 4% for each 1000 feet above a 2000 foot elevation in the U.S.A. or 10% for elevations between 2000 and 4500 feet in Canada. If the heating value of the gas has been reduced, these rules do not apply. To identify the proper orifice size, check with the local gas utility.

If installing this appliance at an elevation above 4,500 feet (in Canada), check with local authorities.



Heat-N-Glo Quality  
Systems registered  
by SGS ICS

# 2

## Getting Started

### Introducing the Heat-N-Glo Gas Appliances

Heat-N-Glo direct vent gas appliances are designed to operate with all combustion air siphoned from outside of the building and all exhaust gases expelled to the outside.

The information contained in this *Installers Guide*, unless noted otherwise, applies to all models and gas control systems. Gas appliance diagrams, including the dimensions, are shown in this section.

### Pre-install Preparation

This gas insert fireplace and its components are tested and safe when installed in accordance with this *Installers Guide*. Report to your dealer any parts damaged in shipment, particularly the condition of the glass. **Do not install any unit with damaged, incomplete, or substitute parts.**

The vent system components and trim surrounds are shipped in separate packages. The gas logs are packaged separately and must be field installed.

**Read all of the instructions before starting the installation. Follow these instructions carefully during the installation to ensure maximum safety and benefit. Failure to follow these instructions will void the owner's warranty and may present a fire hazard.**

The Heat-N-Glo Warranty will be voided by, and Heat-N-Glo disclaims any responsibility for, the following actions:


- Installation of any damaged fireplace or vent system component.
- Modification of the fireplace or direct vent system.
- Installation other than as instructed by Heat-N-Glo.
- Improper positioning of the gas logs or the glass door.
- Installation and/or use of any component part not manufactured and approved by Heat-N-Glo, not withstanding any independent testing laboratory or other party approval of such component part or accessory.

**ANY SUCH ACTION MAY POSSIBLY CAUSE A FIRE HAZARD.**


### VENTING AND INSTALLATION

1. Heat -N-Glo gas inserts are designed for recessed installations into solid fuel Masonry or Factory Built Non Combustible fireplaces that have been installed in accordance with the National, Provincial, State and local building codes.
2. Minimum fireplace opening requirements are shown in Figure 1 of this installation manual. The firebrick (refractory) can be removed from a factory built fireplace in order to gain minimum gas insert opening requirements.


 **WARNING: Under no circumstances is cutting of sheet metal surfaces allowed for installation.**

 **If the factory built fireplace has no gas access holes provided, an access hole of 1" diameter (25mm) or less may be drilled through the lower sides or bottom of the combustion chamber in a proper workmanship like manner.**

3. To assure top performance, safety and efficiency, inserts must be installed with an approved flue liner as per CAN/CGA B-149 or National Fuel Code ANSI Z223 and these instructions.

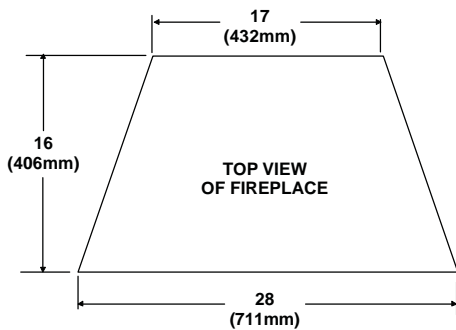
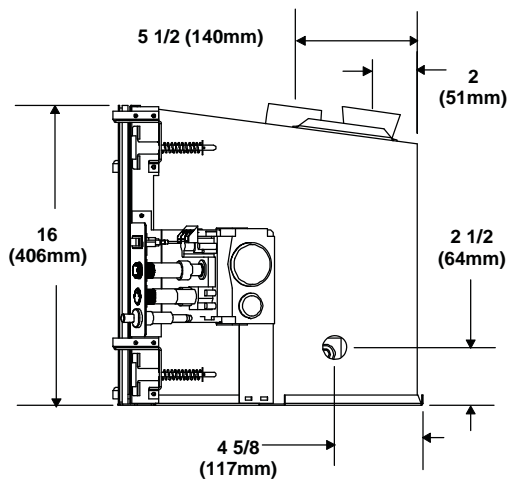
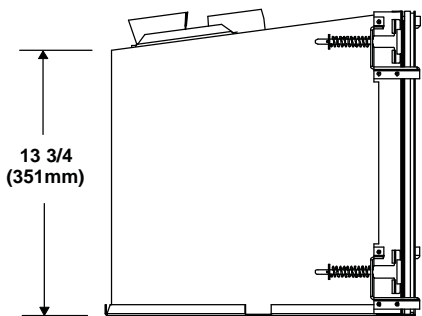
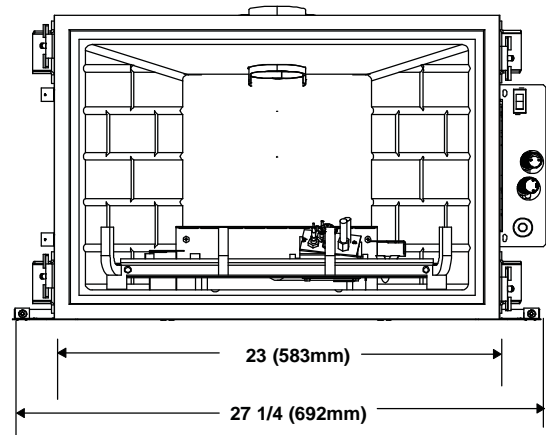
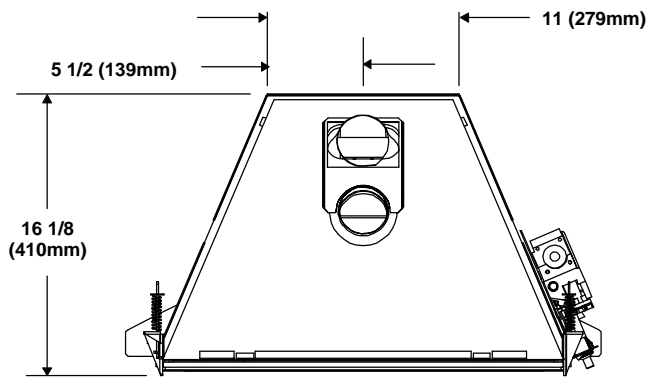
 **WARNING: THE SOLID FUEL FIREPLACE HAS BEEN CONVERTED FOR USE WITH GAS ONLY AND CANNOT BE USED FOR BURNING WOOD OR SOLID FUELS UNLESS ALL ORIGINAL PARTS HAVE BEEN REPLACED AND THE FIREPLACE HAS BEEN REAPPROVED BY THE AUTHORITY HAVING JURISDICTION.**

4. The solid fuel fireplace's flue damper must be fully locked in the open position or removed for installation.
5. The chimney must be cleaned and in good working order and constructed of noncombustible materials.
6. Make sure that all chimney cleanouts fit properly so air cannot leak into the chimney.
7. Install the insert without the trim surround and make all gas, venting, and electrical connections.
8. Install decorative trim surround. Please refer to instructions included with the trim surround.

 **Ensure there are no obstructions to side air passages by the decorative trim once it is installed on insert.**

When planning a fireplace insert installation, it's necessary to determine:

- The vent system configuration to be used.
- Gas supply piping.
- Whether optional accessories—devices such as a wall switch or remote control—are desired.



**MINIMUM FIREPLACE SIZE**

**FRONT WIDTH : 28" (711mm)**

**REAR WIDTH : 17" (432mm)**

**DEPTH : 16" (406mm)**

**\* HEIGHT : 16 1/4" (413mm)**

**\* NOTE: If exhaust collar on insert and fireplace damper do not line up, add 4 inches (102mm) to minimum fireplace height for bends in vent pipe.**

**Figure 1. Diagram of the CFX-ZC**

# 3

## Installing the Insert

### Step 1. Installing the Vent System

#### Vent System Installation Precautions

Before starting installation of vent kits, the installer should read these instructions and the Vent Kit Instructions to ensure that a proper vent installation is completed.

Consult your local building codes before beginning the installation.

**! WARNING: THIS GAS INSERT AND VENT ASSEMBLY MUST BE VENTED DIRECTLY TO THE OUTSIDE AND MUST NEVER BE ATTACHED TO A CHIMNEY SERVING A SEPARATE SOLID FUEL BURNING APPLIANCE. EACH GAS APPLIANCE MUST USE A SEPARATE VENT SYSTEM. COMMON VENT SYSTEMS ARE PROHIBITED.**

#### Vent System Approvals

| Model: | Vent System             |
|--------|-------------------------|
| CFX-ZC | LINK-DV30, LINK- DV4-30 |

Table 1

Table 1 and Figures 3 through 5 show the vent termination caps and systems approved for use with these models. Approved vent system terminations are labeled for identification. 3-inch diameter listed flexible aluminum and stainless steel gas vent is used for both the incoming combustion air and exhaust vent pipes. NO OTHER VENTING SYSTEMS OR COMPONENTS MAY BE USED. Detailed installation instructions are included with each vent termination kit and should be used in conjunction with this manual.

#### Horizontal Venting

The vent system on this model CANNOT be terminated horizontally.

#### Vertical Venting

The vent pipes **MUST** be connected to the proper collars on the unit **AND** the exhaust vent pipe **MUST** be connected to the termination cap or the unit will not operate. The combustion air vent pipe CAN be connected to the termination cap or it can terminate inside the chimney. The bottom opening of the chimney must be sealed around the vent pipes if the combustion air vent is NOT connected to the termination cap. See Figures 3, 4 and 5.

**NOTE:** The minimum vertical rise (exhaust vent) is 14 feet and the maximum vertical rise is 40 feet. These dimensions are measured from the starting collars of the unit to the end of the last section of vent pipe. See dimension V in Figure 3.

A vertical vent termination system installed on this model will include one (1) length of 3-inch flexible vent pipe for the combustion air, one (1) length of 3-inch flexible vent pipe for the exhaust air, one (1) pipe-to-cap adaptor, and one (1) SLK-991DA or SLK-980D Vertical Termination Cap.

**NOTE:** The damper of the masonry chimney may need to be removed to allow installation of the flexible-vent pipe.

This fireplace has been altered to accommodate an insert and should be inspected by a qualified person prior to re-use as a conventional fireplace.

**NOTE:** The above label, located in the instruction package, must be affixed to the existing fireplace prior to installation.

For zero clearance factory built woodburning fireplaces, the use of kit LINK-ZC-ADP in place of the standard square flashing will allow you to mount the adaptor and cap on metal pipe. Additionally, the use of kit FLASH-DAMP will seal off the damper opening when terminating the inlet air vent pipe just above the damper. These 2 kits are recommended for zero clearance, factory built woodburning fireplaces.

#### Connecting the Vent Pipe

Install the 3" flexible vent pipe(s) down through the chimney. Secure 3" collar to the end of the flexible vent pipe for exhaust using 3 screws. Attach provided 3' section of stainless steel flexible vent pipe to this collar. Slide the gas insert into place, and position any excess flexible vent pipe back up into the chimney.

**NOTE:** The 3' section of stainless steel flexible pipe may be cut to aid installation provided that a minimum of 2' is maintained.

Using the provided T-handle pull down tool, reach through exhaust opening in exhaust collar by its center pin. Pull down until exhaust collar (or collar attachment bracket) extends through exhaust opening. The collar should slip fit through the molded 3 inch opening. Carefully readjust liners to align if necessary.

Secure in place by sliding retainer pin through the provided holes in the exhaust collar. See Figure 4.

**! WARNING: DO NOT FORCE COLLAR ATTACHMENT INTO PLACE. THE FIREPLACE IS MADE OF A FRAGILE MATERIAL, AND MAY BREAK. READJUST FLEXIBLE VENT PIPES IF NECESSARY.**

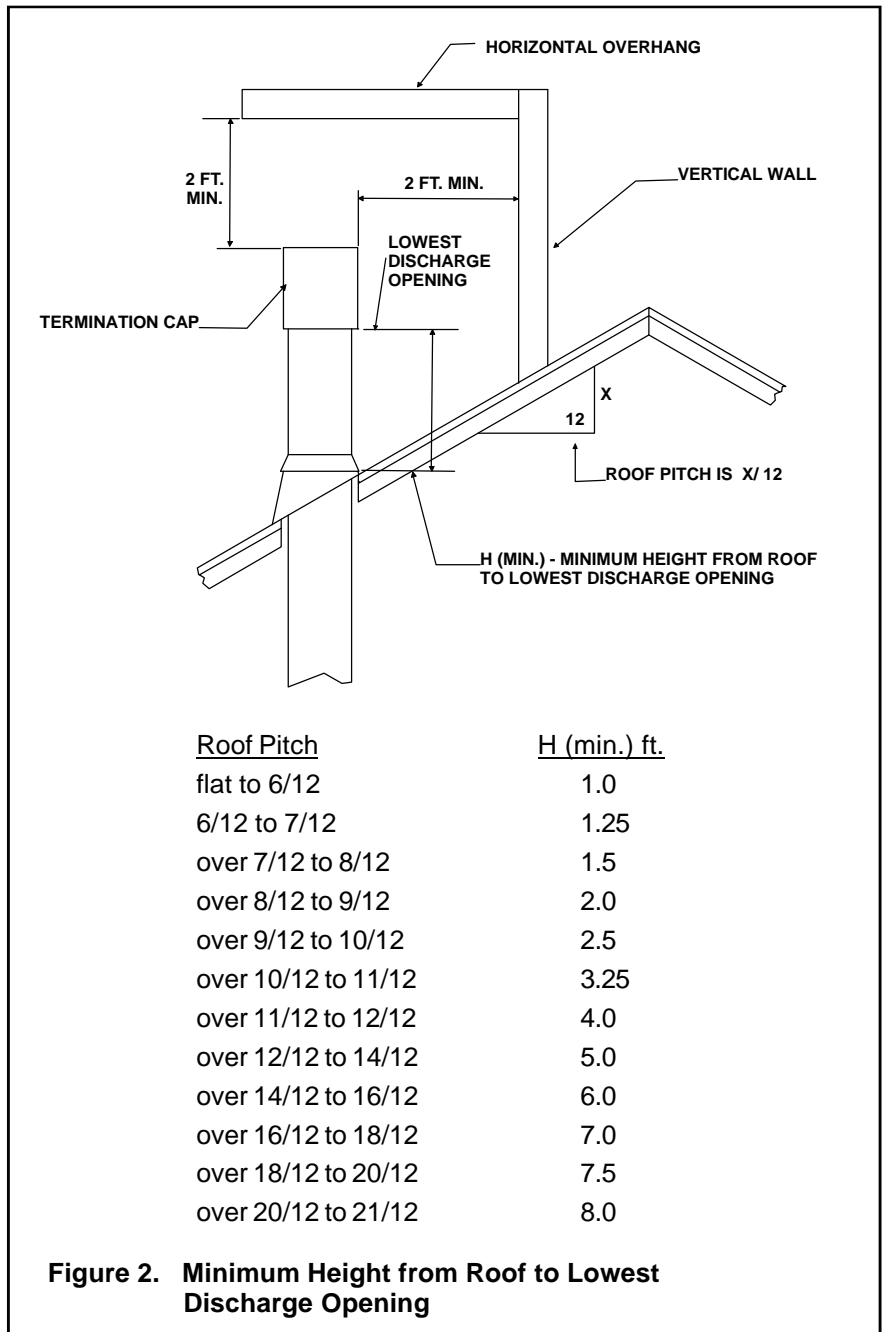
Attach the pipe-to-cap adaptor to the termination cap and to the top of the flexible vent pipe and set the cap in place at the top of the chimney. See Figures 3, 4 and 5.

**CAUTION: TO AVOID DOWNDRAFTS AND/OR COLD AIR PROBLEMS, IT IS RECOMMENDED TO SEAL OFF THE AREA BETWEEN THE TERMINATION CAP AND THE TOP OF THE SOLID-FUEL CHIMNEY OPENING INTO WHICH THE VENT CAP HAS BEEN INSTALLED.**

**WHEN USING THE LINK-DV4-30 VENT SYSTEM, IT IS REQUIRED TO SEAL AROUND THE FLEXIBLE VENT PIPES IN THE DAMPER AREA. SEE FIGURE 3. USE FIBERGLASS INSULATION OR OTHER SUITABLE NON-COMBUSTIBLE MATERIAL.**

**! WARNING: MAJOR U.S. BUILDING CODES SPECIFY MINIMUM CHIMNEY AND/OR VENT HEIGHT ABOVE THE ROOF TOP. THESE MINIMUM HEIGHTS ARE NECESSARY IN THE INTEREST OF SAFETY. SEE THE FOLLOWING DIAGRAM FOR MINIMUM HEIGHTS, PROVIDED THE TERMINATION CAP IS AT LEAST 2-FEET FROM A VERTICAL WALL AND 2-FEET BELOW A HORIZONTAL OVERHANG.**

**NOTE:** This also pertains to vertical vent systems installed on the outside of the building.





This option shows both exhaust and inlet air vent pipes attached to the adaptor.

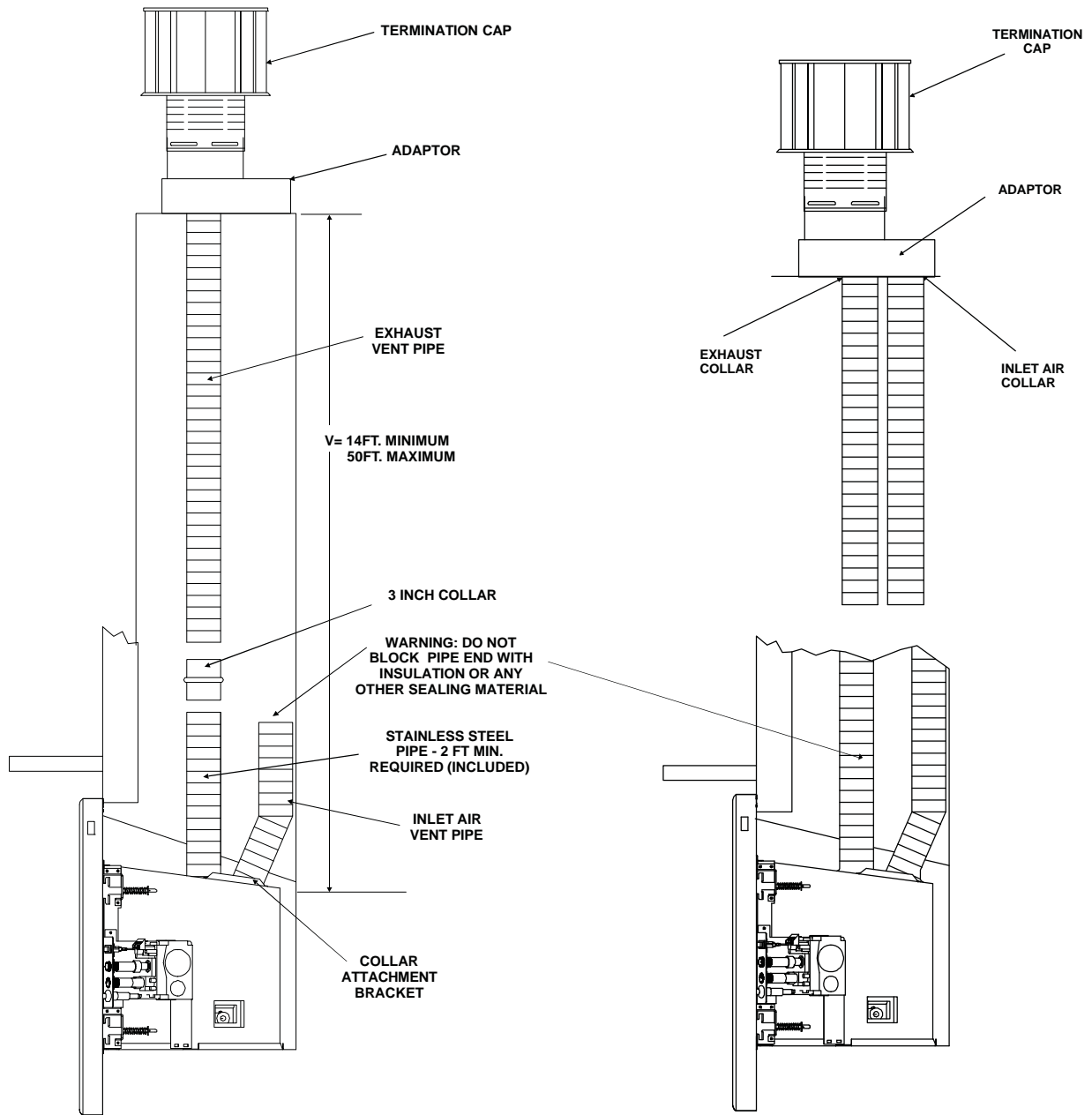
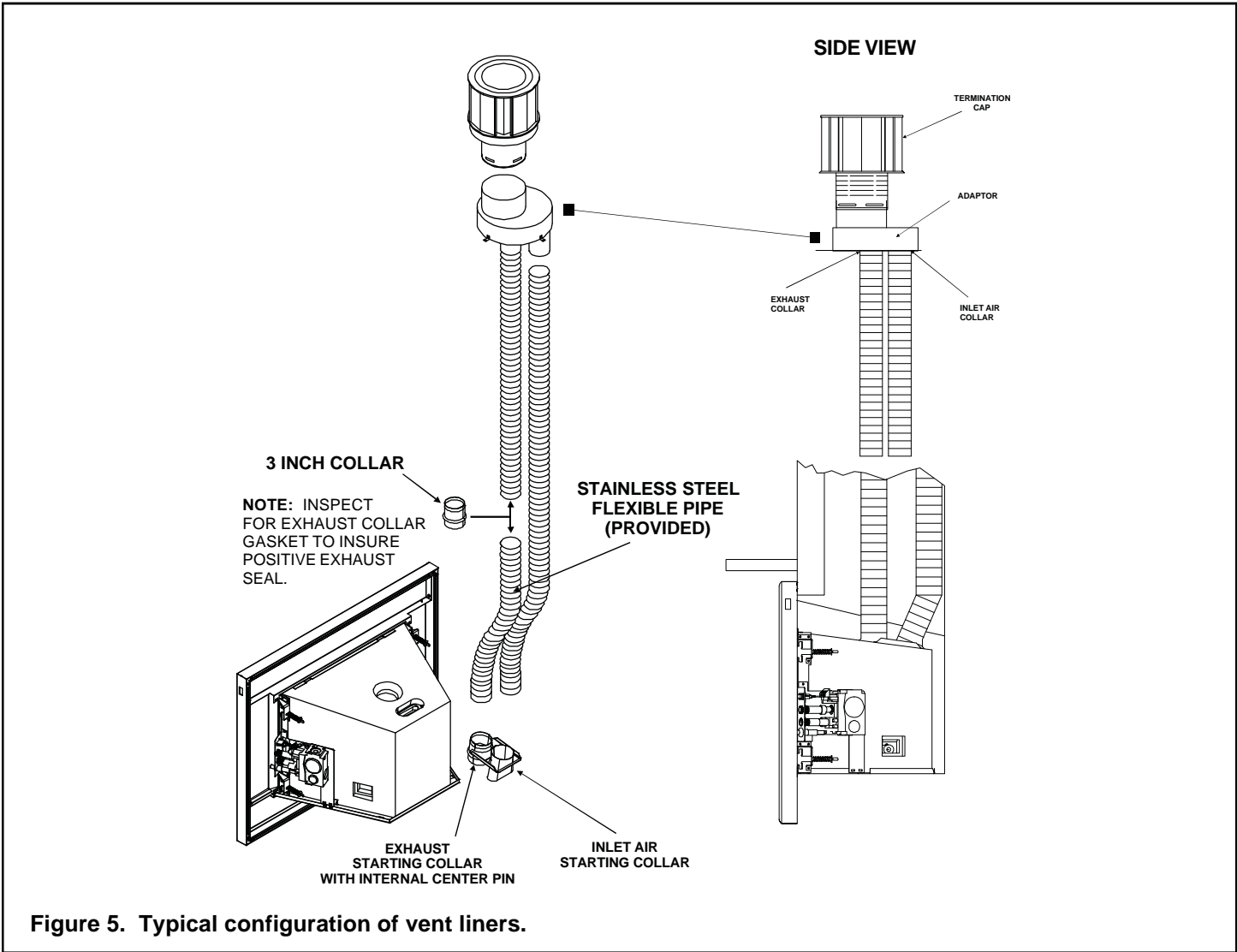
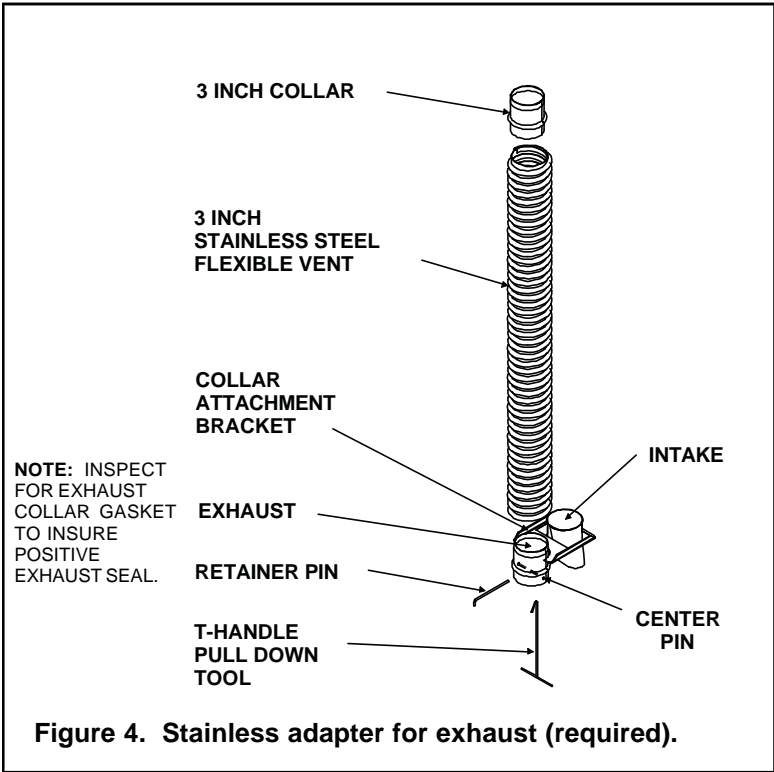


Figure 3.

**! WARNING: THE EXHAUST VENT PIPE MUST ONLY BE CONNECTED TO THE EXHAUST STARTING COLLAR OF THE UNIT AND THE CENTER COLLAR OF THE TERMINATION CAP.**

**! A MINIMUM OF 2 FEET OF STAINLESS STEEL FLEXIBLE LINER MUST BE ATTACHED DIRECTLY TO THE EXHAUST COLLAR ON THE COLLAR ATTACHMENT BRACKET.**

**! THE INLET AIR PIPE MUST ONLY BE CONNECTED TO THE INLET AIR COLLAR OF THE UNIT AND EITHER ATTACHED TO THE INLET AIR COLLAR OF THE TERMINATION CAP OR TERMINATED IN THE CHIMNEY.**



## Step 2. Positioning, Leveling, and Securing the Insert

- Place the insert into position.
- Level the insert from side to side and from front to back. Use the leveling legs included with the manual bag if necessary. Screw the legs into the nuts installed in the bottom rear of the insert. Turn legs in until insert is level.

## Step 3. The Gas Control System



**WARNING: THIS UNIT IS NOT FOR USE WITH SOLID FUEL.**

This model uses a standing pilot ignition type of gas control system.

### Standing Pilot Ignition System

This system includes millivolt control valve, standing pilot, thermopile/thermocouple flame sensor, and piezo ignitor.



**WARNING: 110-120 VAC MUST NEVER BE CONNECTED TO A CONTROL VALVE IN A MILLIVOLT SYSTEM.**

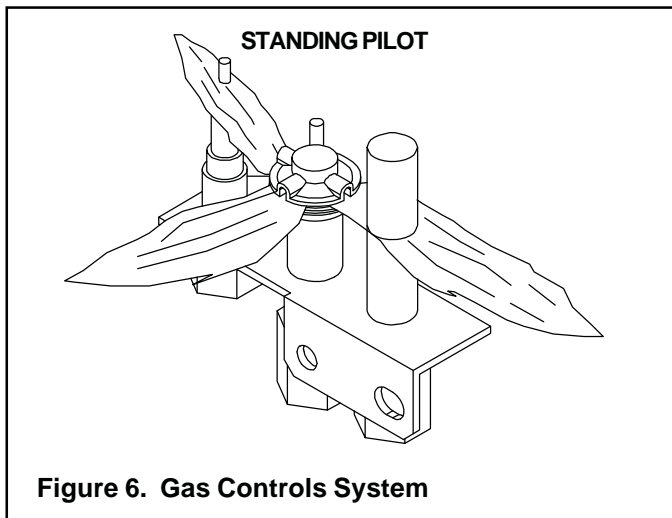


Figure 6. Gas Controls System

## Step 4. The Gas Supply Line

**NOTE: Have the gas supply line installed in accordance with local building codes by a qualified installer approved and/or licensed as required by the locality. (In the state of Massachusetts installation must be performed by a licensed plumber or gas fitter).**

**NOTE: Before the first firing of the fireplace, the gas supply line should be purged of any trapped air.**

**NOTE: Consult local building codes to properly size the gas supply line leading to the 1/2 inch (13 mm) hook-up at the unit.**

This gas fireplace is designed to accept a 1/2 inch (13 mm) gas supply line. To install the gas supply line:

- A listed (and State of Massachusetts approved) 1/2 inch (13mm) tee-handle manual shut-off valve and a listed flexible gas connector are connected to the 1/2 inch (13mm) inlet of the control valve. **NOTE:** If substituting for these components, please consult local codes for compliance.
- Locate the gas line access hole in the outer casing of the fireplace.
- Open the lower grille, insert the gas supply line through the gas line hole, and connect it to the shut-off valve.
- When attaching the pipe, support the control so that the lines are not bent or torn.
- After the gas line installation is complete, use a soap solution to carefully check all gas connections for leaks.



**WARNING: DO NOT USE AN OPEN FLAME TO CHECK FOR GAS LEAKS.**

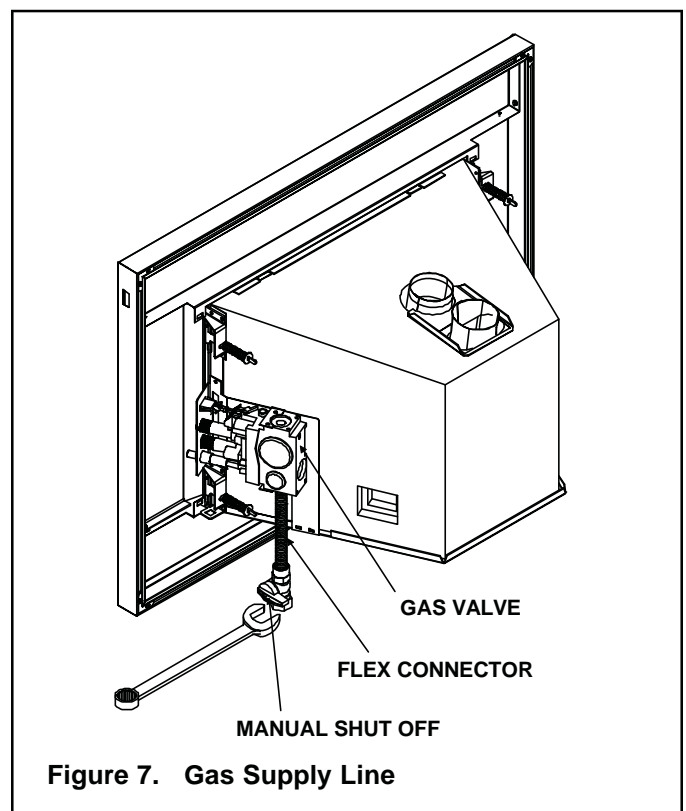


Figure 7. Gas Supply Line

## Step 5. Gas Pressure Requirements

Pressure requirements for these gas appliances are shown in the table below.

| Pressure                   | Natural Gas      | Propane          |
|----------------------------|------------------|------------------|
| Minimum Inlet Pressure     | 5.0 inches w.c.  | 11.0 inches w.c. |
| Maximum Inlet Gas Pressure | 14.0 inches w.c. | 14.0 inches w.c. |
| Manifold Pressure          | 3.5 inches w.c.  | 10.0 inches w.c. |

A one-eighth (1/8) inch (3 mm) N.P.T. plugged tapping is provided on the inlet and outlet side of the gas control for a test gauge connection to measure the manifold pressure. Use a small flat blade screwdriver to crack open the screw in the center of the tap. Position a rubber hose over the tap to obtain the pressure reading.

The fireplace and its individual shut-off valve must be disconnected from the gas supply piping system during any pressure testing of the system at test pressures in excess of one-half (1/2) psig (3.5 kPa).

The fireplace must be isolated from the gas supply piping system by closing its individual shut-off valve during any pressure testing of the gas supply piping system at test pressures equal to or less than one-half (1/2) psig (3.5 kPa).

## Step 6. Wiring the Fireplace

**NOTE:** Electrical wiring must be installed by a licensed electrician.

**CAUTION: DISCONNECT REMOTE CONTROLS IF ABSENT FOR EXTENDED TIME PERIODS TO PREVENT ACCIDENTAL APPLIANCE OPERATION.**

### For Standing Pilot Ignition Wiring Appliance Requirements

- This appliance **DOES NOT** require 110-120 VAC to operate.



**WARNING: DO NOT CONNECT 110-120 VAC TO THE GAS CONTROL VALVE OR THE APPLIANCE WILL MALFUNCTION AND THE VALVE WILL BE DESTROYED.**

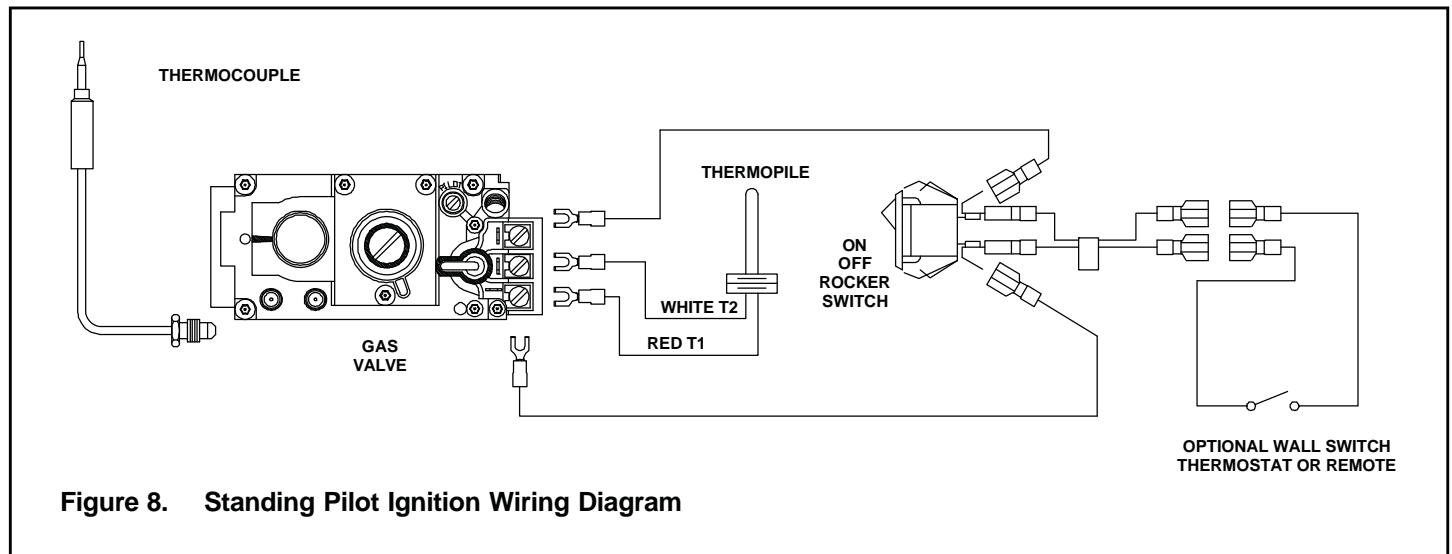
### Wall Switch

Position the wall switch in the desired position on a wall. Run a maximum of 25 feet (7.8 m) or less length of 18 A.W.G. minimum wire and connect it to the fireplace valve pigtails.



**WARNING: DO NOT CONNECT 110-120 VAC TO THE WALL SWITCH OR THE CONTROL VALVE WILL BE DESTROYED.**

**CAUTION: LABEL ALL WIRES PRIOR TO DISCONNECTION WHEN SERVICING CONTROLS. WIRING ERRORS CAN CAUSE IMPROPER AND DANGEROUS OPERATION. VERIFY PROPER OPERATION AFTER SERVICING.**



## Step 7. Installing Logs and Ember Material

### Positioning the Logs

If the gas logs have been factory installed they should not need to be positioned.

If the logs have been packaged separately, refer to the installation instructions that accompany the logs. **Save the log instructions with this manual.**

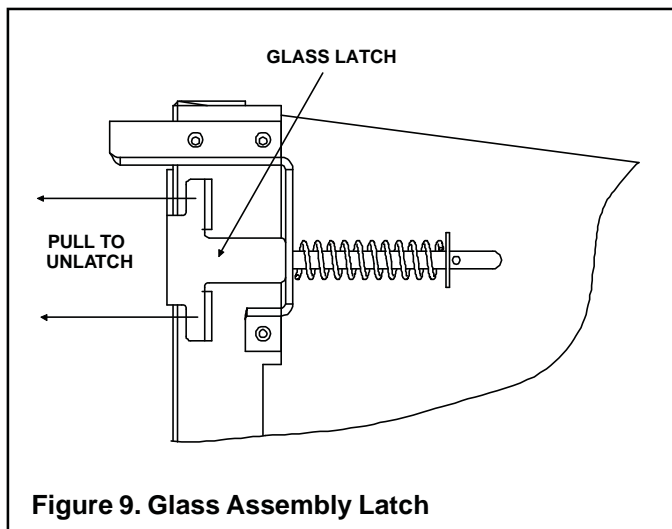
If sooting occurs, the logs might need to be repositioned slightly to avoid excessive flame impingement.

### Placing the Ember Material

Three separate bags of ember material are shipped with this gas appliance. The bag labeled Golden Ember (GE-93) is flame colorant material. The bags labeled Glowing Ember (050-721) is standard glowing ember material.

To place the ember material:

- Open the left and right door panels on surround.
- Unlatch the latches at the right and left sides of the glass door by pulling latch towards you and away from fireplace (see Figure 9).
- Remove the glass door from the unit.



- Place a dime size piece of glowing ember material near port holes in burner top, sides and front (see Figure 10).

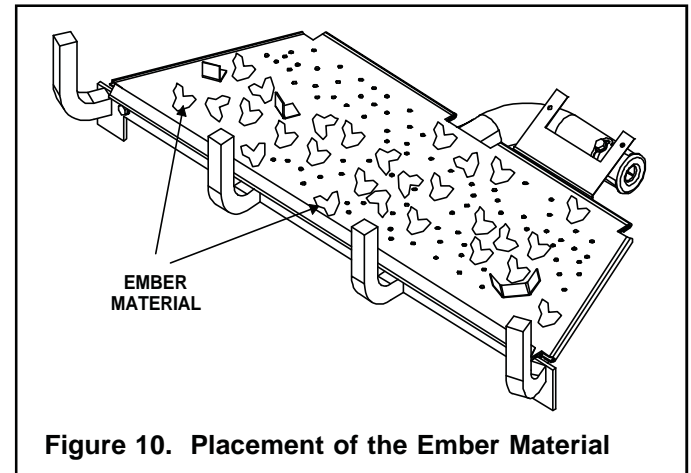


Figure 10. Placement of the Ember Material

- Space ember pieces about a 1/2 inch apart.
- Never press embers into burner ports.
- Cover the top of the burner with a single layer of ember material. Then sprinkle GE-93 (Golden Ember) on top of the burner.
- Save the remaining ember materials for use during fireplace servicing. The embers provided are sufficient for 2 to 4 applications.
- Replace the glass door.
- Re-install and latch the glass door.

## Step 8. Installing Trim Surrounds

Combustible materials **MUST NEVER** overlap onto the front face.

**NOTE:** REMOVE GLASS DOOR ASSEMBLY FROM THE INSERT BEFORE SURROUND INSTALLATION.

1. Find the coiled low voltage wires and ON/OFF switch attached to outer right side of the insert (Figure 11).
2. Disconnect the ON/OFF switch from the low voltage wire leads, and insert the ON/OFF switch through the hole at the upper right corner of the surround - it will be retained in the hole.

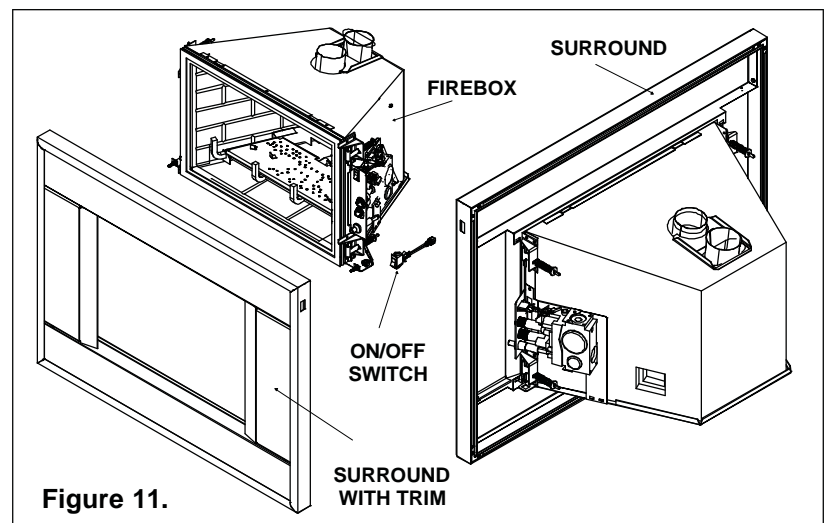


Figure 11.

3. Reconnect the low voltage wires to the ON/OFF switch.
4. Attach surround by lifting slightly above front fireplace opening, such that surround hangs on top of the front frame of the unit. The bottom should swing into place such that studs (lower corners of unit) protrude through slotted holes.
5. Secure in place with provided wing nuts.

**NOTE: PLACE THE THREE INSULATION PIECES INTO THE CAVITIES AT THE BACK OF THE SURROUND BEFORE POSITIONING THE INSERT INTO THE FACTORY-BUILT OR MASONRY FIREPLACE. THIS INSULATION WILL HELP SEAL FOR COLD AIR LEAKS.**

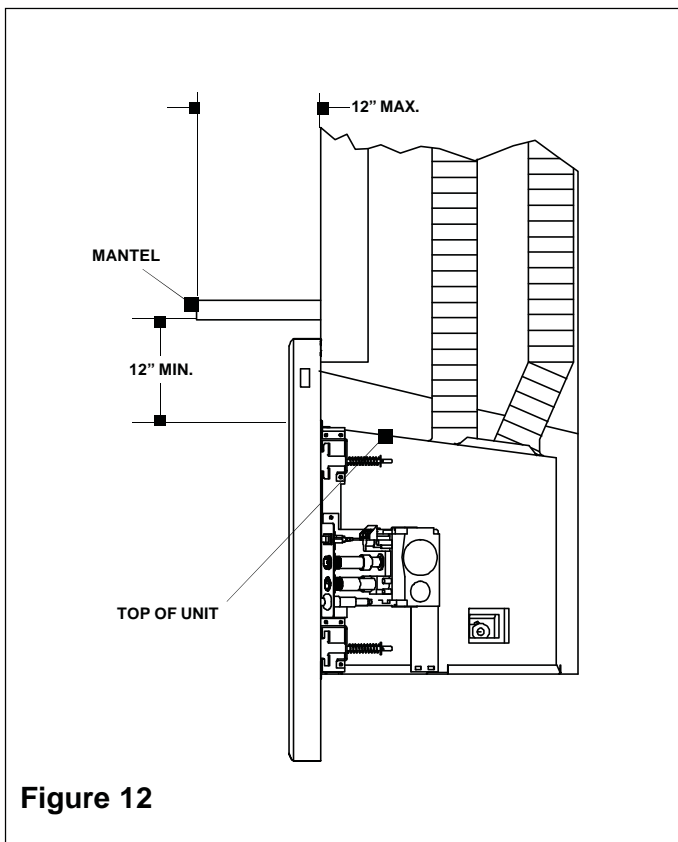


Figure 12 shows the minimum vertical and corresponding maximum horizontal dimensions of mantels or other combustible projections above the gas fireplace.

## Step 9. Before Lighting the Appliance

**Before** lighting the appliance, be sure to do the following:

**Remove all paperwork from underneath the fireplace.**

**Review safety warnings and cautions**

- Read the **Safety and Warning Information** section at the beginning of this *Installers Guide*.

**Double-check for gas leaks**

- Before lighting the appliance, double-check the unit for possible gas leaks.

**Double-check vent terminations for obstructions.**

- Before lighting the appliance, double-check the unit for possible obstructions that could be blocking the vent terminations.

**Double-check for faulty components**

- Any component that is found to be faulty **MUST BE** replaced with an approved component. Tampering with the appliance components is **DANGEROUS** and voids all warranties.

A small amount of air will be in the gas supply lines. When first lighting the appliance, it will take a few minutes for the lines to purge themselves of this air. Once the purging is complete, the appliance will light and will operate normally.

Subsequent lightings of the fireplace will not require this purging of air from the gas supply lines, **unless the gas valve has been turned to the OFF position**, in which case the air would have to be purged.

**NOTE:** The fireplace should be run 3 to 4 hours on the initial start-up. Turn it off and let it cool completely. Remove and clean the glass. Replace the glass and run the fireplace for an additional 8 hours. This will help to cure the chemicals used in the paint and logs.

## Step 10. Lighting the Appliance

You've reviewed all safety warnings, you've checked the appliance for gas leaks, you know the vent system is unobstructed, and you've checked for faulty components. Now you're ready to light the appliance.



**WARNING: PLEASE REFER TO THE USER'S MANUAL FOR ALL CAUTIONS, SAFETY, AND WARNING INFORMATION PERTAINING TO THE LIGHTING AND OPERATION OF THE APPLIANCE.**

## After the Installation



**LEAVE THIS INSTALLATION MANUAL WITH THE APPLIANCE FOR FUTURE REFERENCE.**

# 4

## Maintaining and Servicing Your Appliance

### Appliance Maintenance

Although the frequency of servicing and maintenance will depend on use and the type of installation, you should have a qualified service technician perform an appliance check-up at the beginning of each heating season. See the table below for specific guidelines regarding each fireplace maintenance task.

**IMPORTANT: TURN OFF THE GAS BEFORE SERVICING YOUR FIREPLACE.**

#### Replacing old ember material

**Frequency:** Once annually, during the checkup.

**By:** Qualified service technician.

**Task:** Brush away loose ember material near the burner. Replace old ember material with new dime-size and shape pieces of Golden Ember (DE-93) and Glowing Ember (050-721). New ember material should be placed alternately on top of the burner - a layer of Golden Ember, a layer of Glowing Ember, and so on. Save the remaining ember material and repeat this procedure at your next servicing. For more information, see **Placing Ember Material**.

#### Cleaning Burner and Controls

**Frequency:** Once annually.

**By:** Qualified service technician.

**Task:** Brush or vacuum the control compartment, fireplace logs and burner areas surrounding the logs.

#### Checking Flame Patterns, Flame Height

**Frequency:** Periodically.

**By:** Qualified service technician/Home owner.

**Task:** Make a visual check of your fireplace's flame patterns. Make sure the flames are steady - not lifting or floating. See Figure 13. The thermopile/thermocouple (standing pilot) tips should be covered with flame. See Figure 6.

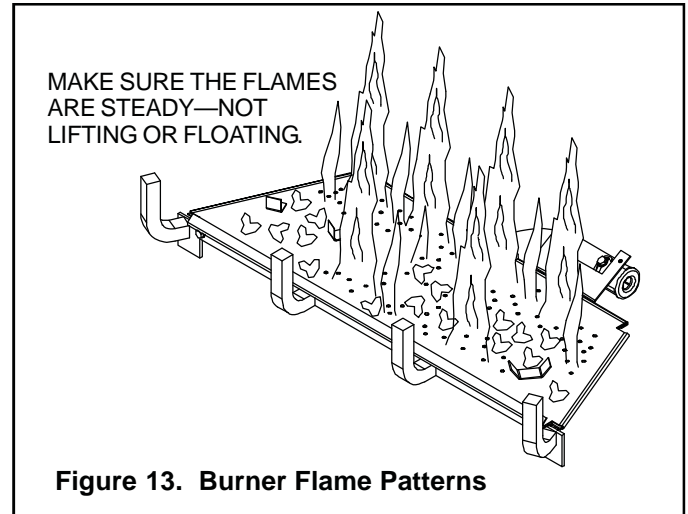


Figure 13. Burner Flame Patterns

#### Checking Vent System

**Frequency:** Before initial use and at least annually thereafter, more frequently if possible.

**By:** Qualified service technician/Home owner.

**Task:** Inspect the external vent cap on a regular basis to ensure that no debris is interfering with the flow of air. Inspect entire vent system for proper function.

#### Cleaning Glass Door

**Frequency:** After the first 3 to 4 hours of use. As necessary after initial cleaning.

**By:** Home owner.

**Task:** Remove and clean glass after the first 3 to 4 hours of use. After the initial cleaning, clean as necessary, particularly after adding new ember (flame colorant) material. Film deposits on the inside of the glass door should be cleaned off using a household glass cleaner. **NOTE: DO NOT handle or attempt to clean the door when it is hot and DO NOT use abrasive cleaners.**