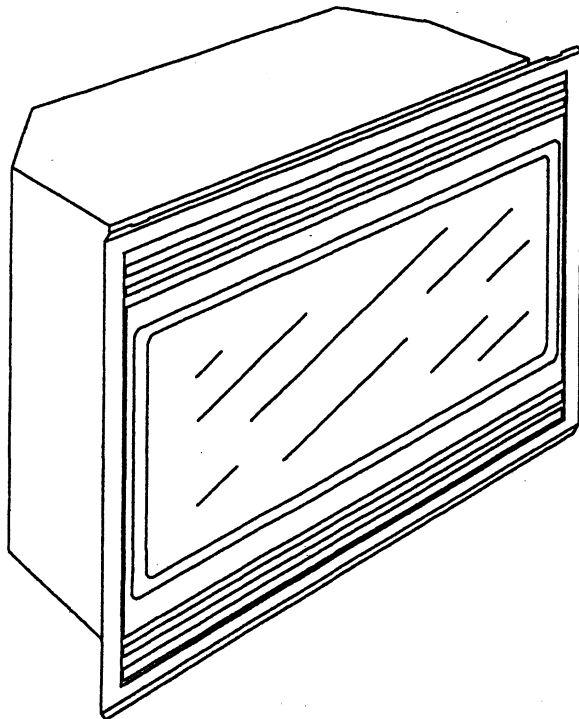
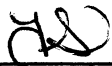


Electrafire

PRACTICAL USER'S GUIDE FOR THE HEAT-N-GLO ELECTRIC FIREPLACE MODELS 32E AND 32E-XL

Quality checked by:
Qualité vérifiée par:
Calidad verificada por:



- For replacement parts, accessories, or general information contact your local dealer or call 800-216-1039.
- For warranty repairs and service call Television and Appliance Warranty Inc. at 800-824-5090 ext.330 in U.S.A. or 800-774-9992 ext.330 in Canada.



20802 Kensington Blvd.
Lakeville, MN 55044






















Approved for use in the United States and Canada

7203670100r03
565-900D-01/00

SAFETY AND WARNING INFORMATION

PLEASE RETAIN THIS USER'S GUIDE FOR FUTURE REFERENCE

When using electrical appliances, basic precautions should always be followed to reduce the risk of fire, electric shock, and injury to persons, including the following:

-  Read all instructions before using this fireplace.
-  This fireplace is hot when in use. To avoid burns, do not let bare skin touch hot surfaces. The grille directly in front of the heater outlet becomes hot during heater operation. Keep combustible materials, such as furniture, pillows, bedding, papers, clothes and curtains at least 3 feet (.9m) from the front of unit.
-  Extreme caution is necessary when any heater is used by or near children or invalids and whenever the fireplace is left operating and unattended.
-  Always unplug fireplace when not in use.
-  Do not operate any fireplace with a damaged cord or plug, or if the heater has malfunctioned, or if the fireplace has been dropped or damaged in any manner. Contact authorized service facility for examination, electrical or mechanical adjustment or repair.
-  Do not use outdoors.
-  **This fireplace is not intended for use in bathrooms, laundry areas, damp basements or other areas where water or moisture may be present.**
-  Do not run cord under carpeting. Do not cover cord with throw rugs, runners, or the like. Arrange cord away from traffic area and locations where it could be tripped over.
-  To disconnect fireplace, turn controls to off, then remove plug from outlet.
-  Do not insert or allow foreign objects to enter any ventilation or exhaust opening as this may cause an electric shock or fire, or damage the heater.
-  To prevent a possible fire, do not block air intake or exhaust in any manner. Do not use on soft surfaces, like a bed, where openings may become blocked.
-  All electrical heaters have hot and arcing or sparking parts inside. Do not use it in areas where gasoline, paint, or flammable liquids are used or stored or where the unit will be exposed to flammable vapors.
-  Do not modify this fireplace. Use it only as described in this manual. Any other use not recommended by the manufacturer may cause fire, electric shock or injury to persons.
-  Avoid the use of an extension cord because the extension cord may overheat and cause a risk of fire. However, if you have to use an extension cord, the cord shall be a No. 16 AWG minimum size and rated not less than 1875 watts.
-  Do not burn wood or other materials in this fireplace.
-  Do not strike fireplace glass.
-  Always use a certified electrician should new circuits or outlets be required.
-  Always use properly fused and polarized outlets.
-  Always use ground fault protection where required by electrical code.
-  Always disconnect power before performing any cleaning, maintenance or relocation of the fireplace.
-  When transporting or storing the fireplace and cord, keep in a dry place, free from excessive vibration and store so as to avoid damage.

 **SAVE THESE INSTRUCTIONS**

NOTE: Procedures and techniques that are considered important enough to emphasize.

CAUTION: Procedures and techniques which, if not carefully followed, will result in damage to the equipment.

WARNING: Procedures and techniques which, if not carefully followed, will expose the user to the risk of serious injury or death.

SITE SELECTION AND PREPARATION

This section provides easy step-by-step instructions for selecting a location and preparing the site to install the fireplace into:

- Existing Fireplace (pg 3)
- New Wall Construction (pg 4)
- Heat-N-Glo Mantel Surround Kit (pg 5)

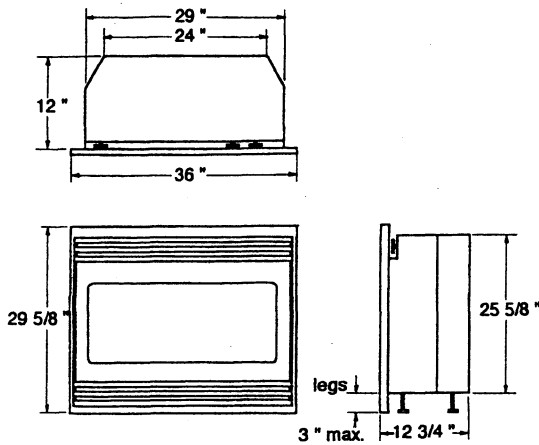


FIGURE 1

NOTE

- The fireplace comes completely assembled and wired. Some tools may be required to prepare the site and assemble/install the trim.
- The dimensions of the fireplace/insert are 36" wide (91cm) X 29 5/8" high (75cm) X 12 3/4" deep (32cm). (FIGURE 1) We recommend you leave a clearance around the insert of 1/2" (1.2cm) to ease installation.
- This fireplace does NOT require venting.

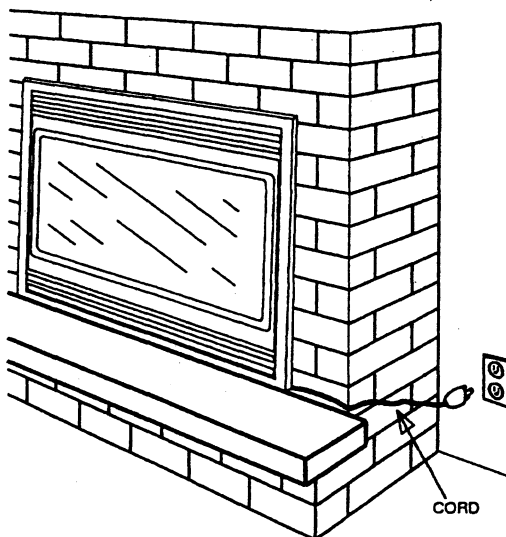


FIGURE 2

■ Existing Fireplace:

1. Seal all drafts and vents with non-combustible non-fibrous insulation materials to prevent chimney debris from falling onto the fireplace/insert and cold air from entering. Do not install into an existing fireplace that is prone to dampness.
2. Cap and seal the top of the chimney flue to prevent rain from entering.
3. Plan your electric power supply: (Refer to Note 1)
4. The power cord can run along the front of the hearth to an outlet near the fireplace. (FIGURE 2)

NOTE 1

- A 15 Amp, 120 Volt circuit is required. A dedicated circuit is preferred but not essential in all cases. A dedicated circuit will be required if, after installation, the circuit breaker trips or fuse blows on a regular basis when the heater is operating. Additional appliances on the same circuit may exceed the current rating of the circuit breaker.

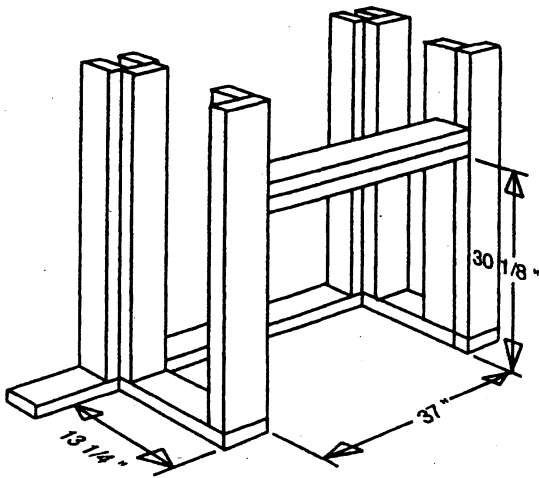


FIGURE 3

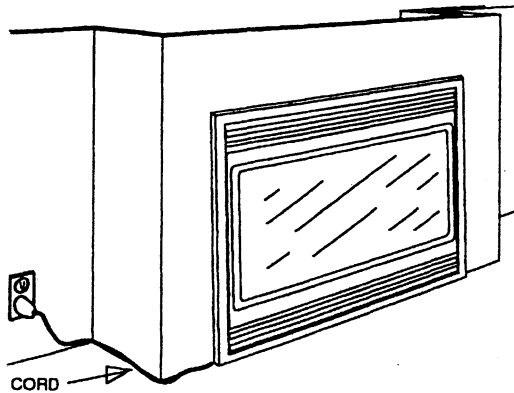


FIGURE 4

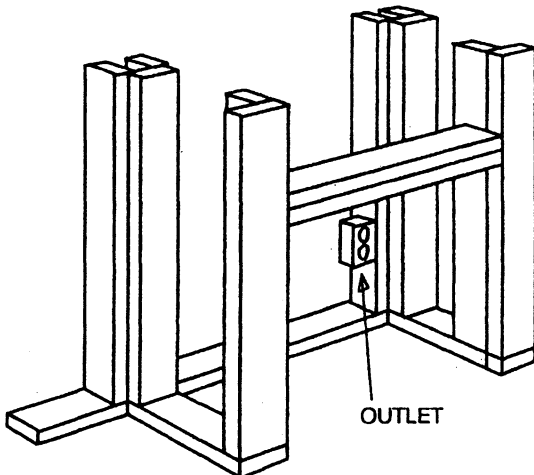


FIGURE 5

WARNING

- To prevent personal injury you should hire a professional to cap and seal the chimney flue. **Do not cut a hole in the existing fireplace for wiring.**
- If you return your existing fireplace to its original use (Example: wood burning), it should be inspected by the local building department prior to use to reduce the risk of fire and injury to persons.

■ New Wall Construction:

1. Select a suitable location that is not susceptible to moisture and is away from drapes, furniture and high traffic.

NOTE

- It is recommended the fireplace be installed on a hard surface.

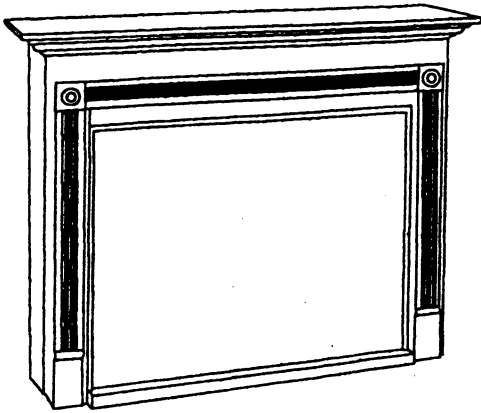
2. Place the fireplace in the desired location to see how it will look in the room.
3. Mark the desired location on the floor.
4. Use studs to frame an opening of 37" wide X 30 1/8" high (94cm wide X 77cm high) allowing a depth of 13 1/4" (34cm). (Refer to FIGURE 3 as an example.)
5. Plan your electric power supply. A dedicated 15 amp, 120 volt circuit will be required.

Option #1 - The power cord can lead from behind the trim and along the wall to an outlet near the fireplace. (FIGURE 4)

Option #2 - A new outlet can be installed inside the new frame construction (if allowed by electrical code). (FIGURE 5)

WARNING

- Construction and electrical outlet wiring must comply with local building codes and other applicable regulations to reduce the risk of fire, electric shock and injury to persons.



■Heat-N-Glo Mantel Surround Kit

1. Select a suitable location that is not susceptible to moisture and is away from drapes, furniture and high traffic.
2. Place the fireplace in the desired location.
3. For ease of electrical hook up you may wish to locate the fireplace near an existing outlet. (Refer to Note 1)
4. Assemble Mantel Surround Kit.

WARNING

- Do not attempt to wire your own new outlets or circuits. To reduce the risk of fire, electric shock or injury to persons, always use a licensed electrician.

FIREPLACE/INSERT INSTALLATION

This section provides easy step-by-step instructions for installation of your fireplace/insert.

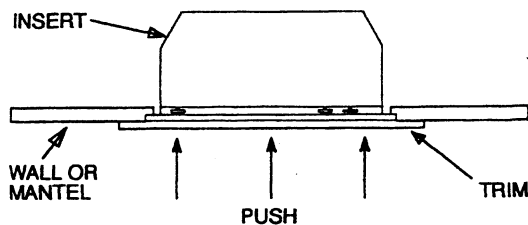


FIGURE 6

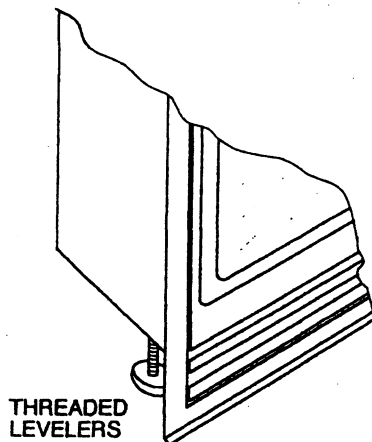


FIGURE 7

1. Remove door frame by lifting and pulling away from insert.
2. Dispose of cardboard glass protector and replace door by aligning the two hooks with the rectangular slots provided in the surround, inserting and lowering.
3. Make sure the unit is switched OFF (Refer to operating instruction section).
4. Plug the fireplace/insert into a 15AMP/120Volt outlet. If the cord does not reach you may use an extension cord rated for a minimum of 1875WATTS.
5. Level the fireplace/insert by adjusting the height of the three threaded levelers on the bottom surface of the fireplace/insert.
6. Push the fireplace/insert into place so that the trim is against the finished Mantel Surround or wall surface.(FIGURE 6)

WARNING

- Ensure the power cord is not installed so that it is pinched or against a sharp edge and ensure that the power cord is stored or secured to avoid tripping or snagging to reduce the risk of fire, electric shock or injury to persons.

OPERATION

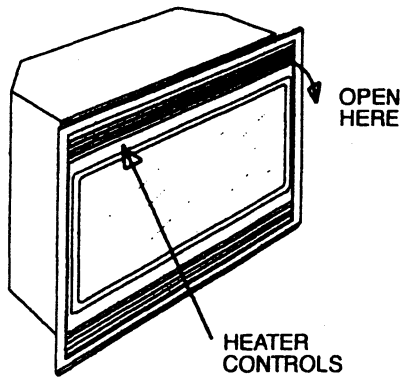


FIGURE 8

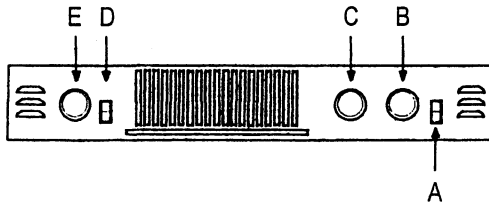


FIGURE 9

NOTE

- Do not allow this appliance to operate unattended.

This section will explain the function of each convenient control.

1. To access the controls, open the upper grille by pulling, near the top right hand side, forward and down.(FIGURE 8)
2. To locate controls refer to FIGURE 9.

WARNING

- The center and left hand portion of the grille will get hot when the heater is operating. Take care to always grasp the grille on the right hand side.

A. MAIN ON/OFF SWITCH

The ON/OFF SWITCH supplies power to all fireplace/insert functions (Heater/Flame).

RESETTING THE TEMPERATURE CUTOFF SWITCH

This unit is equipped with a thermostat which controls the temperature of the room. It does this by turning the heater on and off. The heater is protected with a safety device to prevent overheating. Should the heater overheat, an automatic cut out will turn the heater off and it will not come back on without being reset. It can be reset by switching the ON/OFF/RESET SWITCH to OFF and waiting 5 minutes before switching the unit back on.

CAUTION

- If you need to continuously reset the heater, unplug the unit and call your authorized service center.

B. FLAME ACTION CONTROL (Model 32E-XL only)

Turn the flame action control knob to adjust the flame speed to the desired level.

C. FLAME BRIGHTNESS CONTROL

Turn the flame brightness control knob to increase or decrease the brightness of the flame and embers.

D. HEATER ON/OFF SWITCH

The heater on/off switch supplies power to the heating unit when main on/off switch (A) is on.

E. HEATER THERMOSTAT CONTROL

To adjust the temperature to your individual requirements, turn the thermostat control clockwise all the way to turn on the heater. When the room reaches the desired temperature, turn the thermostat knob counter clockwise until you hear a click. Leave in this position to maintain the room temperature at its setting. For additional heat, turn clockwise until you hear the click again and the heater will turn on.

NOTE

- The heater may emit a slight, harmless odor when first used. This is a normal condition caused by initial heating of internal parts and will not occur again.

3. To conceal the controls during operation, return the grille to its original upright position. The ON/OFF indicator light may remain visible.

MAINTENANCE

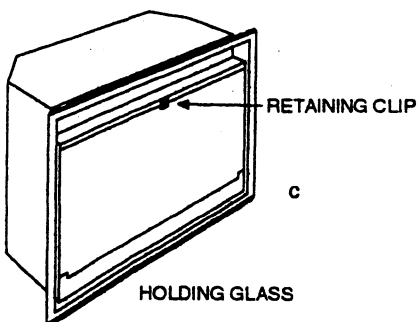
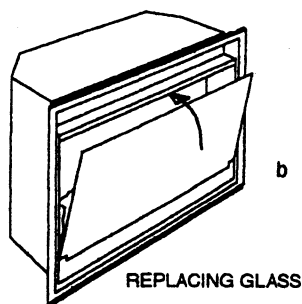
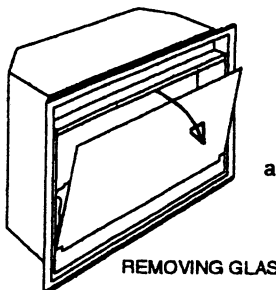


FIGURE 10 (a,b,c)

WARNING

- Disconnect power before attempting any maintenance or cleaning to reduce the risk of fire, electric shock or injury to persons.

■Light Bulb Replacement:

NOTE

- Allow at least 5 minutes for light bulbs to cool off before touching bulbs to avoid accidental burning of skin.

Light bulbs need to be replaced when you notice a dark section of the flame or when the clarity and detail of the log exterior deteriorates. There are two bulbs at the top of the opening which illuminate the log set exterior, and four bulbs under the log set which generate the flames and embers.

Tool Requirements: Slot Screw Driver

To open the light bulb area:

1. Remove door frame by lifting and pulling away from the glass.
2. Hold glass in place while removing retaining clip as shown in FIGURE 10 (a,b,c).
3. Lift glass out and store in a safe place.

CAUTION

•Although the glass is safety glass it may break if bumped, struck or dropped. Care must be taken when handling the glass.

Average Daily Operation	End of Rate Life
2 Hours	3 Years
4 Hours	1.5 Years
6 Hours	1 Year

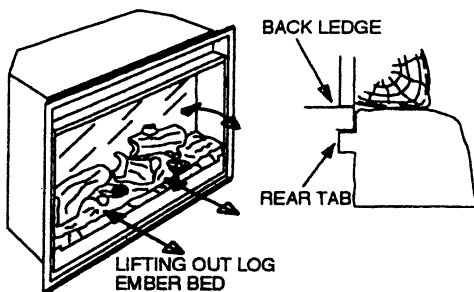


FIGURE 11

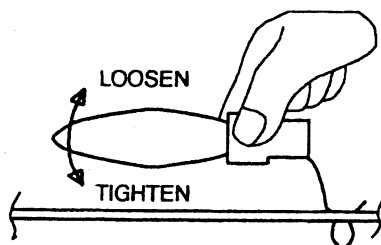


FIGURE 12

Helpful Hints

Unplug fireplace/insert before changing top or bottom light bulbs.

It is a good idea to replace all light bulbs at one time if they are close to the end of their rated life. Group replacement will reduce the number of times you need to open the unit to replace light bulbs.

•To replace the bottom light bulbs which generate the flames and embers:

Bulb Requirements: Quantity of 4 clear chandelier or candelabra bulbs with an E-12 (small) socket base, 60 watt rating. Example GE 60BC or Philips 60CTC.

CAUTION

•Do not exceed 60 watts per bulb

1. Carefully lift up front edge of log ember bed until it clears the front tabs. Pull out until the rear tab clears the back ledge, then lift out.(FIGURE 11)
2. Examine the bulbs to determine which bulbs require replacement.
3. **Hold the socket while unscrewing the bulb.(FIGURE 12)**
4. **Hold the socket while screwing in the new bulb.**
5. Replace the log by pushing it down and in until it rests against the mirror.(FIGURE 11)

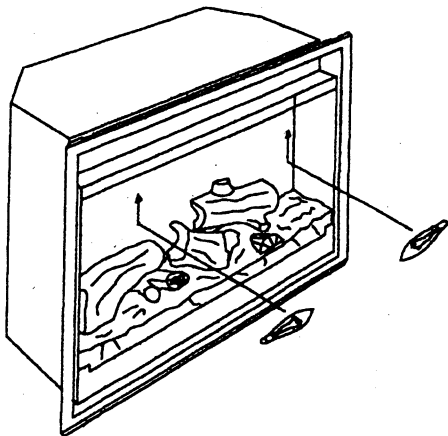


FIGURE 13

•**To replace the top light bulbs which illuminate the log exterior:**

Bulb Requirements: Quantity of 2 clear chandelier or candelabra bulbs with an E-12 (small) screw base. Please refer to the label adjacent to the upper lights for the correct wattage for your model.

CAUTION

•Do not exceed 15 watts per bulb

1. Examine the bulbs to determine if they need replacing. (FIGURE 13)
2. **Hold the socket while unscrewing the bulb.**(FIGURE 12)
3. **Hold the socket while screwing in the new bulb.**

•**To reassemble light bulb area**

1. Replace the glass and hold it in place at top.(FIGURE 10b)
2. Fasten retaining clip to hold glass in place.(FIGURE 10c)
3. Plug in fireplace/insert.

■**Glass Cleaning:**

The glass is cleaned in the factory during the assembly operation. During shipment, installation, handling, etc., the glass surface may collect dust particles; these can be removed by buffing lightly with a clean dry cloth.

To remove finger prints or other marks, the glass can be cleaned with a damp cloth using a good quality household glass cleaner. The glass should be completely dried with a lint free cloth or paper towel.

CAUTION

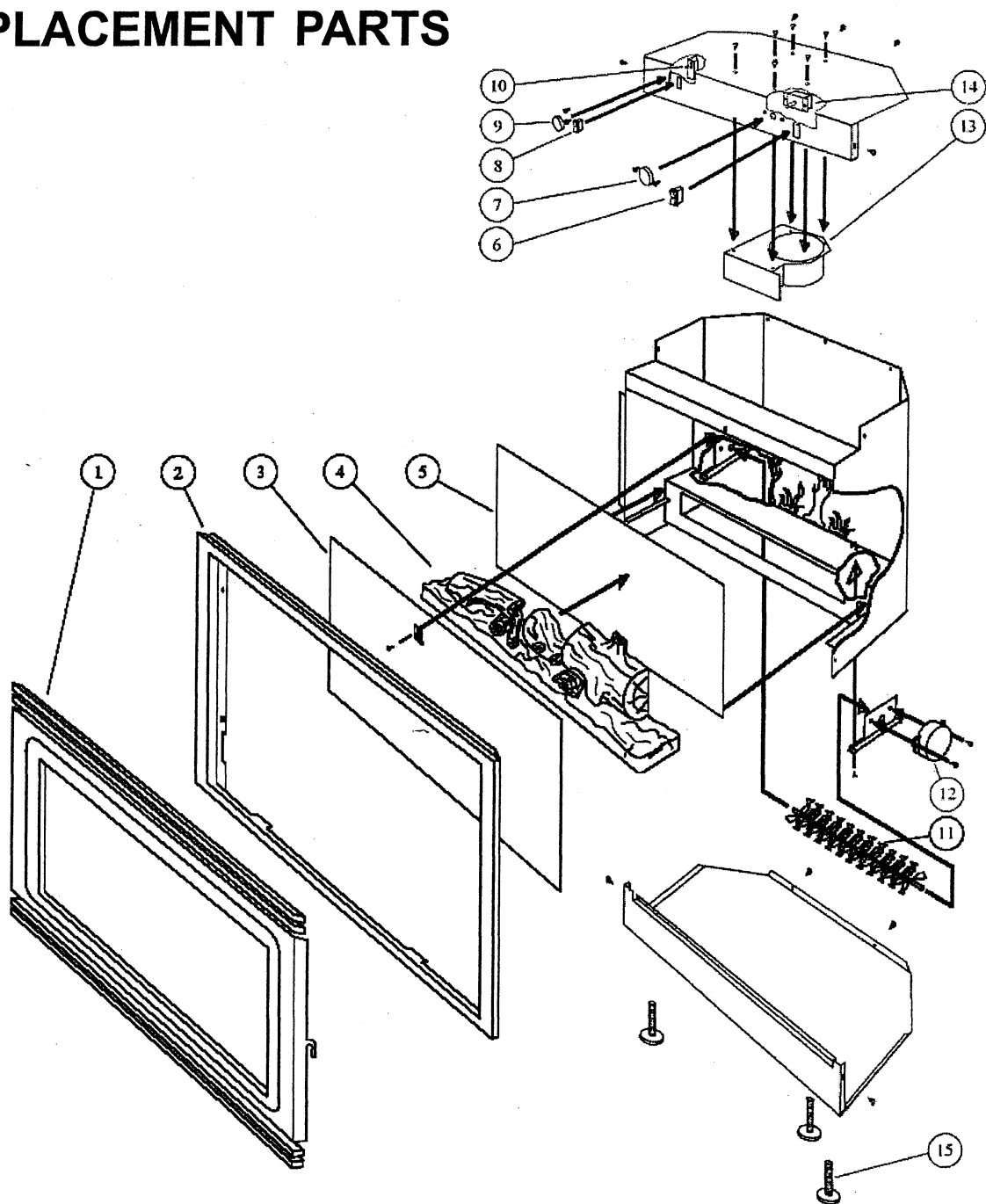
•Do not use abrasive cleaners on glass surface or spray liquids directly onto any surface.

Helpful Hints

Wait until it is time to change the light bulbs to clean inside glass surface.

REPLACEMENT PARTS

32E

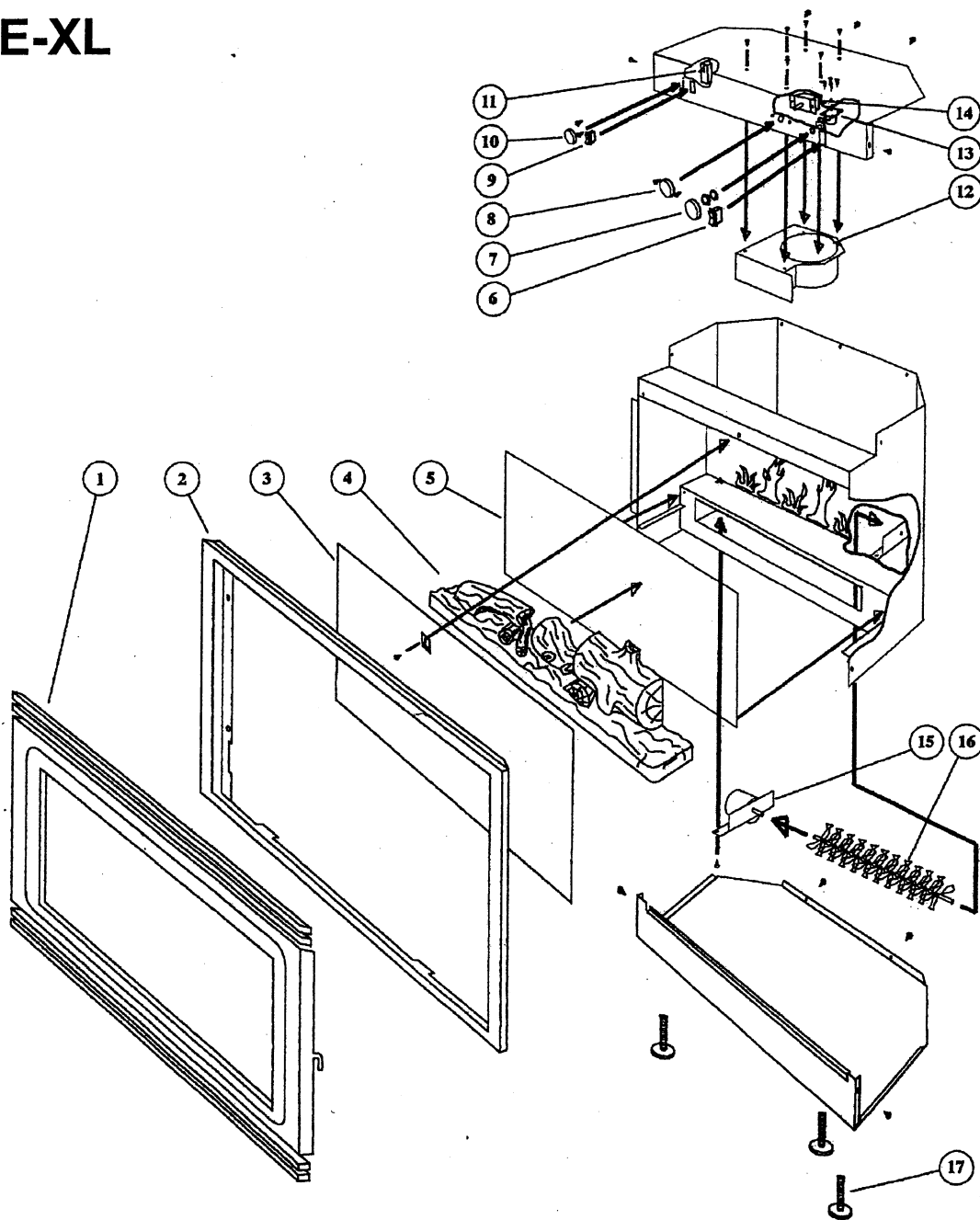


1. Decorative Door	SRV6900300159
2. Surround	SRV6900310159
3. Glass	SRV6900100800
4. Log set	SRV0437880100
5. Mirror	SRV6900100700
6. Power on/off switch	SRV2800070200
7. Light dimmer knob	SRV8800000100
8. Heater on/off switch	SRV2800070200
9. Thermostat knob	SRV8800000300

10. Thermostat	SRV2300150100
11. Reflector Rotisserie	SRV6900190500
12. A.C. Motor	SRV2000140100
13. Heater assembly	SRV2200290600
14. Light dimmer	SRV2800020100
15. Leveller	SRV8800100100

REPLACEMENT PARTS

32E-XL



1. Decorative Door	SRV6900300159	10. Thermostat knob	SRV8800000300
2. Surround	SRV6900310159	11. Thermostat	SRV2300150100
3. Glass	SRV6900100900	12. Heater assembly	SRV2200290600
4. Log set	SRV0437880200	13. Flame speed control	SRV3000180300
5. Mirror	SRV6900100700	14. Light dimmer	SRV2800020100
6. Power on/off switch	SRV2800070200	15. D.C. Motor	SRV2000150100
7. Flame speed knob	SRV8800000200	16. Reflector Rotisserie	SRV6900190400
8. Light dimmer knob	SRV8800000100	17. Leveller	SRV8800100100
9. Heater on/off switch	SRV2800070200		

WARRANTY

Heat-N-Glo Electric Fireplaces are tested and inspected prior to shipment and are guaranteed from defect to the purchaser of each new product. Any part which proves to be defective in material or workmanship under normal use within two years from date of manufacture will be repaired or replaced without charge.* The Company will not be responsible for any expense incurred for installation, removal from service, or transportation costs. Any such defect should be brought to the attention of the Dealer where the product was purchased and is authorized to repair or replace within the terms of this warranty.

The company's only obligation under this warranty will be at its sole option to repair or replace any part proving defective or to refund the purchase price thereof.

The owner/user assumes all other risks, if any, including the risk of any direct, indirect or consequential loss or damage arising out of the use of or inability to use, the product.

The warranty will not apply if, in the sole judgment of the Company, damage or failure has resulted from accident, alteration, misuse, abuse, incorrect installation, or operation on an incorrect power source.

The foregoing is in lieu of all other warranties expressed, implied or statutory, and the company neither assumes, nor authorizes any person to assume for it any other obligation, or liability in connection with said product.

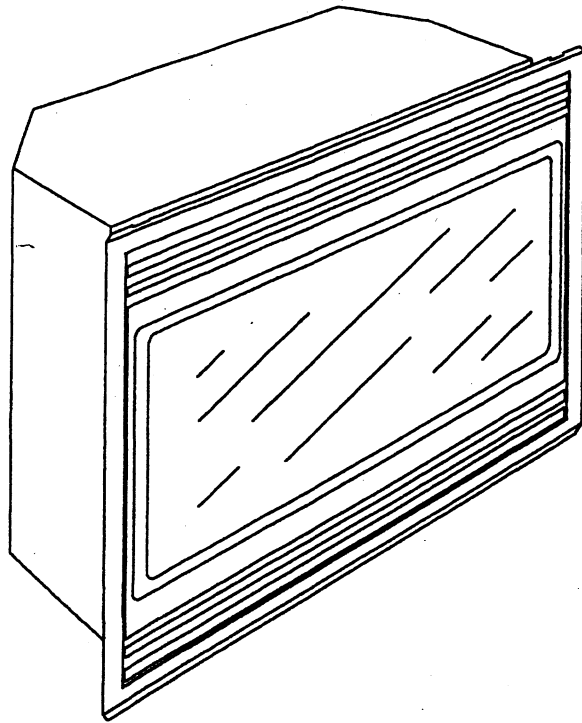
* Light bulbs are not covered in the warranty.

ACCESSORIES

Please contact your local dealer for genuine Heat-N-Glo accessories. Example: Trim Kits and Mantel Surrounds designed to fit with your new Electrafire Electric Fireplace.

Electrafire

Guía práctica del usuario para los modelos 32 E y 32 E-XL de la chimenea eléctrica HEAT-N-GLO



*Para cambiar las piezas y accesorios o para obtener información, sírvase entrar en contacto con su distribuidor local o llame al 1-800-216-1039.

*Para el servicio y las reparaciones cubiertas por la garantía, llame a Television and Appliance Warranty Inc., 800-824-5090, extensión 330, en EE.UU., o al 800-774-9992, extensión 330, en Canadá.























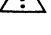
20802 Kensington Blvd.
Lakeville, Mn 55044

Aprobado para usarse en Canadá y Estados Unidos.

ADVERTENCIAS E INFORMACIÓN SOBRE SEGURIDAD

SÍRVASE GUARDAR ESTA GUÍA COMO REFERENCIA

Cuando se utilizan equipos eléctricos, siempre se deberían tomar ciertas precauciones, como las mencionadas a continuación, para reducir el peligro de incendio, choque eléctrico y lesiones personales:

-  Antes de usar la chimenea, lea todas las instrucciones.
-  Esta chimenea se calienta. Para evitar quemaduras, no toque las superficies calientes sin proteger la piel. La rejilla que va delante de la salida del calefactor se calienta durante el funcionamiento. Mantenga toda materia inflamable, como muebles, almohadones, ropa de cama, papeles, ropa y cortinas, a una distancia mínima de 0,90 m (3 pies) del aparato.
-  Es necesario tomar medidas de precaución máximas cuando el calefactor se utiliza junto a los niños o personas inválidas y cuando la chimenea se deja funcionando sin ninguna supervisión.
-  Siempre desenchufe la chimenea cuando no la usa.
-  No haga funcionar la chimenea si el cable o el enchufe están dañados, si el calefactor no funciona bien o si la chimenea se ha caído o dañado. Sírvase entrar en contacto con la compañía de servicio autorizada para que examinen la chimenea, ajusten el sistema eléctrico o mecánico, o hagan las reparaciones necesarias.
-  No haga funcionar el calefactor en el exterior.
-  Esta chimenea no está diseñada para usarse en baños, lavanderías, sótanos húmedos ni ningún otro espacio donde pueda haber agua o humedad.
-  No pase el cable por debajo de la alfombra ni lo cubra con alfombras pequeñas o de pasillos, etc. Páselo por un área donde no haya tránsito y por lugares donde no es posible tropezar con él.
-  Para desconectar la chimenea, gire los controles hasta apagarla y luego desenchúfela.
-  No inserte ni permita que ningún objeto extraño entre en las aberturas de ventilación o escape, ya que puede causar un choque eléctrico o un incendio, o puede dañar el calefactor.
-  Para impedir un posible incendio, no bloquee la entrada ni la salida de aire. No use la chimenea sobre superficies blandas, como camas, donde estas aberturas pueden bloquearse.
-  Todos los calefactores eléctricos tienen piezas calientes que producen arcos y chispas en el interior. No los use en áreas donde se guarda o utiliza gasolina, pintura o líquidos inflamables o donde el aparato puede estar expuesto a vapores inflamables.
-  No modifique esta chimenea. Utilícela sólo como se describe en este manual. Cualquier otro uso no recomendado por el fabricante puede producir incendios, choques eléctricos o lesiones personales.
-  No se deberán usar cables de prolongación, porque pueden calentarse y producir un incendio. Si es necesario usar uno, el cable de prolongación deberá ser de 16 AWG, tamaño mínimo, y tener una capacidad nominal mínima de 1875 vatios.
-  No queme madera ni otros materiales en la chimenea.
-  No golpee el vidrio de la chimenea.
-  Llame siempre a un electricista acreditado, si es necesario instalar nuevos circuitos o tomacorrientes.
-  Siempre use tomacorrientes con protegidos con fusible y polarizados.
-  Siempre use protección de corriente de pérdida a tierra, cuando sea necesario según el código eléctrico.
-  Siempre desconecte la electricidad antes de hacer la limpieza y el mantenimiento o de reubicar la chimenea.
-  Al transportar o guardar la chimenea y el cable, manténgala en un lugar seco, libre de vibraciones excesivas, y guárdela de manera que no pueda dañarse.



GUARDE ESTAS INSTRUCCIONES

OBSERVACIÓN: procedimientos y técnicas que se consideran importantes y deben ponerse de relieve.

PRECAUCIÓN: procedimientos y técnicas que, si no se respetan bien, dañarán el equipo.

ADVERTENCIA: procedimientos y técnicas que, si no se respetan bien, expondrán al usuario a lesiones graves o muerte.

SELECCIÓN Y PREPARACIÓN DEL LUGAR

Esta sección da las instrucciones paso a paso para seleccionar un lugar y prepararlo para instalar la chimenea en:

- * una chimenea actual (pág. 3)
- * una construcción nueva (pág. 4)
- * repisa circundante para Heat-N-Glo (pág. 5)

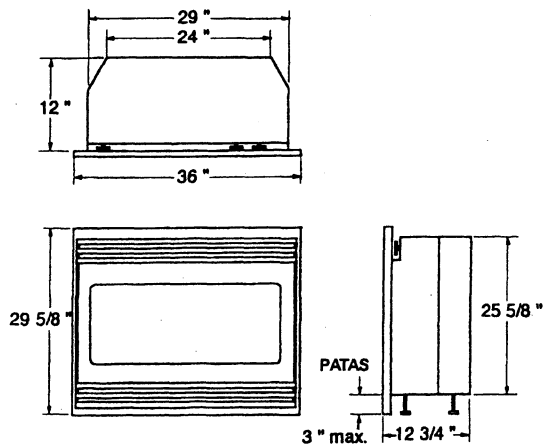


ILUSTRACIÓN 1

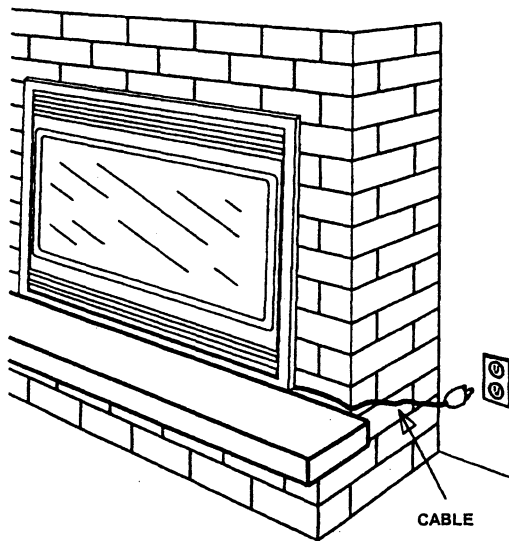


ILUSTRACIÓN 2

OBSERVACIÓN

- * La chimenea viene totalmente ensamblada y cableada. No obstante, es posible que se necesiten algunas herramientas para preparar el lugar y ensamblar o instalar los adornos.
- * Las dimensiones del inserto/chimenea son: 91 cm (36 pulg.) de ancho x 75 cm (29 5/8 pulg.) de alto x 32 cm (12 3/4 pulg.) de profundidad (ILUSTRACIÓN 1). Recomendamos dejar un espacio alrededor del inserto de 1,2 cm (1/2 pulg.) para facilitar la instalación.
- * Esta chimenea NO REQUIERE ventilación.

* Chimenea actual

1. Selle todos los tiros de la chimenea y aberturas con materiales de aislación NO INFLAMABLES ni fibrosos para impedir que los escombros de la chimenea caigan en el inserto/chimenea y que entre el aire frío. No la instale en una chimenea ya instalada que esté expuesta a la humedad.
2. Tape y selle la parte superior de conducto de humos de la chimenea para impedir que entre la lluvia.
3. Planifique la alimentación eléctrica. (Véase la Observación 1).
4. El cable eléctrico que se enchufa cerca del aparato puede pasar por la parte delantera del hogar (ILUSTRACIÓN 2).

OBSERVACIÓN 1

Se requiere un circuito de 15 A, 120V. Es preferible que dicho circuito se utilice exclusivamente para la chimenea, pero no es esencial en todos los casos. Se requerirá un circuito exclusivo si, después de la instalación, el disyuntor salta o el fusible se quema regularmente, cuando el calefactor está funcionando. La conexión de otros equipos adicionales en el mismo circuito puede exceder la capacidad nominal del disyuntor.

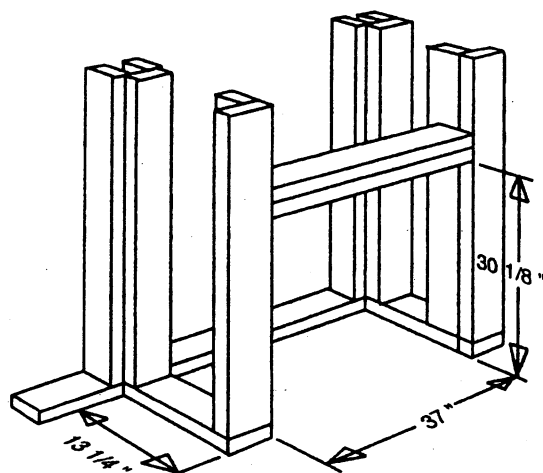


ILUSTRACIÓN 3

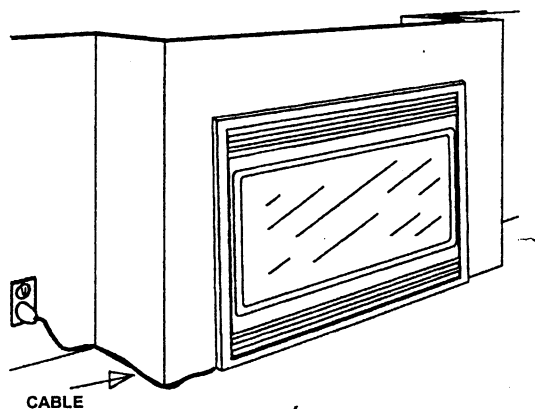


ILUSTRACIÓN 4

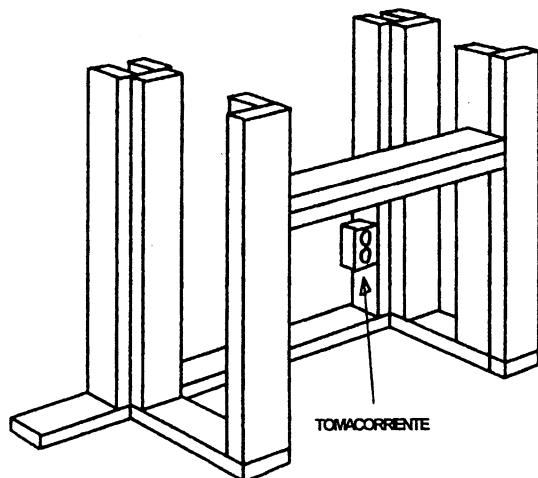


ILUSTRACIÓN 5

ADVERTENCIA

- * Para impedir que se produzcan lesiones personales, se debería contratar a un profesional para que tape y selle el conducto de humos de la chimenea. **No agujeree la chimenea actual para el cableado.**
- * Si la chimenea actual vuelve a su uso original (con leños, por ejemplo), se debería solicitar una inspección de la división de construcción local, antes de usarse, para reducir el peligro de incendios o lesiones personales.

* Construcción nueva

1. Seleccione un lugar adecuado, que no sea susceptible a la humedad y que esté lejos de las cortinas, los muebles y el paso frecuente de la gente.

OBSERVACIÓN

Se recomienda instalar la chimenea en una superficie dura.

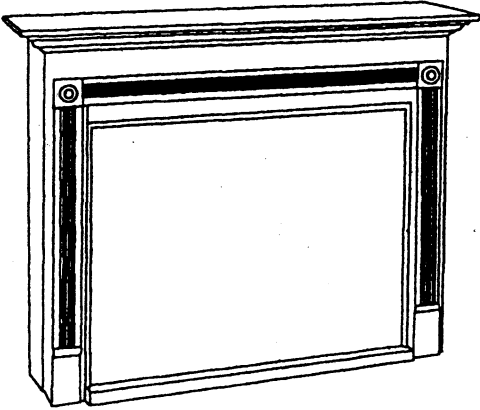
2. Coloque la chimenea en el lugar deseado para ver cómo queda en la pieza.
3. Marque el lugar deseado en el piso.
4. Use los montantes para enmarcar una abertura de 94 cm de ancho x 77 cm de alto (37 pulg. x 30 1/8 pulg.), dejando una profundidad de 34 cm (13 1/4 pulg.) (Véase la ILUSTRACIÓN 3).
5. Planifique su fuente de alimentación eléctrica. Se requerirá un circuito exclusivo de 15A, 120V.

Opción 1 - El cable puede pasar por detrás del adorno y a lo largo de la pared hasta llegar al enchufe cerca de la chimenea (ILUSTRACIÓN 4).

Opción 2 - Es posible instalar un nuevo tomacorriente dentro de la estructura de la construcción (si lo permite el código eléctrico) (ILUSTRACIÓN 5).

ADVERTENCIA

El cableado del tomacorriente y de la construcción deberá responder a los códigos de construcción locales y a otras reglamentaciones aplicables para reducir el peligro de incendios, choques eléctricos y lesiones personales.



Repisa circundante Heat-N-Glo

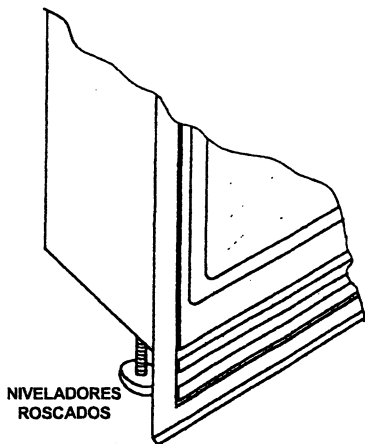
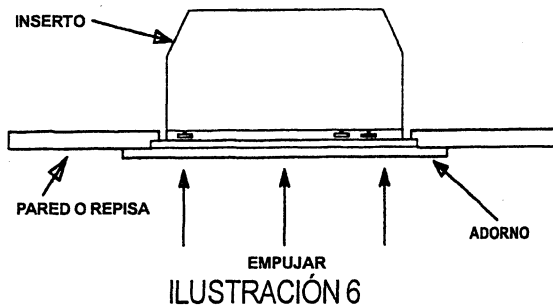
1. Seleccione un lugar adecuado que no sea susceptible a la humedad y esté a una cierta distancia de las cortinas, muebles y áreas de mucho tránsito.
2. Coloque la chimenea en el lugar deseado.
3. Para facilitar la conexión eléctrica, conviene situar la chimenea cerca de un tomacorriente ya instalado (Véase la Observación 1).
4. Monte la repisa.

ADVERTENCIA

No trate de cablear sus tomacorrientes o circuitos nuevos. Siempre contrate a un electricista para reducir el peligro de incendios, choques eléctricos o lesiones personales.

INSTALACIÓN DE LA CHIMENEA/INSERTO

Esta sección da instrucciones paso a paso para la instalación de la chimenea/inserto.



1. Saque el marco de la puerta levantando y tirando hacia afuera del inserto.
2. Quite el cartón protector del vidrio y vuelva a colocar la puerta alineando los dos ganchos con las ranuras rectangulares provistas en la repisa circundante, insertando y bajando la puerta.
3. Asegúrese de que el aparato está apagado (Véase la sección de instrucciones de uso).
4. Enchufe la chimenea/inserto en un tomacorriente de 15 A/120V. Si el cable no alcanza, puede utilizar un cable de prolongación para un mínimo de 1875W.
5. Nivele la chimenea/inserto ajustando la altura de los tres niveladores roscados, que se encuentran en la parte inferior de la chimenea/inserto.
6. Empuje la chimenea/inserto para que entre y que el borde quede contra la repisa circundante o la superficie de la pared (ILUSTRACIÓN 6).

ADVERTENCIA

Para reducir el peligro de incendios, choques eléctricos o lesiones personales, asegúrese de que el cable de alimentación está instalado de manera que no quede apretado o contra un borde afilado, y que no se pueda tropezar ni engancharse.

FUNCIONAMIENTO

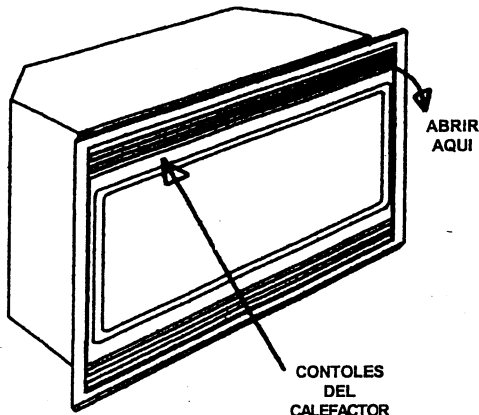


ILUSTRACIÓN 8

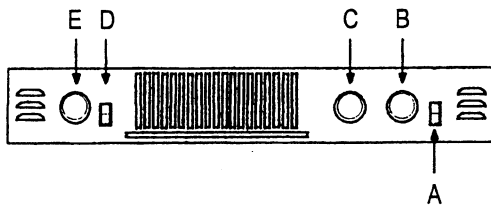


ILUSTRACIÓN 9

OBSERVACIÓN

No deje que este aparato funcione sin vigilancia.

Esta sección explica el funcionamiento de cada uno de los controles.

1. Para tener acceso a los controles, abra la rejilla superior tirando hacia adelante y hacia abajo desde el extremo superior derecho (ILUSTRACIÓN 8).
2. Para ubicar los controles, vea la ILUSTRACIÓN 9.

ADVERTENCIA

El centro y la izquierda de la rejilla se calentarán mientras funciona el calefactor. Tome la precaución de asir la rejilla por el lado derecho.

A. CONMUTADOR PRINCIPAL DE ENCENDIDO Y APAGADO

Este conmutador provee corriente a todas las funciones de la chimenea/inserto (calefactor/llama).

REPOSICIONAMIENTO DEL CONMUTADOR DE CORTE

Este aparato viene con un termostato que controla la temperatura de la pieza, encendiendo y apagando el calefactor. El calefactor está protegido con un dispositivo de seguridad para impedir el sobrecalentamiento. Si el calefactor se sobrecalienta, se producirá automáticamente un corte que apagará el calefactor y éste no volverá a encenderse, a menos que se reposicione. Puede reposicionarse desactivando el conmutador de reposicionamiento y esperando 5 minutos antes de volver a encender el aparato.

PRECAUCIÓN

Si necesita reposicionar continuamente el calefactor, desenchufe el aparato y llame a su centro de servicio autorizado.

B. CONTROL DE LLAMAS (Modelo 32E-XL únicamente)

Para ajustar la intensidad de las llamas al nivel deseado, gire la perilla de control de llamas.

C. CONTROL DE BRILLO DE LAS LLAMAS

Para aumentar o disminuir el brillo de las llamas y rescoldo, gire la perilla de control del brillo.

D. CONMUTADOR DE ENCENDIDO/APAGADO DEL CALEFACTOR

El conmutador de encendido/apagado provee corriente al calefactor, si el conmutador principal de encendido/apagado (A) está activado.

E. CONTROL DEL TERMOSTATO DEL CALEFACTOR

Para ajustar la temperatura a su nivel deseado, haga girar completamente el termostato hacia la derecha para encender el calefactor. Una vez que la temperatura de la pieza alcanza el nivel deseado, gire la perilla hacia la izquierda hasta que oiga un chasquido. Deje la perilla en esta posición para mantener la temperatura de la pieza. Si requiere una temperatura más alta, gire la perilla hacia la derecha hasta que escuche nuevamente un chasquido y el calefactor se encenderá.

OBSERVACIÓN

El calefactor puede producir un ligero olor inocuo, al encenderse por primera vez. Esto es normal y se debe al calentamiento inicial de las piezas internas, pero no se producirá en lo sucesivo.

3. Para esconder los controles durante la operación, vuelva a poner la rejilla en su posición vertical. El indicador luminoso puede quedar visible.

MANTENIMIENTO

Funcionamiento diario promedio	Vida útil
2 horas	3 años
4 horas	1,5 año
6 horas	1 año

ADVERTENCIA

Desconecte el aparato antes de hacer el mantenimiento o la limpieza para reducir el peligro de incendios, choques eléctricos o lesiones personales.

Cambio de la bombilla

OBSERVACIÓN

Deje que la bombilla se enfríe durante unos 5 minutos antes de tocarla y para evitar que la piel se quemé accidentalmente.

Las bombillas deben cambiarse cuando se note una sección oscura de la llama o cuando la claridad y detalles del leño exterior se deterioren. Hay dos bombillas en la parte superior de la abertura que iluminan el juego de leños exterior, y

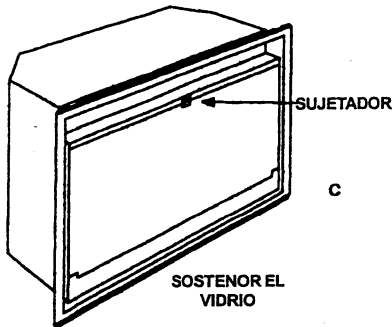
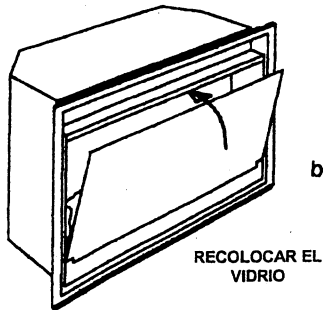
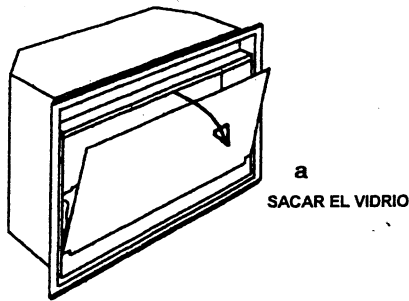


ILUSTRACIÓN 10 (a,b,c)



ILUSTRACIÓN 11

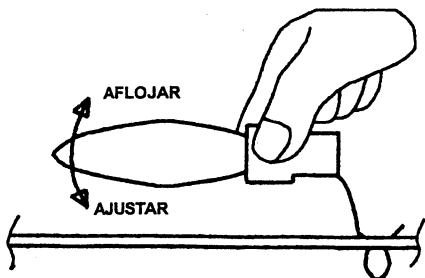


ILUSTRACIÓN 12

cuatro bombillas debajo del juego de leños que crean las llamas y el rescoldo.

Herramientas necesarias: destornillador con punta ranurada
Para abrir el área de la bombilla:

1. Quite el marco de la puerta levantándolo y tirándolo hacia afuera del vidrio.
2. Sostenga el vidrio en su lugar mientras saca los sujetadores tal como aparece en la ILUSTRACIÓN 10 (a,b,c).
3. Saque el vidrio y colóquelo en un lugar seguro.

PRECAUCIÓN

El vidrio es un vidrio de seguridad, pero si se golpea o se deja caer puede romperse. Por eso, cuando se lo mueve, se deben tomar las medidas necesarias.

Consejos útiles

Desenchufe la chimenea/inserto antes de cambiar las bombillas superiores o inferiores.

Conviene cambiar todas las bombillas al mismo tiempo, si están llegando al fin de la vida útil. Este procedimiento reducirá el número de veces que necesite abrir el aparato para cambiar las bombillas.

Para cambiar las bombillas inferiores que crean las llamas y rescoldo:

Tipo de bombillas: 4 bombillas para arañas o candelabros, translúcidas, con una base E-12 (pequeña), de 60W. Ejemplo: 60BC de GE o 60CTC de Phillips.

PRECAUCIÓN

No utilice bombillas de más de 60 W.

1. Levante cuidadosamente el borde delantero de la base del rescoldo hasta que se liberen las lengüetas delanteras. Tire hacia afuera hasta que la lengüeta trasera se libere del reborde posterior, luego levante. (ILUSTRACIÓN 11).
2. Examine las bombillas para determinar cuál debe cambiarse.
3. **Sostenga el enchufe mientras desenrosca la bombilla (ILUSTRACIÓN 12).**
4. **Sostenga el enchufe mientras enrosca la bombilla nueva.**
5. Vuelva a instalar el leño y rescoldo empujándolo hacia

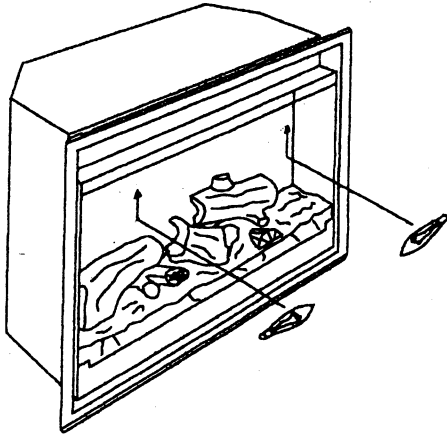


ILUSTRACIÓN 13

abajo y hacia adentro hasta que se apoye sobre el espejo (ILUSTRACIÓN 11).

Para cambiar las bombillas superiores que iluminan el exterior del leño:

Bombillas: 2 bombillas para arañas o candelabros, translúcidas, con casquillo de rosca (pequeña) E-12. Sírvase ver la etiqueta adyacente a las bombillas superiores para el wataje que va con su modelo.

PRECAUCIÓN

Cada una de las bombillas debe tener 15 vatios máximo.

1. Examine las bombillas para determinar si deben cambiarse. (ILUSTRACIÓN 13)
2. **Sostenga el enchufe mientras desenrosca la bombilla (ILUSTRACIÓN 12).**
3. **Sostenga el enchufe mientras enrosca la bombilla nueva.**

Para remontar el área de la bombilla

1. Vuelva a instalar el vidrio y manténgalo en su lugar por la parte superior (ILUSTRACIÓN 10b).
2. Ajuste el sujetador para que el vidrio quede en su lugar. (ILUSTRACIÓN 10c).
3. Enchufe la chimenea/inserto.

Limpieza del vidrio:

El vidrio se limpia en la fábrica durante el montaje. No obstante, durante el envío, instalación, manejo, etc., el vidrio puede tener ciertas partículas de polvo, que pueden sacarse puliendo ligeramente con un paño seco y limpio.

Para sacar las marcas que dejan los dedos u otro tipo de marcas, el vidrio puede limpiarse con un paño húmedo y un limpiador corriente para vidrios. Luego debe secarse completamente con un paño que no deje pelusa o con una toalla de papel.

PRECAUCIÓN

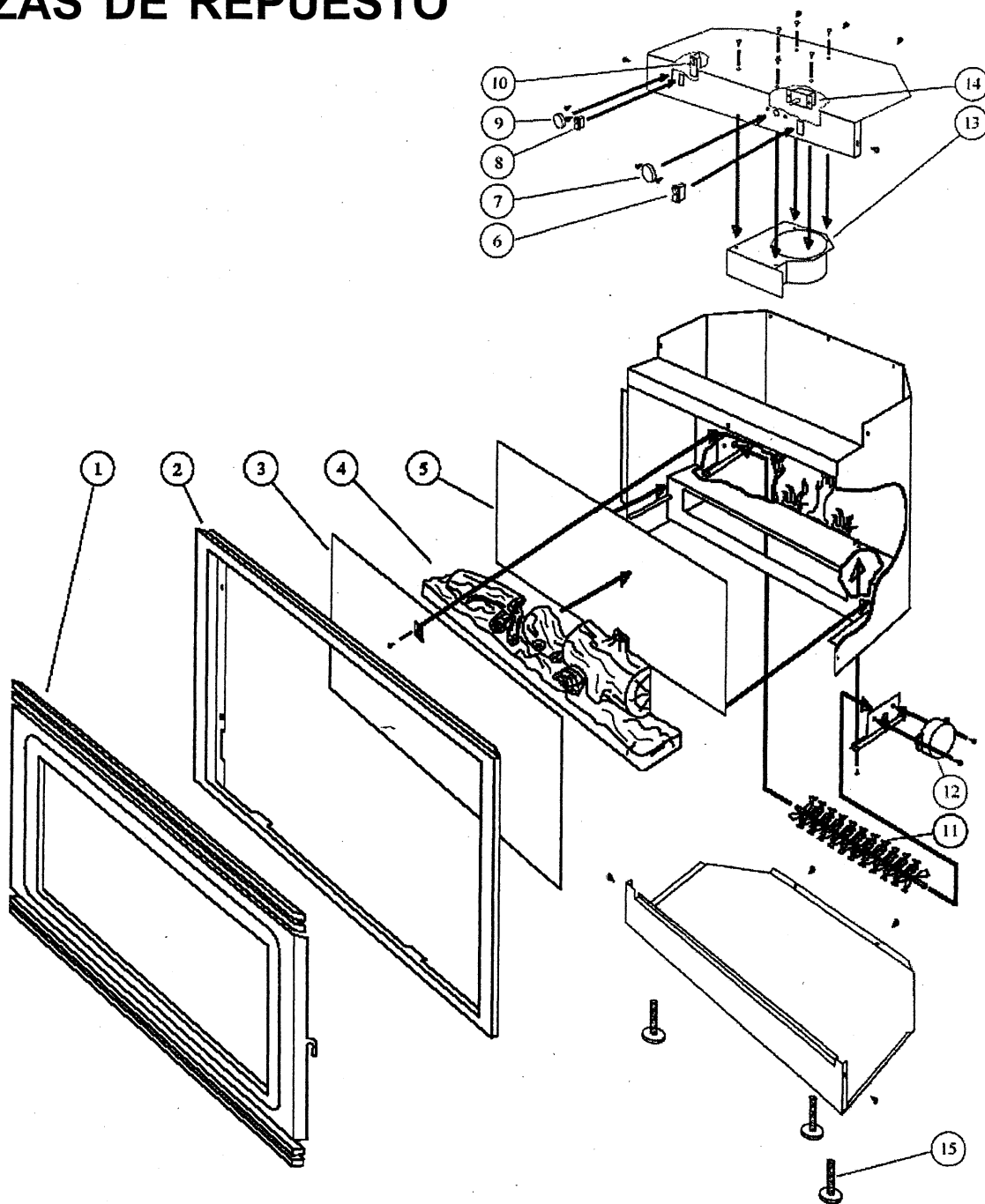
No utilice limpiadores abrasivos en la superficie del vidrio ni pulverice líquidos directamente en ninguna superficie.

Consejos útiles

Para limpiar la superficie interior del vidrio espere hasta que sea tiempo de cambiar las bombillas.

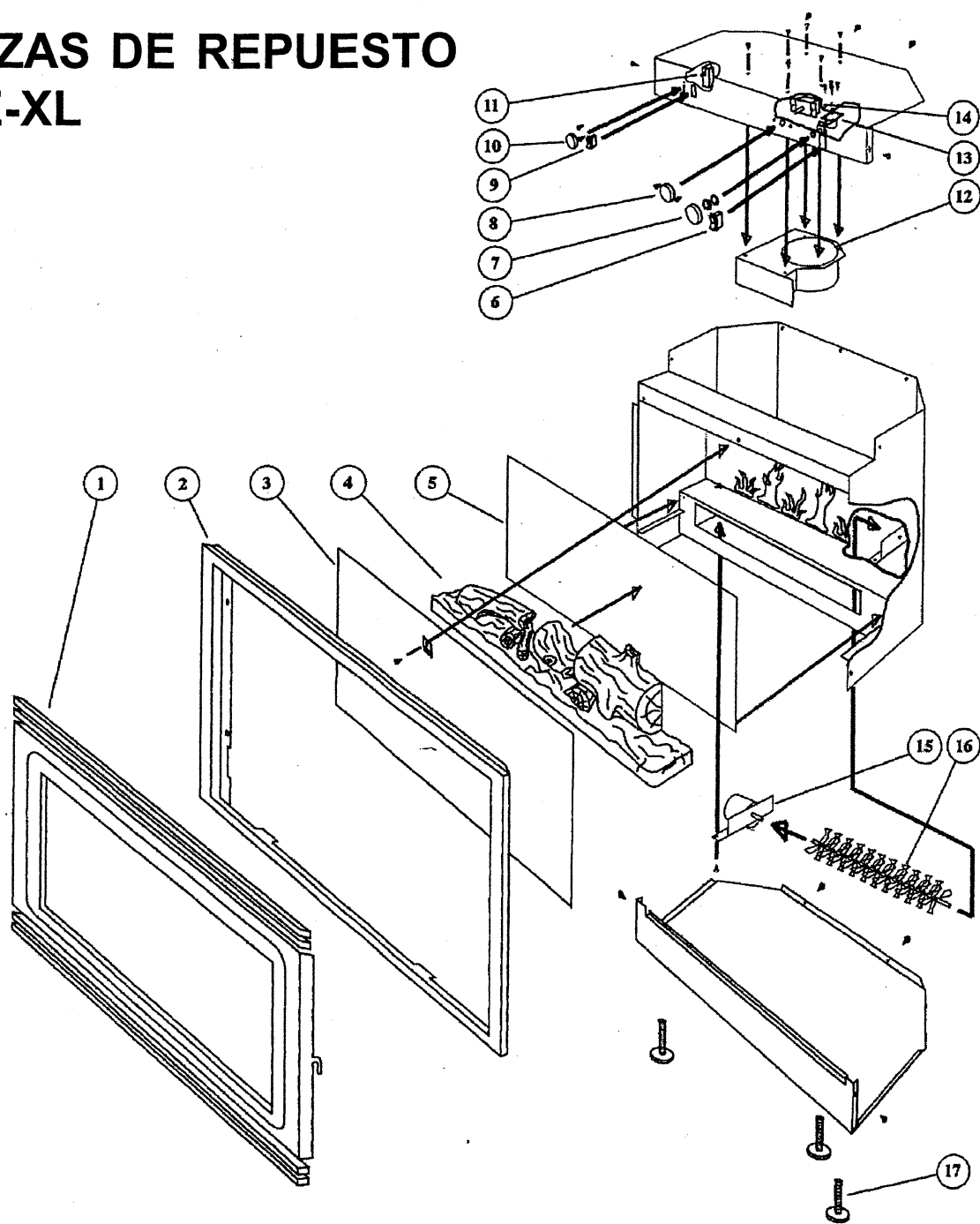
PIEZAS DE REPUESTO

32E



1. Puerta decorativa	SRV6900300159	9. Perilla del termostato	SRV8800000300
2. Repisa circundante	SRV6900310159	10. Termostato	SRV2300150100
3. Vidrio	SRV6900100800	11. Espira del reflector	SRV6900190500
4. Leños decorativos	SRV0437880100	12. Motor CA	SRV2000140100
5. Espejo	SRV6900100700	13. Calefactor	SRV2200290600
6. Conmutador de encendido/apagado	SRV2800070200	14. Reductor de luz	SRV2800020100
7. Perilla del reductor de luz	SRV8800000100	15. Nivelador	SRV8800100100
8. Conmutador de encendido/apagado del calefactor	SRV2800070200		

PIEZAS DE REPUESTO 32E-XL



1. Puerta decorativa	SRV6900300159	10. Perilla del termostato	SRV8800000300
2. Repisa circundante	SRV6900310159	11. Termostato	SRV2300150100
3. Vidrio	SRV6900100900	12. Calefactor	SRV2200290600
4. Leños decorativos	SRV0437880200	13. Control de intensidad de la llama	SRV3000180300
5. Espejo	SRV6900100700	14. Reductor de luz	SRV2800020100
6. Conmutador de encendido/apagado	SRV2800070200	15. Motor CC	SRV2000150100
7. Perilla de intensidad de la llama	SRV8800000200	16. Espira del reflector	SRV6900190400
8. Perilla del reductor de luz	SRV8800000100	17. Nivelador	SRV8800100100
9. Conmutador de encendido/apagado del calefactor	SRV2800070200		

GARANTÍA

Las chimeneas Heat-N-Glo se prueban e inspeccionan antes de despacharse, y se las garantiza contra fallas al comprador de cada nuevo producto. Se reparará o se sustituirá sin cargo toda pieza defectuosa por razones de material o de mano de obra y que haya sido utilizada en condiciones normales por dos años a partir de la fecha de fabricación.* La compañía no se hará responsable de ningún gasto de instalación, remoción o costos de transporte. Defectos de este tipo deberían indicarse al distribuidor donde se adquirió el producto y que está autorizado para reparar o cambiar piezas conforme a los términos de esta garantía.

La única obligación de la compañía en virtud de la presente garantía será, conforme a su propia decisión, la de reparar o cambiar cualquier pieza cuya falla ha sido comprobada o de reembolsar el precio de compra de la misma.

El propietario/usuario asume todos los riesgos, incluyendo el de cualquier daño o pérdida directa, indirecta o emergente, que surja del uso o de la imposibilidad de uso del producto.

La garantía no se aplicará si, a criterio de la compañía, el daño o la falla resultaron de accidente, alteración, mal uso, abuso, instalación incorrecta o funcionamiento con una fuente incorrecta de alimentación.

La presente garantía se aplica en lugar de todas las otras garantías expresas, implícitas o estatutorias, y la compañía no asume ninguna obligación ni responsabilidad en relación con dicho producto ni autoriza a nadie que asuma lo antedicho en su nombre.

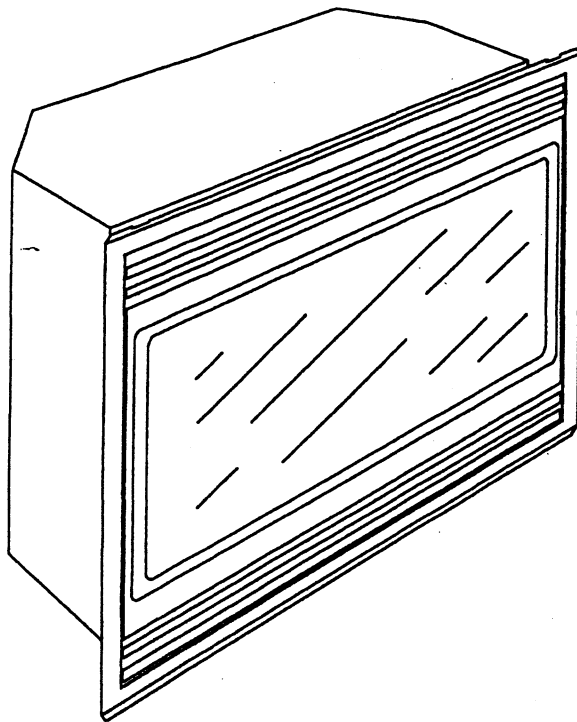
* Las bombillas quedan excluidas de la presente garantía.

ACCESORIOS

Sírvase entrar en contacto con su distribuidor local para obtener los accesorios auténticos Heat-N-Glo. Por ejemplo: los adornos y las repisas circundantes, diseñados para que vayan con su nueva chimenea eléctrica Electrafire.

Electrafire

GUIDE PRATIQUE D'UTILISATION POUR LE FOYER ÉLECTRIQUE HEAT-N-GLO, MODÈLES 32E ET 32E-XL



- Pour obtenir des pièces de rechange, des accessoires ou des renseignements généraux, communiquez avec votre détaillant ou composez le (800) 216-1039.
- Pour le service après-vente et les réparations sous garantie, appelez Television and Appliance Warranty Inc. en composant aux États-Unis le 1 800 824-5090, poste 330, ou au Canada le 1 800 774-9992, poste 330.




20802 Kensington Blvd.
Lakeville, Mn 55044


Approuvé pour l'utilisation aux États-Unis et au Canada


MISES EN GARDE ET MESURES DE SÉCURITÉ

VEUILLEZ CONSERVER LE PRÉSENT GUIDE D'UTILISATION POUR CONSULTATION ÉVENTUELLE


Pour réduire les risques d'incendie, de chocs électriques et de blessures lorsque vous utilisez des appareils électriques, il faut toujours observer les mesures de sécurité de base, notamment les suivantes :

 Avant d'utiliser ce foyer, veuillez lire toutes les directives.


 Le foyer devient chaud lorsqu'il est utilisé. Pour ne pas vous brûler, évitez que votre peau non protégée entre en contact avec les surfaces chaudes. La grille placée directement devant la sortie d'air chaud devient chaude pendant le fonctionnement du foyer. Gardez tous les matériaux combustibles, comme les meubles, les oreillers, les articles de literie, le papier, les vêtements et les rideaux à au moins 3 pieds (0,9 m) de l'avant de l'appareil.


 Il faut être extrêmement prudent lorsque le foyer est utilisé par des enfants ou des personnes invalides, ou à proximité de ces derniers, et lorsque le foyer fonctionne sans surveillance.


 Débranchez toujours le foyer lorsqu'il n'est pas utilisé.


 Ne faites pas fonctionner le foyer si le cordon d'alimentation ou la fiche sont endommagés, si le foyer fonctionne mal, s'il est tombé par terre ou s'il a été endommagé de quelque manière que ce soit. Communiquez avec le centre de service autorisé pour toute inspection, réparation ou réglage électrique ou mécanique.


 N'utilisez pas l'appareil à l'extérieur.


 **Ce foyer n'a pas été conçu pour être utilisé dans une salle de bain, une salle de lavage, un sous-sol humide ou autres endroits où il peut y avoir de l'eau ou de l'humidité.**


 Ne faites pas passer le cordon d'alimentation sous un tapis. Ne recouvrez pas le cordon d'alimentation à l'aide d'une carpe, d'un profilé protecteur ou autre dispositif du genre. Placez le cordon d'alimentation loin des endroits passants car les gens pourraient tomber en marchant dessus.


 Pour débrancher le foyer, tournez les commandes à OFF (Arrêt), puis débranchez la fiche de la prise de courant.


 Évitez d'insérer des corps étrangers dans les orifices de ventilation ou de sortie car ils pourraient causer un choc électrique ou un incendie, ou endommager l'élément chauffant.

 Pour éviter tout risque d'incendie, n'obstruez pas les prises d'air ou les sorties d'air de quelque manière que ce soit. N'utilisez pas l'appareil sur des surfaces molles, comme un lit, car les orifices de l'appareil pourraient être obstrués.


 Tous les éléments chauffants possèdent des pièces internes qui sont chaudes et qui peuvent produire des étincelles. Ne faites donc pas fonctionner l'appareil dans des endroits où on utilise ou range de l'essence, de la peinture ou des liquides inflammables, ou en présence de vapeurs inflammables.

 Ne modifiez pas le foyer. N'utilisez l'appareil que de la façon décrite dans le présent manuel. Toute autre utilisation non recommandée par le fabricant pourrait causer un incendie, un choc électrique ou des blessures.


 Évitez d'utiliser une rallonge électrique car elle peut surchauffer et présenter un risque d'incendie. Cependant, si vous êtes dans l'obligation d'utiliser une rallonge électrique, il doit s'agir d'une rallonge de calibre n° 16 AWG minimum, et d'une valeur nominale d'au moins 1 875 watts.

 Ne faites pas brûler du bois ou d'autres matériaux dans ce foyer.

 Évitez de cogner la vitre du foyer.

 Faites toujours appel à un électricien accrédité si vous devez faire installer de nouveaux circuits ou prises de courant.

 Branchez toujours l'appareil dans une prise de courant adéquatement mise à polarisée et protégée par un fusible.

 Lorsque le code de l'électricité l'exige, faites installer un disjoncteur de fuite à la terre.

 Débranchez toujours le foyer avant de le nettoyer, de l'entretenir ou de le déplacer.

 Lorsque vous transportez ou entreposez le foyer et son cordon d'alimentation, gardez-les dans un endroit sec, exempt de vibrations excessives, et protégez-les afin qu'ils ne soient pas endommagés.

 **CONSERVEZ CES DIRECTIVES**

REMARQUE : Procédures et techniques considérées suffisamment importantes pour qu'on les souligne.

ATTENTION : L'appareil sera endommagé si ces procédures et ces techniques ne sont pas suivies à la lettre.

MISE EN GARDE : L'utilisateur risque de subir des blessures graves ou mortelles s'il ne suit pas à la lettre ces procédures et ces techniques.

CHOIX ET PRÉPARATION DE L'EMPLACEMENT

Vous trouverez dans la présente section des directives étape par étape faciles à suivre pour choisir et préparer l'emplacement pour installer le foyer :

- Dans un foyer existant (page 3)
- Dans un mur nouvellement construit (page 4)
- Avec l'Ensemble de manteau et tablette de cheminée Heat-N-Glo (page 5)

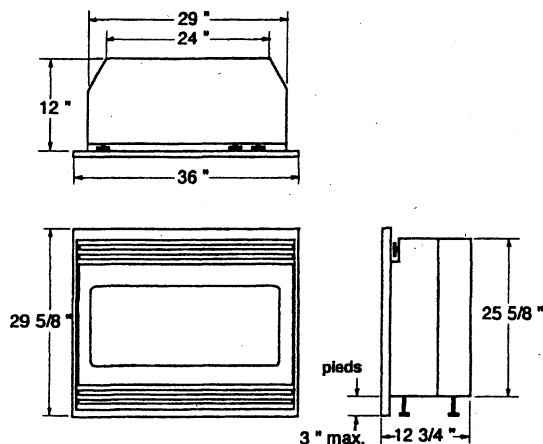


FIGURE 1

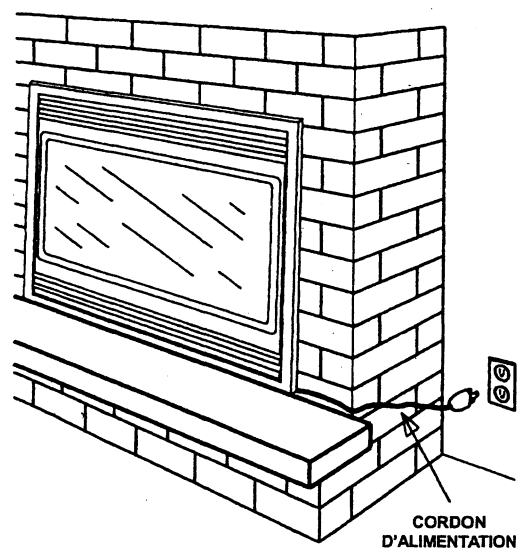


FIGURE 2

REMARQUE

- Le foyer est vendu complètement assemblé et câblé. Vous pouvez avoir besoin de certains outils pour préparer l'emplacement et assembler/installer la façade du foyer.
- Les dimensions du foyer ou de la cavité sont les suivantes : 36 po (91 cm) de largeur x 29 5/8 po (75 cm) de hauteur x 12 3/4 po (32 cm) de profondeur (FIGURE 1). Nous vous recommandons de prévoir un dégagement de 1/2 po (1,2 cm) autour de la cavité pour faciliter l'installation.
- Ce foyer ne nécessite PAS une évacuation vers l'extérieur.

Foyer existant :

1. Obstruez toutes les infiltrations d'air et les orifices d'aération à l'aide d'un matériau isolant ininflammable non fibreux pour empêcher les débris de la cheminée de tomber dans le foyer ou l'air froid d'entrer. N'installez pas l'appareil dans un foyer exposé à l'humidité.
2. Installez et scellez un capuchon sur le dessus du conduit de cheminée pour empêcher la pluie d'entrer dans le foyer.
3. Planifiez votre alimentation électrique (reportez-vous à la Remarque n° 1).
4. Le cordon d'alimentation peut être aménagé le long de la façade du foyer pour être branché dans une prise à proximité de l'appareil (FIGURE 2).

REMARQUE N° 1

Il faut prévoir un circuit de 15 ampères et 120 volts. Il est préférable d'opter pour un circuit réservé à l'appareil, mais ce n'est pas essentiel dans tous les cas. Un circuit réservé spécialement à l'appareil peut être nécessaire si, après l'installation, le disjoncteur se déclenche ou le fusible grille régulièrement lorsque le foyer fonctionne. Les autres appareils branchés sur le même circuit peuvent exiger une intensité de courant supérieure à la capacité du disjoncteur.

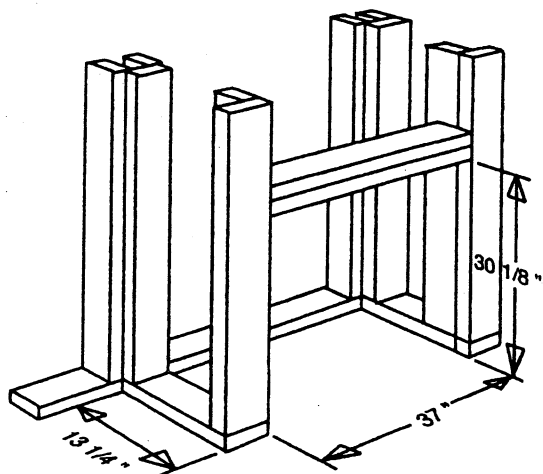


FIGURE 3

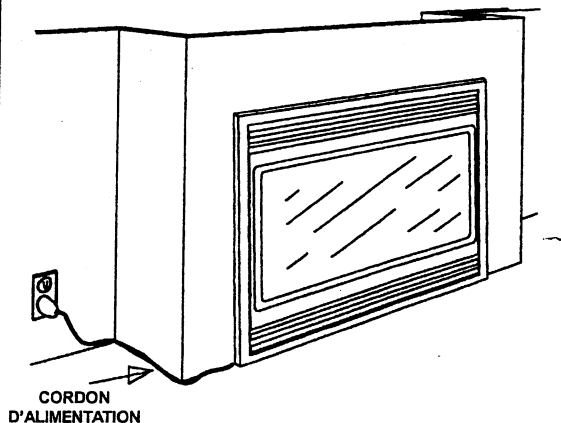


FIGURE 4

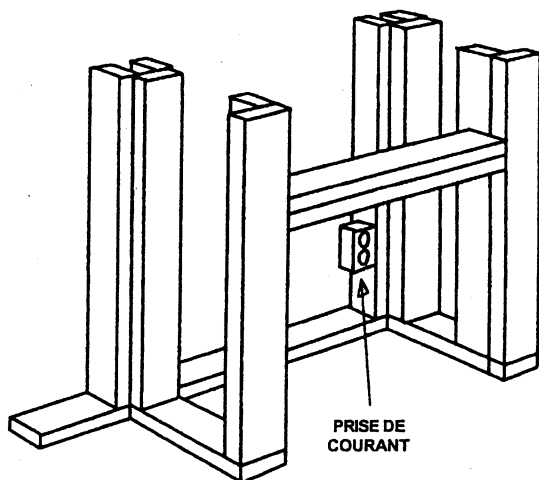


FIGURE 5

MISE EN GARDE

- Pour éviter tout risque de blessures, demandez à un professionnel d'installer un capuchon et de le sceller sur le conduit de cheminée. Ne percez pas de trou dans le foyer existant pour faire passer les fils électriques.
- Si vous transformez à nouveau votre foyer existant pour qu'il redevienne fonctionnel (exemple : chauffage au bois), vous devriez le faire inspecter par le service de la construction de votre municipalité avant de l'utiliser afin de réduire les risques d'incendie et de blessures.

• Mur nouvellement construit :

1. Choisissez un emplacement adéquat non exposé à l'humidité et loin des rideaux, des meubles et des endroits passants.

REMARQUE

- Nous vous recommandons d'installer le foyer sur une surface dure.
2. Placez le foyer à l'endroit désiré pour voir le coup d'oeil qu'il donnera dans la pièce.
 3. Marquez l'endroit désiré sur le sol.
 4. Servez-vous des montants du mur pour cadrer une ouverture de 37 po (94 cm) de largeur x 30 1/8 po (77 cm) de hauteur x 13 1/4 po (34 cm) de profondeur. (Reportez-vous à la FIGURE 3 à titre d'exemple.)
 5. Planifiez votre alimentation électrique. Un circuit de 15 ampères et 120 volts réservé spécialement à l'appareil peut être nécessaire.

Option n° 1 - Le cordon d'alimentation peut passer derrière la façade du foyer et le long du mur pour être ensuite branché dans une prise de courant à proximité du foyer (FIGURE 4).

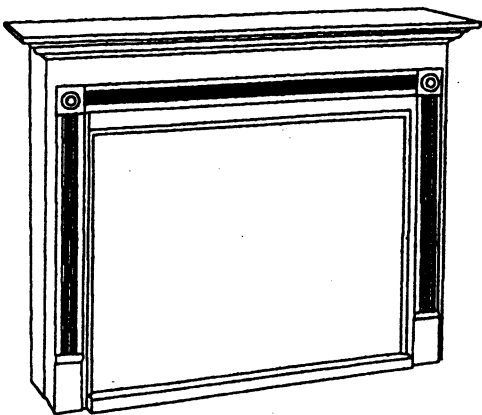
Option n° 2 - Une nouvelle prise de courant peut être installée à l'intérieur de la nouvelle charpente (si le code d'électricité le permet) (FIGURE 5).

MISE EN GARDE

- Les travaux de construction et d'électricité doivent être conformes aux codes du bâtiment de votre région et autres règlements applicables afin de réduire les risques d'incendie, de chocs électriques et de blessures.

• Ensemble de manteau et tablette de cheminée Heat-N-Glo

1. Choisissez un emplacement adéquat non exposé à l'humidité et loin des rideaux, des meubles et des endroits



passants.

2. Placez le foyer à l'endroit désiré.
3. Pour faciliter les raccordements électriques, vous pouvez placer le foyer à proximité d'une prise de courant existante (reportez-vous à la Remarque n° 1).
4. Assemblez l'Ensemble de manteau et tablette de cheminée.

MISE EN GARDE

Ne tentez pas d'installer vous-même de nouveaux circuits ou prises de courant. Pour réduire les risques d'incendie, de chocs électriques ou de blessures, faites toujours appel à un électricien agréé.

INSTALLATION DU FOYER/DE LA CAVITÉ

Vous trouverez dans la présente section des directives étape par étape faciles à suivre pour l'installation de votre foyer/ de votre cavité.

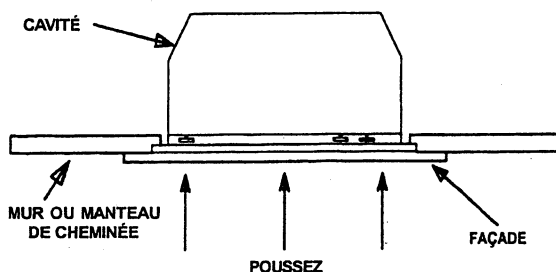


FIGURE 6

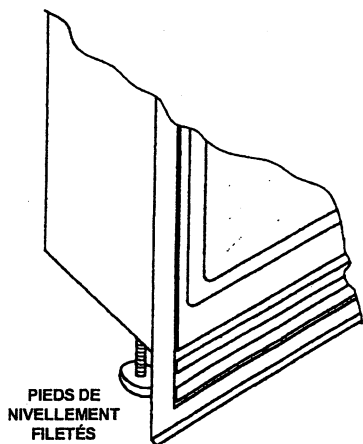


FIGURE 7

1. Enlevez le cadre de la porte en le soulevant et l'éloignant de la cavité.
2. Jetez l'emballage de protection en carton de la vitre, puis réinstallez la porte en plaçant les deux crochets vis-à-vis des fentes rectangulaires à l'avant. Insérez les crochets dans les fentes, puis abaissez-les.
3. Assurez-vous que l'appareil est à OFF (Arrêt). (Reportez-vous à la section «Fonctionnement».)
4. Branchez le foyer dans une prise de courant de 15 ampères et 120 volts. Si le cordon d'alimentation n'est pas assez long, vous pouvez utiliser une rallonge électrique d'une puissance nominale de 1 875 watts minimum.
5. Mettez le foyer de niveau en réglant la hauteur des trois pieds de nivellement filetés qui se trouvent sous le foyer.
6. Placez le foyer à son emplacement définitif de sorte que la façade du foyer soit appuyée contre le mur ou le manteau de cheminée (FIGURE 6).

MISE EN GARDE

Assurez-vous que le cordon d'alimentation n'est pas pincé ou placé contre un rebord tranchant. Assurez-vous également de placer le cordon d'alimentation de manière que les gens ne trébuchent pas ou ne s'accrochent pas dans le fil afin de réduire les risques d'incendie, de chocs électriques ou de blessures.

FONCTIONNEMENT

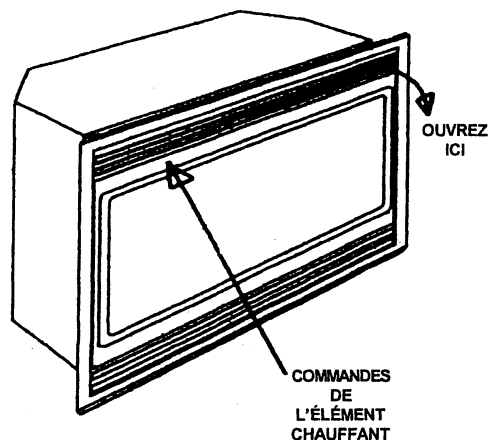


FIGURE 8

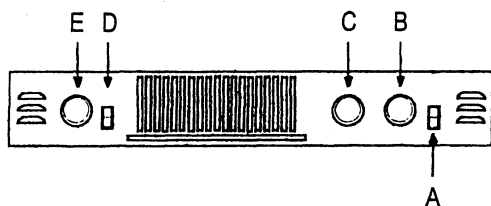


FIGURE 9

REMARQUE

- Ne laissez pas l'appareil fonctionner sans surveillance.

Vous trouverez dans la présente section des explications sur le fonctionnement de chacune des commandes.

- Pour avoir accès aux commandes, tirez sur la grille supérieure, dans le coin supérieur droit, puis abaissez-la (FIGURE 8).
- Pour repérer les commandes, reportez-vous à la FIGURE 9.

MISE EN GARDE

- Le centre et la partie gauche de la grille deviennent chauds lorsque le foyer fonctionne. Soyez prudent lorsque vous saisissez la grille du côté droit.

A. INTERRUPTEUR PRINCIPAL

L'interrupteur ON/OFF (Marche/arrêt) assure l'alimentation électrique de toutes les fonctions du foyer (élément chauffant/flamme).

RÉENCLÈCHEMENT DU RUPTEUR THERMIQUE

Cet appareil est doté d'un thermostat qui contrôle la température de la pièce. Pour ce faire, il met en marche et éteint l'élément chauffant. Cet élément est protégé par un dispositif de sécurité qui empêche toute surchauffe. Si jamais l'élément surchauffe, un rupteur automatique coupe l'alimentation électrique de l'élément. Pour le remettre en marche, il faut réenclencher le rupteur. Pour réenclencher l'interrupteur, placez l'interrupteur ON/OFF/RESET (Marche/arrêt/réinitialisation) à OFF (Arrêt), puis attendez cinq minutes avant de le remettre à ON (Marche).

ATTENTION

- Si vous devez continuellement réinitialiser l'interrupteur, débranchez l'appareil et appelez votre centre de réparation autorisé.

B. COMMANDE DE LA FLAMME (modèle 32E-XL seulement)
Tournez le bouton de la commande FLAME ACTION (flamme) à la vitesse désirée.

C. COMMANDE DE LUMINOSITÉ DE LA FLAMME
Tournez le bouton de la commande FLAME BRIGHTNESS (Luminosité de la flamme) pour augmenter ou diminuer la

luminosité de la flamme et de la braise.

D. INTERRUPTEUR DE L'ÉLÉMENT CHAUFFANT

L'interrupteur HEATER ON/OFF (Marche/arrêt de l'élément) fournit l'alimentation électrique à l'élément chauffant lorsque l'interrupteur principal (A) est réglé à ON (Marche).

E. THERMOSTAT DE L'ÉLÉMENT CHAUFFANT

Pour régler la température désirée, tournez le thermostat complètement dans le sens horaire pour allumer l'élément chauffant. Lorsque la température désirée est atteinte dans la pièce, tournez le thermostat dans le sens antihoraire jusqu'à ce que vous entendiez un «déclic». Laissez la commande à cette position pour maintenir cette température dans la pièce. Pour augmenter la température, tournez la commande dans le sens horaire jusqu'à ce que vous entendiez à nouveau un «déclic» et que l'élément se mette en marche.

REMARQUE

- Lorsqu'il s'allume pour la première fois, l'élément chauffant peut produire une légère odeur non toxique. Ce phénomène normal est provoqué par le chauffage initial des pièces internes et ne devrait plus se reproduire.

3. Pour dissimuler les commandes pendant le fonctionnement, relevez la grille à sa position initiale. Le voyant ON/OFF peut demeurer visible.

ENTRETIEN

Durée moyenne de fonctionnement	jour	Durée de vie utile
2 heures		3 ans
4 heures		1,5 an
6 heures		1 an

MISE EN GARDE

- Coupez l'alimentation électrique avant d'effectuer l'entretien ou le nettoyage de l'appareil afin de réduire les risques d'incendie, de chocs électriques ou de blessures.

- **Remplacement des ampoules :**

REMARQUE

- Laissez refroidir les ampoules pendant au moins cinq minutes avant d'y toucher afin d'éviter de vous brûler.

Lorsque vous remarquez qu'une section de la flamme est sombre ou que la luminosité ou les détails de l'extérieur des bûches se détériorent, il faut remplacer les ampoules. Il y a deux ampoules à la partie supérieure de l'ouverture qui éclairent l'extérieur des bûches, et quatre ampoules sous les bûches qui produisent les flammes et la braise.

Outils nécessaires : Tournevis à embout plat

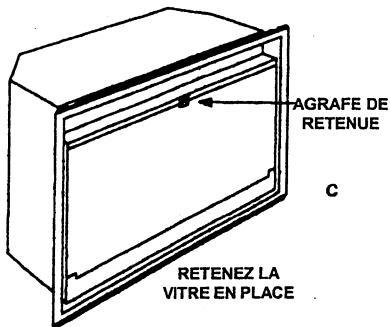
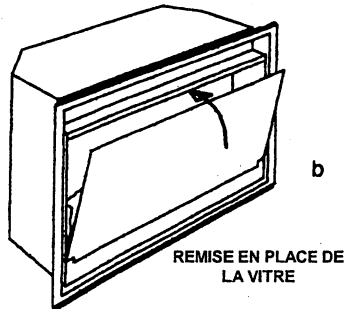
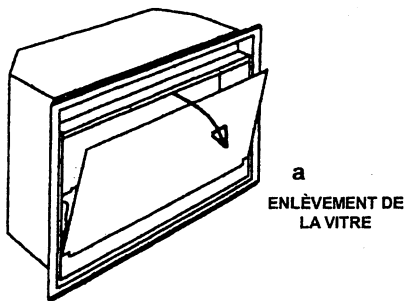


FIGURE 10 (a,b,c)

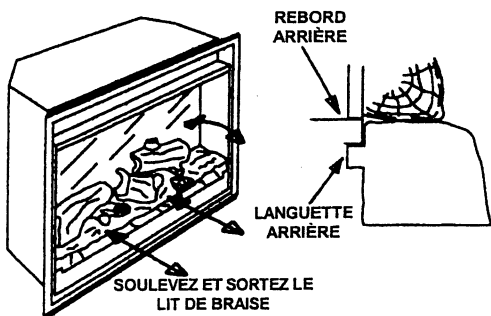


FIGURE 11

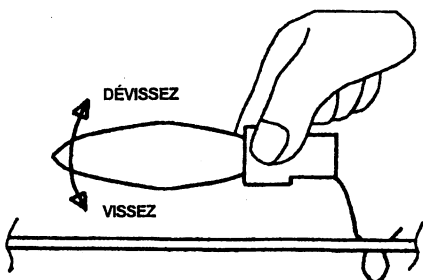


FIGURE 12

Pour ouvrir le compartiment des ampoules :

1. Enlevez le cadre de la porte en le soulevant et en l'éloignant de la vitre.
2. Retenez la vitre en place pendant que vous enlevez l'agrafe de retenue, comme indiqué à la FIGURE 10 (a,b,c).
3. Soulevez la vitre et placez-la à un endroit sûr.

ATTENTION

Même si la vitre est fabriquée en verre de sécurité, elle peut se casser si vous la heurtez, la cognez ou la laissez tomber par terre. Manipulez la vitre avec soin.

Conseils pratiques

Débranchez le foyer avant de remplacer les ampoules supérieures ou inférieures.

Nous vous conseillons de remplacer toutes les ampoules en même temps lorsqu'elles arrivent à la fin de leur durée de vie utile. En les remplaçant simultanément, vous réduirez le nombre de fois que vous aurez à ouvrir l'appareil pour remplacer les ampoules.

Pour remplacer les ampoules inférieures qui produisent les flammes et la braise :

Ampoules requises : 4 ampoules transparentes à petit culot (E-12) pour lustre ou chandelier de 60 watts. Exemple : GE 60BC ou Philips 60CTC.

ATTENTION

Puissance maximale de 60 watts par ampoule.

1. Soulevez délicatement la bordure avant de la base du lit de braise pour la dégager des languettes avant. Tirez jusqu'à ce que la languette arrière soit dégagée du rebord arrière, puis soulevez le lit de braise (FIGURE 11).
2. Examinez les ampoules pour déterminer celles que vous devez remplacer.
3. Tenez la douille pendant que vous dévissez l'ampoule (FIGURE 12).
4. Tenez la douille pendant que vous vissez la nouvelle ampoule.
5. Remettez le lit de braise en place en le poussant à l'intérieur jusqu'à ce qu'il soit appuyé contre le miroir (FIGURE 11).

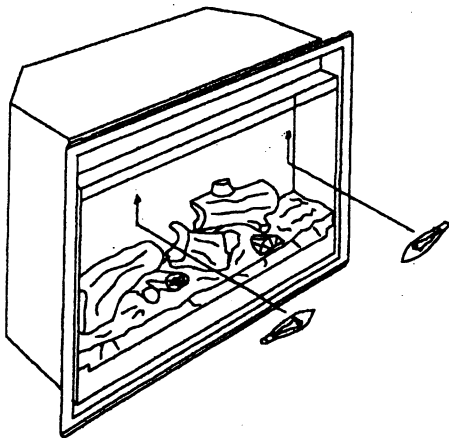


FIGURE 13

· **Pour remplacer les deux ampoules supérieures qui éclairent l'extérieur des bûches :**

Ampoules requises : 2 ampoules transparentes à petit culot (E-12) pour lustre ou chandelier. Reportez-vous à l'étiquette placée à proximité des ampoules supérieures pour connaître la puissance appropriée à votre modèle.

ATTENTION

· Puissance maximale de 15 watts par ampoule.

1. Examinez les ampoules pour déterminer celles qu'il faut remplacer (FIGURE 13).
2. **Tenez la douille pendant que vous dévissez l'ampoule (FIGURE 12).**
3. **Tenez la douille pendant que vous vissez la nouvelle ampoule.**

· **Pour réassembler le compartiment des ampoules**

1. Remettez la vitre en place et maintenez-la à la partie supérieure (FIGURE 10b).
2. Réinstallez l'agrafe de retenue pour maintenir la vitre en place (FIGURE 10c).
3. Rebranchez le foyer.

· **Nettoyage de la vitre :**

La vitre a été nettoyée à l'usine lors de l'assemblage du foyer. Pendant le transport, l'installation, la manipulation, etc., des particules de poussière peuvent s'accumuler à la surface de la vitre. Vous pouvez les enlever en essuyant légèrement la vitre à l'aide d'un chiffon sec et propre.

Pour enlever les marques de doigts ou autres, vous pouvez nettoyer la vitre à l'aide d'un linge imbibé d'un produit nettoyant domestique de bonne qualité pour les vitres. Asséchez complètement la vitre avec un linge sans charpie ou un essuie-tout.

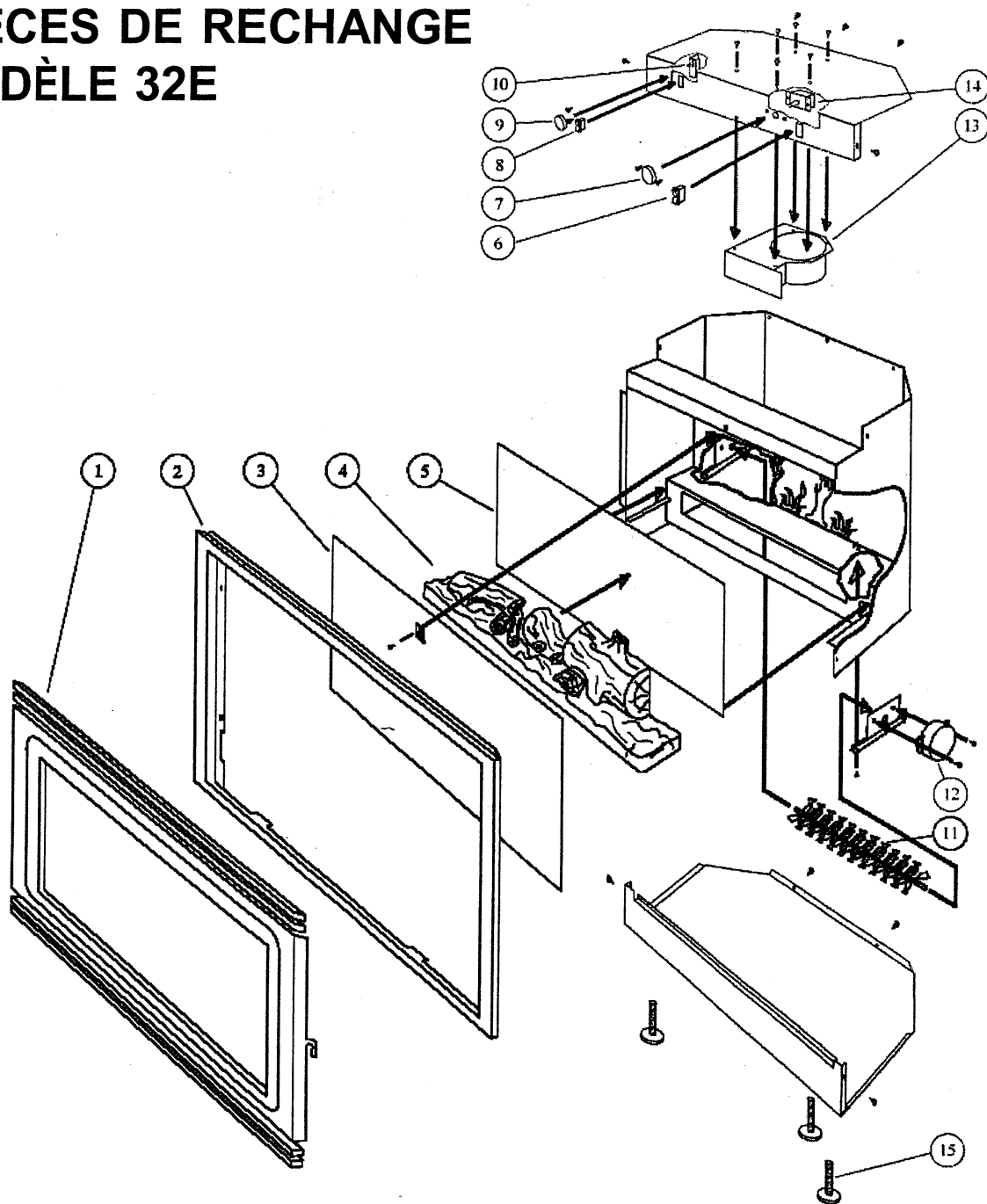
ATTENTION

· N'utilisez pas de produits nettoyants abrasifs sur la vitre et ne vaporisez pas directement des produits nettoyants sur l'une des surfaces du foyer.

Conseils utiles

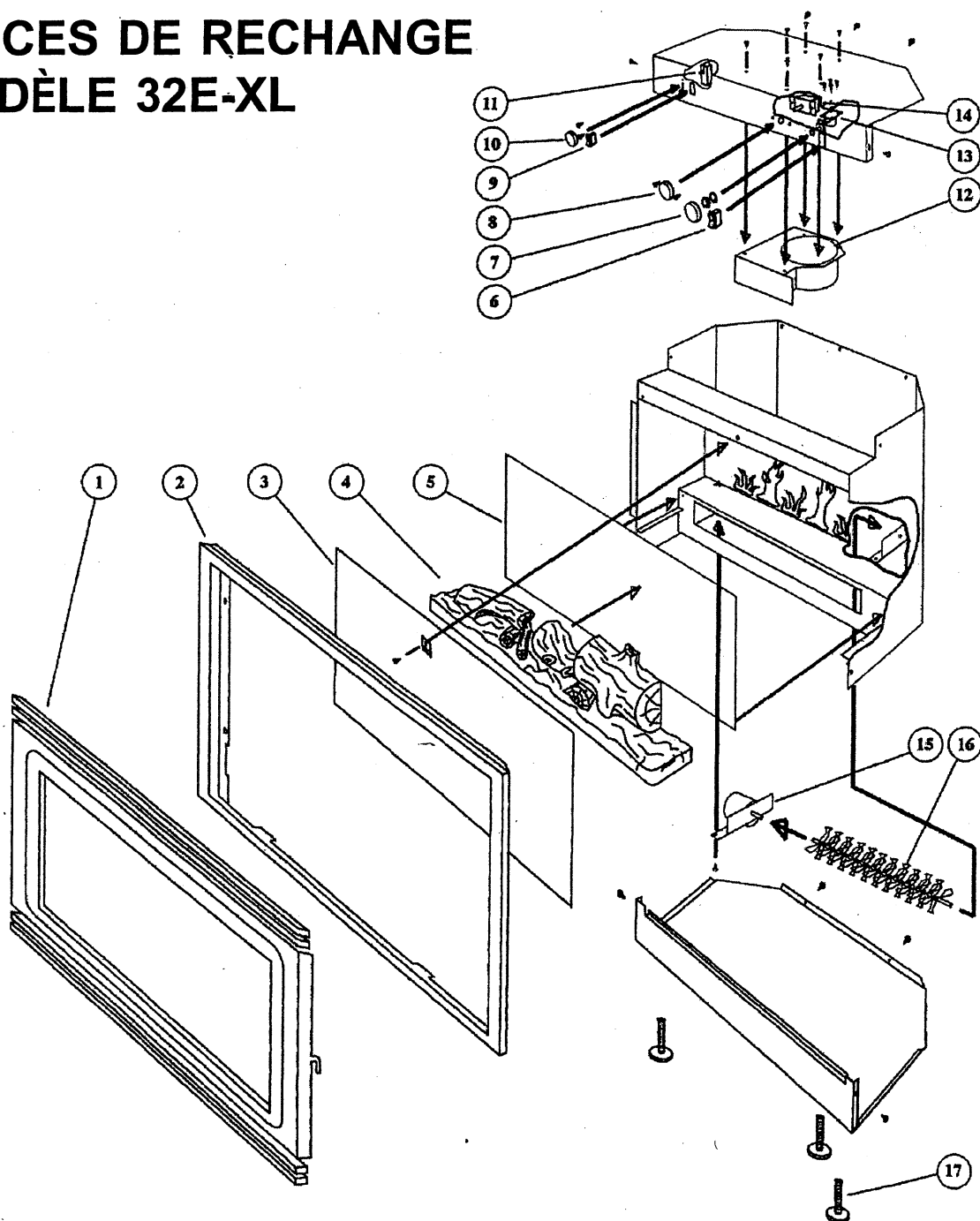
Lorsque vous remplacez des ampoules, profitez de l'occasion pour nettoyer la surface intérieure de la vitre.

PIÈCES DE RECHANGE MODÈLE 32E



1. Porte décorative	SRV6900300159	10. Thermostat	SRV2300150100
2. Cadre	SRV6900310159	11. Réflecteur rotatif	SRV6900190500
3. Vitre	SRV6900100800	12. Moteur à c.a.	SRV2000140100
4. Bûches et braise	SRV0437880100	13. Élément chauffant	SRV2200290600
5. Miroir	SRV6900100700	14. Rhéostat	SRV2800020100
6. Interrupter principal	SRV2800070200	15. Pied de nivellement	SRV8800100100
7. Bouton du rhéostat	SRV8800000100		
8. Interrupter de l'élément	SRV2800070200		
9. Bouton du thermostat	SRV8800000300		

PIÈCES DE RECHANGE MODÈLE 32E-XL



1. Porte décorative	SRV6900300159
2. Cadre	SRV6900310159
3. Vitre	SRV6900100900
4. Bûches et braise	SRV0437880200
5. Miroir	SRV6900100700
6. Interrupter principal	SRV2800070200
7. Bouton de commande de la flamme	SRV8800000200
8. Bouton du rhéostat	SRV8800000100
9. Interrupter de l'élément	SRV2800070200

10. Bouton du thermostat	SRV8800000300
11. Thermostat	SRV2300150100
12. Élément chauffant	SRV2200290600
13. Commande de la flamme	SRV3000180300
14. Rhéostat	SRV2800020100
15. Moteur à c.c.	SRV2000150100
16. Réflecteur rotatif	SRV6900190400
17. Pied de nivellement	SRV8800100100

GARANTIE

Avant leur expédition, les foyers électriques Heat-N-Glo ont été vérifiés et inspectés. Tous les produits neufs sont garantis contre tout défaut. Deux ans à partir de la date de fabrication, nous réparerons ou remplacerons sans frais* toute pièce qui se révèle défectueuse en raison d'un vice de matières ou de fabrication dans des conditions normales d'utilisation. Le fabricant ne se tient nullement responsable des frais engagés pour l'installation ou l'enlèvement, et les frais de transport. Tout défaut doit être porté à l'attention du détaillant où le produit a été acheté. Celui-ci est autorisé à réparer ou remplacer le produit, conformément aux conditions de la présente garantie.

En vertu de la présente garantie, la responsabilité du fabricant se limite à la réparation ou au remplacement, à son choix, de toute pièce qui se révèle défectueuse ou au remboursement du prix d'achat du produit.

Le propriétaire ou l'utilisateur doit assumer tous les risques, le cas échéant, y compris le risque de pertes ou de dommages directs ou indirects découlant du fait d'utiliser ou de l'impossibilité d'utiliser le produit.

La garantie ne s'applique pas si le fabricant estime que la défectuosité ou les dommages sont attribuables à un accident, une modification, une utilisation abusive ou inappropriée, une installation incorrecte ou une alimentation électrique inappropriée.

La présente garantie remplace toutes les autres garanties expresses, implicites ou statutaires. De plus, le fabricant n'assume aucune autre obligation ou responsabilité relative au produit et n'autorise personne d'autre à le faire en son nom.

* Les ampoules ne sont pas couvertes par la garantie.

ACCESSOIRES

Pour obtenir des accessoires Heat-N-Glo, communiquez avec votre dépositaire local. Exemple : Ensemble de façade et Ensemble de manteau et tablette de cheminée pour votre nouveau foyer électrique Electrafire.