



# Double Door Kit Installation Instructions

For use with LCUF32CR-B, LCUF36CR-B, LCUF42CR-B, LSTF36-B



**WARNING:** Turn appliance OFF and allow to cool before servicing. Only a qualified service person should service and repair this insert. A qualified service person must connect and disconnect the insert to/from the gas supply. Follow all local codes.

**IMPORTANT:** Read entire instruction sheet before installing door kit.

## KIT CONTENTS:

- One (1) double door frame assembly
- One (1) door drill template
- One (1) drill bit
- Two (2) #8 x 1/2" screws

## TOOL REQUIRED:

Phillips head screwdriver and cordless drill

## Installation Instructions

1. Remove canopy from unit by loosening three (3) screws and sliding away from unit. Remove the three (3) screws completely.
2. Remove screens and screen rods from unit by removing one (1) screw from screen rod, tilt away from unit and pull away from side. Repeat for opposite side. Discard screens and screen rods.
3. Using drill template, sit inside bottom lip of bottom face and slide to left corner. Using supplied drill bit, drill through bottom face hole in template. Repeat on opposite side of face bottom. See Figure 1.

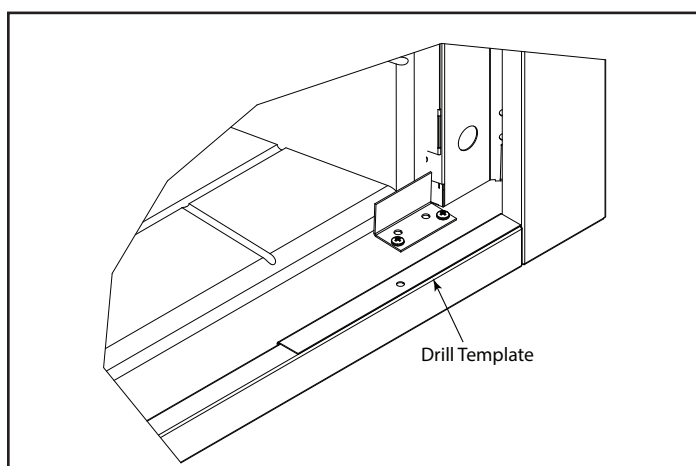


Figure 1 - Drill Template

4. Remove two (2) screws securing doors to frame assembly at top of door assembly.
5. Open doors on frame assembly and sit up near opening. Reaching through the doors, attach top of door frame to top face with three (3) screws for canopy leaving screws loosened.

## WARNING

Use of this door kit requires the use of either the standard or one of the optional liner kits.

6. Flex side brackets as needed to slide between firebox side and brick or glass panels. See Figure 2.

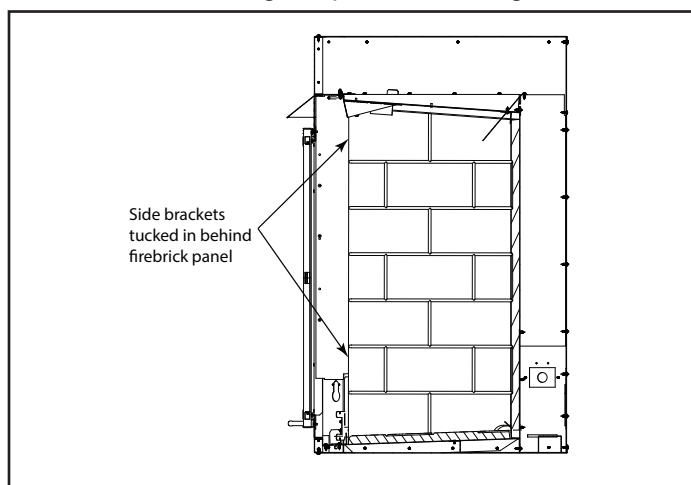


Figure 2 - Side Bracket Location

7. Slip door frame bottom up onto face bottom and attach with two (2) screws provided into holes drilled with template. Tighten bottom screws.
8. Slide canopy into place around top and sides of door frame. Holding canopy in place, tighten three (3) screws to snug door and canopy.

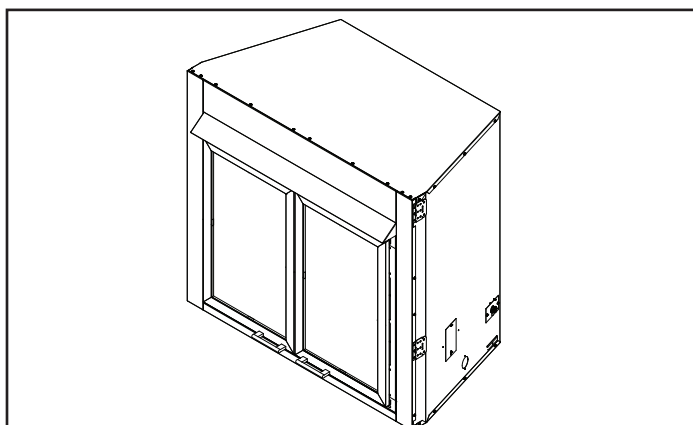


Figure 3 - Door Kit Installed

Monessen, a brand of Hearth & Home Technologies  
7571 215th Street West, Lakeville, MN 50044  
[www.monessenhearth.com](http://www.monessenhearth.com)