

Log Placement Manual

Installation and Setup

INSTALLER: Leave this manual with party responsible for use and operation.

OWNER: Retain this manual for future reference.

NOTICE: DO NOT discard this manual!



Charisma, Dynamo, Moxie Log Sets for Glow Getter Series

Model(s):

CR18-H, CR24-H, CR30-H

DY18-H, DY24-H, DY30-H

MX18-H, MX24-H, MX30-H

GAS-FIRED



LISTED

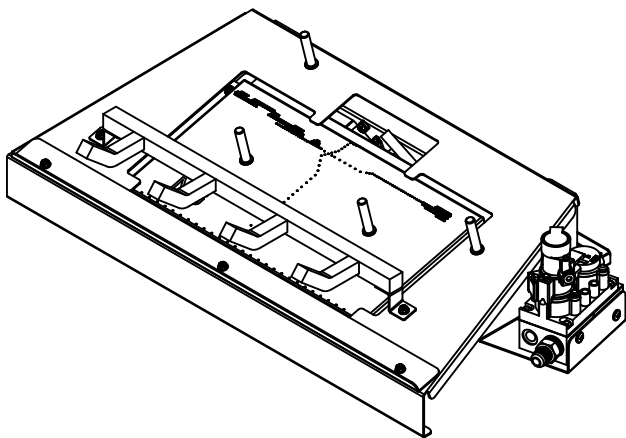
MH62794

GAS-FIRED



LISTED

MH62954



WARNING

The positioning of the logs is critical to the safe, clean operation of this gas log set. Sooting and other problems may result if the logs are not properly positioned per these instructions. Failure to position in accordance with the diagrams below or failure to use only parts specifically approved for this log set may result in property damage or personal injury.

WARNING

- Logs are fragile, handle with care.
- Gloves are recommended when handling logs to prevent skin irritation from loose fibers.
- Use only rock wool provided with log set. Do NOT add additional rock wool.
- Wash hands after placing rock wool; Itching may occur.

NOTE: Installation instructions are the same for 18", 24" and 30" log sets. Pictures used in this instruction illustrate the 24" sets. Some variation may exist between the images and the set included with the instructions.

CAUTION

DO NOT sprinkle volcanic rocks on the logs, around the pilot, or on the surface of the burner. This may cause sooting. Place volcanic rocks only on the floor of the fireplace.

⚠ Safety Alert Key:

- **DANGER!** Indicates a hazardous situation which, if not avoided will result in death or serious injury.
- **WARNING!** Indicates a hazardous situation which, if not avoided could result in death or serious injury.
- **CAUTION!** Indicates a hazardous situation which, if not avoided, could result in minor or moderate injury.
- **NOTICE:** Used to address practices not related to personal injury.

Table of Contents

1 Charisma Log Set (CR18-H, CR24-H & CR30-H)

- A. Rock Wool Placement 3
- B. Log Placement 3

2 Dynamo Log Set (DY18-H, DY24-H & DY30-H)

- A. Rock Wool Placement 5
- B. Log Placement 5

3 Moxie Log Set (MX18-H, MX24-H & MX30-H)

- A. Rock Wool Placement 7
- B. Log Placement 7

4 Service Parts

- A. Service Parts 9
- B. Contact Information 18

▶ = Contains updated information

1 Charisma Log Set (CR18-H, CR24-H & CR30-H)

A. Rock Wool Placement

Before installing logs, place rock wool in front of the grate. Loosely apply nickel size pieces allowing gas to flow through the rock wool and not be obstructed. Failure to do so may cause a high level of CARBON MONOXIDE. See Figure 1.1.



Figure 1.1 Rock Wool Placement

B. Log Placement

1. Place Log #1 on the right-hand side of the burner assembly by positioning the pin locator hole on the bottom of the log over the pin on the right-hand side of the burner assembly. Rotate the log clockwise until back of log is aligned with the rear of the burner assembly. See Figure 1.2.



Figure 1.2 Log #1

2. Place Log #2 toward the back and to the left by positioning the pin locator hole on the bottom of the log over the pin on the left-hand side of the burner assembly. Align back of the log with the rear of the burner assembly. See Figure 1.3.



Figure 1.3 Log #2

3. Place Log #3 by positioning the notch on the bottom of the log over the left side of the grate. Rest the back of the log onto the left end of Log #2. See Figure 1.4.



Figure 1.4 Log #3

- Place Log #4 by positioning the pin locator hole on the bottom of the log over the right pin behind the grate. Rest the right end of the log over the notch on Log #1. See Figure 1.5.



Figure 1.5 Log #4

- Place Log #5 by positioning the pin locator hole on the bottom of the log over the left pin behind the grate. Rest the left end of the log over the notch on Log #3. The ember face of Log #4 and Log #5 should be straight and approximately 1/2" behind the grate bar. See Figure 1.6.



Figure 1.6 Log #5

- Place Log #6 by positioning the pin locator hole on the bottom of the log over the pin on Log #2 and set on top of Log #4. See Figure 1.7.



Figure 1.7 Log #6

- Place Log #7 by positioning the two pin locator holes on the bottom of the log over the pins on Log #1 and Log #2. See Figure 1.8.



Figure 1.8 Log #7

- Place Log #8 by positioning the pin locator hole over the pin on Log #1 and by rotating the log counter clockwise to match the notch with the first tine on the grate. See Figure 1.9.



Figure 1.9 Log #8

2 Dynamo Log Set (DY18-H, DY24-H & DY30-H)

A. Rock Wool Placement

Before installing logs, place rock wool in front of the grate. Loosely apply nickel size pieces allowing gas to flow through the rock wool and not be obstructed. Failure to do so may cause a high level of CARBON MONOXIDE. See Figure 2.1.



Figure 2.1 Rock Wool Placement

B. Log Placement

1. Place Log #1 on the left-hand side of the burner assembly by positioning the pin locator hole onto the log pin on the left-hand side of the burner. When in place, make sure the back is aligned with the back of the burner assembly. See Figure 2.2.



Figure 2.2 Log #1

2. Place Log #2 on the right-hand side of the burner assembly by positioning the pin locator hole onto the log pin on the right-hand side of the burner. When in place, make sure the back of Log #2 is aligned with the back of the burner assembly. See Figure 2.3.



Figure 2.3 Log #2

3. Place Log #3 in the lower left area of the burner assembly with the cut out wrapping around the grate and the front of the log up against the front lip of the burner assembly. See Figure 2.4.

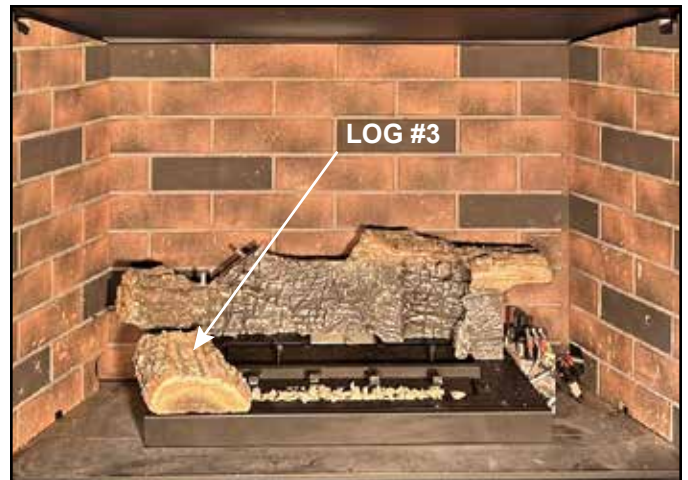


Figure 2.4 Log #3

- Place Log #4 in the center of the burner with the two pin locator holes lining up with the two log pins on the burner assembly. Make sure Log #4 is sitting all the way down on the burner. See Figure 2.5

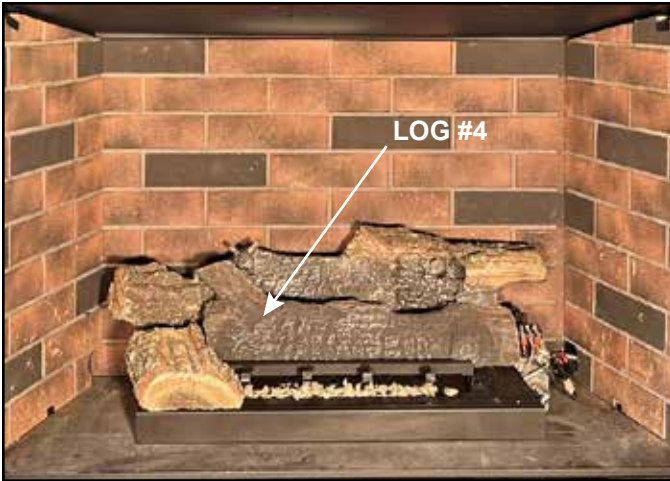


Figure 2.5 Log #4

- Place Log #6 by lining up the locating pins that are on Log #1 and Log #2 with the slots on the bottom of Log #6. When in place, Log #6 will be leaning on Log #5. See Figure 2.7.

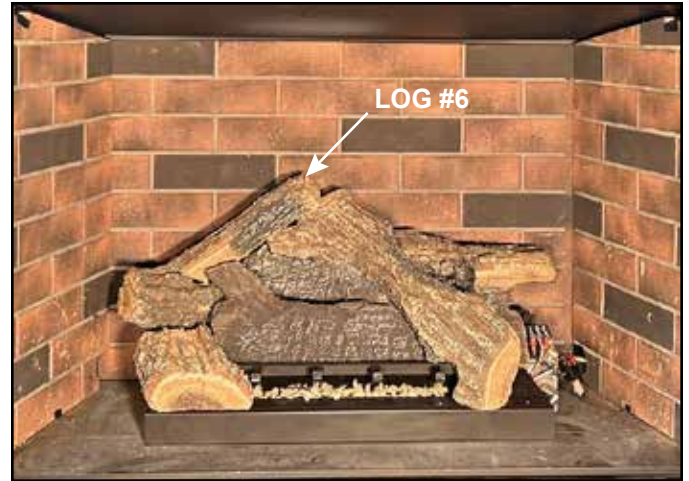


Figure 2.7 Log #6

- Place Log #5 so the cut out wraps around the lower right grate tine. Log #5 should sit on the upper left flat area of Log #2. Make sure Log #5 is rotated to the right as far as possible to avoid flame impingement. See Figure 2.6.



Figure 2.6 Log #5

- Place Log #7 on the lower right side of the burner. Log #7 should rest on the front edge of the burner and the lower left side should contact Log #5. The upper left side of Log #7 should sit flush against the positioning tab on Log #2. See Figure 2.8.



Figure 2.8 Log #7

3 Moxie Log Set (MX18-H, MX24-H & MX30-H)

A. Rock Wool Placement

Before installing logs, place rock wool in front of the grate. Loosely apply nickel size pieces allowing gas to flow through the rock wool and not be obstructed. Failure to do so may cause a high level of CARBON MONOXIDE. See Figure 3.1.



Figure 3.1 Rock Wool Placement

B. Log Placement

1. Place Log #1 behind the grate by positioning the two pin locator holes on the bottom of the log over the pins behind the grate. Push the log down to make sure it rests flat over the metal base. See Figure 3.2.

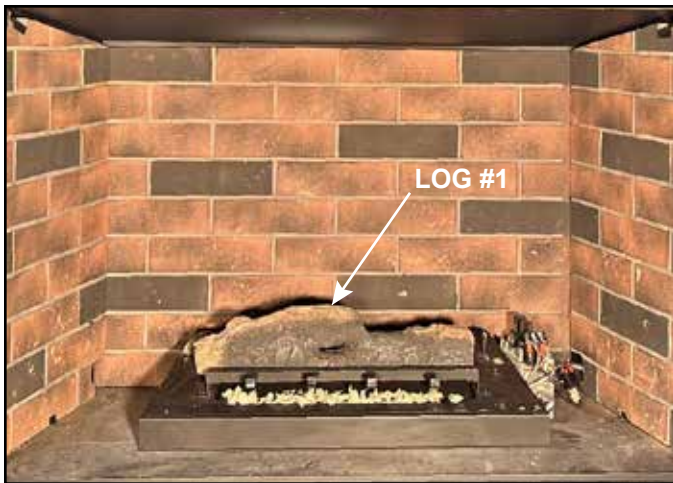


Figure 3.2 Log #1

2. Place Log #2 the right side of the burner assembly by positioning the pin locator hole on the bottom of the log over the pin on the right-hand side. See Figure 3.3.



Figure 3.3 Log #2

3. Place Log #3 by matching the two notches on the bottom of the log with the grate bar on the left and the pointed end of Log #1. See Figure 3.4.



Figure 3.4 Log #3

- Place Log #4 by positioning the pin locator hole on the bottom of the log over the rear left pin on the burner assembly toward the back and resting the left end of the log over Log #3. Make sure that the flat surface on the back of the log is aligned with the rear of the burner assembly. See Figure 3.5.



Figure 3.5 Log #4

- Place Log #5 by positioning it over the notch on Log #1 and by sliding the wide end toward the back. When in place, the left rear of Log #5 should come in contact with Log #4 and the left side of the slot on Log #1. It should match with Log #4. See Figure 3.6.



Figure 3.6 Log #5

- Place Log #6 by positioning the two pin locator holes on the bottom of the log over the two pins on Log #4 and Log #5. See Figure 3.7.



Figure 3.7 Log #6

- Place Log #7 behind Log #2, aligned with the rear edge of the burner assembly. The branch on Log #7 should rest on Log #5. See Figure 3.8.



Figure 3.8 Log #7

- Place Log #8 against the first tine on the grate on the right and rest the pointed end over Log #2. See Figure 3.9.



Figure 3.9 Log #8

4 Service Parts

A. Service Parts



Service Parts

CR18-H

Charisma 18" Log Set

Beginning Manufacturing Date: Aug 2017
Ending Manufacturing Date: Active



IMPORTANT: THIS IS DATED INFORMATION. Parts must be ordered from a dealer or distributor. **Hearth and Home Technologies does not sell directly to consumers.** Provide model number and serial number when requesting service parts from your dealer or distributor.



Stocked at Depot

ITEM	DESCRIPTION	COMMENTS	PART NUMBER	Stocked at Depot
1	Log #1, Charisma 18"		4606-310	
2	Log #2, Charisma 18"		4606-311	
3	Log #3, Charisma 18"		4606-312	
4	Log #4, Charisma 18"		4606-313	
5	Log #5, Charisma 18"		4606-314	
6	Log #6, Charisma 18"		4606-315	
7	Log #7, Charisma 18"		4606-316	
8	Log #8, Charisma 18"		4606-317	



IMPORTANT: THIS IS DATED INFORMATION. Parts must be ordered from a dealer or distributor. **Hearth and Home Technologies does not sell directly to consumers.** Provide model number and serial number when requesting service parts from your dealer or distributor.



Stocked at Depot

ITEM	DESCRIPTION	COMMENTS	PART NUMBER
1	Log #1, Charisma 24"		4606-318
2	Log #2, Charisma 24"		4606-319
3	Log #3, Charisma 24"		4606-320
4	Log #4, Charisma 24"/30"		4606-321
5	Log #5, Charisma 24"/30"		4606-322
6	Log #6, Charisma 24"/30"		4606-323
7	Log #7, Charisma 24"		4606-324
8	Log #8, Charisma 24"		4606-325



IMPORTANT: THIS IS DATED INFORMATION. Parts must be ordered from a dealer or distributor. **Hearth and Home Technologies does not sell directly to consumers.** Provide model number and serial number when requesting service parts from your dealer or distributor.



Stocked at Depot

ITEM	DESCRIPTION	COMMENTS	PART NUMBER
1	Log #1, Charisma 30"		4606-326
2	Log #2, Charisma 30"		4606-327
3	Log #3, Charisma 30"		4606-328
4	Log #4, Charisma 24"/30"		4606-321
5	Log #5, Charisma 24"/30"		4606-322
6	Log #6, Charisma 24"/30"		4606-323
7	Log #7, Charisma 30"		4606-332
8	Log #8, Charisma 30"		4606-333



IMPORTANT: THIS IS DATED INFORMATION. Parts must be ordered from a dealer or distributor. **Hearth and Home Technologies does not sell directly to consumers.** Provide model number and serial number when requesting service parts from your dealer or distributor.



Stocked at Depot

ITEM	DESCRIPTION	COMMENTS	PART NUMBER	Stocked at Depot
1	Log #1, Left Middle Log		SRV4110-305	
2	Log #2, Rear Log		SRV4110-301	
3	Log #3, Left Bottom Front Log		SRV4110-307	
4	Log #4, Middle Log		SRV4110-302	
5	Log #5, Left Front Crossover		SRV4110-303	
6	Log #6, Left Rear Top Log		SRV4110-306	
7	Log #7, Right Log		SRV4110-304	



IMPORTANT: THIS IS DATED INFORMATION. Parts must be ordered from a dealer or distributor. **Hearth and Home Technologies does not sell directly to consumers.** Provide model number and serial number when requesting service parts from your dealer or distributor.



Stocked at Depot

ITEM	DESCRIPTION	COMMENTS	PART NUMBER	Stocked at Depot
1	Log #1, Left Middle Log		SRV4110-316	
2	Log #2, Rear Log		SRV4110-311	
3	Log #3 Left Bottom Front		SRV4110-314	
4	Log #4, Middle Log		SRV4110-313	
5	Log #5, Left Front Crossover		SRV4110-312	
6	Log #6, Left Rear Top		SRV4110-317	
7	Log #7, Right Log		SRV4110-315	

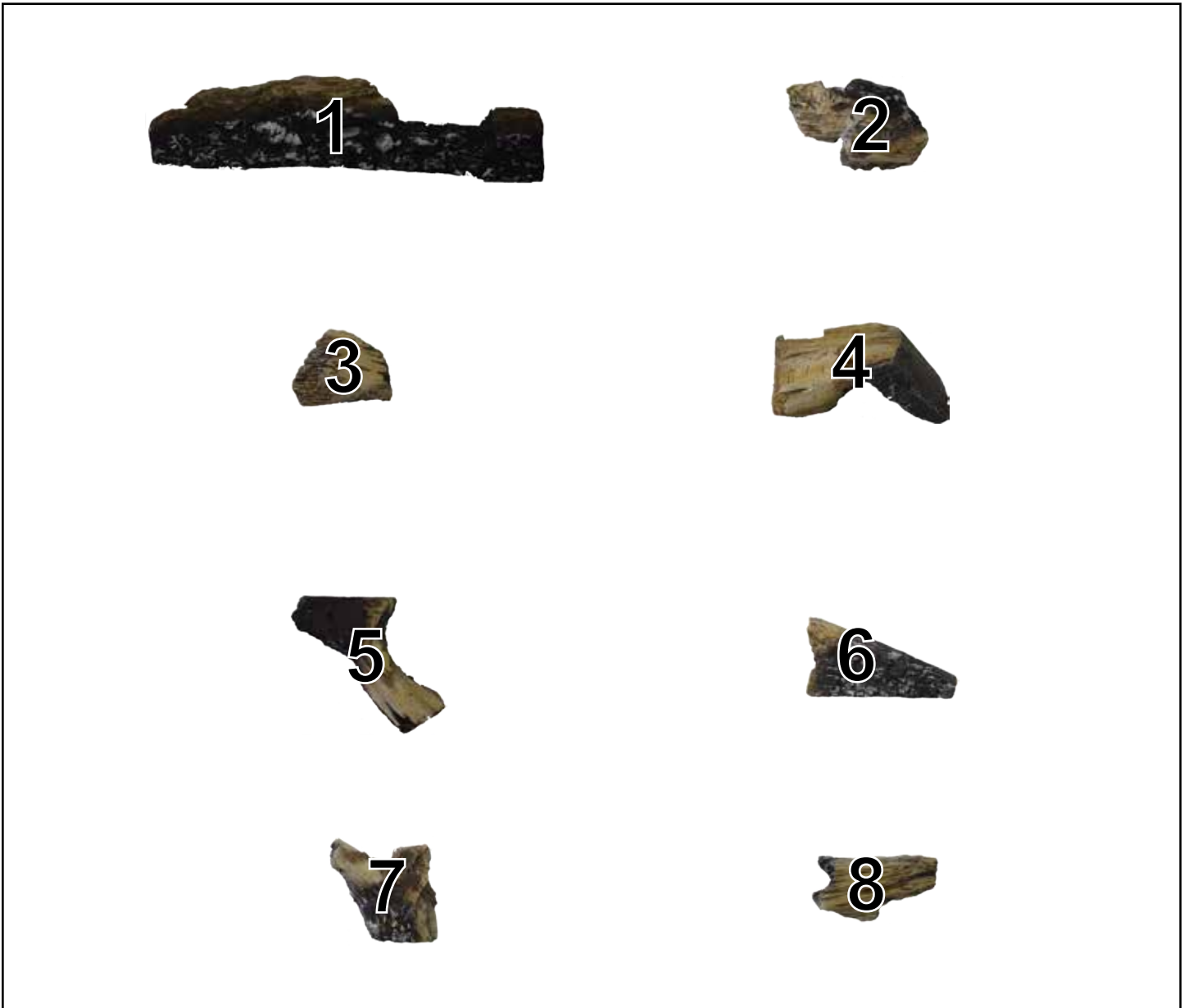


IMPORTANT: THIS IS DATED INFORMATION. Parts must be ordered from a dealer or distributor. **Hearth and Home Technologies does not sell directly to consumers.** Provide model number and serial number when requesting service parts from your dealer or distributor.



Stocked at Depot

ITEM	DESCRIPTION	COMMENTS	PART NUMBER	
1	Log #1, Middle Left Log		SRV4110-322	
2	Log #2, Rear Log		SRV4110-311	
3	Log #3, Left Bottom Front		SRV4110-324	
4	Log #4, Middle Log		SRV4110-313	
5	Log #5, Left Front Crossover		SRV4110-312	
6	Log #6, Left Rear Top		SRV4110-323	
7	Log #7, Right Log		SRV4110-321	



IMPORTANT: THIS IS DATED INFORMATION. Parts must be ordered from a dealer or distributor. **Hearth and Home Technologies does not sell directly to consumers.** Provide model number and serial number when requesting service parts from your dealer or distributor.


Stocked at Depot

ITEM	DESCRIPTION	COMMENTS	PART NUMBER
1	Log #1, Moxie 18"		4606-334
2	Log #2, Moxie 18"		4606-335
3	Log #3, Moxie 18"		4606-336
4	Log #4, Moxie 18"		4606-337
5	Log #5, Moxie 18"		4606-338
6	Log #6, Moxie 18"		4606-339
7	Log #7, Moxie 18"		4606-340
8	Log #8, Moxie 18"		4606-341



IMPORTANT: THIS IS DATED INFORMATION. Parts must be ordered from a dealer or distributor. **Hearth and Home Technologies does not sell directly to consumers.** Provide model number and serial number when requesting service parts from your dealer or distributor.


Stocked at Depot

ITEM	DESCRIPTION	COMMENTS	PART NUMBER
1	Log #1, Moxie 24"/30"		4606-343
2	Log #2, Moxie 24"		4606-344
3	Log #3, Moxie 24"		4606-345
4	Log #4, Moxie 24"		4606-346
5	Log #5, Moxie 24"		4606-347
6	Log #6, Moxie 24"		4606-348
7	Log #7, Moxie 24"		4606-349
8	Log #8, Moxie 24"		4606-350



IMPORTANT: THIS IS DATED INFORMATION. Parts must be ordered from a dealer or distributor. **Hearth and Home Technologies does not sell directly to consumers.** Provide model number and serial number when requesting service parts from your dealer or distributor.


Stocked at Depot

ITEM	DESCRIPTION	COMMENTS	PART NUMBER
1	Log #1, Moxie 24"/30"		4606-343
2	Log #2, Moxie 30"		4606-353
3	Log #3, Moxie 30"		4606-354
4	Log #4, Moxie 30"		4606-355
5	Log #5, Moxie 30"		4606-356
6	Log #6, Moxie 30"		4606-357
7	Log #7, Moxie 30"		4606-358
8	Log #8, Moxie 30"		4606-359

