



Hi/Lo Variable Flame Height Kit and Remote Control Instructions

Models: GG18NV, GG18PV, GG24NV, GG24PV, NB18NV, NB18PV, NB24NV, NB24PV

Kit Contents:

- Hi/Lo SIT Stepper Motor (820 NG-3.5 for Natural Gas, 820 LP-10 for Liquid Propane).
- Pro-Flame Receiver Kit.
- Pro-Flame Transmitter (Remote).
- Pro-Flame Wire Harnesses.
- Installation Instruction.

Tools Required:

- Gloves.
- Torx T20 Safety Driver.
- Small Flathead Screwdriver.

Check to make sure that all parts have been received and are correct. If not, contact your dealer before beginning installation.

• This kit must be installed by a qualified service agency.

CAUTION Before installing kit:

- Shut off gas supply
- Allow unit to cool

⚠ WARNING

This Hi/Lo kit shall be installed by a qualified service agency in accordance with manufacture’s instructions. If all information in these instructions is not followed exactly, a fire, explosion or production of carbon monoxide may result causing property damage, personal injury or loss of life.

The qualified service agency is responsible for the proper installation of this kit. The installation is not complete until operation of the appliance is checked as specified in the manufacturer’s instructions supplied with the kit.

LOGS MAY BE HOT TO THE TOUCH. HANDLE THE LOGS WITH GLOVES AND PLACE THEM ON A NONCOMBUSIBLE SURFACE WHEN THEY HAVE BEEN REMOVED FROM THE UNIT.

1. Remove the logs from the unit and set aside.
2. Using a Torx T20 driver, remove and discard the regulator and rubber gasket in the face of the valve. Refer to regulator instructions provided with the Hi/Lo stepper motor included in your kit .
3. Using a Torx T20 driver, Install the Hi/Lo stepper motor with rubber gasket from Hi/Lo kit. Make sure the gasket is sealed properly.
4. Disconnect the two (2) female connectors for the log switch from the TP/TH and TH terminals on the control valve.
5. Connect the 14-pin female connector from the wire harness provided with your kit to the 14-pin male connector on the back of the receiver that is also provided with your kit.

6. Connect the two (2) 1/4" female connectors to the valve. The white wire connects to the TP/TH terminal and the green wire connects to the TH terminal on the valve. See Figure 1.

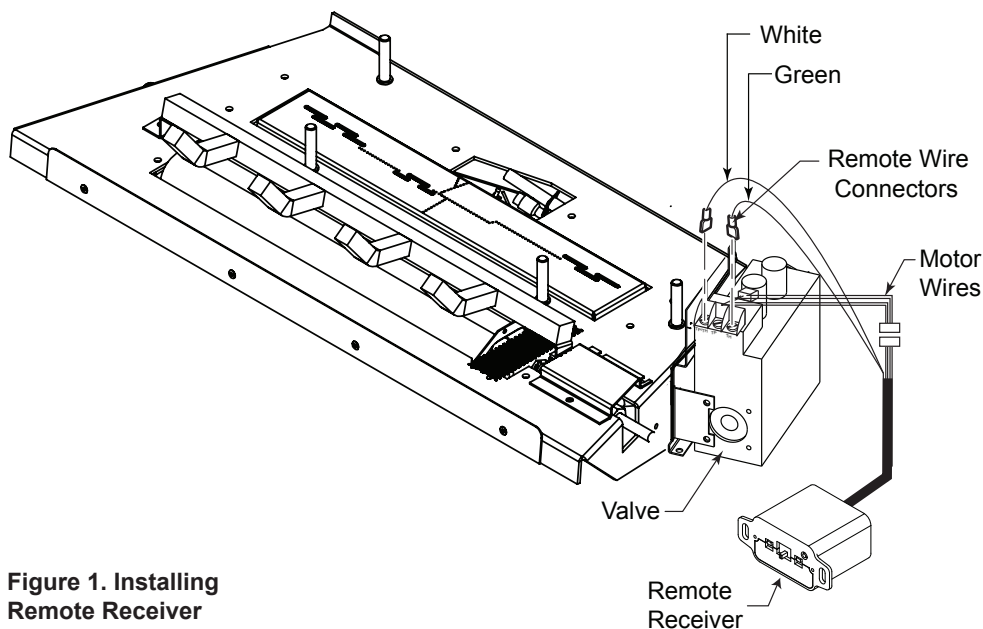


Figure 1. Installing Remote Receiver

7. Connect the four-pin connector of the wire connected to the control valve to the four-pin connector of the wire harness connected to the back of the receiver.
8. Set the remote receiver inside your unit in place of the log switch removed earlier.
9. After the batteries have been installed in the remote and the receiver, move the three position slider switch to "Remote" position.
10. Use the end of a paper clip, or other similar object, to push in the hole marked "PRG:" on the receiver front (you should hear three beeps for conformation).
11. On the remote, push the ON button (you will hear four beeps to confirm the synchronization of your device).
12. For further instructions, refer to the instruction sheet included with the SIT Pro-flame remote.
13. Turn the gas on and using a soapy water solution check for leaks.
14. Using the small flathead screwdriver and a monometer, check the manifold pressure for conformation 3.5" for NG and 10" for LP.
15. Reinstall the logs per your installation instruction/use and care manual.



Monessen, a brand of Hearth & Home Technologies
 7571 215th Street West, Lakeville, MN 55044
www.monessenhearth.com