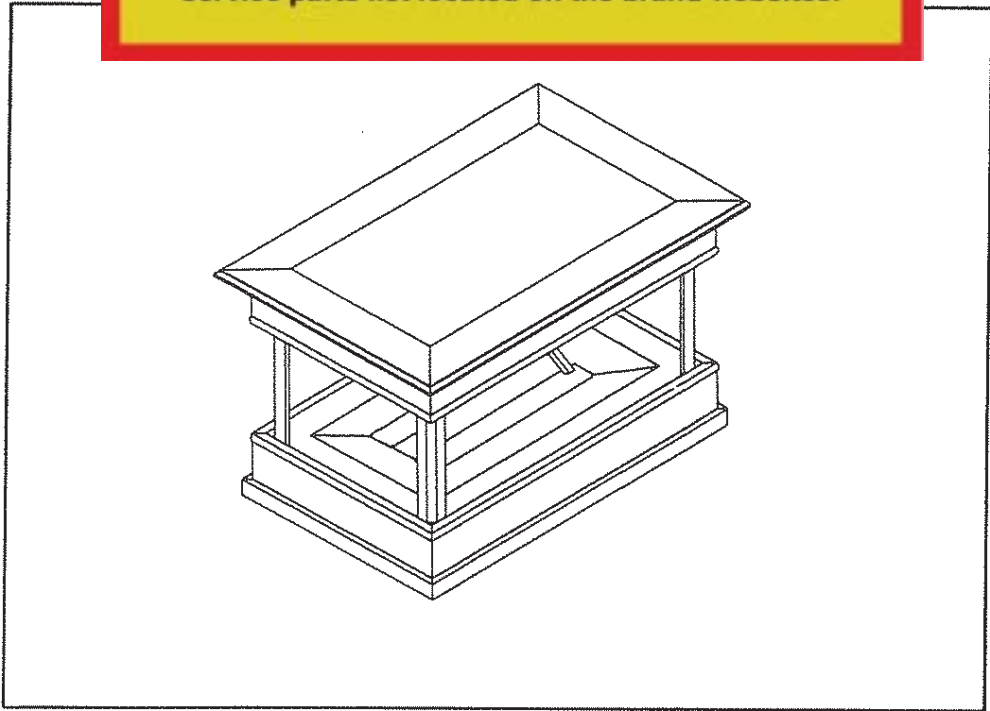




**This appliance has been retired.
Service parts pages within have been removed.
For replacement parts, please refer to the individual
service parts list located on the brand websites.**



PATENTS PENDING

MODEL CT-36 INSTALLATION AND OPERATION INSTRUCTIONS



**A.G.A. Design Certified
and
CGA Certified**



**THIS MANUAL MUST BE USED FOR INSTALLATION AND RETAINED BY HOMEOWNER FOR
OPERATION AND MAINTENANCE.**

**HEAT-N-GLO FIREPLACE PRODUCTS, INC.
6665 W. Hwy 13 Savage, MN 55378 (612)890-8367**



INSTALLATION AND OPERATION INSTRUCTIONS

PLEASE READ THIS MANUAL BEFORE INSTALLING AND USING THE FIREPLACE

MODEL CT-36 IS A.G.A. DESIGN CERTIFIED AND CGA CERTIFIED FOR NATURAL GAS OR PROPANE

Requires one of the following kits systems for installation:

PVK-80 HORIZONTAL POWER VENT TERMINATION KIT

FOR YOUR SAFETY

What to do if you smell gas:

- Extinguish any open flame.
- Do not try to light any appliance.
- Do not touch any electrical switch; do not use any phone your building.
- Immediately call your gas supplier from a neighbor's phone. Follow the gas supplier's instructions.
- If you cannot reach your gas supplier, call the fire department.

FOR YOUR SAFETY

Do not store or use gasoline or other flammable vapors and liquids in the vicinity of this or any other appliance.

WARNING: IMPROPER INSTALLATION, ADJUSTMENT, ALTERATION, SERVICE OR MAINTENANCE CAN CAUSE INJURY OR PROPERTY DAMAGE. REFER TO MANUAL. FOR ASSISTANCE OR ADDITIONAL INFORMATION CONSULT A QUALIFIED INSTALLER, SERVICE AGENCY OR THE GAS SUPPLIER.

IMPORTANT: Read all instructions carefully before starting installation. Failure to follow these installation instructions may result in a possible fire hazard and will void the warranty.

Save this Manual for future reference.

Copyright 1995, Heat-N-Glo Fireplace Products, Inc., 6665 W. Hwy 13, Savage, MN 55378
Printed in U.S.A.

TABLE OF CONTENTS

1.0	Introduction	4
2.0	Installation Precautions	4
3.0	Installation Instructions	7
3.1	Vent System Approvals	7
3.2	Vent System Installation Precautions	9
3.2.1	Installing the Vent System in a Chase	9
3.3	Installing Vent System Components	9
3.3.1	Installing Support Brackets	9
3.3.2	Installing Firestops	10
3.4	Horizontal Terminations	11
3.5	PVK-80 Vent Cap Wiring	13
3.6	Connecting the Gas Line	13
3.7	Electrical Wiring for Optional Kits	14
3.7.1	Installing Electrical Service to the Junction Box	14
3.8	Wall Switch Wiring	14
3.9	Finishing	14
3.10	Hearth Extension	14
4.0	Electrical Safety System	16
5.0	Operating Guidelines and Maintenance Instructions	16
5.1	Glass Door Removal	16
5.2	Cleaning Burner	16
5.3	Log Replacement	17
5.4	Glass Door Replacement	17
6.0	Safety Information	17
7.0	Lighting Instructions	18
LPG (Propane) Information	19	
8.0	High Altitude Installation	19
9.0	Trouble Shooting	20
10.0	Replacement Parts	21-23
Warranty Information	24	

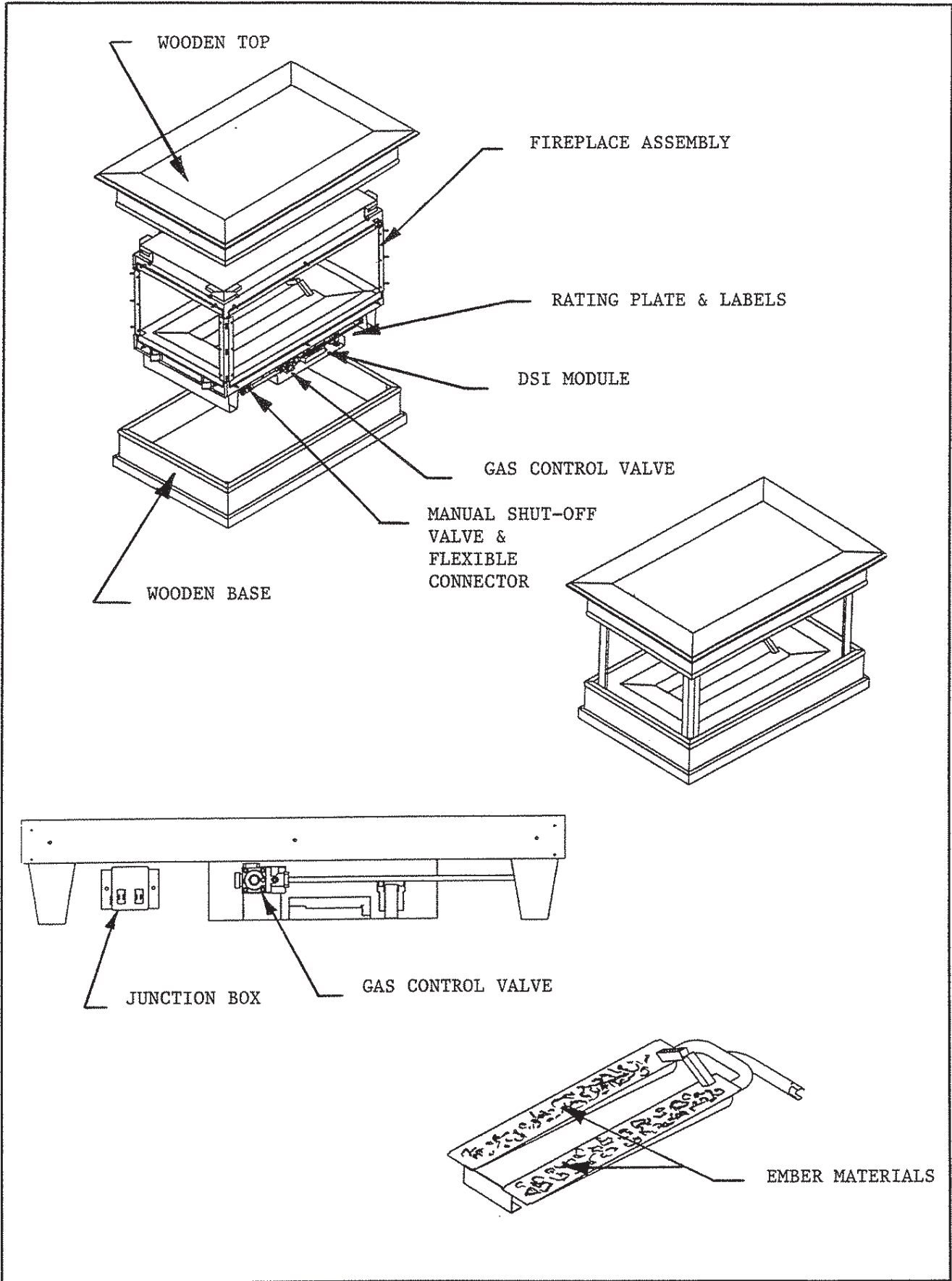


FIGURE 1

1.0 INTRODUCTION

Model CT-36 is a Direct Vent Decorative Gas Appliance. It is designed to operate with all combustion air being siphoned from the outside of the building and all exhaust gases expelled to the outside of the building.

WARNING: THIS UNIT IS NOT FOR USE WITH SOLID FUEL.

This model **MUST** use a PVK-80 power vent kit described in the venting section of this manual. **NO** other vent terminations may be used.

The control system for this model is a direct spark ignition (DSI) type. It consists of a gas control valve/regulator, a DSI module/transformer assembly, and a spark ignitor to the burner. An ON/OFF Wall Switch (WSK-21) and instructions for wiring it to the control system are also included with the unit. The controls are located in the lower compartment behind the lower wooden base of the fireplace. Access to this compartment is gained by lifting up the lower base. See Figure 1.

NOTE: YOU MUST CONNECT 110-120 VAC TO THE JUNCTION BOX OF THIS FIREPLACE.

Installation must conform to local codes. In the absence of local codes installation must conform with the current National Fuel Gas Code ANSI Z223.1 (in the United States) or with the current installation code CAN/CGA - B149 (in Canada).

The appliance when installed must be electrically grounded in accordance with local codes; in absence of local codes, with the current National Electric Code ANSI/NFPA NO. 70 (in the United States) or with the current CSA C22.1 Canadian Electric Code (in Canada).

NOTE: INSTALLATION AND REPAIR SHOULD BE DONE BY A QUALIFIED SERVICE PERSON. THE APPLIANCE SHOULD BE INSPECTED BEFORE USE AND AT LEAST ANNUALLY BY A PROFESSIONAL SERVICE PERSON. MORE FREQUENT CLEANING MAY BE REQUIRED DUE TO EXCESSIVE LINT FROM CARPETING, BEDDING MATERIAL, ETC. IT IS IMPERATIVE THAT THE UNIT'S CONTROL COMPARTMENT, BURNERS, AND CIRCULATING AIR PASSAGEWAYS BE KEPT CLEAN TO PROVIDE FOR ADEQUATE COMBUSTION AND VENTILATION AIR.

PROVIDE ADEQUATE CLEARANCES AROUND AIR OPENINGS INTO THE COMBUSTION CHAMBER AND ALLOW ACCESSIBILITY CLEARANCE FOR SERVICING AND PROPER OPERATION. NEVER OBSTRUCT THE FRONT OPENINGS OF THE FIREPLACE OR THE DIRECT VENT CAP ON THE EXTERIOR OF THE HOUSE.

NOTE: The fireplace has a top and bottom wooden base which complete its assembly.

Minimum clearances in inches to combustibles for the CT-36 assembly are: Large Glass Sides 18, Small Glass Ends 12, Floor 0 and Top 31. Minimum distance from the ceiling to the top front of the unit is 31 inches. The assembled unit may **NOT** be recessed within combustible construction.

Minimum inlet gas supply pressure for purpose of input adjustment is 5.0 inches water column natural gas and 11 inches water column propane. Maximum inlet gas supply pressure is 10.5 inches w.c. natural gas and 13.0 inches w.c. propane. For the purpose of input adjustment, inlet gas supply pressure should be 7.0 inches w.c. natural gas and 11.0 inches w.c. propane and manifold pressure should be set at 3.5 inches w.c. and 10.0 inches w.c. respectively.

A 1/8-inch N.P.T. plugged tapping is provided on the outlet side of the gas control for a test gauge connection to measure the manifold pressure. Provisions must be made to attach a test gauge to a 1/8-inch NPT plugged tapping immediately upstream of the gas supply connection to the appliance to measure inlet pressure.

The appliance and its individual shut off valve must be disconnected from the gas supply piping system during any pressure testing of the system at test pressures in excess of 1/2 psig (3.45 kPa).

This appliance must be isolated from the gas supply piping system by closing its individual manual shut-off valve during any pressure testing of the gas supply piping system at test pressures equal to or less than 1/2 psig (3.45 kPa).

2.0 INSTALLATION PRECAUTIONS

This direct vent (power vented) gas fireplace and its components are tested and safe when installed in accordance with this Installation Manual. Report to your dealer any parts damaged in shipment, specifically check glass condition. The vent system components are in separate packages. The logs are installed in the unit. Read all instructions before starting installation and follow these instructions carefully during installation to insure maximum benefit and safety. Failure to follow them will void your warranty and may present a fire hazard.

The Heat-N-Glo Fireplace Products, Inc. warranty will be voided by, and Heat-N-Glo Fireplace Products, Inc. disclaims any responsibility for, the following actions:

- Installation of any damaged fireplace or chimney component
- Modification of the fireplace or direct vent system
- Installation other than as instructed by Heat-N-Glo Fireplace Products, Inc.
- Improper positioning of the gas logs or the glass door
- Installation and/or use of any component part not manufactured or approved by Heat-N-Glo Fireplace Products, Inc., notwithstanding any independent testing laboratory or other party approval of such component part or accessory.

ANY SUCH ACTION MAY POSSIBLY CAUSE A FIRE HAZARD.

Consult your local building codes.

NOTE: The appliance has an airtight combustion chamber and takes 100% outside air for combustion. This appliance requires a PVK-80 power vent kit (see venting section of this manual for details.) Both Natural Gas and Propane units may be installed in a bedroom.

THIS FIREPLACE AND VENT ASSEMBLY MUST BE VENTED TO THE OUTDOORS AND MUST NEVER BE ATTACHED TO A CHIMNEY SERVING A SOLID FUEL BURNING APPLIANCE.

To install the burner ember material, remove the front (control side of the unit) glass door assembly. See Figure 1

Two separate bags of ember materials are shipped with this unit. The bag labeled Golden Ember (GE-93) is flame colorant material. The bag labeled Glowing Ember (050-721) is standard glowing ember material.

INITIAL SET-UP: Alternately place a single layer of dime size and shape pieces of Golden Ember (GE-93) and Glowing Ember (050-721) onto the top of the lower burner. See Figure 1.

Save the remaining ember materials for use during fireplace servicing.

FIREPLACE SERVICING: Frequency of fireplace servicing will depend upon use and type of installation.

Carefully brush away or vacuum up any loose materials on the lower burner. Alternately place dime size and shape pieces of Golden Ember (GE-93) flame colorant replacement material and glowing Ember (050-721) standard ember material onto flat pan burner.

Save remaining ember materials and repeat this procedure at the next fireplace servicing.

NOTE: It may be necessary to clean the glass door after replenishing the flame colorant material. Film deposits on the inside of the glass door should be cleaned off using a household glass cleaner. **DO NOT** handle or attempt to clean the glass when it is **HOT**.

See Figure 2 for proper log positioning.

Replace the glass door. THE UNIT WILL NOT OPERATE PROPERLY UNLESS THE GLASS DOORS ARE SECURED IN PLACE AND SEALED.

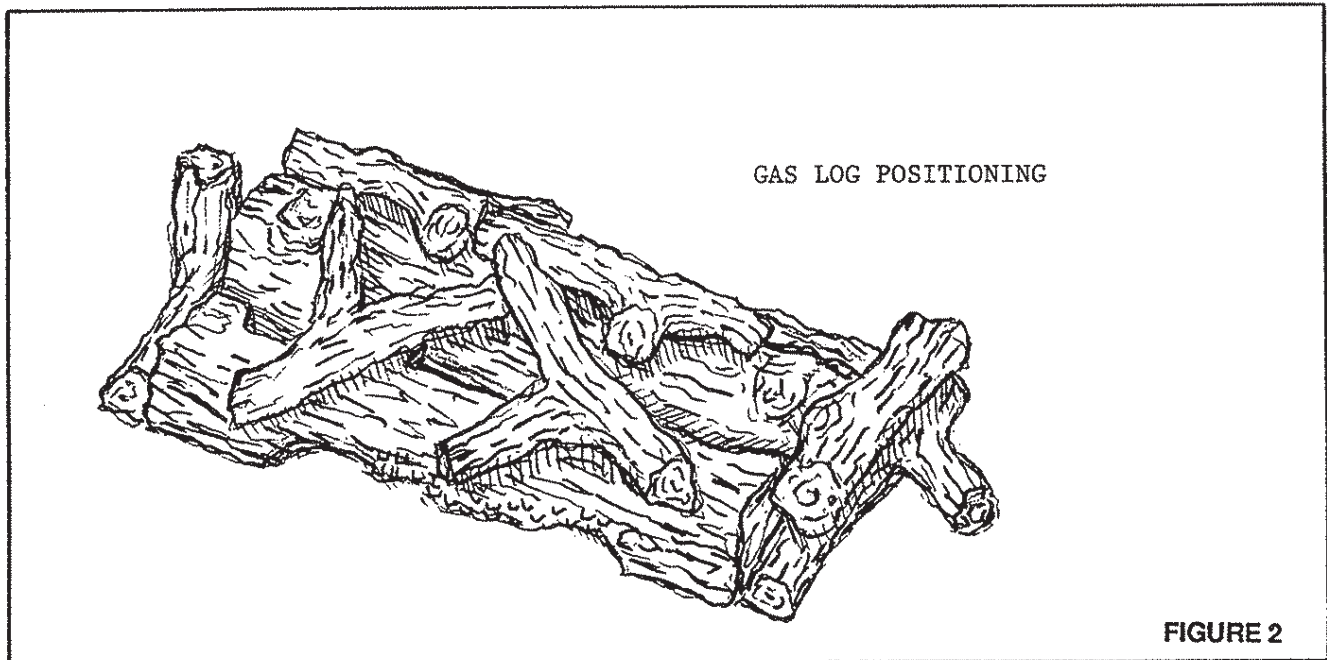


FIGURE 2

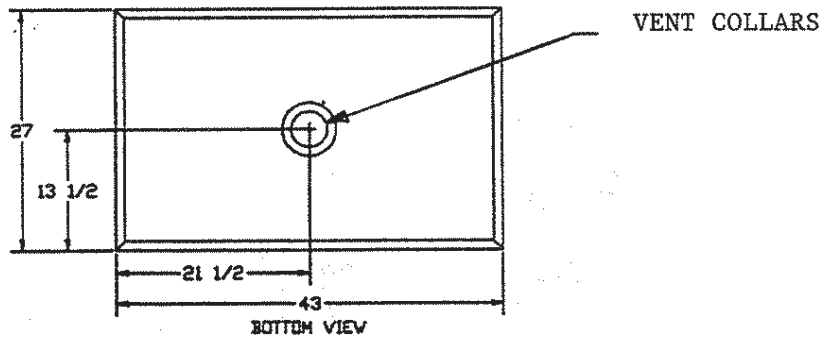
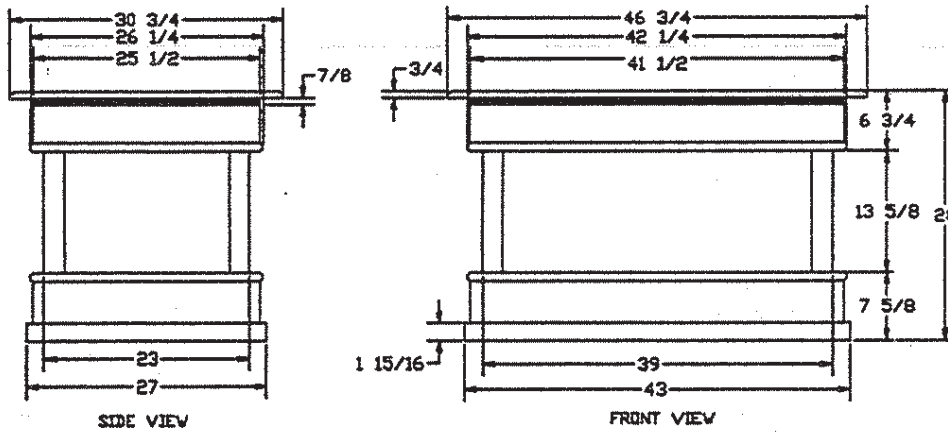
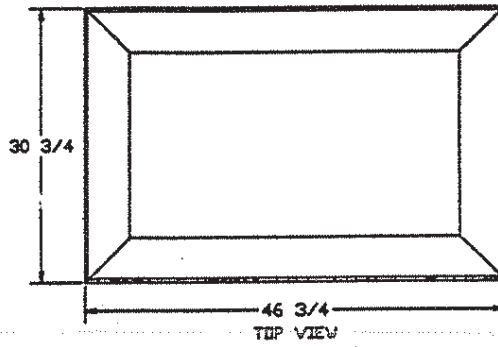


FIGURE 3

WARNING: DO NOT OPERATE APPLIANCE WITH THE GLASS DOORS REMOVED, CRACKED, OR BROKEN. REPLACEMENT OF THE GLASS DOORS SHOULD BE DONE BY A LICENSED OR QUALIFIED PERSON. DO NOT STRIKE OR SLAM GLASS DOORS.

WARNING: GLASS DOOR ASSEMBLIES SHALL ONLY BE REPLACED AS A COMPLETE UNIT AS SUPPLIED BY THE GAS FIREPLACE MANUFACTURER. NO SUBSTITUTE MATERIALS MAY BE USED.

WARNING: THE GLASS DOOR ASSEMBLIES MUST BE IN PLACE AND SEALED BEFORE THE UNIT CAN BE PLACED INTO SAFE OPERATION.

Prior to first firing, read Operation Instructions section of this manual.

Do not use this appliance if any part has been under water. Immediately call a qualified service technician to inspect the unit and to replace any part of the control system and any gas control which has been underwater.

DUE TO HIGH TEMPERATURE, THE APPLIANCE SHOULD BE LOCATED OUT OF TRAFFIC AREAS AND AWAY FROM FURNITURE AND DRAPERIES. CLOTHING OR FLAMMABLE MATERIAL SHOULD NOT BE PLACED ON OR NEAR THE APPLIANCE.

NOTE: IF EXTERIOR WALLS ARE FINISHED WITH VINYL SIDING, IT IS NECESSARY TO INSTALL THE VINYL PROTECTOR KIT (VPK-DV) TO THE TOP OF THE EXTERIOR FIRESTOP.

3.0 INSTALLATION INSTRUCTIONS

In planning the installation for the fireplace it is necessary to determine where the unit is to be installed, the type of vent system layout to be used and whether optional accessories (remote control) are desired. Gas supply piping and 110VAC electrical wiring should also be planned.

The fireplace can be mounted on the following surfaces:

1. A flat combustible surface other than carpeting.
2. A raised wooden platform.

If the fireplace is installed directly on carpeting, tile, or other combustible material other than wood flooring, the appliance shall be installed on a metal or wood panel extending the full width and depth of the unit. Refer to Figure 3 for fireplace reference dimensions.

3.1 VENT SYSTEM APPROVALS

This model is approved to use 5" / 8 5/8" D-Series, 4" / 6 5/8" SL D-Series, or 4" / 6" crimped end concentric Heat-N-Glo direct vent pipe components.

The unit is equipped with 5" / 6 5/8" SL D-Series starting collars and a 5" / 6 5/8" elbow. Standard vent systems for this unit use SL D-Series vent pipe and a 656-138A adaptor for the required PVK-80 vent cap. Options using 4" / 6" crimped pipe or 5" / 8 5/8" D-Series pipe are shown in Figure 4.

Tables 1 and 2 and Figure 4 show the vent termination kits and vent systems approved for use with this Model. Approved vent system components are labeled for identification. NO OTHER VENTING SYSTEMS OR COMPONENTS MAY BE USED. Detailed installation instructions are included with each vent termination kit and should be used in conjunction with this manual.

HORIZONTAL VENTING

Table 2 and Figure 4 show the venting specifications approved for use on this model.

WARNING: The PVK-80 power vent cap must be installed in a horizontal position - it cannot be terminated vertically.

MODEL	VENT TERMINATION KIT APPROVALS
CT-36	PVK-80

TABLE 1

VENT SYSTEM APPROVALS: 4"/6", 4"/6 5/8", AND 5"/8 5/8" Pipe

MAX. ELBOWS		MAX. TOTAL VENT RUN (FT.)		MAX. VERTICAL DROP (FT.)
U.S.A.	CANADA	U.S.A.	CANADA	
6	6	30 FT.	27 FT.	9 FT.

TABLE 2

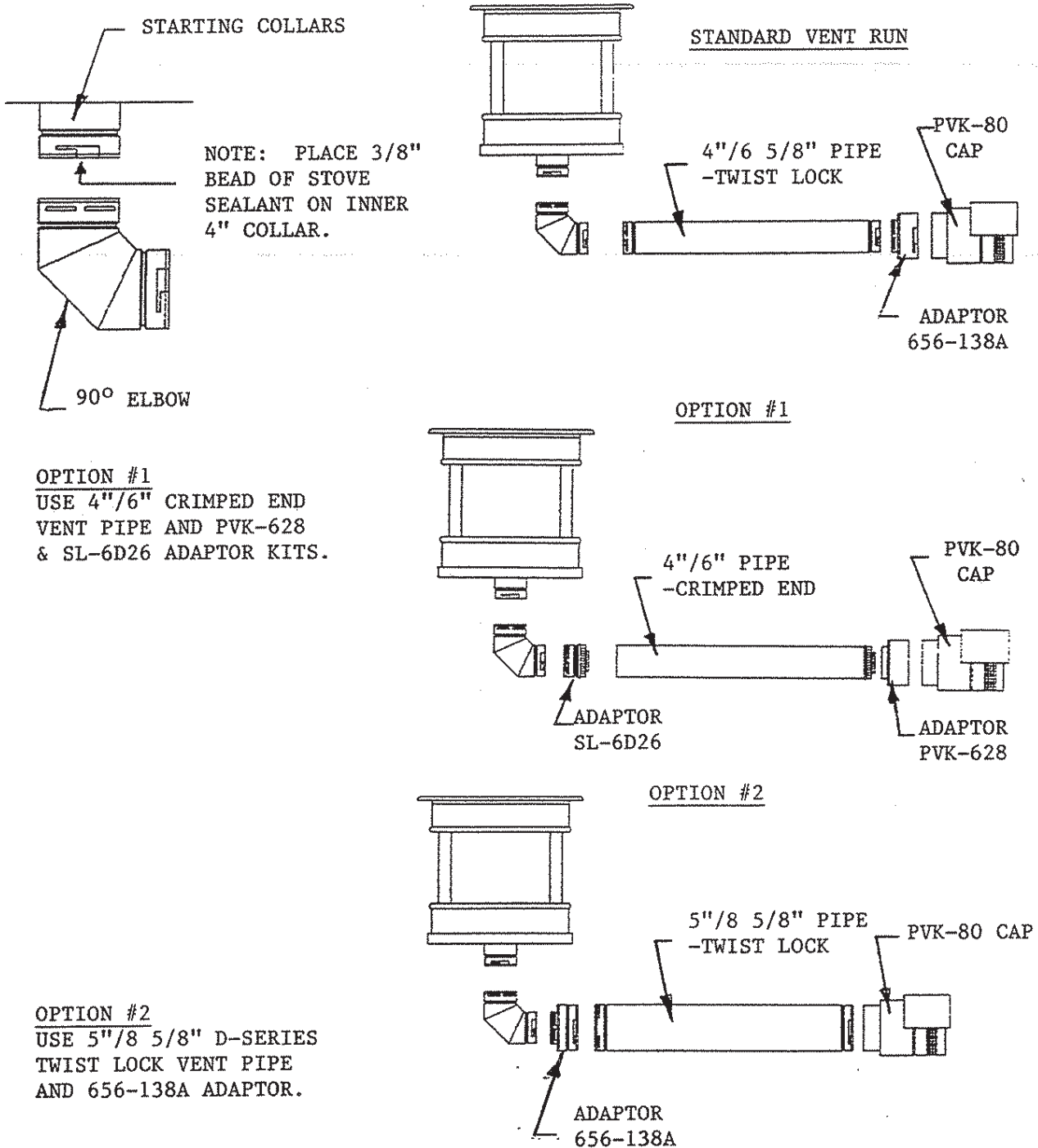


FIGURE 4

3.2 VENT SYSTEM INSTALLATION PRECAUTIONS

Before starting installation of vent kits, the installer should read the Gas Fireplace Instructions and PVK-80 Power Vent Kit Instructions to insure that the proper vent system has been selected for the installation.

Determine the exact position of the fireplace so the direct vent pipe is centered (if possible) between two building framing members. This will avoid any extra framing. Using a level, make sure the fireplace is properly positioned and squared.

Consult your local Building Codes before beginning the installation.

WARNING: THIS GAS FIREPLACE AND VENT ASSEMBLY MUST BE VENTED DIRECTLY TO THE OUTSIDE AND MUST NEVER BE ATTACHED TO A CHIMNEY SERVING A SEPARATE SOLID FUEL BURNING APPLIANCE. EACH GAS APPLIANCE MUST USE A SEPARATE VENT SYSTEM-COMMON VENT SYSTEMS ARE PROHIBITED.

CLEARANCES BETWEEN THE VENT PIPE AND COMBUSTIBLE MATERIALS MUST BE MAINTAINED AT 3-INCH TOP (2 1/2-INCHES AT WALL FIRESTOP), 1-INCH SIDES, AND 3/8-INCH BOTTOM.

3.2.1 INSTALLING THE VENT SYSTEM IN A CHASE

A chase is a vertical box-like structure built to enclose the gas appliance and/or its vent system. Vertical vents that run on the outside of a building may be, but are not required to be, installed inside a chase.

CAUTION: Treatment of firestop spacers and construction of the chase may vary with the type of building. These instructions are not substitutes for the requirements of local building codes. Therefore, your local building codes **MUST** be checked to determine the requirements for these steps.

NOTE: When installing this vent system in a chase, it is always good building practice to insulate the chase as you would the outside walls of your home. This is especially important for cold climate installations. Upon completion of building your chase framing, install the vent system by following the instructions in this manual. Remember to build the chase large enough so that minimum clearance of combustible materials (including insulation) to the vent system are maintained. **Be sure to maintain a 1 inch clearance (air space) between the vent pipe and all insulation materials for vertical vent runs.**

3.3 INSTALLING VENT SYSTEM COMPONENTS

Attach the first vent component to the starting collars of the fireplace. This first component must be a 4-inch/6 5/8" SL-D Series vent component. A 90° elbow is supplied with the fireplace.

WARNING: You **MUST** place a 3/8" (9.53 mm) **MINIMUM** bead of stove sealant around the end of the fireplace 4-inch (102 mm) starting collar **BEFORE** installing the first vent component. The sealant should be placed 1-inch (25.4 mm) from the end of the collar as shown in Figure 4.

WARNING: Failure to seal this joint, may cause the fireplace to not operate properly.

All D-Series and SL D-Series vent system components lock into place by sliding the concentric pipe section with four (4) equally spaced interior beads into the appliance collar or previously installed component end with four (4) equally spaced indented sections. When the internal beads of each starting outer pipe line up, rotate the pipe section clockwise approximately 1/4 turn. The vent pipe is now locked together. 4"/6" crimped end pipe slide together (crimp ends inside smooth ends) and are secured with screws at each joint.

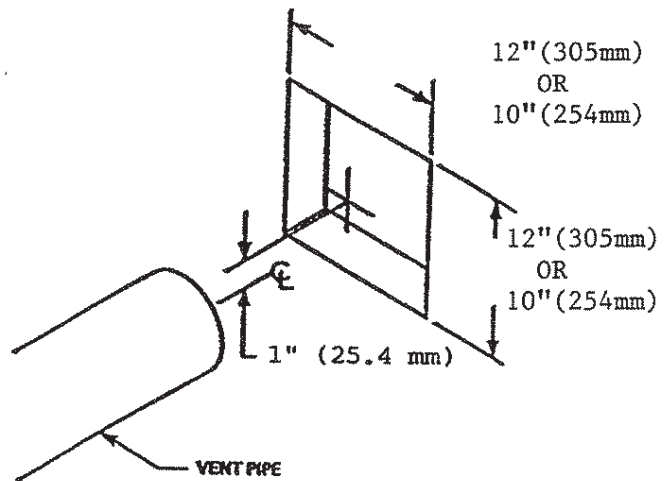
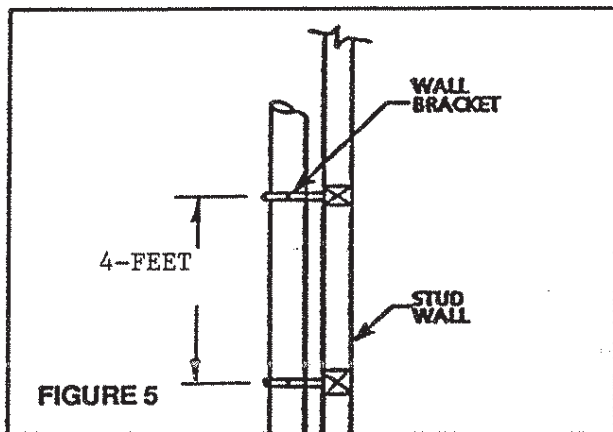
90 degree elbows may be installed and rotated to any point around the preceding component's vertical axis. If an elbow does not end up in a locked position with the preceding component, attach with a minimum of two (2) sheetmetal screws.

Continue adding components per the pre-planned vent system configuration. Be certain that each succeeding vent component is securely fitted and locked into the preceding component in the vent system.

3.3.1 INSTALLING SUPPORT BRACKETS

A pipe support **MUST BE** used for each 5 feet of horizontal run. The pipe supports should be placed around the outer pipe and nailed in place to framing members.

Vertical runs of this vent system must be supported every 4-feet and secured to structural framing members. See Figure 5.



3.3.2 INSTALLING FIRESTOPS

Firestops are required for safety whenever the vent system passes through an interior wall, an exterior wall, or a ceiling. These firestops act as a firebreak, heat shield, and as a means to ensure that minimum clearances are maintained to the vent system.

Horizontal runs in the vent system which pass through either interior or exterior walls, require the use of wall firestops on both sides of the wall through which the vent passes.

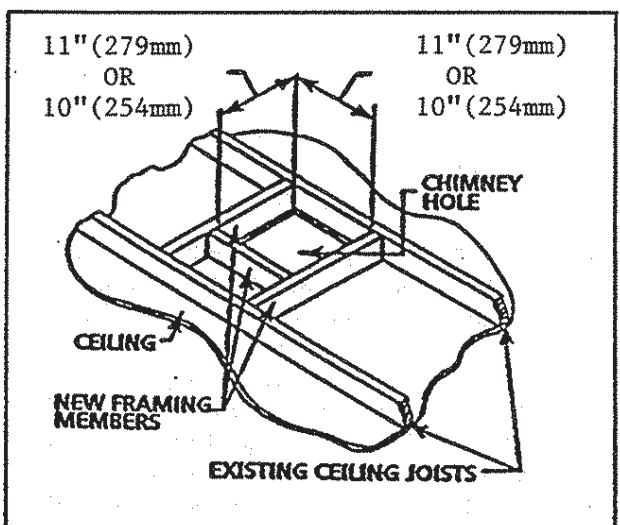
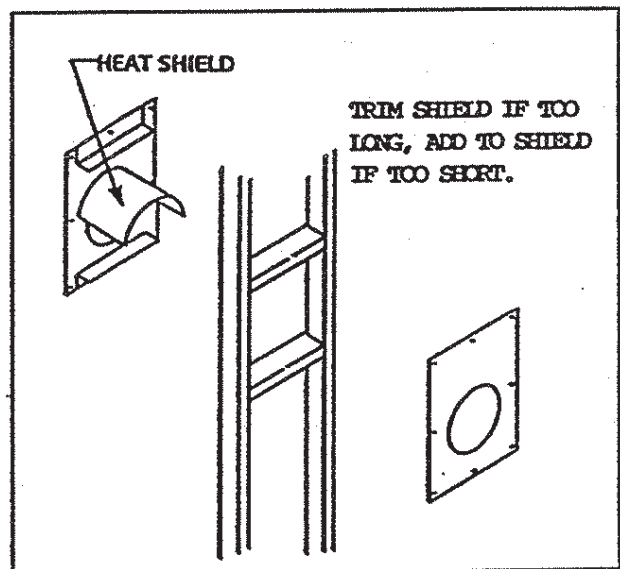
Cut a 12-inch X 12-inch (D-Series pipe) or 10 X10 (SL D-Series or 4"/6" crimped end pipe) hole through interior walls-the center of the hole is 1-inch above the center of the horizontal vent pipe. See Figure 6.

Position the firestops on both sides of the hole, previously cut. Secure with nails or screws. The heat shield of the firestops **MUST** be placed towards the top of the hole. (See Figure 7.) Continue the vent run through the firestops.

Vertical runs of this vent system which pass through floors or ceilings require the use of one (1) ceiling firestop at the hole in each floor or ceiling through which the vent passes.

Position a plumb bob directly over the center of the vertical vent component and mark the ceiling to establish the center point of the vent. Drill a hole or drive a nail through this center point and check the floor above for any obstructions such as wiring or plumbing runs. Reposition the fireplace and vent system, if necessary, to accommodate ceiling joists and/or obstructions.

Cut a 11-inch X 11-inch (D-Series pipe) or 10 X10 (SL D-Series or 4"/6" crimped end pipe) hole through the ceiling, using the center point previously marked. Frame the hole with framing lumber the same size as the ceiling joists. See Figure 8.



If the area above the ceiling is NOT an attic, position and secure the ceiling firestop on the ceiling side of the previously cut and framed hole. (See Figure 9.) If the area above the ceiling IS an attic, position and secure the firestop on top of the previously framed hole. (See Figure 10.)

NOTE: Remove the insulation from the framed area in the attic before installing the firestop and/or vent pipes.

WARNING: INSULATION MUST BE AT A 1-INCH MINIMUM CLEARANCE TO THE VENT PIPE AND MUST NEVER CONTACT THE PIPE FOR VERTICAL VENT RUNS.

Place the firestop on top of every floor through which the vent system passes.

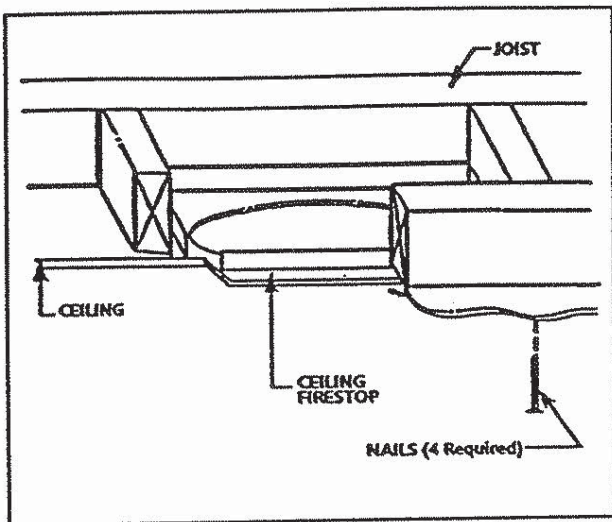


FIGURE 9

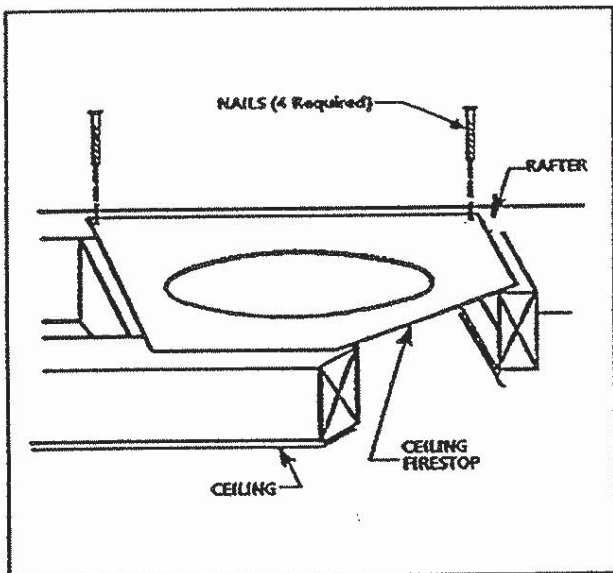


FIGURE 10

3.4 HORIZONTAL TERMINATIONS

A PVK-80 power vent cap must be used to terminate this model's vent system.

Attach and secure the PVK-80 power vent termination cap to the last section of the vent pipe run.

WARNING: The PVK-80 exhaust shutter MUST always remain in the closed position.

NOTE: The termination kit should pass through the wall firestops from the exterior of the building. Adjust the termination cap to its final exterior position on the building.

NOTE: The PVK-80 termination cap **MUST** be positioned as described in its installation instructions. (See Figure 11.)

WARNING: The bottom of the vent termination cap must be a **MINIMUM** of 12-inches above ground level (grade), the bottom of the cap must be a **MINIMUM** of 24-inches above combustible material such as a deck. The top of the cap must be a **MINIMUM** of 24-inches below combustible material, and the side of the cap must be a **MINIMUM** of 6-inches away from a parallel outside wall. See Figure 12 for Vent Termination Clearances.

NOTE: A 24-inch clearance above grass is recommended.

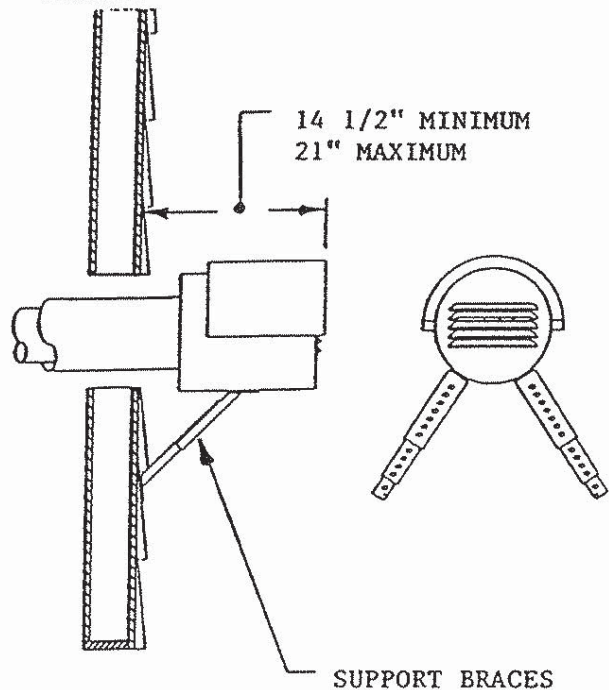
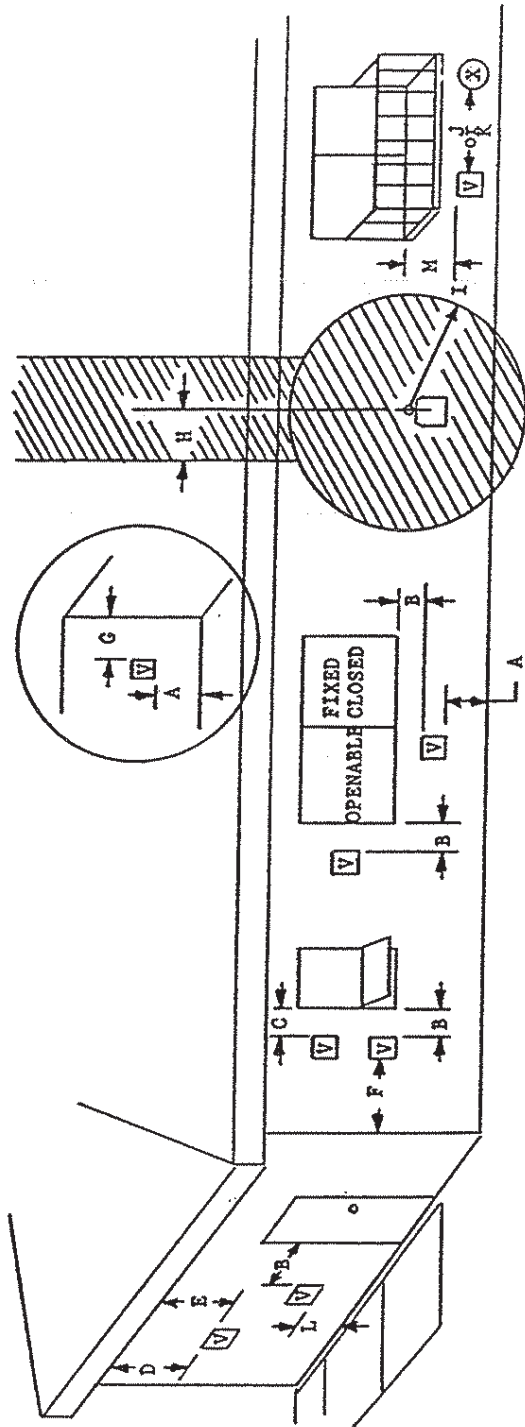


FIGURE 11

VENT TERMINATION MINIMUM CLEARANCES FOR MODEL CT-36



V = VENT TERMINAL
 X = AIR SUPPLY INLET
 = AREA WHERE TERMINAL IS NOT PERMITTED

- A = 12" clearances above grade
- = 24" clearance above veranda, porch, deck or balcony
- B = 12" clearances to window or door that may be opened
- C = 9" (U.S.A.) clearance to permanently closed window
- 12" (Canada)
- D = 24" vertical clearance to ventilated soffit located above the terminal within
- a horizontal distance of 2 feet (60 cm) from the centre-line of the terminal
- E = 18" clearance to unventilated soffit
- F = 9" clearance to outside corner
- G = 6" clearance to inside corner
- H = 3 ft. not to be installed above a gas meter/regulator assembly within 3 feet
- (90 cm) horizontally from the center-line of the regulator
- I = 3 ft. (U.S.A.) clearance to service regulator vent outlet
- 6 ft. (Canada)
- J = 9" (U.S.A.) side clearance to non-mechanical air supply inlet to building or the combustion
- 12" (Canada) air inlet to any other appliance
- K = 3 ft. (U.S.A.) clearance to a mechanical air supply inlet located within 10 feet
- 6 ft. (Canada)
- * L = 7 ft. clearance above paved side-walk or a paved driveway located on public property
- ** M = 24" clearance under veranda, porch, deck or balcony

* a vent shall not terminate directly above a side-walk or paved driveway which is located between two single family dwellings and serves both dwellings.

** only permitted if veranda, porch, deck or balcony is fully open on a minimum of 2 sides beneath the floor.

NOTE: local Codes or Regulations may require different clearances

FIGURE 12

3.5 PVK-80 VENT CAP WIRING

NOTE: Electrical wiring must be done in accordance with national, provincial, and/or local electric codes.

CAUTION: Before performing any maintenance, repair, or electrical wiring to the fireplace/power vent, make sure the electrical power is first disconnected to the fireplace/power vent.

The PVK-80 power vent includes a 6 1/2-foot 4-wire assembly wired into the vent cap fan motor. If this wire assembly will not reach the fireplace, the wires may need to be spliced to additional wire lengths in a junction box installed inside the building. Follow applicable electric codes.

Route the 4 wires from the power vent to the underside of the firebox, using strain relief to secure the wires in place. Connect the black, white, brown and red wires from the power vent assembly to the terminal block at the lower left of the gas valve. See Figure 16 for the unit's wiring diagram.

CAUTION: Carefully match the corresponding colored wires to the appropriate position on the terminal block. See Figure 13.

NOTE: To insert a wire into the terminal block depress the spring loaded pin on the top of the block and at the same time insert the wire into the side of the terminal block. Release the pin to secure the wire in place.

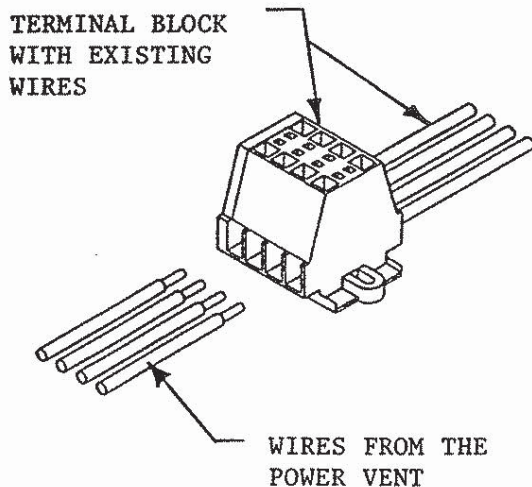


FIGURE 13

3.6 CONNECTING THE GAS LINE

The gas fireplace is designed to accept a 1/2-inch gas line for a listed gas appliance. Have the gas line installed by a qualified service person in accordance with all building codes. Consult local building codes to properly size the gas supply line leading to the 1/2-inch hook-up at the unit.

A listed 1/2-inch manual shut-off valve and a listed flexible gas connector are connected to the 3/8-inch inlet of the control valve. A 1/8 inch N.P.T. plugged tapping, accessible for test gauge connection, should be provided for in the gas supply line leading to the unit's shut-off valve.

Locate the gas supply line below the fireplace (Figure 14). Connect it to the gas shut-off valve. Support the control when attaching the pipe. After the gas pipe installation is complete, check carefully all gas connections for leaks with a soap solution. **DO NOT USE AN OPEN FLAME.** Use insulation to repack the space around the gas pipe.

NOTE: THE GAS PIPE SHOULD NOT COME IN CONTACT WITH ANY WOOD STRUCTURES UNTIL IT HAS REACHED A POINT AT LEAST 1 INCH AWAY FROM THE FIREPLACE.

NOTE: THE GAS SUPPLY LINE SHOULD BE PURGED OF ANY TRAPPED AIR PRIOR TO THE FIRST FIRING OF THE UNIT.

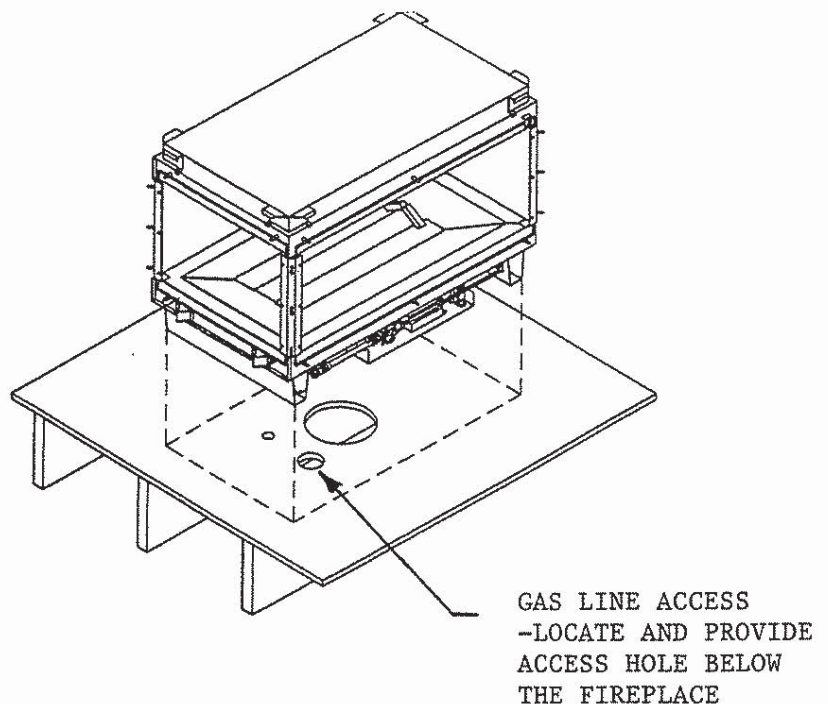


FIGURE 14

3.7 ELECTRICAL WIRING FOR OPTIONAL KITS

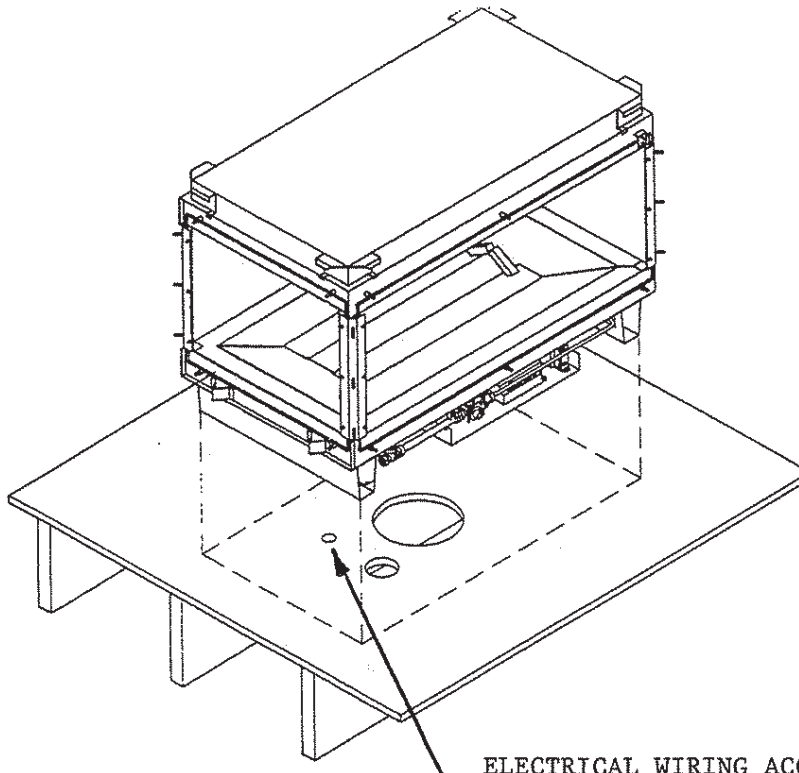
This model has a factory installed Electrical Junction Box which is used for supplying power to the gas controls, power vent cap, and for wiring in optional kits. 110 VAC service must be wired to this junction box before enclosing the fireplace. The access hole for connecting the 110 VAC service wires should be located below the unit. See Figure 15.

An optional hand held remote control kit (RCH-09A) is available. The remote receiver is plugged into the fireplace junction box.

3.7.1 INSTALLING ELECTRICAL SERVICE TO THE JUNCTION BOX

WARNING:TURN ELECTRICAL POWER OFF AT THE CIRCUIT BREAKER BEFORE BEGINNING INSTALLATION.

1. Feed the electrical service wires through a hole in the floor beneath the fireplace. Secure the wires.
2. Using the wire nuts provided, connect the service wires to the Junction Box. The black wire to the black service wire, the white wire to the white service wire, and the service ground wire to the ground stud of the Junction Box.



ELECTRICAL WIRING ACCESS
- LOCATE AND PROVIDE ACCESS HOLE BELOW THE FIREPLACE.

FIGURE 15

3.8 WALL SWITCH WIRING

A Wall Switch Kit (WSK-21) for turning the fireplace ON/OFF is included with the unit. This kit does NOT require a separate source of 110 VAC. Connect 18 A.W.G. minimum wires from the wall switch to the pigtail wires which are labeled "FOR REMOTE OR WALL SWITCH ONLY". See Figure 16 - Unit Wiring Diagram.

3.9 FINISHING

Carefully slide the wooden base over the fireplace and set it on the floor. Attach the four magnetic corner trim pieces. Set the wooden top on the top of the fireplace. No attachment is necessary for either the top or the base.

DO NOT put any finishing material on the Vent Cap.

3.10 HEARTH EXTENSION

While a hearth extension may be desirable for aesthetic reasons, it is not required for decorative gas appliances per ANSI or CAN/CGA testing standards.

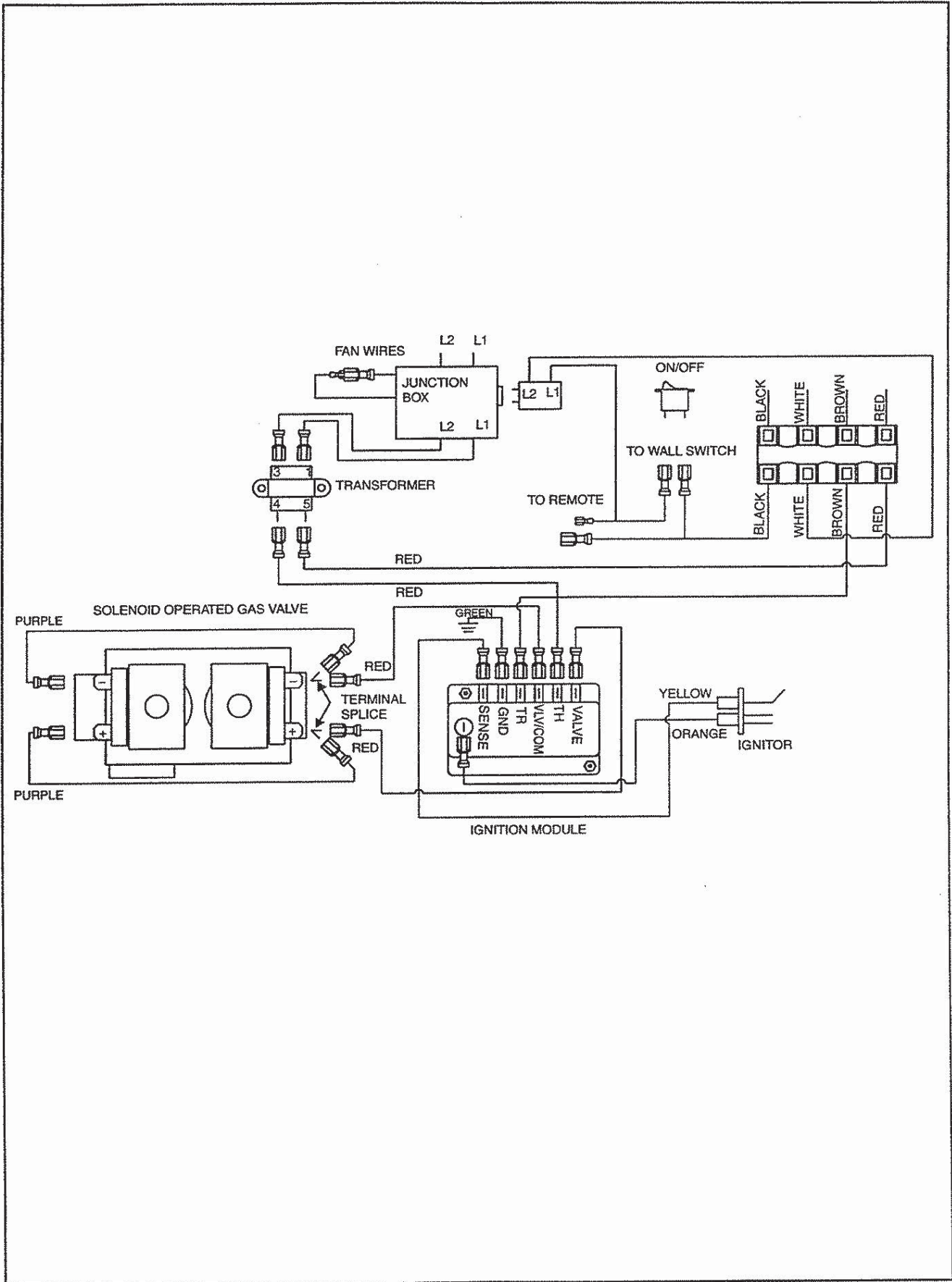


FIGURE 16

4.0 GAS CONTROL SAFETY SYSTEM

This model's burner controls has a safety delay of approximately 30 seconds after the unit ON/OFF switch is turned "ON". During this delay, the power vent cap will turn on and operate before the unit's burner lights.

There is also a flame sensor which will shut down the gas control valve if no burner flame is sensed. If the gas controls are shut down because of this, the unit ON/OFF switch must be turned "OFF" and back "ON".

5.0 OPERATING GUIDELINES MAINTENANCE INSTRUCTIONS

Upon completing the gas line connection, a small amount of air will be in the lines. When first lighting the unit, it will take a few minutes for the lines to purge themselves of this air. Once the purging is complete, the burner will light and operate as indicated in the Instruction Manual.

Subsequent lightings of the appliance will not require such purging.

When lit for the first time, the appliance will emit a slight odor for an hour or two. This is due to paint and lubricants used in the manufacturing process. Additionally, for the first few minutes after each lighting, vapor may condense and fog the glass and the flames may be blue. After a few minutes this moisture will disappear and within 15-30 minutes the flames should become yellow.

The fireplace may produce a noise, caused from metal expansion and contraction as it heats up and cools down. This noise is similar to one that a furnace or heat duct may produce and does not affect the operation or longevity of the fireplace.

Keep the control compartment, logs, and burner area surrounding the logs clean by vacuuming or brushing at least twice a year.

CAUTION: THE LOGS CAN GET VERY HOT - HANDLE ONLY WHEN COOL.

Always turn off gas to the fireplace before cleaning. For relighting, refer to lighting instructions located behind the lower fireplace base.

The appliance and venting system should be inspected before initial use and at least annually by a qualified field service person.

Always keep the appliance area clear and free from combustible materials, gasoline, and other flammable vapors and liquids.

Never obstruct the flow of combustion and ventilation air. Keep all sides of the appliance clear of all obstacles and materials.

WARNING: CHILDREN AND ADULTS SHOULD BE ALERTED TO THE HAZARDS OF HIGH SURFACE TEMPERATURE AND SHOULD STAY AWAY TO AVOID BURNS OR CLOTHING IGNITION. YOUNG CHILDREN SHOULD BE SUPERVISED WHEN THEY ARE IN THE SAME ROOM AS THE APPLIANCE.

IMPORTANT: DISCONNECT 110VAC POWER SOURCE AND TURN OFF GAS BEFORE SERVICING APPLIANCE. IT IS RECOMMENDED THAT A COMPETENT SERVICE TECHNICIAN PERFORM THESE CHECK-UPS AT THE BEGINNING OF EACH HEATING SEASON.

WARNING: DO NOT USE ABRASIVE CLEANERS ON THE GLASS DOOR ASSEMBLIES. DO NOT ATTEMPT TO CLEAN THE GLASS DOORS WHEN THEY ARE HOT.

Inspect the external vent cap on a regular basis to make sure that no debris is interfering with the air flow.

5.1 GLASS DOOR REMOVAL

1. Remove the wood top and base from the fireplace.
2. To remove the front or rear large glass door, you must remove the corner trim panels by pulling them away from the unit.
3. Noting carefully how the brackets fit on the glass, remove wing nuts and brackets from the glass door.
4. The glass door is now ready for removal.

5.2 CLEANING THE BURNER

In order to properly clean the burner assembly, turn off the gas to the unit and remove the logs exposing the burner assembly.

Clean all foreign materials from top of burner. Check to make sure that burner orifice is clean. When appliance is put back in service, check burner flame patterns with Figure 17.

To obtain proper operation, it is imperative that the main burner flame characteristics are steady, not lifting or floating.

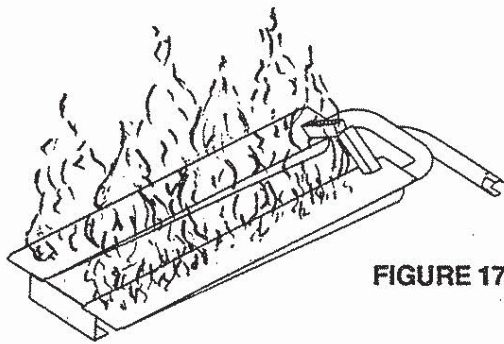


FIGURE 17

5.3 LOG REPLACEMENT

1. Remove the wood top, wood base, corner trim, and glass door assemblies (See Section 5.1).
2. The Log(s) can now be removed as required. Replace the log(s) as previously shown in Figure 2 - Gas Log Positioning. Replace glass doors and corner trim, top and bottom wooden pieces.

6.0 SAFETY INFORMATION

This unit requires 110 VAC service in order to operate. Connection to housewiring should **ONLY** be done by a qualified electrician.

5.4 GLASS DOOR REPLACEMENT

1. Before replacing the glass doors make sure the logs are properly positioned.
2. Place the bottom edges of the large glass doors on the rubber spacers of the bottom mounting studs on the fireplace. Center the glass.

Center the small end glass door and place the bottom edge on the bottom mounting studs.

3. With glass doors in place push glass against unit and at the same time put brackets on upper portion of doors and tighten the wing nuts provided.
4. Attach the brackets at the sides and bottom of the glass and hand tighten.

NOTE: WING NUTS THAT SECURE THE GLASS ONLY NEED TO BE HAND TIGHTENED TO GIVE A SNUG FIT FOR PROPER GASKET SEAL. OVERTIGHTENING MAY RESULT IN DAMAGED GLASS.

5. Replace the corner trim, wood base, and wood top.

WARNING: THE GLASS DOOR ASSEMBLIES MUST BE IN PLACE AND SEALED BEFORE THE UNIT CAN BE PLACED INTO SAFE OPERATION.

FOR YOUR SAFETY READ BEFORE OPERATING DSI CONTROLS

WARNING: IF YOU DO NOT FOLLOW THESE INSTRUCTIONS EXACTLY, A FIRE OR EXPLOSION MAY RESULT CAUSING PROPERTY DAMAGE, PERSONAL INJURY, OR LOSS OF LIFE.

- A. This appliance does not have a pilot. It is equipped with an ignition device which automatically lights the burner. Do not try to light the burner by hand.
- B. BEFORE LIGHTING smell all around the appliance area for gas. Be sure to smell next to the floor because some gas is heavier than air and will settle on the floor.

WHAT TO DO IF YOU SMELL GAS

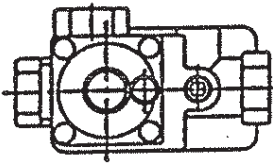
- Do not try to light any appliance.
- Do not touch any electric switch; do not use any phone in your building.
- Immediately call your gas supplier from a neighbor's phone. Follow the gas supplier's instructions.
- If you cannot reach your gas supplier, call the fire department.

- C. Do not use this appliance if any part has been under water. Immediately call a qualified service technician to inspect the appliance and to replace any part of the gas control system which has been under water.

7.0 LIGHTING INSTRUCTIONS

LIGHTING INSTRUCTIONS DSI CONTROLS

1. STOP! Read the safety information in the "For Your Safety Read Before Operating DSI Controls" section of this instruction.
2. Turn off all electric power to the appliance.
3. This appliance is equipped with an ignition device which automatically lights the burner. Do not try to light the burner by hand.



GAS VALVE

4. Wait five (5) minutes to clear out any gas. Then smell for gas, including near the floor. If you then smell gas, STOP! Follow "B" in the safety information located on the previous page. If you don't smell gas, go to next step.
5. Turn on all electric power to the appliance.
6. Turn ON/OFF switch to "ON".
7. If the appliance will not operate, follow the instructions "to Turn Off Gas to Appliance" and call service technician or gas supplier.

TO TURN OFF GAS TO APPLIANCE

1. Turn ON/Off switch to "OFF".
2. Turn off all electric power to the appliance if service is to be performed.

NOTE: TO PREVENT OVERHEATING THE UNIT, THE TIPS OF THE FLAMES SHOULD NEVER HIT THE TOP OF THE FIREBOX. CONTACT YOUR DEALER OR A QUALIFIED SERVICE PERSON IF ADJUSTMENTS TO THE UNIT MUST BE MADE.

LPG (PROPANE) WARNING

THE FOLLOWING WARNING APPLIES TO INSTALLATIONS USING L.P. (PROPANE) GAS:

WARNING: To avoid possible injury, fire and explosion, please read and follow these precautions and all instructions on this appliance before lighting the pilot. This appliance uses L.P. (Propane) gas **which is heavier than air and will remain at floor level if there is a leak. Before lighting, smell at floor level and/or use other means** (such as using a soap solution on all piping and connections, using a gas detector, etc.) to check for gas leaks. **NOTE: L.P. (Propane) gas can become odorless and CANNOT always be detected by smell.** If you smell gas, detect a gas leak, or suspect that a gas leak exists, follow these rules:

1. Get all people out of building.
2. DO NOT light matches. DO NOT turn electric lights or switches on or off in area. DO NOT use an electric fan to remove gas from area. DO NOT use a telephone inside the building.
3. Shut off gas at L.P. tank outside of building.
4. Telephone gas company and fire department. Ask instructions.

Before hanging up, give your name, address, and phone number. DO NOT go back into building.

If your L.P. tank runs out of fuel, turn off gas at the appliance. After L.P. tank is refilled, appliance must be relit according to manufacturer's instructions. If the gas control has been exposed to WATER in any way, DO NOT try to use it. It must be replaced. DO NOT attempt repair on gas control or appliance.

Tampering is DANGEROUS and voids all warranties. Any component that is found to be faulty, must be replaced with an approved component.

8.0 HIGH ALTITUDE INSTALLATION

A.G.A. Design Certified units are tested and approved for elevations from 0-2000 feet. CGA approved units are certified for elevations from 0-4500 feet.

When installing this unit at an elevation above 2000 feet, (in United States) it may be necessary to decrease the input rating by changing the existing burner orifice to a smaller size. Input should be reduced 4 percent for each 1000 feet above sea level. Check with your local gas company for assistance in determining proper orifice size.

When installing this unit at an elevation between 2000-4500 feet (in Canada) the input rating must be reduced by 10 percent.

When installing this at an elevation above 4500 (in Canada), check with local authorities.

Consult your local gas company for assistance in determining the proper orifice for your location.

9.0 TROUBLE SHOOTING - MODEL CT-36

With proper installation and maintenance, your new Gas Fireplace should provide years of trouble-free service. If you do experience a problem, refer to the Trouble Shooting Guide below. This guide will assist a qualified service person in the diagnosis of problems and the corrective action to be taken.

SYMPTOM	POSSIBLE CAUSE	CORRECTIVE ACTION
I. Burner does not light.	A. Unit junction box is not electrically grounded or properly connected.	1. Be certain 110 VAC is connected. 2. Be certain 110 VAC supply is properly grounded in junction box.
	B. No fuel supply.	1. Check to be sure fuel supply is properly connected.
II. Main burner goes out while being in operation.	A. No fuel supply.	1. Check to be sure incoming fuel supply is properly connected.
	B. Inner pipe leaking exhaust gases back into system.	1. Check for leaks.
	C. Glass too loose and air tight gasket leaks in corners after usage.	1. Tighten corner.
	D. Improper vent cap installation.	1. Check for proper installation and freedom from debris or blockage.
III. Glass soots.	A. Improper venturi setting.	1. Adjust the air shutter at the base of the burner.
IV. Flame burns blue and lifts off burner.	A. Insufficient oxygen being supplied.	1. Check to make sure vent cap is installed properly and free of debris. Make sure the inner exhaust pipe has no leaks in it. 2. Be sure glass is tightened properly on unit, particularly on the top corners.

LIMITED 10 YEAR WARRANTY HEAT-N-GLO GAS FIREPLACE PRODUCTS

In order to presumptively establish the dates to which your HEAT-N-GLO Limited 10 Year Warranty runs, you must mail the completed warranty card to HEAT-N-GLO FIREPLACE PRODUCTS, INC., 6665 West Highway 13, Savage, MN 55378, within 60 days of the date of fireplace installation. If you fail to do so, you may be required to prove the date of installation before warranty work can be performed.

The warranty exclusions and limitations of liability are effective upon installation of the fireplace.

Subject to the conditions set forth herein, HEAT-N-GLO FIREPLACE PRODUCTS, INC. ("HEAT-N-GLO") extends the following warranty with respect to HEAT-N-GLO Gas Fireplace Products.

If HEAT-N-GLO is reasonably satisfied that any part or portion of the fireplace covered by this Limited Warranty is defective in material or workmanship under normal use and service as described in the Operating Instructions, HEAT-N-GLO will take the following actions:

1. If the defect is reported during the first year from the date of installation (stainless steel burners and fiber logs are covered for 3 years), HEAT-N-GLO will replace or repair the defective components at its sole expense. The decision whether to replace a component shall be made at HEAT-N-GLO's sole discretion. This Limited Warranty does not cover components broken during shipping, misuse or careless handling. HEAT-N-GLO shall be not responsible for any indirect, incidental, or consequential damages or for any costs other than those incurred by HEAT-N-GLO to repair or replace the defective component. If components (including venting) other than factory approved components are used, all warranty and liability on the fireplace is voided. **Defects reported after the first year will not be covered by warranty unless they fall within the purview of paragraph 2 or 3 below.**
2. If the following defects are reported during the second year after the date of installation, HEAT-N-GLO will supply replacement parts at the current wholesale price: defective electrical or manual components, optional components or accessories, and glass panels (not including glass panels broken during misuse or careless handling). HEAT-N-GLO shall not be responsible for any labor, transportation or other costs. Furthermore, it shall not be liable for any indirect, incidental or consequential damages.
3. HEAT-N-GLO will replace or repair a defective firebox or heat exchanger, at any time during the 10 years from the date of installation. The decision whether to replace the defective component shall be made at HEAT-N-GLO's sole discretion. HEAT-N-GLO shall not be responsible for any indirect, incidental or consequential damages or for any costs other than those incurred by HEAT-N-GLO to repair or replace the defective component.

This Limited Warranty is the exclusive remedy available to you. If HEAT-N-GLO cannot effectively resolve a warranty problem in an expedient and cost-effective manner, it can discharge its entire warranty liability by refunding the price of the product to you.

Products made by other manufacturers, whether sold with the fireplace or added thereafter, are NOT covered by this Limited Warranty. The use of other unauthorized components will make this warranty null and void. This Limited Warranty will also be void if the appliance is not installed by a qualified installer in accordance with the Installation Instructions. Furthermore, the Limited Warranty will be void if the fireplace is not operated, at all times, according to the Operating Instructions furnished with the fireplace. Any service work must be performed by authorized service representatives.

EXCEPT TO THE EXTENT PROVIDED BY LAW, NO OTHER EXPRESS OR IMPLIED WARRANTIES, INCLUDING WARRANTIES OF MERCHANTABILITY OR FITNESS FOR A PARTICULAR PURPOSE, SHALL APPLY TO THE FIREPLACE PRODUCT. In States that do not allow limitations on how long an implied warranty lasts, or do not allow exclusion of indirect damages, those limitations or exclusions may not apply to you. You may also have additional rights not covered in this Limited Warranty.

HEAT-N-GLO reserves the right to make changes at any time, without notice, in design, material, specifications and prices. It also reserves the right to discontinue styles and products.