



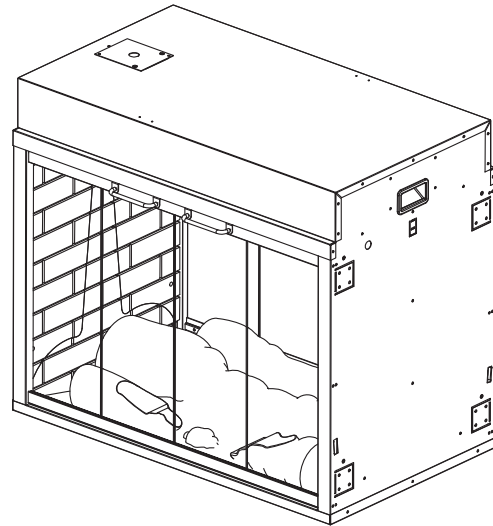
This appliance has been retired.
Service parts pages within have been removed.
For replacement parts, please refer to the individual
service parts list located on the brand websites.

Patent Pending

Model: SFE-ST

BUILDER BOX

INSTALLER/CONSUMER SAFETY INFORMATION
PLEASE READ THIS MANUAL BEFORE INSTALLING AND USING APPLIANCE.
WARNING! IF THE INFORMATION IN THIS MANUAL IS NOT FOLLOWED EXACTLY, AN ELECTRICAL SHOCK OR FIRE MAY RESULT, CAUSING PROPERTY DAMAGE, PERSONAL INJURY OR LOSS OF LIFE.
<p style="text-align: center;"><u>FOR YOUR SAFETY</u></p> <p>SERVICE MUST BE PERFORMED BY A QUALIFIED SERVICE AGENCY.</p> <p>DO NOT STORE OR USE GASOLINE OR OTHER FLAMMABLE VAPORS AND LIQUIDS IN THE VICINITY OF THIS OR ANY OTHER APPLIANCE.</p> <div style="display: flex; justify-content: space-around; align-items: center;"> <div style="text-align: center;">  </div> <div style="text-align: center;">  </div> </div>



TUV Listed as SFE-ST

Homeowner's Installation & Operating Manual

Note: The device complies with Part 15 of the FCC Rules. Operation is subject to the following two conditions:

1. This device may not cause harmful interference, and
2. This device must accept any interference received, including interference that may cause undesired operation.

ANSI / UL1598-2004

INSTALLER: DO NOT DISCARD THIS MANUAL -- LEAVE FOR HOME OWNER

Congratulations!

Congratulations on selecting a Simplifyre electric fireplace. The unit you have selected is designed to provide the utmost in safety, reliability and efficiency.

As the owner of a new fireplace, you'll want to read and carefully follow all of the instructions contained in this owner's manual. Pay special attention to all cautions and warnings.

This owner's manual should be retained for future reference. We suggest you keep it with your other important documents and product manuals.

Your new Simplifyre electric fireplace will give you years of durable use and trouble-free enjoyment.

Welcome to the Hearth & Home Technologies family of fireplace products!

TABLE OF CONTENTS

Please read the installation & operation instructions before using this appliance.

1 Important Instructions	3
A. Unpacking	3
B. Locating Your Electric Appliance	3
C. Clearance to Combustibles	3
D. Framing	4
E. Hardwire Electrical Connections	4
F. Electrical Specifications	4
G. Wall Switch Connections	4
H. Finishing and Trim	5
2 Operating Instructions	6
A. Remote Control	6
B. Remote Control Initialization	6
C. Control Usage	6
3 Service Instructions	7
A. Replacing the Light Bulb	7
B. Screen Cleaning	7
C. Maintenance of Motors	7
4 Service Parts	7
5 Warranty	8

1 Important Instructions

WARNING! Risk of Fire!

DO NOT:

- install or operate damaged appliance
- modify appliance
- operate the appliance without fully assembling all components

The following actions are strictly prohibited:

- Installation other than as instructed by *Hearth & Home Technologies Inc.*
- Installation and/or use of any component part not approved by *Hearth & Home Technologies Inc.*

Hearth & Home Technologies Inc. disclaims any responsibility for, and the warranty and agency listing will be voided by the above actions.

WARNING! Improper installation, adjustment, alteration, service or maintenance can cause injury or property damage. Refer to the owner's information manual provided with this appliance. For assistance or additional information consult a qualified installer, service agency or your dealer.

NOTICE! This appliance is not intended for use as a primary heat source and should not be factored as such in residential heating calculations.

WARNING! Risk of Electric Shock! This product should never be installed near water.

WARNING! DO NOT use this appliance if any part has been under water. Immediately call a qualified service technician to inspect and to replace any part of the electrical system if necessary

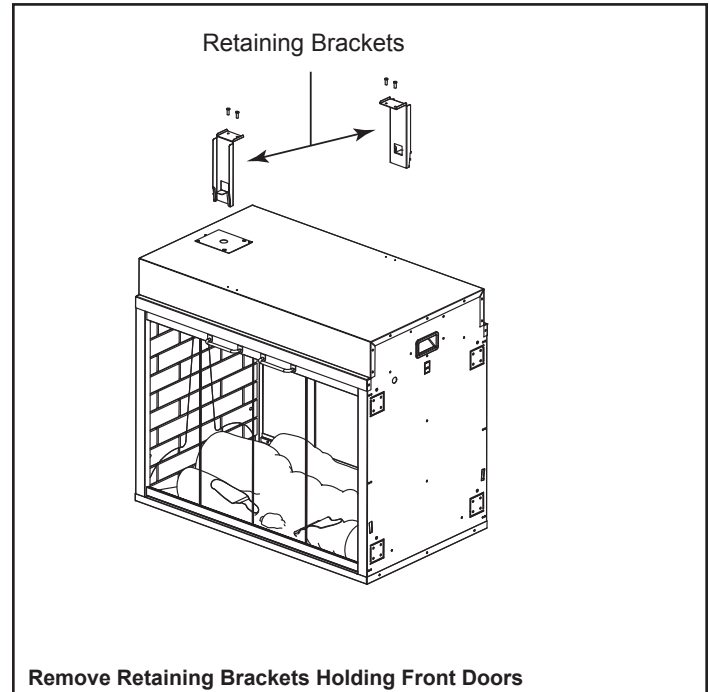
When using electrical appliances, basic precautions should always be followed to reduce the risk of fire, electric shock and injury to persons, including the following:

- This appliance is intended for use in bathrooms, laundry areas and similar indoor locations. Never locate appliance where it may fall into a bathtub or other water container.
- Use this appliance only as described in this manual. Any other use not recommended by the manufacturer may cause fire, electric shock, or injury to persons.
- Always use ground fault protection where required by electrical code.
- Always disconnect power before performing any cleaning, maintenance.
- To prevent a possible fire, do not burn wood or other materials in this appliance.
- To prevent electric shock or fire, always use a qualified electrician should new circuits or outlets be required.
- **SAVE THESE INSTRUCTIONS FOR FUTURE REFERENCE.**

A. Unpacking

Remove the carton and retain the remote transmitter and installation document located in the top foam.

The retaining brackets holding the front doors must be removed.



B. Locating Your Electric Appliance

Your new electric appliance may be installed virtually anywhere in your home. However, when choosing a location ensure that the general instructions are followed. For best results, install out of direct sunlight.

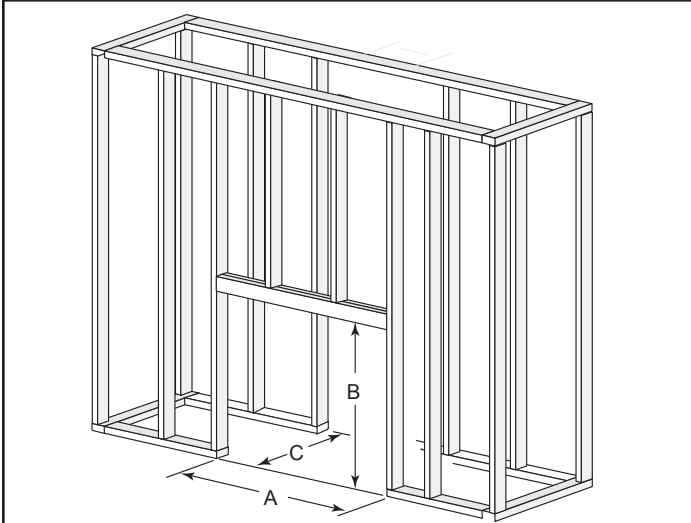
Power supply service must be either completed or placed within the appliance prior to finishing to avoid reconstruction.

C. Clearance to Combustibles

Sides	0 in. (0 mm)
Floor	0 in. (0 mm)
Top	0 in. (0 mm)
Back	0 in. (0 mm)

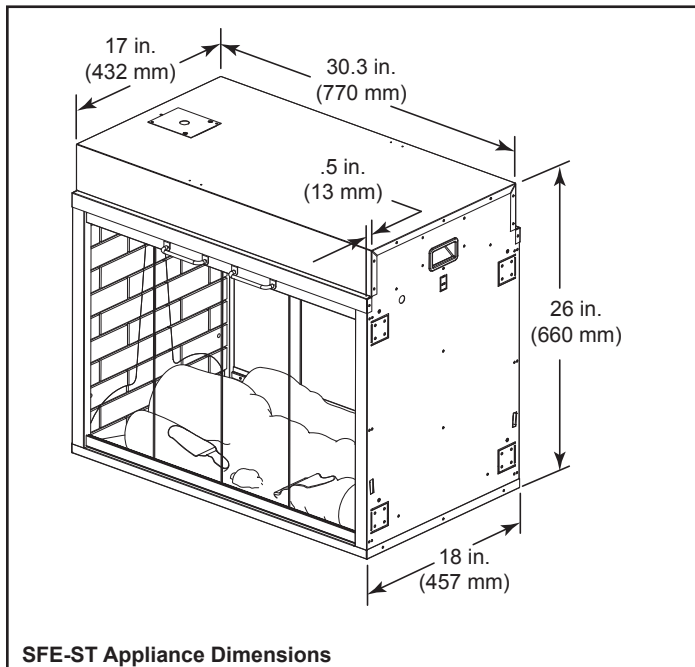
D. Framing

- Choose an appliance location and frame as shown below.
- It is important to allow for finished face when setting the depth of the frame.
- The appliance can now be positioned in the opening.
- Level it with shims if necessary, and attach the unit to the frame using the nailing flanges provided.



	A Rough Opening Width	B Rough Opening Height	C Rough Opening Depth
in.	30 1/2	26 1/4	17
mm	775	667	432

SFE-ST Framing Dimensions



SFE-ST Appliance Dimensions

E. Hardwire Electrical Connections

WARNING! Electrical wiring must comply with local building codes and other applicable regulations to reduce the risk of fire, electrical shock and injury.

Note: All wiring must be completed prior to finishing the unit.

For supply connections use No. 14 AWG or larger wires. Use copper wire only. Connect only to a 15 AMP branch circuit.

- Remove the screws securing the junction block cover.
- Wire to a properly grounded, 120 volt, 60 Hz, 15 AMP circuit
- Ensure all junction block connections are tight.
- Replace the cover and retaining screws.
- All components and wiring may be inspected by removing the top inter-panel through the appliance front opening.

F. Electrical Specifications

Voltage 120 V AC, 60 Hz
 Total Amps 0.15 AMP
 Total Watts 18 Watts

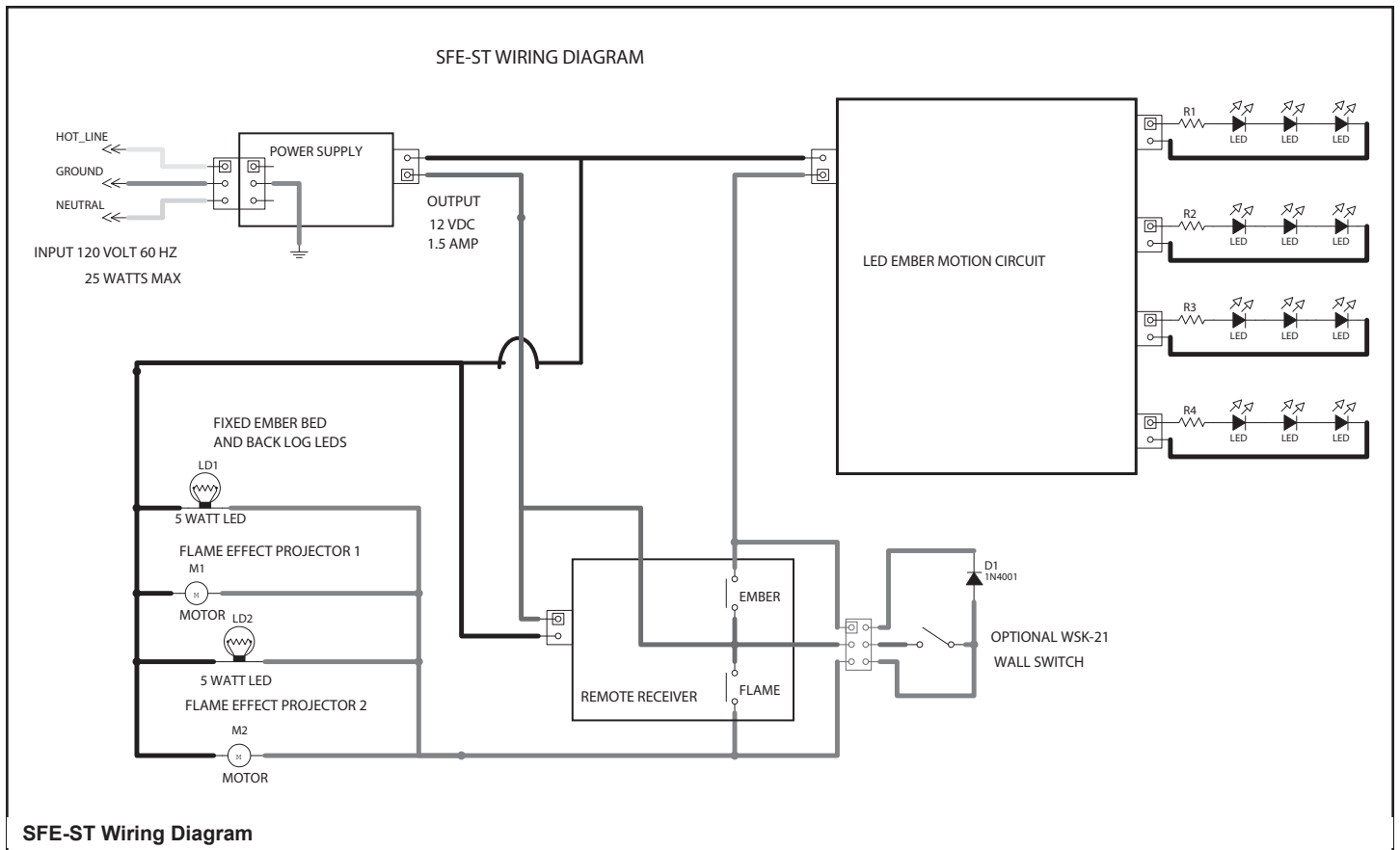
G. Wall Switch Connections

WARNING! Do NOT connect the optional low voltage switch to 120 volt branch circuit.

The optional WSK-21 Wall Switch contains a single pole low voltage switch.

Maximum run distance is 30 ft. (9.14 m) with 20 gauge solid copper low voltage thermostat wire. Connect the leads from the switch to the #2 and #3 terminals on the terminal block located under a cover on the lower side of the inner top.

The door must be removed to access the terminal block.

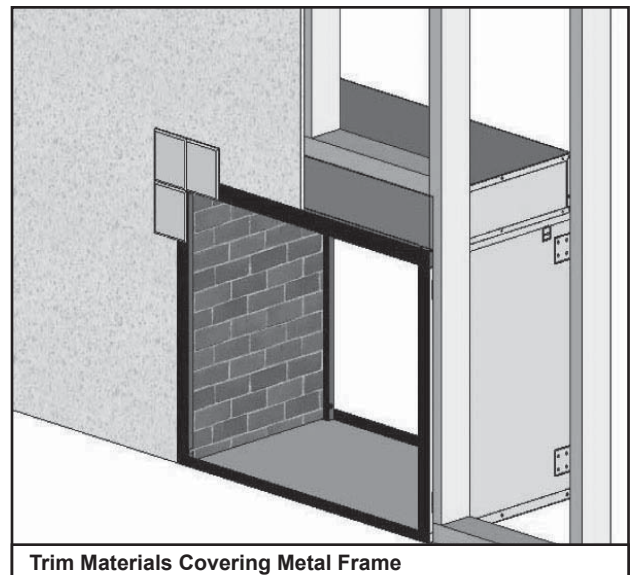
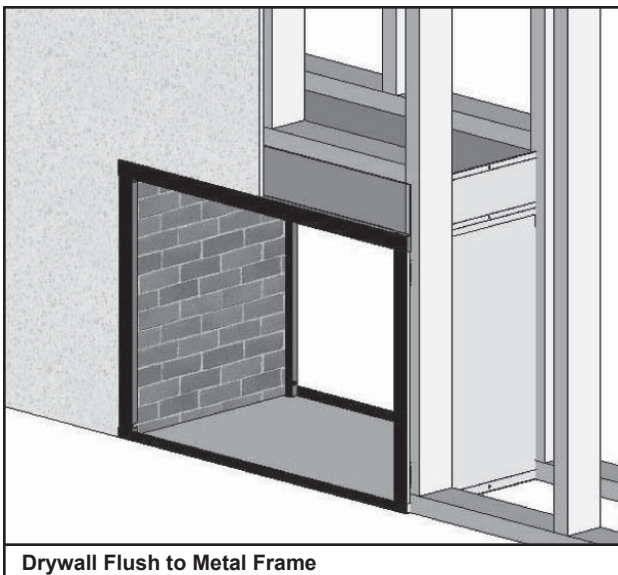


H. Finishing and Trim

Combustible or non-combustible materials may be used to finish up to the appliance opening.

The nailing flanges and drywall ledge permit installation of drywall flush to the front metal frame.

Trim material can cover the metal frame creating a true clean face installation.



2 OPERATING INSTRUCTIONS

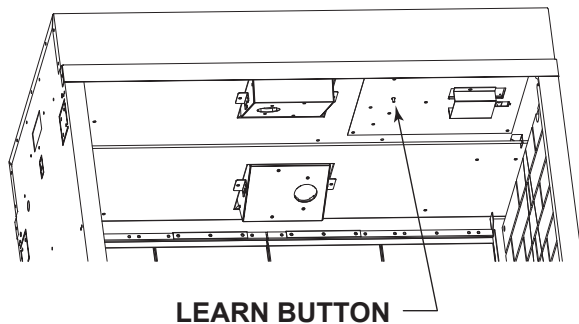
Ensure the appliance is connected to a properly grounded electrical outlet. If a new outlet is required, it should be installed by a qualified electrician according to applicable building codes.

A. Remote Control

Note: If the appliance does not respond to the hand held control see “Remote Control Initialization” below.

This equipment has been tested and found to comply with the limits for class B digital device, pursuant to Part 15 of the FCC Rules. These limits are designed to provide reasonable protection against harmful interference in residential installation. This equipment generates and uses, and can radiate radio frequency energy and, if not installed and used in accordance with the instructions, may cause harmful interference to radio communications. However, there is no guarantee that interference will not occur in a particular installation. If this equipment does cause harmful interference to radio or television reception, which can be determined by turning the equipment off and on, the user is encouraged to try to correct the interference by one or more of the following measures:

- Re-orient or relocate the receiving antenna.
- Increase the separation between the equipment and receiver.
- Connect the equipment into an outlet on a circuit different from that to which the receiver is connected.
- Consult the dealer or an experienced radio/TV technician for help.



B. Remote Control Initialization

This procedure is required only when the unit is installed or the transmitter is replaced and is not affected by the loss of power.

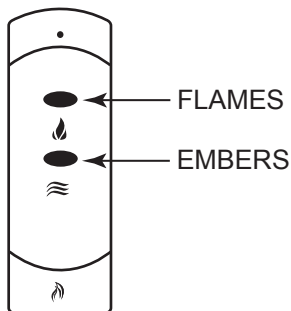
- Ensure that power is supplied through main service panel.
- Place fresh batteries in the transmitter.
- Access the LEARN button by removing the front screen.
- Press and hold down the learn button. You will hear a beep.
- Press a button on the hand-held transmitter.
- Release the learn button when you hear the long beep.
- This completes the remote control receiver/transmitter initialization.
- Three transmitters can be used simultaneously.

C. Control Usage

The controls operates the appliance modes.

- The flame effect and backlog/embers are turned ON/OFF by alternate action of the FLAME button on the remote transmitter.
- The front embers and motion are turned ON/OFF by alternate action of the EMBERS button on the remote transmitter.
- The optional wall FLAME switch provides manual operation (ON/OFF) of the flame effect.
- The optional wall EMBERS switch controls the front embers and motion.

The optional wall switch is in parallel with the remote control relays. The wall switch MUST be OFF for the Remote Transmitter to control the appliance.



3 Service Instructions

WARNING! Disconnect power at circuit breaker before attempting any maintenance or cleaning to reduce the risk of fire, electrical shock or personal injury.

A. Replacing the Light Bulb

This appliance uses a single 12 Volt, 3 Watt, MR-16 LED bulb.

- Turn off power to the unit at the main service panel.
- Remove the glass door by lifting up and in.
- Remove the two screws on the projector basket.
- Rotate the housing down to access the bulb.
- Remove the screws holding the bulb and socket.
- Unplug the bulb from the socket.
- Replace the bulb.
- Re-assemble in the reverse order.

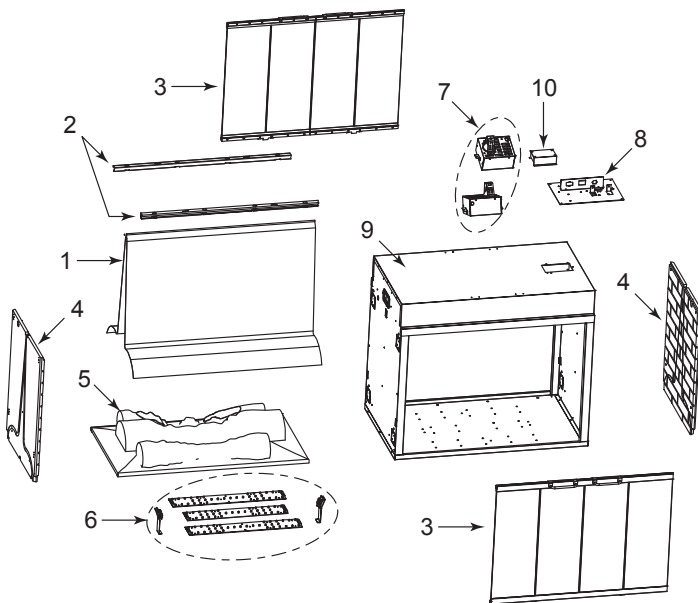
B. Screen Cleaning

During shipment, installation, handling, etc., the screen surface may collect dust particles; these can be removed by lightly wiping with a clean, dry cloth.

C. Maintenance of Motors

The motors used on the flame projector assembly is pre-lubricated for extended bearing life and requires no further lubrication.

4 Service Parts



1	Viewing Screen	4050-500
2	View Screen Retainer	4050-501
3	Glass Door (each side)	4050-502
4	Refractory (each side)	40505-503
5	Fuel Bed	4050-504
6	Embers LED Assembly	4050-505
7	Projector Assembly	4050-506
8	Power Supply Assembly	4050-507
9	3 Watt LED Bulb	4050-508
10	Receiver	4050-108
n/s	Installation Manual	4050-510
n/s	Wall Switch	WSK-21

5 Warranty



Warranty

Hearth & Home Technologies Inc. (HHT) Electric Fireplaces are tested and inspected prior to shipment and are guaranteed from defect to the purchaser of each new product. Any part which proves to be defective in material or workmanship under normal use within one year will be repaired or replaced without charge.* The Company will not be responsible for any expense incurred for installation, removal from service, or transportation costs. Any such defect should be brought to the attention of the Dealer where the product was purchased and is authorized to repair or replace within the terms of this warranty.

The Company's only obligation under this warranty will be at its sole option to repair or replace any part proving defective or to refund the purchase price thereof.

The owner/user assumes all other risks, if any, including the risk of any direct, indirect or consequential loss or damage arising out of the use of or inability to use the product.

The warranty will not apply if, in the sole judgement of the Company, damage or failure has resulted from accident, alteration, misuse, abuse, incorrect installation, or operation on an incorrect power source.

The foregoing is in lieu of all other warranties expressed, implied, or statutory, and the Company neither assumes, nor authorizes any person to assume for it any other obligation, or liability in connection with said product.

*Light bulbs are not covered in the warranty.

How to Obtain Service.

To obtain service under this warranty you must:

1. Send written notice of the claimed condition to Heatilator Technical Service Department, Hearth & Home Technologies Inc., 1915 W. Saunders St., Mt. Pleasant, IA 52641.
2. Provide proof of purchase, model number, serial number, and manufacturing date code to HHT.
3. Provide HHT reasonable opportunity to investigate the claim, including reasonable opportunity to inspect the appliance prior to any repair or replacement work and before the Appliance or any component of the Appliance has been removed from the place of original installation.
4. Obtain HHT's consent to any warranty work before the work is done.

ADDITIONAL INFORMATION. If you would like information on current HHT products or want to locate a dealer in your area, call 1-800-927-6841

©2003 Heatilator® is a Registered Trademark of Hearth & Home Technologies Inc