



# INSTALLATION INSTRUCTIONS

## DECORATIVE SCREEN FRONT

DF-SAL60-PT/BZ/BK

DF-PORT60-PT/BZ/BK

DF-SAL100-PT/BZ/BK

DF-PORT100-PT/BZ/BK

These screen fronts have been tested for use with the ICON Series Direct Vent gas appliances. Check with your local building code agency before you begin installation to ensure compliance with local codes, including the need for permits and follow-up inspections. If you encounter any problems regarding code approvals, or if you need clarification of any of the instructions contained here, contact your Heatilator dealer with any questions or concerns. For the location of your nearest Heatilator dealer, visit [www.heatilator.com](http://www.heatilator.com).

**CAUTION! Risk of Cuts or Abrasions.** Wear protective gloves and safety glasses during installation. Sheet metal edges are sharp.



### **WARNING**

The fixed glass panel on the front of this appliance is extremely hot while it is in operation and for one hour after it has been shut off. A secondary barrier has been provided with this front face to prevent direct contact with the fixed glass panel. Do not operate this appliance with the barrier removed.

**Note:** All fingerprints and smudges must be wiped clean from the colored face prior to the initial burning of the appliance. If this is not done, these prints and smudges will be cured into the finish and set for the life of the appliance.

To keep the finish looking its best, gently wipe with a soft cloth and if desired, soap and water. **Never** use thinner or abrasive cleaners since these will damage the finish.

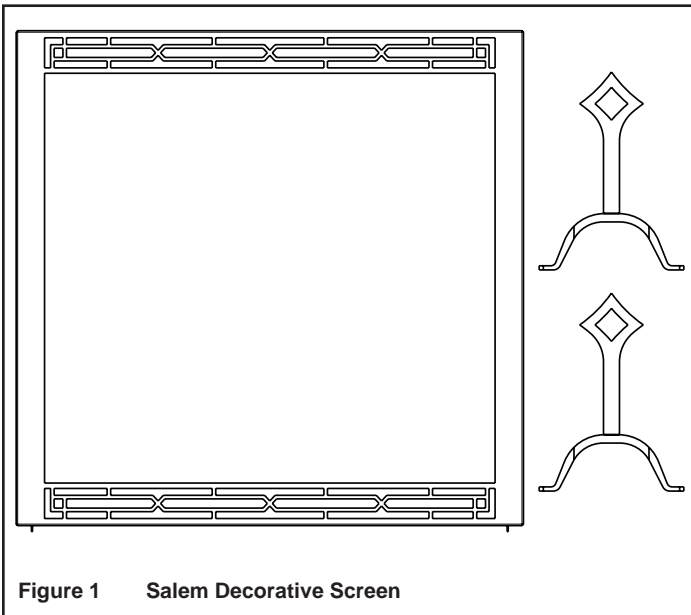


Figure 1 Salem Decorative Screen

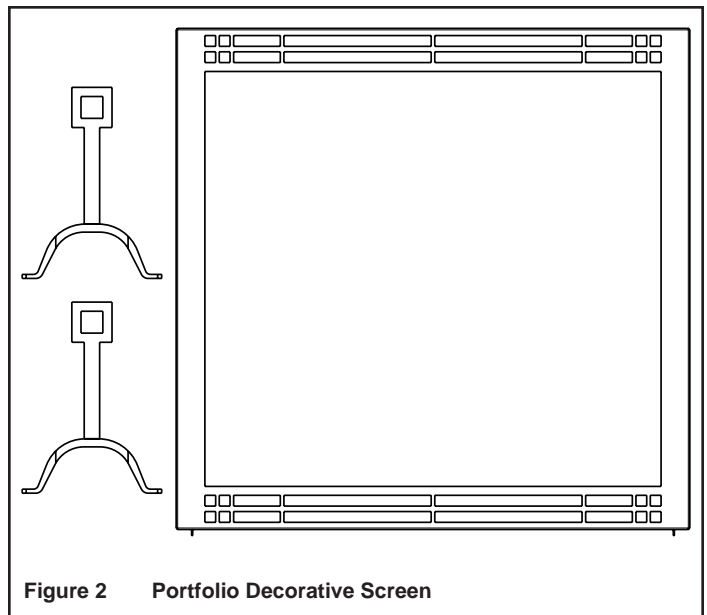


Figure 2 Portfolio Decorative Screen

### 1. Removing/Replacing Front Refractory Pieces

Remove three outer refractory pieces.

- Slide bottom hearth refractory out from under side refractories and set aside. See Figure 3.

- Lift up on side refractory, compress spring, remove lower pin from bottom refractory bracket and set refractory aside. See Figure 4.
- Repeat for the other side refractory.

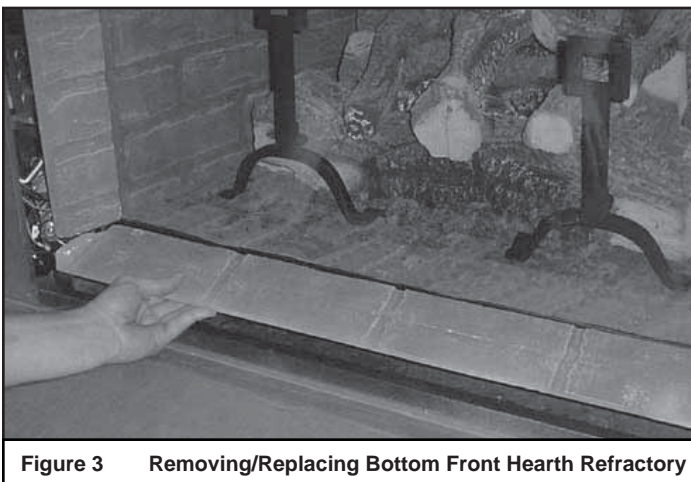


Figure 3 Removing/Replacing Bottom Front Hearth Refractory

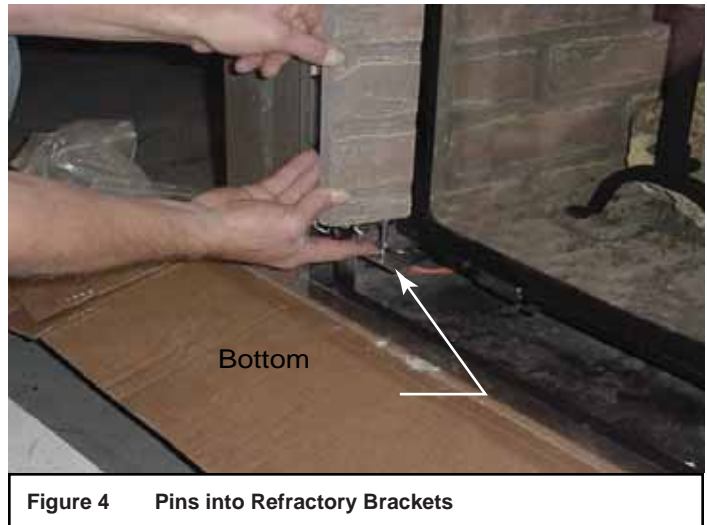


Figure 4 Pins into Refractory Brackets

## 2. Remove/Replace Glass Panel Assembly

- Release glass latches (6 in ICON60, 10 in ICON100). Lift glass frame assembly carefully off bottom glass support and set aside.
- Reverse steps above to replace the glass assembly.

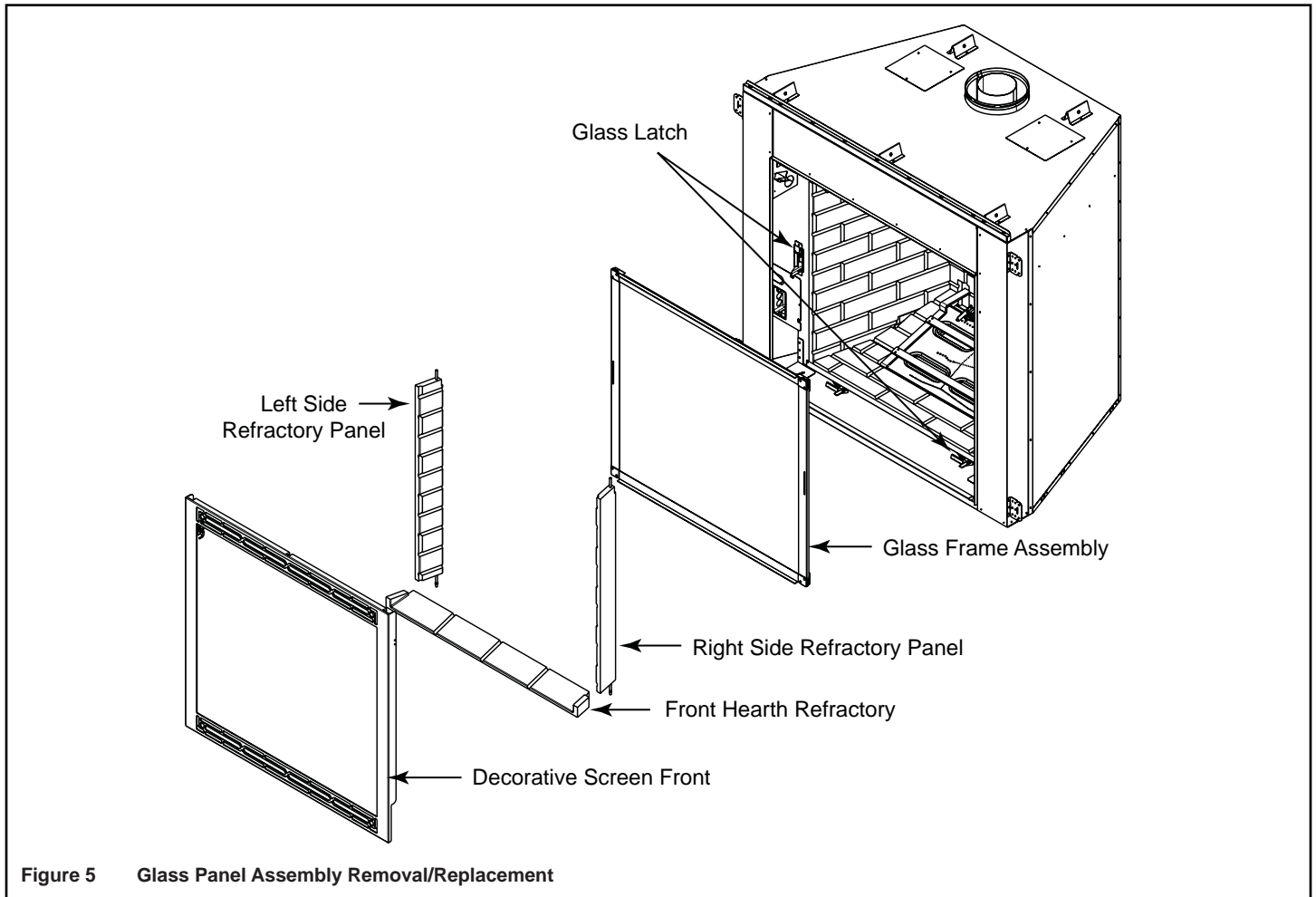


Figure 5 Glass Panel Assembly Removal/Replacement

### 3. Attach Andirons

Andirons for this appliance will be shipped in the package containing the screen front.

- Locate two screws behind hearth refractory and burner pan. See Figure 6.



**Figure 6** Locate Screws

- Position andiron bracket between hearth refractory and burner pan. See Figure 7.



**Figure 7** Position Andiron Bracket

- Tip andiron towards logs to line up slot in bracket with screw in firebox bottom.
- Slide andiron under screw head and tighten screw.
- Repeat for second andiron.

### 4. Replace Glass Panel Assembly

Replace glass panel assembly as per instructions in Step 2.

### 5. Replace Refractories

Replace three outer refractory pieces as per instructions in Step 1.

### 5. Install/Remove Screen Front

**To install the screen front:**

- Place lower edge of screen front into slots on lower face of appliance.
- Rotate top of front towards the appliance. Front will snap into place. See Figure 8.



**Figure 8** Installing Screen Front

**To remove the screen front:**

- Locate spring pins in upper left and right corners of front. Pull down on pins to release front and rotate top of front away from appliance.