



Hearth & Home Technologies - Mt. Pleasant  
 1915 W. Saunders St.  
 Mt. Pleasant, Iowa 52641  
 Division, HON INDUSTRIES  
 www.hearthtech.com



This appliance has been retired.  
 Service parts pages within have been removed.  
 For replacement parts, please refer to the individual  
 service parts list located on the brand websites.

# OWNER'S MANUAL AND INSTALLATION INSTRUCTIONS

## BCBR36 B-VENT GAS APPLIANCE



**WARNING:** If the information in this manual is not followed exactly, a fire or explosion may result causing property damage, personal injury or loss of life.

- Do not store or use gasoline or other flammable vapors and liquids in the vicinity of this or any other appliance.
- What to do if you smell gas
  - Do not try to light any appliance.
  - Do not touch any electrical switch; do not use any phone in your building.
  - Immediately call your gas supplier from a neighbor's phone. Follow the gas supplier's instructions.
  - If you cannot reach your gas supplier, call the fire department.
- Installation and service must be performed by a qualified installer, service agency or the gas supplier.

**CAUTION:**  
 Do not expose the appliance to the elements (such as rain, etc.).

This manual must be used for installation of the BCBR36 Gas Appliance and retained by the homeowner for operation and maintenance instructions.

**WARNING!**  
**Installation and service must be performed by a qualified installer, service agency or the gas supplier. Improper installation, adjustment, alteration, service or maintenance can cause injury or property damage. Refer to this manual. For assistance or additional information, consult a qualified installer, service agency or the gas supplier.**

Please retain this manual for future use.

## TABLE OF CONTENTS

Design and Installation Considerations for B-Vents .....	3
A. Appliance Specifications .....	4
B. Location and Clearances .....	5
C. Framing .....	6
D. Setting the Appliance .....	6
E. Venting .....	7
F. Utilities .....	10
G. Finishing .....	14
H. Appliance Preparation .....	14
I. Lighting Instructions .....	16
J. Seasonal Checklist .....	17
K. Start-up Issues .....	18
L. Maintenance Instructions .....	19
M. Log Removal/Replacement .....	21
N. Optional Components .....	22
O. Replacement Parts .....	23
Index .....	27
Limited Lifetime Warranty .....	28

### WARNING!

**DO NOT use this appliance if any part has been under water. Immediately call a qualified service technician to inspect the appliance and to replace any part of the control system and any gas control which has been under water.**

### SAFETY PRECAUTIONS

1. Please read these installation instructions completely before beginning installation procedures. Failure to follow them could cause an appliance malfunction resulting in serious injury and/or property damage.
2. Installation and repair should be done by a qualified service person. This appliance should also be inspected annually by a qualified service person. More frequent inspections/cleaning may be required due to excessive lint from carpeting, bedding materials, etc. It is imperative that the control compartment, burners and circulating air passageways of the appliance be kept clean.
3. This is a vented decorative gas appliance. Do not burn wood or other material in this appliance.
4. **NEVER** leave children unattended when there is a fire burning in the appliance.
5. This appliance must be vented with a 5" B-vent system and must terminate above the roof line. Venting **must not be connected** to a chimney flue servicing a solid fuel burning appliance.
6. Use only the fuel gas specified on the rating label of this gas appliance.
7. The appliance area shall be kept clear and free from combustible materials, gasoline and other flammable vapors and liquids.
8. While servicing this appliance, always shut off all electricity and gas to the appliance. This will prevent possible electrical shock or burns. Also, make sure the appliance is completely cooled before servicing.
9. Do not use this appliance if any part has been under water. Immediately call a qualified service technician to inspect the appliance and to replace any part of the control system and any gas control which has been under water.
10. Be sure to provide adequate clearances around the air openings into the combustion chamber and adequate accessibility clearances for servicing and proper operation.
11. Provisions shall be made to provide adequate combustion and ventilation air. The flow of combustion and ventilation air should not be obstructed.

## DESIGN AND INSTALLATION CONSIDERATIONS FOR B-VENTS

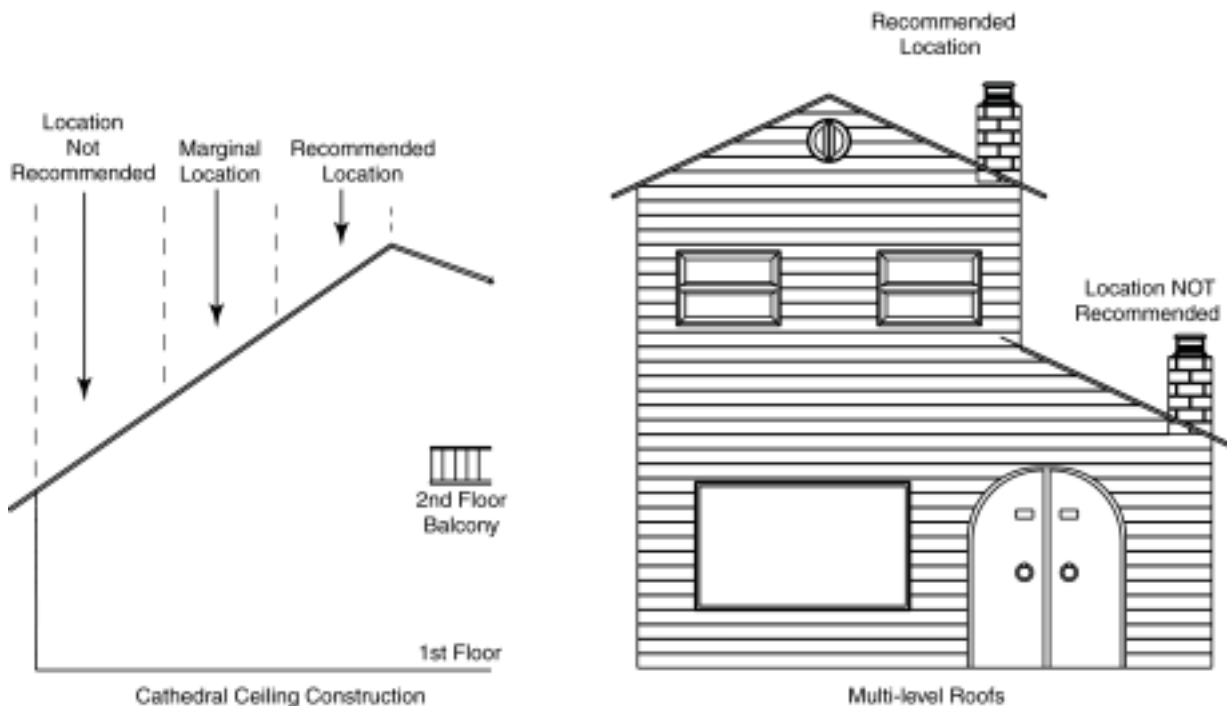
When selecting a location for your B-Vent appliance, it is important to evaluate a number of considerations. Modern construction techniques can create conditions that may not allow your vent to draft properly. This may result in spillage from your B-Vent appliance, as well as cause other combustion appliances to operate incorrectly.

Tightly sealed construction is important for energy efficiency. Unfortunately, a great deal of effort has been directed to tightening up sidewall construction, while considerably less attention has been paid to tightening upper portions of the warm air envelope (insulated ceilings). This has increased the “Stack Effect”, a condition that increases the negative pressure generated by the structure. This negative pressure will directly affect the drafting performance of a B-Vent appliance vent. To minimize the negative pressure generated by stack effect, make certain that all ductwork installed in the attic spaces is sealed airtight. Minimize the number of recessed light fixtures installed in the insulated ceiling and use sealed recessed light fixtures. Finally, make certain the whole house fans and attic access panels are tightly sealed. These are important design considerations that must be observed during the design and construction stage of the home.

If you desire to put an appliance in your basement, we recommend that you consider a direct vent gas appliance. Basements always have a significant negative air pressure that causes the B-Vent system to be more susceptible to spillage and cold flue backdrafting. Since direct vent gas appliances are sealed, they are not affected by the negative pressure that exists in basements.

Finally, a B-Vent appliance performs best when the vent (roof termination) is located on the upper half of the roof, especially when cathedral ceilings are present. Vents that are located on the lower half of the roof realize what is known as “lazy flue” and will not draft as well as a vent that is located in the upper portion of the roof. The reason for this is that the stack effect generated by the overall height of the living spaces inside the house will exceed the draft generated by the vent system. If you desire to place an appliance in a location where the termination cap would be located on the lower half of a roof; such as on an outside wall at the base of a cathedral ceiling, we recommend that you consider using a direct vent gas appliance. This will ensure an appliance that operates correctly.

These properties do not affect just your B-Vent appliance. They can cause any woodburning fireplace as well as any conventionally vented (B-Vent) gas appliance to operate improperly. Careful planning at this stage of your project will ensure satisfaction with the operation of your appliance once it is completed.



## A. APPLIANCE SPECIFICATIONS

### U.S. and Canada Certification

The BCBR36 Gas Appliance has been tested in accordance with the standards **ANSI Z21.50-2000** and **CSA 2.22-2000**, and has been listed by Underwriters Laboratories Inc. for installation and operation as described in this manual. All components are UL, AGA, CGA, or CSA safety certified.

### Local Codes

This installation must conform with local codes. In the absence of local codes comply with the **National Fuel Gas Code ANSI Z223.1-latest edition** in the U.S.A., and the **CAN/CGA B149 Installation Codes** in Canada.

If you need assistance during installation, please contact your local dealer or the Technical Services Department, Hearth & Home Technologies, 1915 W. Saunders Street, Mt. Pleasant, Iowa 52641, 1-800-843-2848.

**We strongly recommend that you DO NOT install B-Vent Gas Appliances in strong negative air locations, such as a basement or a public facility. Living rooms with cathedral ceilings could be susceptible to a negative air situation, but such installations can be overcome through raising the termination, depending on specific installations. This appliance uses room air for normal operation and could have problems establishing a positive draft in a negative air location. In lieu, we recommend a Direct Vent Gas Appliance.**

### WARNING!

**This appliance is tested and listed for use only with the optional accessories listed in these instructions. Use of optional accessories not specifically tested for this appliance could void the warranty and/or result in a safety hazard.**

**Note:** Minimum and maximum clearances must be maintained at all times. Illustrations throughout these instructions reflect typical installations and are for design purposes only. Actual installation may vary slightly due to individual design preferences.

The illustrations and diagrams used throughout these installation instructions are not drawn to scale.

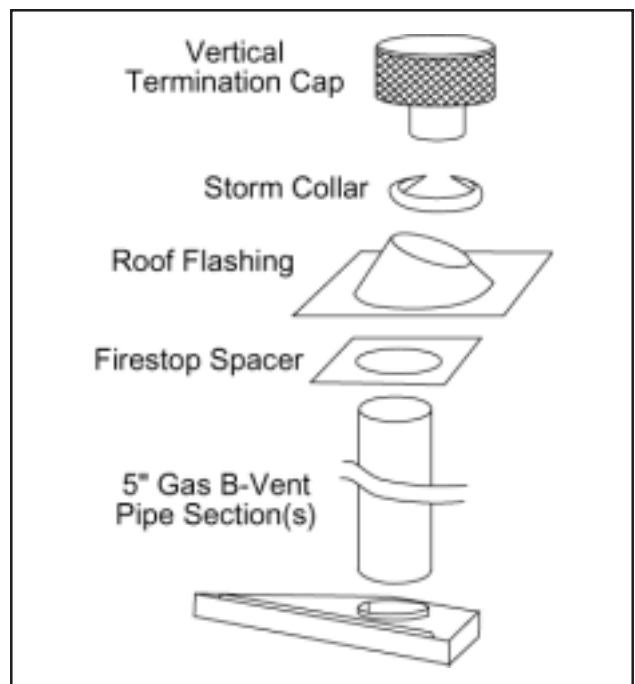
### Tools and building supplies normally required for installation:

Saw	Wall-finishing materials
Pliers	Framing material
Hammer	Appliance surround
Phillips screwdriver	Caulking material
Tape measure	Safety gloves
Plumb line	Electric drill/bits
Level	Framing Square

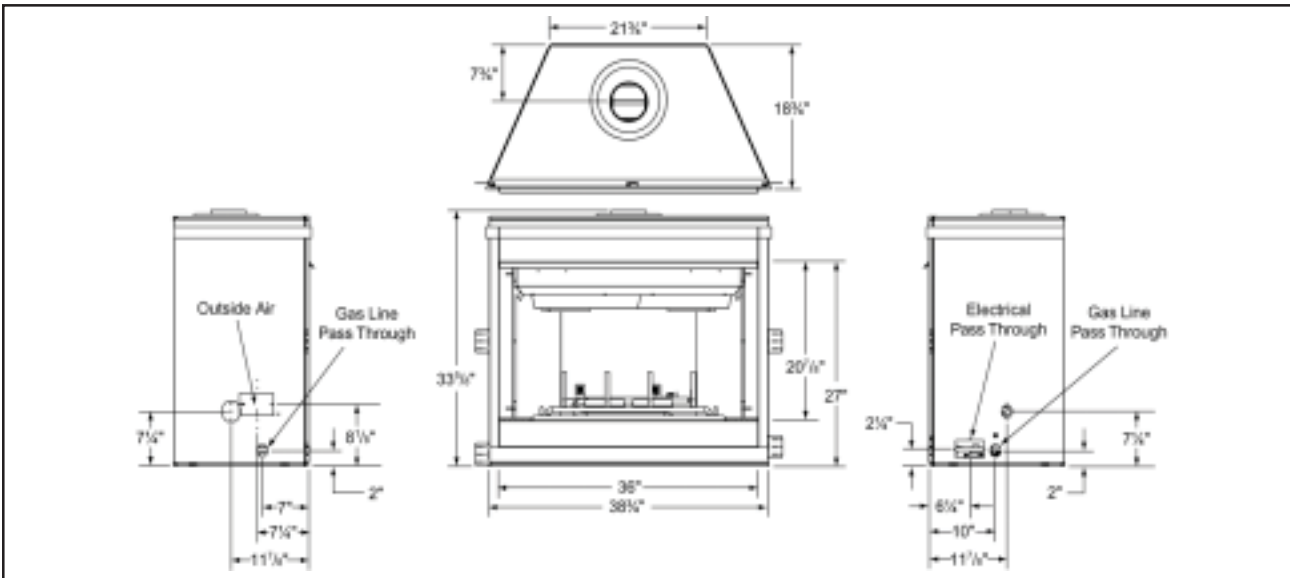
### BCBR36 Nomenclature

Catalog #	Description
BC	Builders Choice
B	B-Vent
R	Radiant
36	36" Appliance

### Typical Installation Components



## B. LOCATION AND CLEARANCES



Appliance Dimensions

### 1. Appliance Locations and Space Requirements

Figure 1 illustrates a variety of ways the appliance may be located in a room. The BCBR36 may be installed directly on the floor or raised on a hearth. These appliances are certified for installation in a bedroom or bed/sitting room in the U.S. and Canada, provided that the bedroom or bathroom has a volume of at least 1150 cubic feet.

**CAUTION:**  
Do not expose the appliance to the elements (such as rain, etc.).

### 2. Clearances

Figure 2 shows all clearances that must be maintained around the appliance.

**WARNING!**  
Due to high temperatures, the appliance should be located out of traffic and away from furniture and draperies.

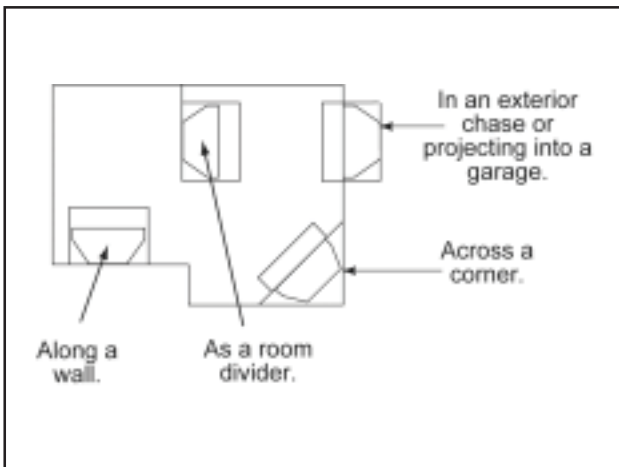


Figure 1 - Appliance Locations

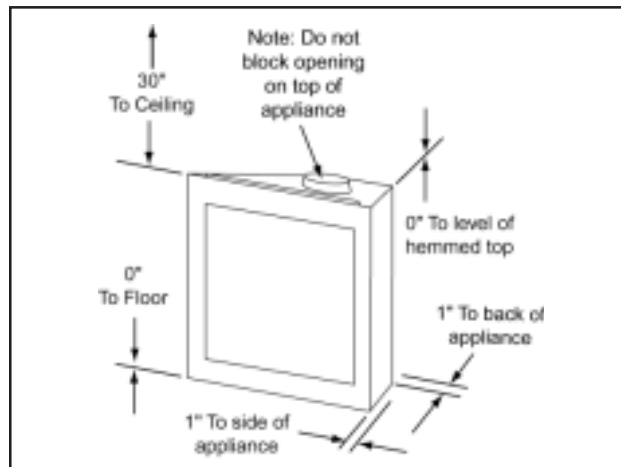


Figure 2  
Appliance Clearances to Combustible Materials

## C. FRAMING

Figure 3 shows typical framing of this appliance using combustible materials and the minimum mantel heights. All required clearances to combustibles must be adhered to. Figure 4 shows rough framing dimensions.

**CAUTION:**  
Wear gloves and safety glasses for protection.

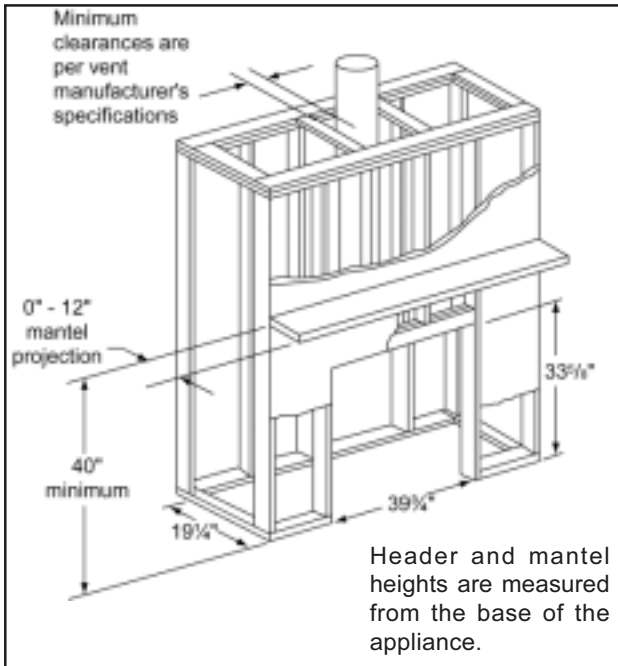


Figure 3 - Framing

**CAUTION:**  
Provide adequate clearances around the air openings into the combustion chamber and adequate accessibility clearances for servicing and proper operation.

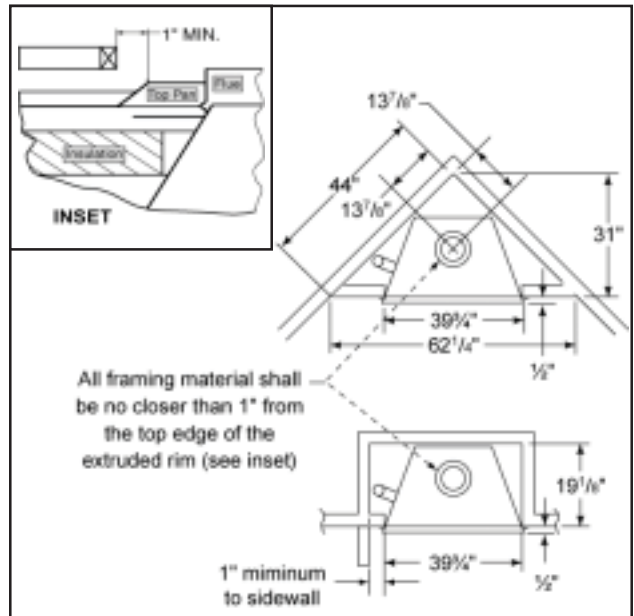


Figure 4 - Rough Framing Dimensions

**WARNING!**  
To prevent contact with sagging or loose insulation, the appliance must not be installed against vapor barriers or exposed insulation.

## D. SETTING THE APPLIANCE

This appliance may be placed on a smooth combustible or noncombustible continuous, flat surface. When the appliance is installed directly on carpeting, tile, or a combustible material other than wood flooring, the appliance shall be installed on a metal or wood panel extending the full width and depth of the appliance. Slide the appliance into position and level the appliance from side-to-side and front-to-back. Shim with noncombustible material as necessary.

Secure the appliance by bending out the nailing flanges on each side of the appliance and nail to framing. The nailing flanges have been positioned 1/2" back from the front of the appliance to allow the addition of drywall.

**WARNING!**  
This appliance may only use an approved B-Vent chimney system. It must not be connected to a chimney flue servicing a separate solid fuel or gas fuel burning appliance.

## E. VENTING

**Note:** This appliance requires a 5" B-vent for operation. Never down-size pipe.

### 1. Clearances

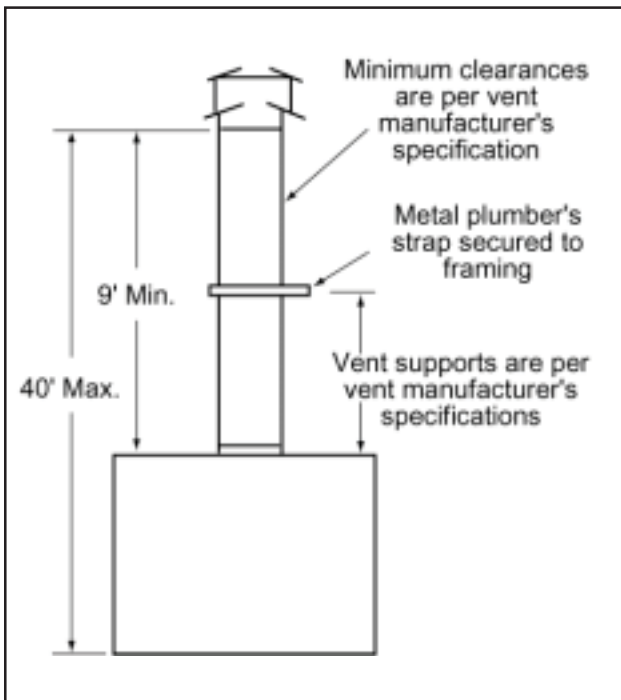
Vent clearances are per vent manufacturer's specifications.

### 2. Vent Lengths

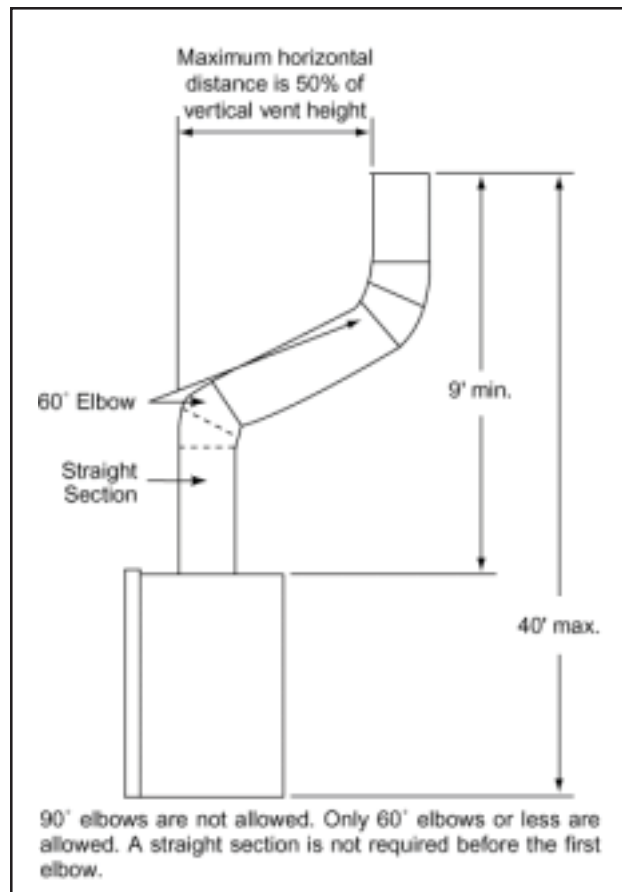
Various venting configurations are shown in Figures 5 and 6 from which maximum vent runs can be determined.

**WARNING - RISK OF FIRE!**

Always maintain minimum clearances or greater around the vent system. Do not pack air spaces with insulation or other material.



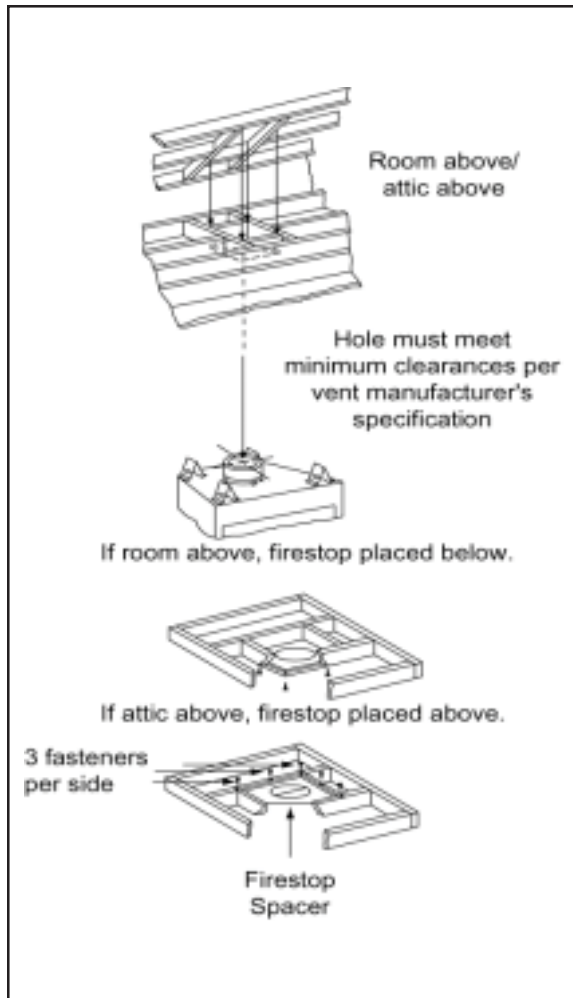
**Figure 5**  
Vertical Termination Vent Lengths



**Figure 6**  
Venting off the Top of the Appliance

**3. Firestop Spacer/Vent Installation**

Frame an opening and install a firestop spacer whenever the vent penetrates a ceiling/floor area, as shown in Figure 7. Frame the opening with the same sized lumber as used in the ceiling/floor joists. Unless the flue is offset, the hole should be directly above the appliance. DO NOT pack insulation around the vent. Assemble vent sections as per manufacturer's specifications.

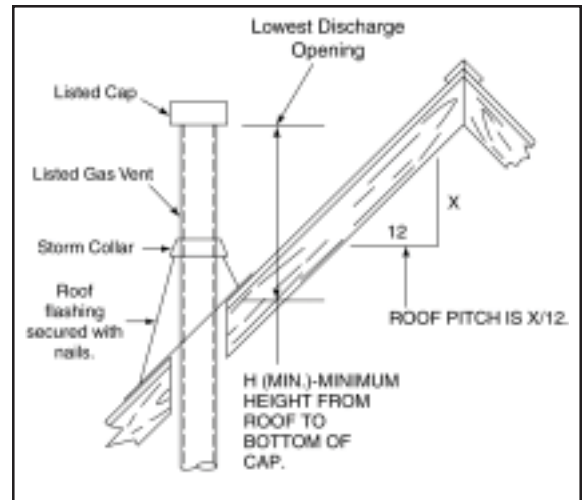


**Figure 7**  
Installing the Firestop Spacer

**4. Chase/Termination Installation**

Figure 8 and Table 1 specify minimum vent heights for various pitched roofs.

These vent heights are necessary for safety and do not ensure draft-free operation. Trees, buildings, adjoining roof lines, adverse conditions, etc. may create a need for a taller vent should down drafting occur.



**Figure 8**  
Vent Height for Vertical Termination

**Note:** To ensure proper operation, verify all venting and the termination are unobstructed.

<u>Roof Pitch</u>	<u>H (Min.) Ft.</u>
Flat to 6/12 .....	1.0
6/12 to 7/12 .....	1.25
Over 7/12 to 8/12 .....	1.5
Over 8/12 to 9/12 .....	2.0
Over 9/12 to 10/12 .....	2.5
Over 10/12 to 11/12 .....	3.25
Over 11/12 to 12/12 .....	4.0
Over 12/12 to 14/12 .....	5.0
Over 14/12 to 16/12 .....	6.0
Over 16/12 to 18/12 .....	7.0
Over 18/12 to 20/12 .....	7.5
Over 20/12 to 21/12 .....	8.0

**Table 1**  
Vent Height

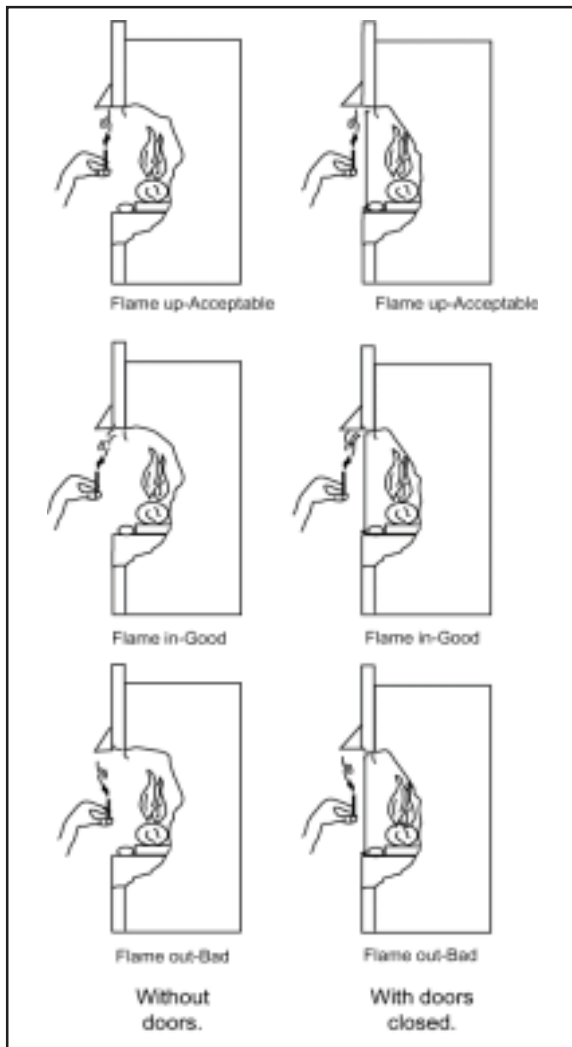


**5. Checking the Vent System**

Test the venting system periodically to assure proper operation. This can be done with a match while the appliance is operating.

Hold a lighted match at the top edge of the appliance opening. If the flames and smoke remain upright, ventilation is acceptable. If the flames and smoke are drawn into the appliance, this means ventilation is good. If the flames and smoke are forced away from the appliance, this may indicate a ventilation blockage or down draft resulting in gas spillage into your home. If this occurs, turn off the appliance and do not burn it until it has been inspected by a qualified service person.

If you have installed optional doors, close the doors and conduct the test following the same instructions above. See Figure 9.



**Figure 9**  
**Testing Ventilation**

**6. Outside Air Kit Installation**

An outside air kit is available as an optional feature with this appliance. An outside air kit helps to decrease the amount of room air taken, by utilizing outside air for combustion. It is strongly recommended that it be installed. An outside air kit can be installed only on the left side.

It is recommended to utilize the shortest duct run to optimize the performance of the outside air kit. The outside air kit inlet thimble should be positioned at least four feet above the ground level, in a manner that will not allow snow, leaves, etc. to block the inlet.

To install the outside air kit, refer to the installation instructions provided with the kit.

**Note:** The outside air kit can terminate at any level with the exception that it must terminate at least one foot below the vent termination cap.

**WARNING!**

Exhaust products of gasoline engines are hazardous. The outside air must not be taken from a garage space, attic spaces, basements, or above the roofing where other heating appliances, fans, or chimneys exhaust or utilize air.

## F. UTILITIES

### 1. High Altitude Installation

For U.S. installation, appliances are tested and approved for elevations from 0-2000 feet. When installing this appliance at an elevation above 2000 feet, National Fuel Gas Codes require a decrease of the input rating by changing the existing burner orifice to a smaller size. Input should be reduced 4% for each 1000 feet above sea level. Check with the local gas utility for proper orifice size identification. The correct orifice is available from your Hearth & Home Technologies distributor.

For Canada, appliances are certified for elevations from 0-4500 feet. When installing this appliance at an elevation between 0-4500 feet in Canada, the input rating does not need to be reduced. When installing this appliance at an elevation above 4500 feet in Canada, check with local authorities.

### 2. Gas Line Connection

The appliance is provided with a stainless steel flexible connector and a listed (and Commonwealth of Massachusetts approved) T-handle manual shutoff valve.

You may plumb this appliance from either the right or left side of the appliance. The incoming gas line should be piped into the valve compartment and connected to the 1/2" FIP connection provided on the manual shutoff valve. See Figure 10 to connect the gas line. Optional: Seal around the gas line to prevent cold air leakage.

All connections must be tightened and checked for leaks with a soap and water solution or a leak detector.

Bleed the gas line to extract any air that may have been trapped inside the pipe.

**Note:** Have the gas supply line installed in accordance with building codes by a qualified installer approved and/or licensed as required by the locality. In the Commonwealth of Massachusetts, installation must be performed by a licensed plumber or gas fitter.

**Note:** This appliance and its manual shutoff valve must be disconnected from the gas supply piping system during any pressure testing of that system at test pressures in excess of 1/2 psi (3.5 kPa). The appliance must be isolated from the gas supply piping system by closing its manual shutoff valve during any pressure testing of the gas supply piping system at test pressures equal to or less than 1/2 psi (3.5 kPa).

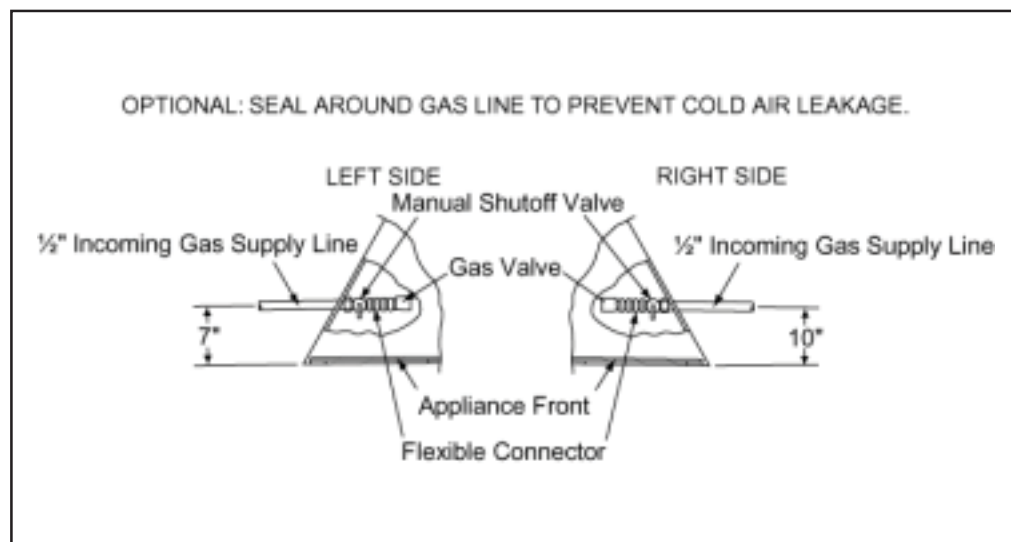


Figure 10 - Gas Line

**WARNING!**  
 This valve has been preset at the factory. Altering settings may result in fire hazard or bodily injury.

**3. Gas Pressure**

On the intermittent pilot gas control valve, a pressure tap is included on the front face of the valve. Pressure taps are immediately upstream of the gas supply connection and accessible for test gauge connection. See Table 2.

**4. Gas Conversions**

Natural or propane gas conversions necessary to meet the application need to be made by a qualified technician using Hearth & Home Technologies specified and approved parts.

In the event your appliance must be converted to use propane, you must use a DCKP conversion kit. To be converted to use natural gas, you must use a DCKN conversion kit.

<b>BCBR36</b>	
Inlet Gas Supply Pressure (NG)	4.5 (min.) - 7.0 (max.) in. w.c.
Optimal Manifold Press (NG)	3.5 in. w.c.
Inlet Gas Supply Pressure (LP)	11.0 (min.) - 14.0 (max.) in. w.c.
Optimum Manifold Pressure (LP)	10 in. w.c.

**Table 2**

<b>BCBR36</b>	
Input Rate (NG)	23,000 BTU/hr.
Input Rate (LP)	23,000 BTU/hr.
Orifice Size (LP)	.056/1.42 mm
Orifice Size (NG)	.089/2.26 mm

**Table 3**

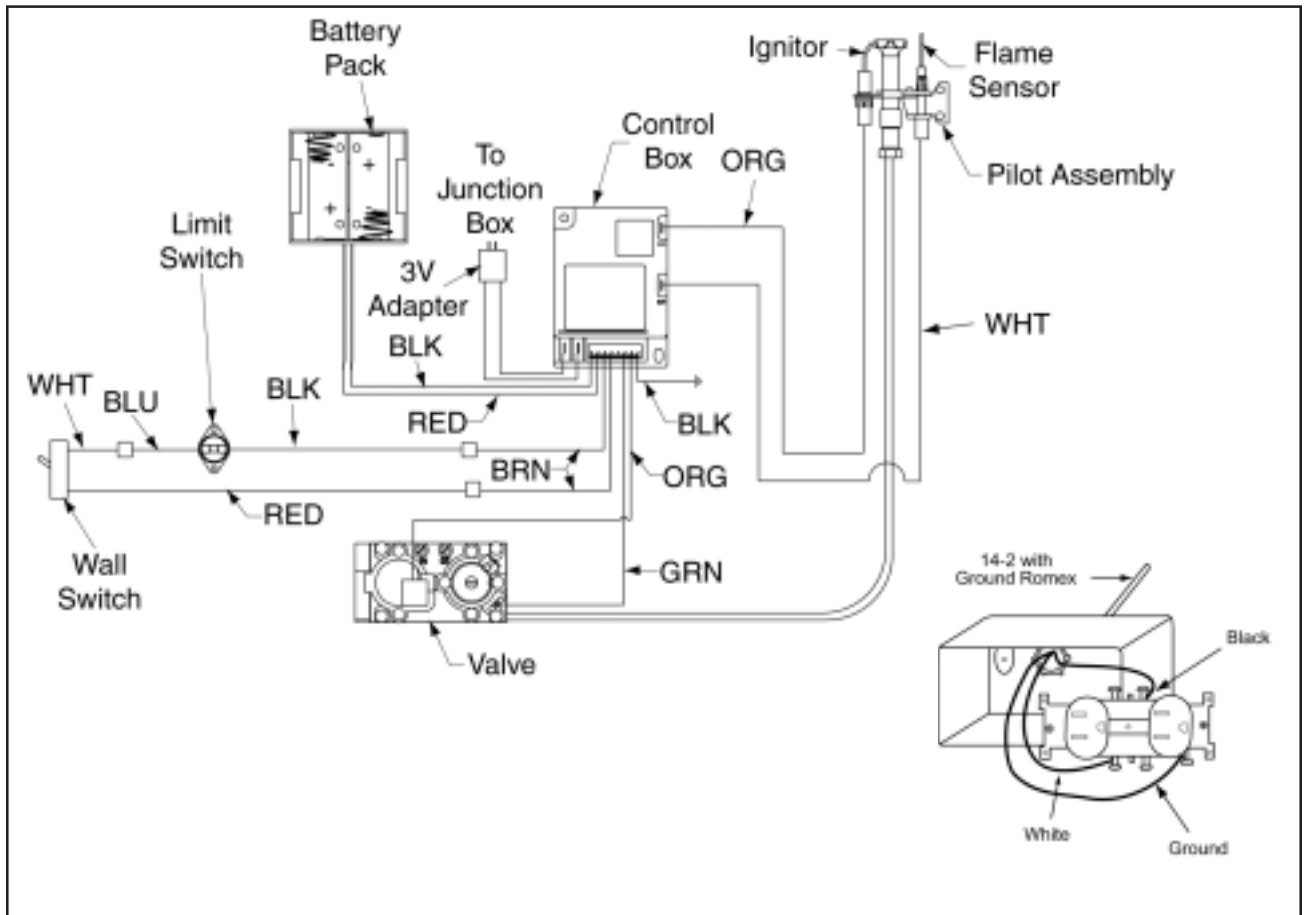
**5. Ignition System**

This appliance is equipped with an intermittent pilot control valve which operates on a 3 volt system. See wiring diagram, Figure 11.

The appliance is supplied with a battery pack and a 3 volt AC transformer, which requires the installation of the supplied JK9 Junction Box Kit. It is highly recommended that the JK9 be installed at this time to avoid reconstruction. The battery pack requires two D cell batteries (not included). Batteries cannot be placed in the battery pack while using the 3 volt AC transformer. Conversely, the transformer must be unplugged if the battery pack is used.

**Note:** This appliance must be electrically wired and grounded in accordance with local codes or, in the absence of local codes, with **National Electric Code ANSI/NFPA 70-latest edition** or the **Canadian Electric Code, CSA C221.1**.

**CAUTION:**  
Battery polarity must be correct or control module damage will occur.



**Figure 11 - Intermittent Pilot Ignition Wiring Diagram**

**6. JK9 Junction Box Installation**

Your appliance is supplied with a JK9 Junction Box. To operate the appliance with the supplied 3V AC transformer and/or remote control option, it is recommended that the junction box be installed and wired at this time to avoid reconstruction.

- a. Refer to installation instructions included with the JK9 Junction Box.
- b. Wire the junction box per the diagram in Figure 11.
- c. Prior to attaching the junction box to the appliance, the heat shield supplied with your appliance must be installed. Insert the top flange of the heat shield through the electrical knockout hole from the inside (Figure 12), then insert the JK9 through the hole and attach with three screws. See Figure 13.

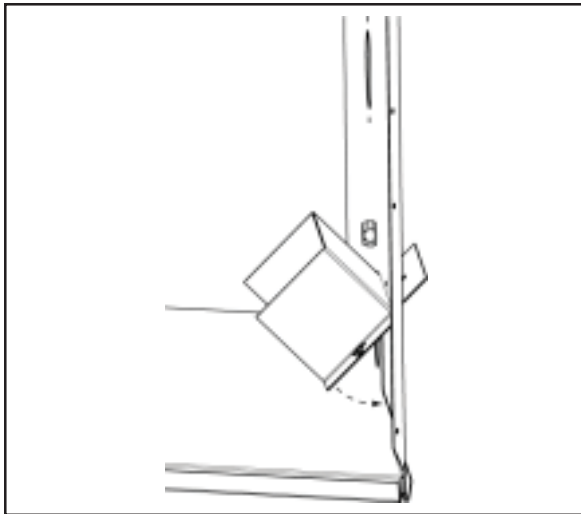


Figure 12 - Attaching the Heat Shield

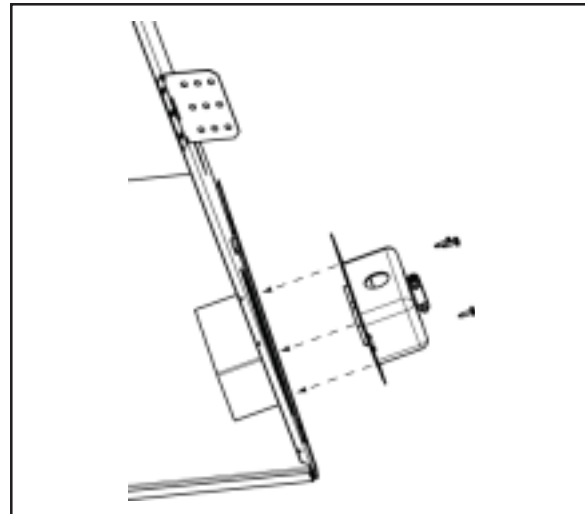


Figure 13 - Attaching the Junction Box

## G. FINISHING

### 1. Combustible Finishing Material

Material made of or surfaced with wood, compressed paper, plant fibers, plastics, or any material capable of igniting and burning, whether flame proofed or not, plastered or unplastered (this includes drywall).

### 2. Noncombustible Finishing Material

Material which will not ignite and burn. Such materials are those consisting entirely of steel, iron, brick, tile, concrete, slate, glass or plasters, or any combination thereof, or have a UL fire rating of zero (0).

### 3. High Temperature Sealant Material

Sealants that will withstand high temperatures: General Electric RTV103 (Black) or equivalent. Rutland, Inc. Appliance Mortar #63, or equivalent.

A high temperature sealant, 1/8" wide minimum bead, must be used to close off gaps between the appliance and facing to prevent cold air leaks. See Figure 14.

A combustible mantel may be installed. Please refer to Figure 3, page 6.

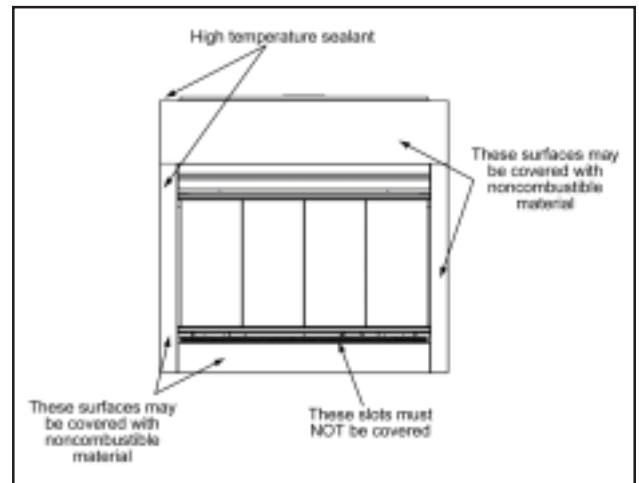


Figure 14



**WARNING!**

Air slots on this appliance cannot, in any way, be covered as it may create a fire hazard.

## H. APPLIANCE PREPARATION

### 1. Appliance Preparation

The log set should look similar to that in Figure 26, page 21. Remove the control access panel from its shipping location (Figure 15) by removing the two screws holding it in place. Replace the two screws. Put the control access panel in place by sliding one end on the appliance bottom by means of slots in the control access panel. Slide the other end onto the appliance bottom. See Figure 16.



Figure 15 - Control Access Panel Shipping Location



Figure 16 - Control Access Panel Installation/ Removal

**2. Placing the Lava Rock and Vermiculite**

Place lava rock on top of control access panel, in front of, under and around burner. When placing vermiculite, sprinkle it evenly over the area covered by the lava rock. See Figures 17-18.

It is not necessary to use all the lava rock and vermiculite. Save the remainder for future use.

**3. Placing the Rock Wool**

Place approximately 1/2" diameter pieces of rock wool under the front log, on the lower portion of the burner tube. Place the rock wool the full length of the burner. Do not pack the wool tightly against the burner. This appliance is supplied with one bag of rock wool. It is not necessary to use all the wool. Save the remaining amount for future use. See Figure 19.



**Figure 17**  
**Placing the Lava Rock**



**Figure 18**  
**Placing the Vermiculite**



**Figure 19**  
**Placing the Rock Wool**

## I. LIGHTING INSTRUCTIONS

### WARNING!

If you do not follow these instructions exactly, a fire or explosion may result causing property damage, personal injury or loss of life.

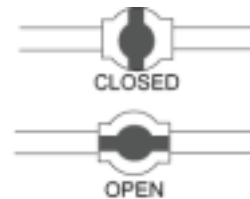
- A. This appliance is equipped with an ignition device which automatically lights the pilot. **Do not** try to light the pilot by hand.
- B. **BEFORE LIGHTING** smell all around the appliance area for gas. Be sure to smell next to the floor because some gas is heavier than air and will settle on the floor.  
**WHAT TO DO IF YOU SMELL GAS:**
  - Do not try to light any appliance.
  - Do not touch any electric switch; do not use any phone in your building.
  - Immediately call your gas supplier from a neighbor's phone. Follow the supplier's instructions.
  - If you cannot reach your gas supplier, call the fire department.
- C. Use only your hand to close the gas line. Never use tools. If the knob will not push in or turn by hand, don't try to repair it; call a qualified service technician. Force or attempted repair may result in a fire or explosion.
- D. Do not use this appliance if any part has been under water. Immediately call a qualified service technician to inspect the appliance and to replace any part of the control system and any gas control which as been under water.

### INTERMITTENT PILOT IGNITION LIGHTING INSTRUCTIONS

1. Turn wall switch to the OFF position.
2. This appliance is equipped with an ignition device which automatically lights the pilot. **Do not** try to light the pilot by hand.
3. Wait five minutes to clear out any gas. If you then smell gas, STOP! Follow "B" in the safety information above on this label. If you do not smell gas, go on to the next step.
4. Turn the wall switch to the ON position.
5. If the appliance will not operate, follow the instructions "TO TURN OFF THE GAS TO THE APPLIANCE" and call your service technician or gas supplier.
6. If using the battery pack and the appliance will not operate, check the batteries for sufficient charge and replace if necessary.

### TO TURN OFF THE GAS TO THE APPLIANCE

1. Turn off the wall switch.
2. Open control access panel. Turn manual shutoff valve to the CLOSED position. Do NOT force.
3. Close control access panel.





## J. SEASONAL CHECKLIST

### WARNING!

Children and adults should be alerted to the hazards of high surface temperatures and should stay away to avoid burns or clothing ignition. Young children should be carefully supervised when they are in the same room as the appliance.

### CAUTION:

Any safety screen or guard removed for servicing an appliance must be replaced prior to operating this appliance.

Clothing or other flammable material should not be placed on or near the appliance.

Installation and repair should be done by a qualified service person. The appliance should be inspected before use and at least annually by a qualified service person. More frequent cleaning may be required due to excessive lint from carpeting, bedding material, etc. It is imperative that control compartments, burners and circulating air passageways of the appliance be kept clean.

Before operating this appliance, have a qualified technician:

1. Review proper placement of logs, rock wool and vermiculite (pages 15 and 21).
2. Check wiring (page 12).
3. Check air shutter adjustment (page 19).
4. Ensure there are no gas leaks (page 10).
5. Ensure the flow of combustion and ventilation air is not obstructed.

### WARNING!

Keep the area near the appliance clear and free from combustible materials, gasoline and other flammable vapors and liquids.

1. **Intermittent Pilot Ignition Operation**
  - a. **Lighting the Appliance During Regular Use**  
Turn the wall switch to “ON”.
  - b. **Shutdown During Regular Use**  
Turn the wall switch to “OFF”.
  - c. **To Shut Down the Appliance for a Long Period of Time**  
Turn all wall switches to “OFF”.  
Turn the gas line to “CLOSED”.
  - d. To relight the appliance, see page 16.
2. **Fuel Conversion Instructions**
  - a. Do not burn wood or other material in this appliance.
  - b. Natural or propane gas conversions necessary to meet the application need to be made by a qualified technician using Hearth & Home Technologies specified and approved parts.
  - c. In the event you must convert your appliance to propane, refer to Section F, #4. Gas Conversions (page 11).

3. **Operating the Outside Air Kit**  
The outside air kit is supplied as an optional feature with this appliance. The outside air kit helps decrease the amount of room air taken by utilizing outside air for combustion. It is strongly recommended that it be installed.  
To operate the outside air kit, before starting the appliance: Grasp the small, black handle located on the left side of the appliance. See Figure 20. Lift the handle and move it to the left. When through burning the appliance, grasp the handle and move it to the right to close the outside air door.

**CAUTION:**  
The air kit handle may get hot while burning the appliance. Use care when operating the handle.

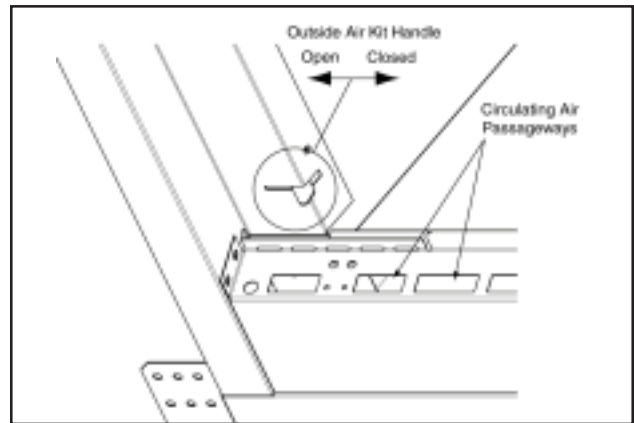


Figure 20 - Operating the Outside Air Kit and Circulating Air Passageway

**WARNING!**  
Do not use this appliance if any part has been under water. Immediately call a qualified service technician to inspect the appliance and to replace any part of the control system and any gas control which has been under water.

## K. START-UP ISSUES

ISSUE	SOLUTIONS
1. Condensation on the glass doors	1. This is a result of gas combustion and temperature variations. As the appliance warms, this condensation should disappear.
2. Blue flames	2. This is a result of normal operation and the flames will begin to yellow as the appliance is allowed to burn.
3. Odor from the appliance	3. When first operated, this appliance may release an odor for the first several hours. This is caused by the curing of the paint and the burning off of any oils remaining from manufacturing.
4. Film on the glass doors	4. This is a normal result of the curing process of the paint and logs. Glass doors should be cleaned within 4-6 hours of initial burning to remove deposits left by oils from the manufacturing process. A non-abrasive cleaner such as Brasso may be necessary.

**WARNING!**  
Never use gasoline, gasoline-type lantern fuel, kerosene, charcoal lighter fluid or similar liquids in this appliance. Keep any flammable liquids a safe distance from the appliance.

## L. MAINTENANCE INSTRUCTIONS

### 1. Cleaning the Burner and Control Compartment

Keep the burner and control compartment clean by brushing and vacuuming at least once a year. Always turn off the wall switch (or remote control) and gas valve before cleaning.

### 2. Checking the Vent System

Inspect the flame of the burner periodically, making sure the flames are steady, not lifting or floating. The flame color should be blue with yellow tips. The sensor tip should be covered with flame. See Figure 21.

If the vent configuration is installed incorrectly, the vent may cause the flames inside the appliance to lift or “ghost”, a dangerous situation. Inspect the flames after installation to ensure proper performance. See Figure 22. If the vent configuration is correct, yet the flames are lifting or ghosting, shut off gas to the appliance and contact a qualified service technician.

#### Air Shutter Adjustment

To reduce the possibility of soot, we have equipped your appliance with an adjustable air shutter. See Figure 23. Your air shutter is provided in the closed position for natural gas and 1/8” open for propane.

**Note:** The look of the flames and embers may differ based on the type of fuel and venting assembly that is required.

### 3. Proper Operation of Optional Glass Doors

While operating your appliance, you should either have the doors completely open or completely closed, but never partially open. See Figure 24.

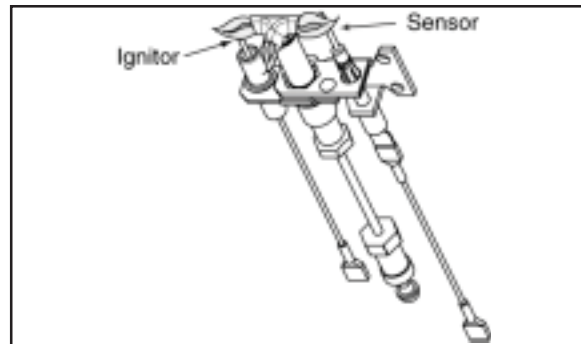


Figure 21 - Intermittent Pilot Ignition Assembly



Figure 22 - Flame Patterns



Figure 23 - Air Shutter

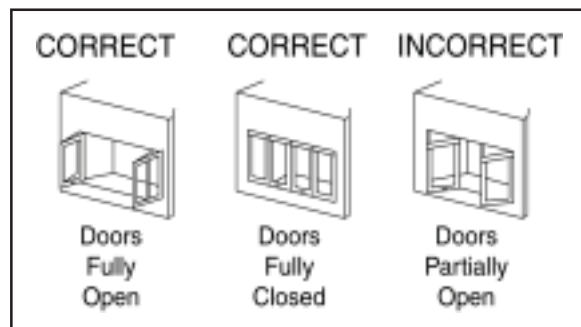


Figure 24 - Correct Operation of Doors

#### 4. High Limit Safety Switch

This appliance is equipped with an auto reset high limit switch which will shut down the appliance if it becomes too hot. If this happens, turn the appliance off and shut off the gas supply. Do not attempt to operate the appliance until it has been examined by a qualified service technician. See Figure 25 for limit switch location.

#### 5. Glass Breakage/Cleaning

It is recommended to wear gloves while handling or removing glass. **DO NOT REMOVE GLASS WHEN IT IS HOT!**

- a. Clean glass after initial 4-6 hours burning time. This is to remove any film that develops from oils and log burn. After initial cleaning, clean as needed.
- b. Handle glass panel with care to avoid striking or scratching it on hard objects.
- c. To clean the glass, use a nonabrasive, mild cleaning solution (i.e. Brasso). Apply an adequate amount to the glass and wipe off per manufacturer's instructions. Contact your local stove shop or fireplace accessories store for further recommendations.
- d. In the event of glass breakage, carefully remove the glass frame. This will allow the removal of all glass fragments and sheet metal edge protection strips. Vacuum all remaining glass pieces with a shop vac. **DO NOT VACUUM IF PIECES ARE HOT!** Replace glass doors only with a Hearth & Home Technologies glass door assembly ordered through your local distributor/dealer. Never use substitute material. Only fully tempered soda lime safety glass may be used on this appliance.

**Note:** When cleaning the glass, NEVER use abrasive materials. NEVER clean glass when it is hot. Keep pets and children a safe distance away.

#### WARNING!

Gas appliances equipped with doors should be operated only with doors fully open or doors fully closed. If doors are left partially open, gas and flame may be drawn out of the firebox opening, creating risks of both fire and spillage.



Figure 25 - Limit Switch Location

## M. LOG REMOVAL/REPLACEMENT

1. Remove the lava rock from the appliance and save.
2. The top log is simply placed and located by indents in the front log.
3. For removal of the front grate/log assembly remove two screws (one per side) from the hearth pan. Pull the grate/log assembly forward. See Figure 26. Pull forward on the assembly to remove it from the appliance and set it aside, being careful not to damage any of the logs. See Figure 27.
4. To remove the back log, remove two screws and carefully lift off. See Figure 28.
5. Reverse the order to reinstall the logs.



**Figure 26**  
Unscrewing the Log/Grate Assembly  
from the Hearth Pan

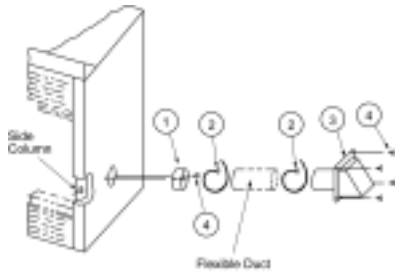


**Figure 27**  
Log Removal

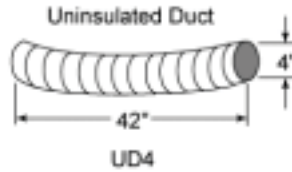
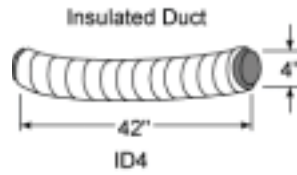


**Figure 28**  
Back Log Removal

## N. OPTIONAL COMPONENTS



AK22 - Air Kit



RC-SMART-HTL  
Remote Control

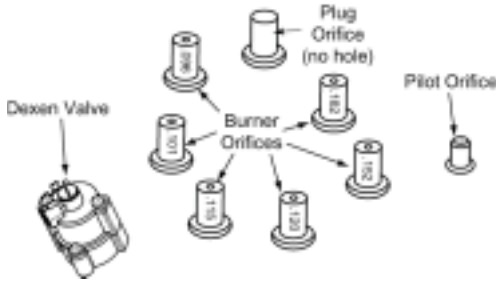
RC-BATT-HTL  
Battery-Operated Remote  
Control

(Standing Pilot)

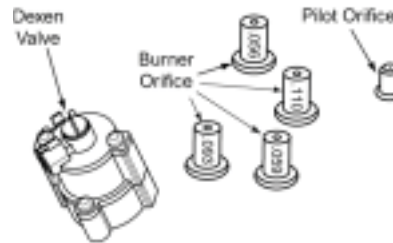
RCT-MLT-HTL  
Multi-Function  
Remote Control

SMART-STAT-HTL  
Remote Control with  
Thermostat Control

SMART-BATT-HTL  
Battery-Operated Remote  
Control  
with Thermostat Control



DCKN Propane to  
Natural Gas  
Conversion Kit

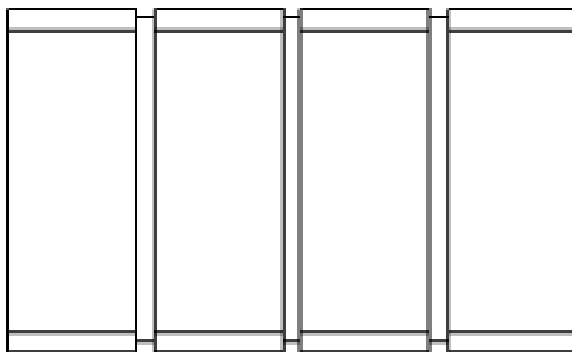


DCKP Natural to  
Propane Gas  
Conversion Kit

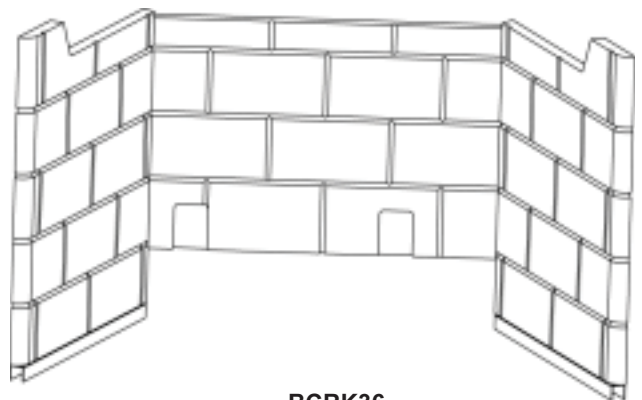


WSK-21  
Wall Switch Kit

WSK-21-W  
Wall Switch Kit (White)



DM1036  
DM1036B  
DM1036S  
Bifold Doors



BCRK36  
Refractory

## HOMEOWNER'S NOTES

---

---

## HOMEOWNER'S NOTES



## HOMEOWNER'S NOTES

## Index

- A**
- Air Kit 22
    - Installation 9
    - Operation 18
  - Air Shutter 19
  - Air Shutter Adjustment 19
  - Appliance Preparation 14
- B**
- Bifold Doors 22
  - BTUs 11
  - Building Codes 4
- C**
- Certification 4
  - Chase Installation 8
  - Checklist 17
  - Cleaning
    - Burner & Control Compartment 19
  - Clearances 4, 5, 6, 7
  - Codes 4
    - Building 4
    - Electric 12
    - Gas 4
  - Combustible Finishing Material 14
  - Combustible Material 6
  - Conversion Kits 11, 22
- E**
- Electric Codes 12
- F**
- Finishing 14
  - Firestop Spacer 8
  - Flame
    - Patterns 19
  - Flames
    - Blue 18
  - Framing 6, 8
  - Fuel Conversion Instructions
    - 11, 18
- G**
- Gas Codes 4
  - Gas Conversions 11, 18
  - Gas Line Connection 10
  - Gas Pressure 11
  - Glass
    - Cleaning 20
    - Condensation 18
    - Film 18
  - Glass Doors 19
- H**
- Heat Shield 13
  - High Altitude Installation 10
  - High Limit Safety Switch 20
  - High Surface Temperatures 17
- I**
- Input Rate 11
  - Inspection 17
  - Insulation 7, 8
  - Intermittent Pilot Ignition 19
    - Operation 18
- J**
- Junction Box 13
- L**
- Lava Rock 15
  - Lighting Instructions 16
  - Location and Clearances 5
  - Log/Grate Assembly 21, 23
  - Logs
    - Removal/Replacement 21
- M**
- Maintenance 19
  - Mantel 14
    - Minimum Heights 6
- N**
- Nailing Flanges 6
  - Natural Gas 18
- O**
- Odor 18
  - Outside Air Kit 22
    - Installation 9
    - Operation 18
- P**
- Propane Gas 18
- R**
- Refractory 22
  - Remote Control 22
  - Rock Wool 15
- S**
- Sealant Material 14
  - Space Requirements 5
  - Start-up Issues 18
- T**
- Termination Installation 8
  - Testing
    - Vent System 9
  - Typical Installation 4
- U**
- Utilities 10
- V**
- Vent Lengths 7
  - Vent System
    - Checking 19
  - Vermiculite 15
  - Vertical Termination 8
- W**
- Water 18
  - Website 23
  - Wiring Diagram 12



## Appliance (Fireplace) Lifetime Warranty

**HEARTH & HOME TECHNOLOGIES INC.** ("HHT") extends the following warranty for Hearth Technologies Inc. gas appliances installed in the United States of America or Canada (the "Appliance"). Dealers and employees of HHT have no authority to make any warranty or authorize any remedies in addition to or inconsistent with the terms of this warranty.

### Limited Lifetime Warranty

HHT warrants the Appliance for component failure due to a manufacturing defect of any of the following components: combustion chamber, burner pan, and logs. The Limited Lifetime Warranty specified above is subject to the conditions, exclusions and limitations listed below, is for the period the Appliance is owned by the original homeowner only, and is nontransferable.

### 1 Year Limited Warranty

HHT warrants the Appliance to be free from failure of any of the following components for a period of one year after installation: valve, flexible gas line connector, glass panel, fan, direct vent chimney components, factory paint, gasket, piezo ignitor, thermopile, thermocouple, junction box, pilot assembly, shutoff valve, high limit switch, refractory liners, transformer, and control box. If the HHT Appliance is found to be defective in either material or workmanship within one year of the date of original installation, HHT will provide replacement parts at no charge and pay reasonable labor and freight costs, and is for the period of one year following the date of original installation of the Appliance.

### Conditions, Exclusions, & Limitations of Liability

- A. Both the Limited Lifetime and 1 Year Limited Warranties supplied by HHT apply only while the Appliance is in its location of original installation. HHT's obligation under this warranty does not extend to damages resulting from (1) installation, operation or maintenance of the Appliance not in accordance with the Installation Instructions, Operating Instructions, and the Listing Agent Identification Label furnished with the Appliance; (2) installation which does not comply with local building codes; (3) shipping, improper handling, improper operation, abuse, misuse, accident or unworkmanlike repairs; (4) environmental conditions, inadequate ventilation or drafting caused by tight sealing construction of the structure, air handling devices such as exhaust fans or forced air furnaces, or other causes; (5) use of fuels other than those specified in the Operating Instructions; (6) installation or use of components not supplied with the Appliance or any other components not expressly authorized and approved by HHT; and/or (7) modification of the Appliance not expressly authorized and approved by HHT in writing. This warranty is limited to only the component parts manufactured or supplied by HHT.
- B. HHT's liability under both the Limited Lifetime Warranty and the 1 Year Limited Warranty is limited to the replacement and repair of defective components or workmanship during the applicable period. HHT may fully discharge all of its obligations under such warranties by repairing the defective component(s) or at HHT's discretion, providing replacement parts at no charge and paying reasonable labor and freight costs.
- C. **EXCEPT TO THE EXTENT PROVIDED BY LAW, HHT MAKES NO EXPRESS WARRANTIES OTHER THAN THE WARRANTY SPECIFIED HEREIN. THE DURATION OF ANY IMPLIED WARRANTY IS LIMITED TO DURATION OF THE WARRANTY SPECIFIED ABOVE.**
- D. Some states do not allow exclusions or limitations of incidental or consequential damages, so those limitations may not apply to you. This warranty gives you specific rights; you may also have other rights which vary from state to state.

### How to Obtain Service

To obtain service under this warranty you must:

1. Send written notice of the claimed condition to the Technical Service Department, Hearth & Home Technologies, 1915 W. Saunders Street, Mt. Pleasant, Iowa 52641-1563. You may also register your claim online at [www.heatilator.com/contact.asp](http://www.heatilator.com/contact.asp).
2. Provide proof of purchase, model number, serial number, and manufacturing date code to HHT.
3. Provide HHT reasonable opportunity to investigate the claim, including reasonable opportunity to inspect the Appliance prior to any repair or replacement work and before the Appliance or any component of the Appliance has been removed from the place of original installation.
4. Obtain HHT's consent to any warranty work before the work is done.

**Additional Information:** If you would like information on current HHT products or want to locate a dealer in your area, call 1-800-843-2848.