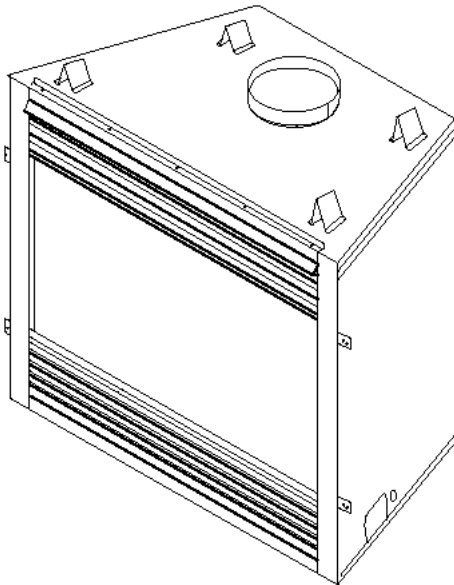


INSTALLATION INSTRUCTIONS

Flip manual over for "Operating and Maintenance Instructions."

CALIBER SERIES B-VENT SERIES DECORATIVE GAS APPLIANCE



36" and 42" Series

U.S. Patent 5,613,487



This appliance has been retired.
Service parts pages within have been removed.
For replacement parts, please refer to the individual
service parts list located on the brand websites.

Consult-

TABLE OF CONTENTS

I. INSTALLATION

A. Preparation.....	3
B. Location and Clearances.....	4
C. Framing.....	5
D. Set The Unit.....	5
E. Venting.....	6
F. Utilities.....	12
G. Finishing.....	14
H. Firebox Preparation.....	14

FOR YOUR SAFETY

What to do if you smell gas:

- Do not try to light any appliance.
- Do not touch any electrical switch.
- Do not use any phone in your building.
- Immediately call your gas supplier from a neighbor's phone. Follow the gas supplier's instructions.
- If you cannot reach your gas supplier, call the fire department.

FOR YOUR SAFETY

Do not store or use gasoline or other flammable vapors and liquids in the vicinity of this or any other appliance.

WARNING

Improper installation, adjustment, alteration, service or maintenance can cause injury or property damage. Refer to this manual. For assistance or additional information, consult a qualified installer, service agency or the gas supplier.

A. PREPARATION

U.S. and Canada Certification

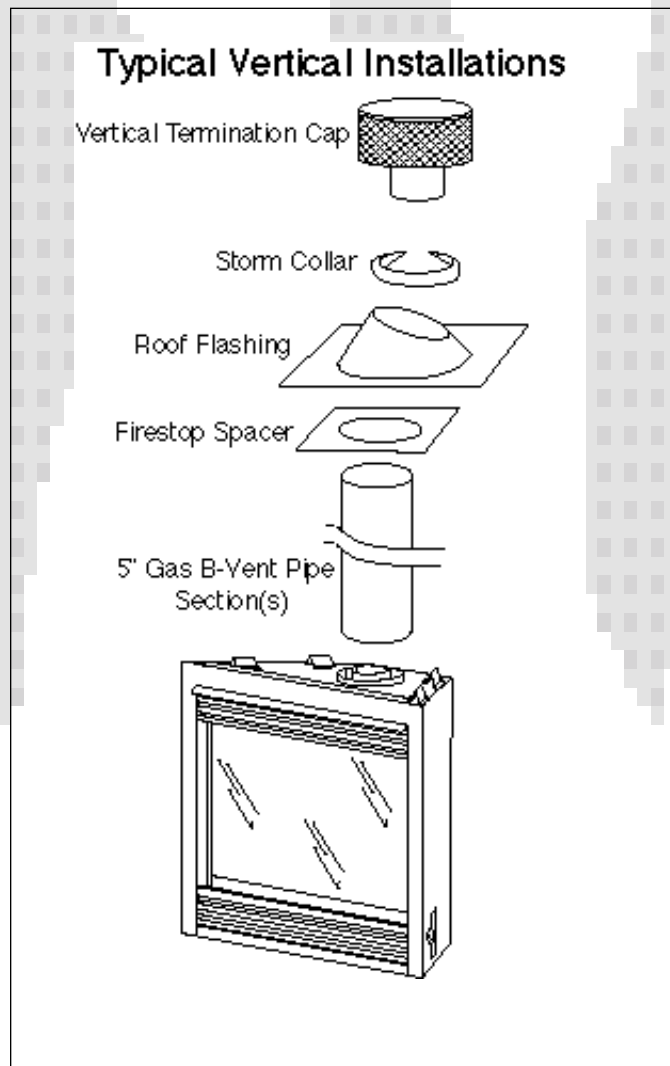
The CALIBER Series Gas Appliance has been tested in accordance with the ANSI standard Z21.50-1996 (Decorative). In Canada, the current CAN/CGA 2.22-M96, IR41, P4, and IR55 and have been LISTED by Underwriters Laboratories Inc. for installation as described in this manual. All components are UL, AGA, CGA or CSA safety certified.

Local Codes

This installation must conform with local codes. In the absence of local codes comply with the National Fuel Gas Code, ANSI Z223.1-latest edition, in the U.S.A. and the CAN/CGA B149, Installation Codes, in Canada.

For assistance during installation contact your local dealer or contact Heatilator Customer Relations Department, 1915 W. Saunders Street, Mt. Pleasant, Iowa 52641.

HEATILATOR® is a registered trademark of Hearth Technologies, Inc., a HON INDUSTRIES company.



Note: Minimum and maximum clearances must be maintained at all times. Illustrations throughout these instructions reflect typical installations and are for design purposes only. Actual installation may vary slightly due to individual design preferences.

The illustrations and diagrams used throughout these installation instructions are not drawn to scale.

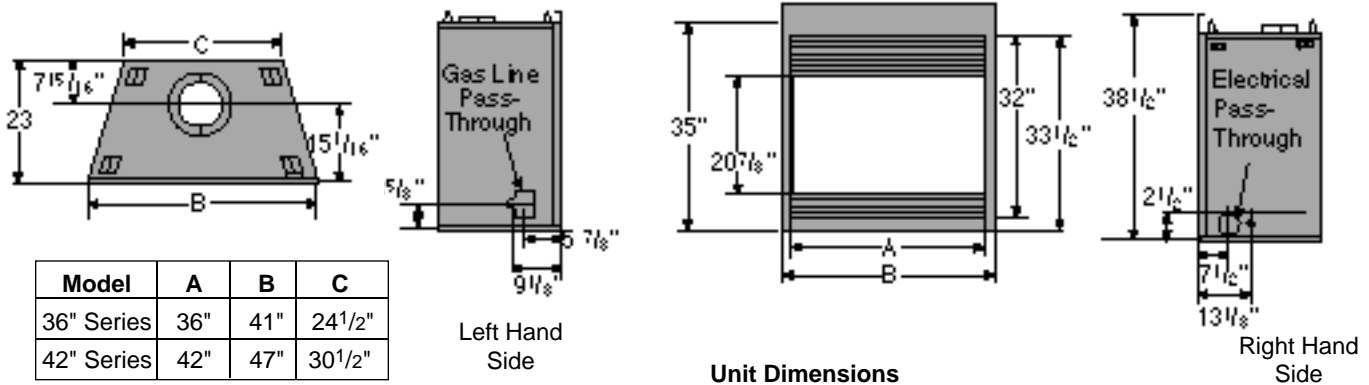
Tools and building supplies normally required for installation:

- | | |
|----------------------|--------------------------|
| Saw | Wall-finishing materials |
| Pliers | Framing material |
| Hammer | Fireplace surround |
| Phillips screwdriver | Caulking material |
| Tape measure | Gloves |
| Plumb line | Square |
| Level | Electrical drills/bits |

CALIBER Nomenclature

Catalog Number	Description
GCBC36LE	Appliance Order Code Number
GC	Gas Caliber
B	B-Vent
C	Circulating
36	36 - 36" Unit
	42 - 42" Unit
LE	No suffix - Standing Pilot, Natural Gas
	L - Standing Pilot, Propane Gas
	E - Electronic Ignition, Natural Gas
	LE - Electronic Ignition, Propane Gas
GCBC36LERF	Appliance Order Code Number with Upgrade Code Number
R	Refractory Upgrade
F	Fan Kit Upgrade
GCBC36LERF	EXAMPLE
	Gas CALIBER, B-Vent, Heat Circulating, 36", Propane Gas, Electronic Ignition unit with Refractory and Fan Kit Upgrades.

B. LOCATION AND CLEARANCES



DUE TO HIGH TEMPERATURES, THE APPLIANCE SHOULD BE LOCATED OUT OF TRAFFIC AND AWAY FROM FURNITURE AND DRAPERIES.

1. APPLIANCE LOCATIONS AND SPACE REQUIREMENTS

Figure 1 illustrates a variety of ways the appliance may be located in a room. The CALIBER Series may be installed directly on the floor or raised on a hearth. These appliances are certified for installation in a bedroom or a bed/sitting room in the U.S. and Canada provided that the bedroom or bathroom have a volume of at least 1500 cubic feet.

Common venting of this gas appliance with other gas appliances is NOT allowed in multi-family dwellings.

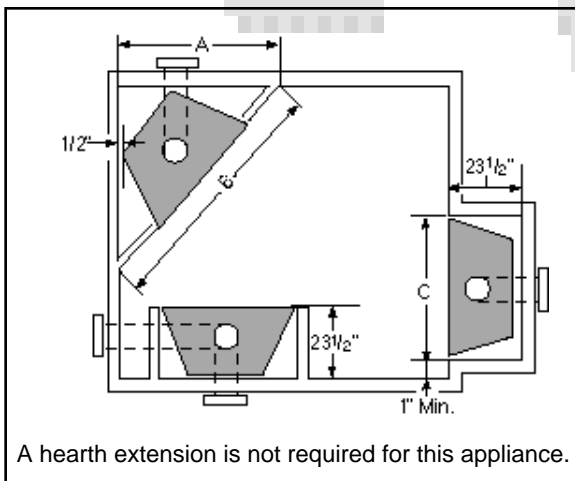


Figure 1
Appliance Locations

Model	A	B	C
36" Series	50 5/8"	71 5/8"	42"
42" Series	55 1/4"	77 5/8"	48"

2. CLEARANCES

Figure 2 shows all clearances that must be maintained around the appliance. See page 9 for termination cap clearances. See Figures 4 and 15 for vent clearances.

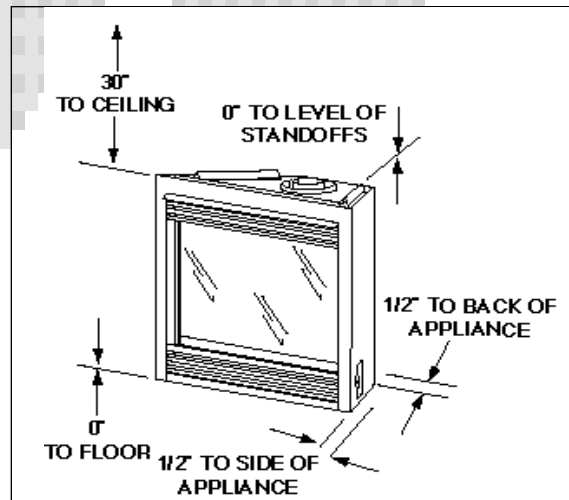

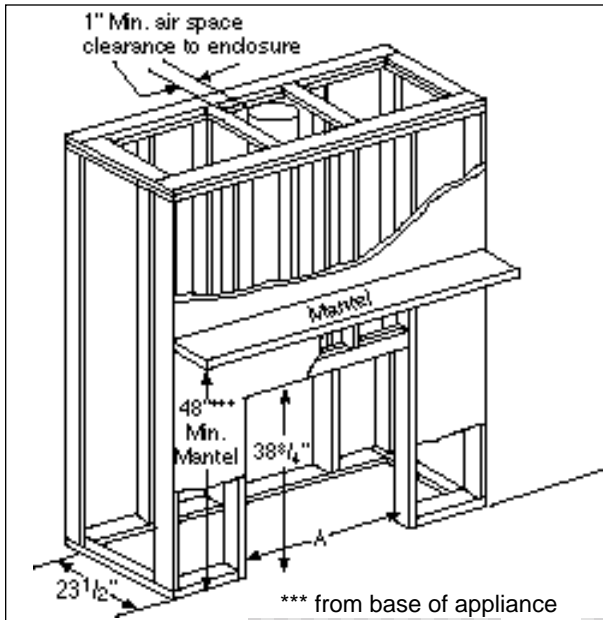


Figure 2
Appliance Clearances to Combustible Materials

C. FRAMING

 Figure 3 shows a typical framing of this appliance using combustible materials. All required clearances to combustibles must be adhered to.



**Figure 3
Framing**

Model	36" Series	42" Series
A	42 ¹ / ₄ "	48 ¹ / ₄ "

CAUTION
WEAR GLOVES AND SAFETY GLASSES
FOR PROTECTION.

CAUTION
PROVIDE ADEQUATE CLEARANCES
AROUND THE AIR OPENINGS INTO THE
COMBUSTION CHAMBER AND ADEQUATE
ACCESSIBILITY CLEARANCES FOR SER-
VICING AND PROPER OPERATION.

D. SETTING THE UNIT

1. Positioning the firebox

This appliance may be placed on a smooth combustible or noncombustible continuous, flat surface. When the appliance is installed directly on carpeting, tile or other combustible material other than wood flooring, the appliance shall be installed on a metal or wood panel extending the full width and depth of the appliance. Slide the unit into position and level the appliance from

side-to-side and front-to-back. Shim with noncombustible material as necessary.

Secure the appliance by bending out the nailing flanges on each side of the appliance and nail to framing. The nailing flanges have been positioned 5/8" back from the front of the unit to allow the addition of drywall.

E. VENTING

NOTE: THIS APPLIANCE REQUIRES A 5 INCH B-VENT FOR OPERATION. NEVER DOWNSIZE PIPE.

a. Clearances. See *Figure 4* for clearance information.

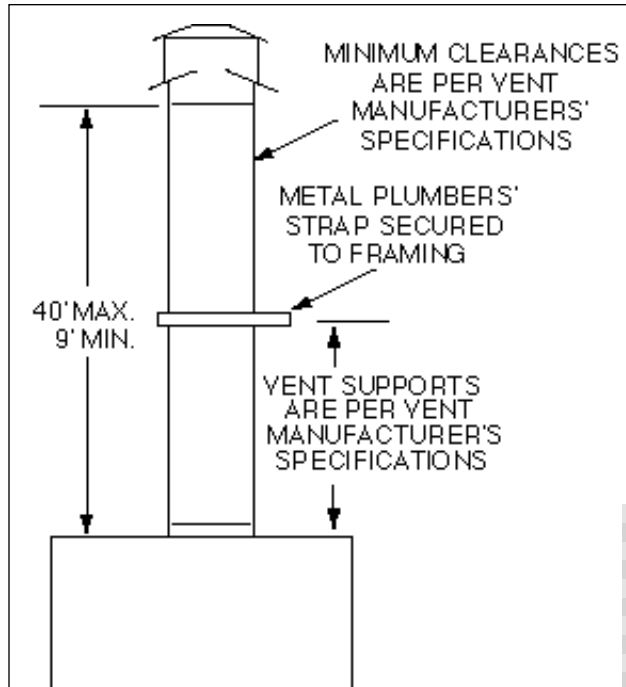


Figure 4
Vertical Termination Clearances

b. Vent Lengths. Various venting configurations are shown in *Figures 5* and *6* from which maximum vent runs can be determined.

WARNING - RISK OF FIRE

ALWAYS MAINTAIN MINIMUM CLEARANCES OR GREATER AROUND THE VENT SYSTEM. DO NOT PACK AIR SPACES WITH INSULATION OR OTHER MATERIAL.

WARNING

THE HORIZONTAL RUN OF VENT MUST HAVE A 1/4" RISE FOR EVERY 1 FT. OF RUN TOWARDS THE TERMINATION. NEVER ALLOW THE VENT TO RUN DOWNWARD. THIS COULD CAUSE HIGH TEMPERATURES AND MAY CREATE A FIRE HAZARD.

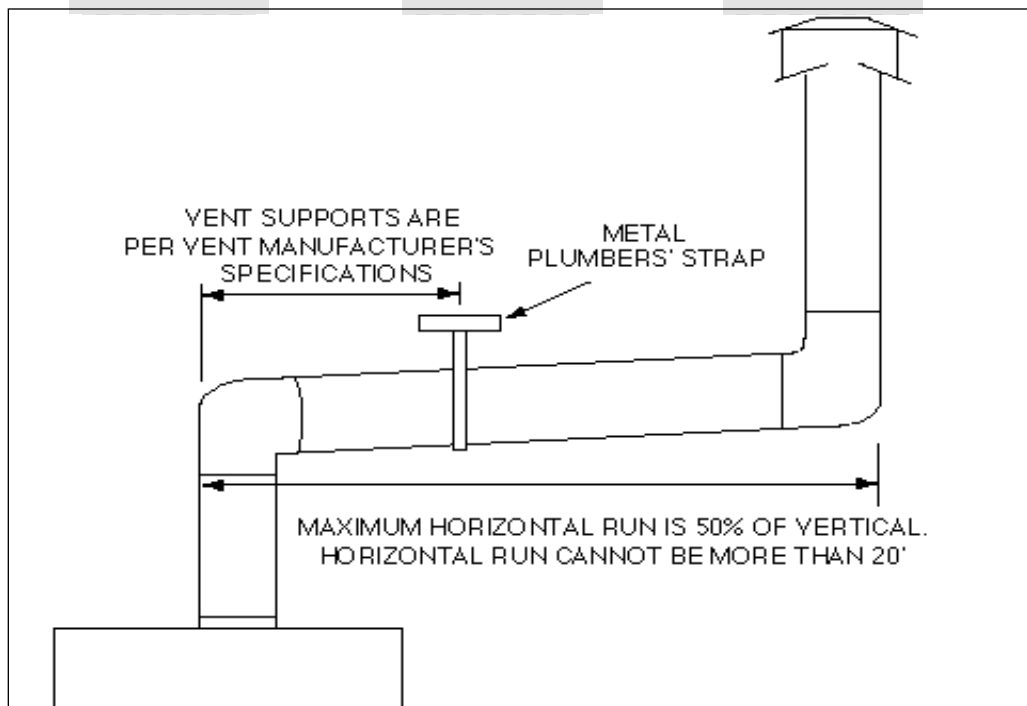


Figure 5
Vertical Termination Vent Lengths

c. Firestop Spacer/Vent Installation.

Frame an opening and install a firestop spacer whenever the vent penetrates a ceiling/floor area, as shown in *Figure 6*. Frame the opening with the same sized lumber as used in the ceiling/floor joists. Unless the flue is offset, the hole should be directly above the appliance. **DO NOT** pack insulation around the vent. Assemble vent sections with three screws per joint.

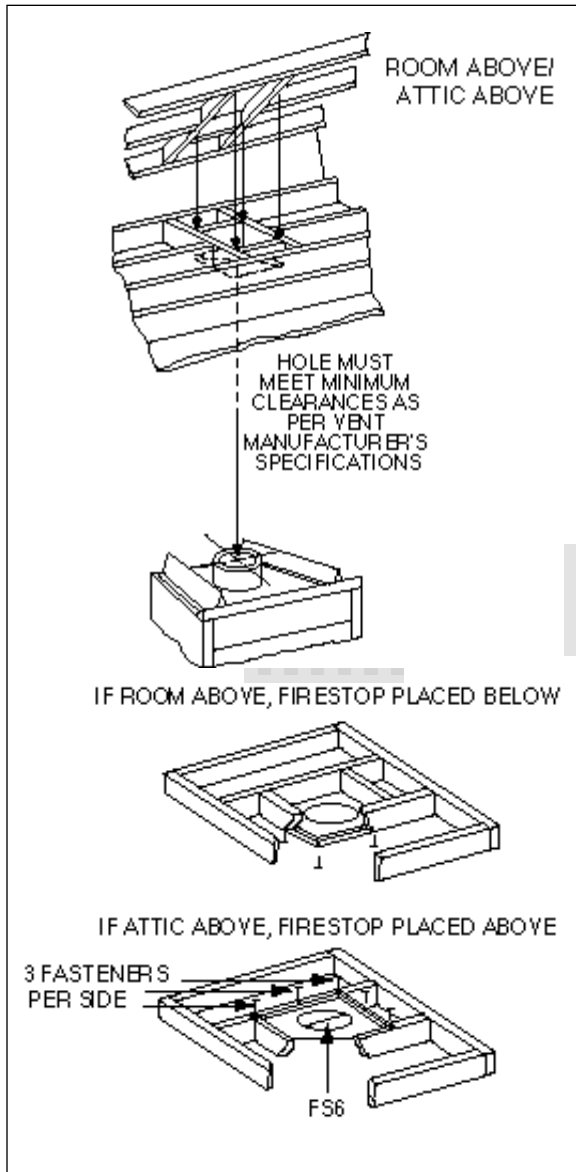


Figure 6
Installing the firestop spacer

d. Chase/Termination Installation. *Figure 7* and *Table 1* specify minimum vent heights for various pitched roofs. Vent sections may have to be cut to a certain length.

These vent heights are necessary for safety and do not ensure draft-free operation. Trees, buildings, adjoining roof lines, adverse conditions, etc., may create a need for a taller vent should down drafting occur.

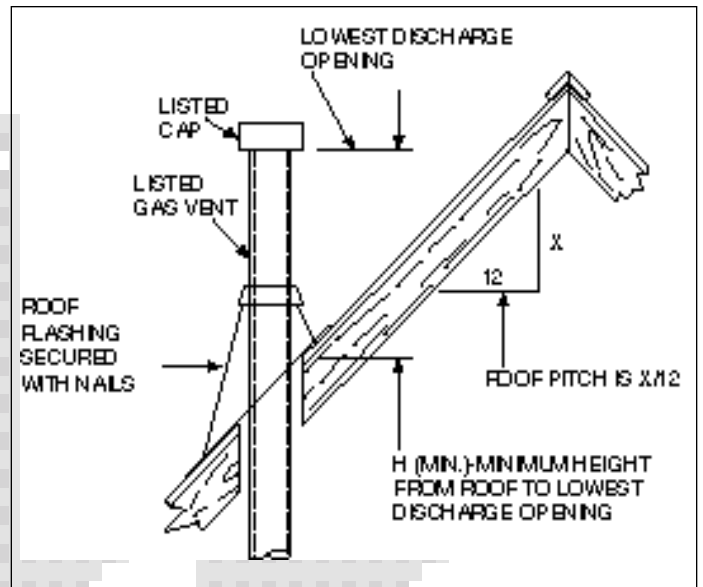


Figure 7
Vent Height for Vertical Termination

Roof Pitch	H (Min.) Ft.
Flat to 6/12	1.0
6/12 to 7/12	1.25
Over 7/12 to 8/12.....	1.5
Over 8/12 to 9/12.....	2.0
Over 9/12 to 10/12.....	2.5
Over 10/12 to 11/12.....	3.25
Over 11/12 to 12/12.....	4.0
Over 12/12 to 14/12.....	5.0
Over 14/12 to 16/12.....	6.0
Over 16/12 to 18/12.....	7.0
Over 18/12 to 20/12.....	7.5
Over 20/12 to 21/12.....	8.0

Table 1
Vent Height

Note: To ensure proper operation, verify all venting and the termination is unobstructed.

e. Check Venting System. Check the venting system to assure proper operation. This can be done with a match while the unit is operating.

Hold a lighted match at the bottom edge of the drafthood opening. If the flames and smoke remain upright, ventilation is acceptable. If the flames and smoke are drawn into the drafthood, this means ventilation is good. If the flames and smoke are forced away from the drafthood, this may indicate a ventilation blockage or down draft resulting in gas spillage into the home. If this occurs, turn off the fireplace and do not burn it until it has been inspected by a qualified service person. See *Figure 8*.

f. Outside Air Kit Installation. An outside air kit is available as an optional feature with this fireplace. An outside air kit helps to decrease the amount of room air taken, by utilizing outside air for combustion. It is strongly recommended that it be installed.

The outside air kit can only be installed on the left side.

To install the outside air kit, refer to the installation instructions provided with the kit.

Note: The outside air kit can terminate at any level with the exception that it must terminate at least one foot below the vent terminal cap.

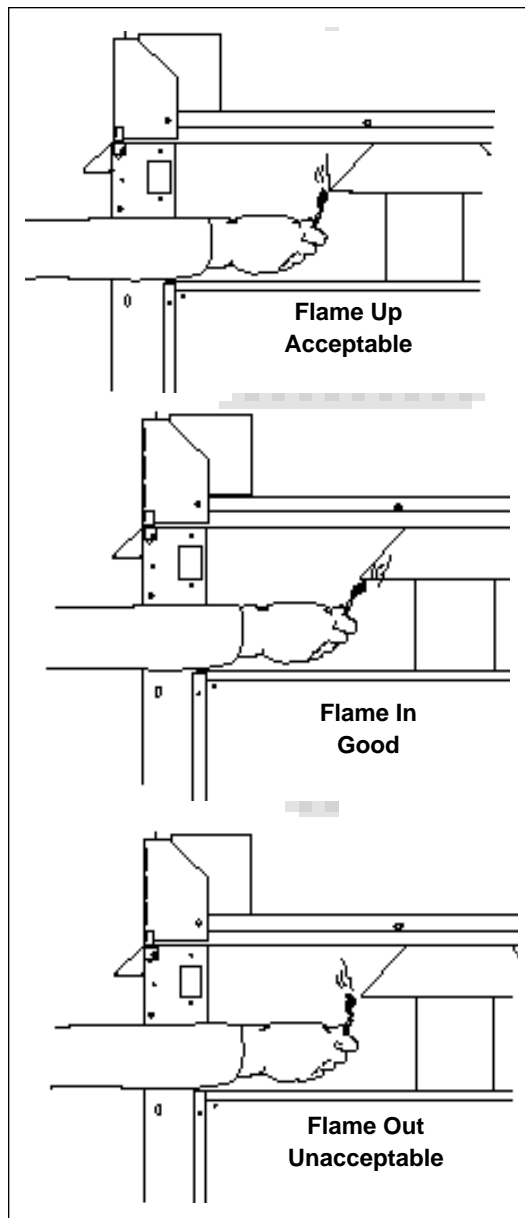
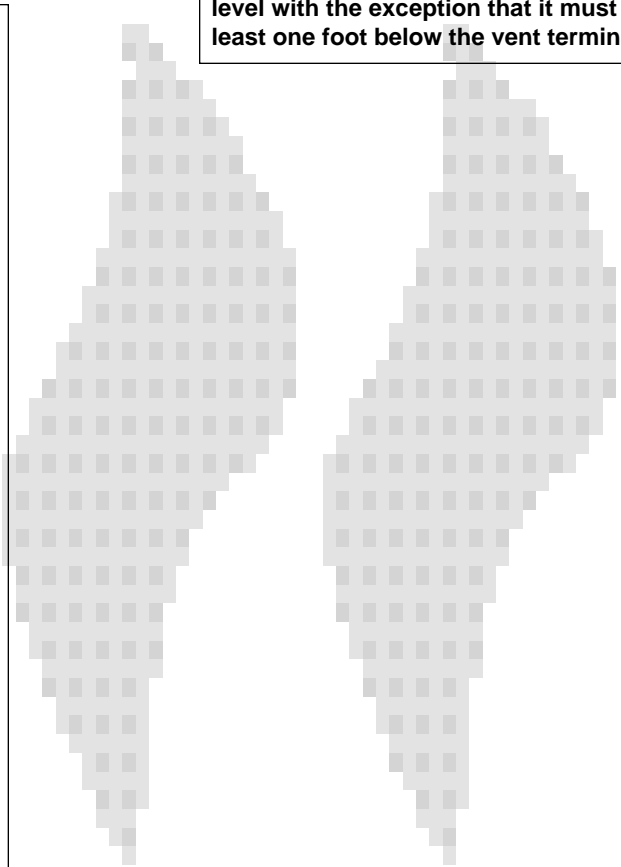


Figure 8
Testing Ventilation



F. UTILITIES



1. High Altitude Installation

For U.S. installation, units are tested and approved for elevations from 0-2000 feet. When installing this unit at an elevation above 2000 feet, National Fuel Gas Codes require a decrease of the input rating by changing the existing burner orifice to a smaller size. Input should be reduced 4% for each 1000 feet above sea level. Check with the local gas utility for proper orifice size identification. The correct orifice is available from your Heatilator distributor.

For Canada, units are certified for elevations from 0-4500 feet. When installing this unit at an elevation between 0-4500 feet in Canada, the input rating does not need to be reduced. When installing this unit at an elevation above 4500 feet in Canada, check with local authorities.

2. Gas Line Connection

Remove the lower grille panel as shown in *Figures 9* and *10*. See *Figure 11* to connect gas line. All connections must be checked for leaks with a soap and water solution or a leak detector. Bleed the gas line to extract any air that may have been trapped inside the pipe.



Figure 9
Lower Grille Panel Removal



Figure 10
Lower Grille Panel Removal

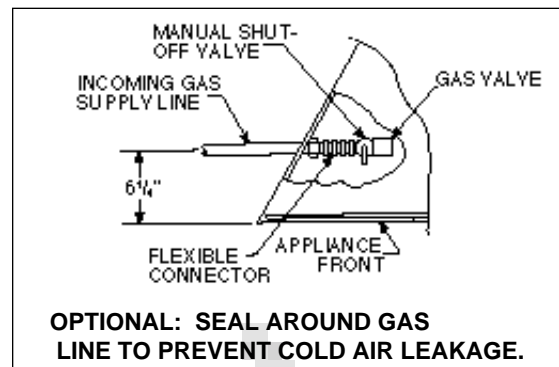


Figure 11
Gas Line

Note: The appliance and its individual shutoff valve must be disconnected from the gas supply piping system during any pressure testing of that system at test pressures in excess of 1/2 psi (3.5 kPa). The appliance must be isolated from the gas supply piping system by closing its individual manual shutoff valve during any pressure testing of the gas supply piping system at test pressures equal to or less than 1/2 psi (3.5 kPa).

3. Gas Pressure

On the standing pilot Gas Control Valve, a pressure tap is included on the front face of the Valve. The electronic Valve includes an 1/8" NPT plugged tap on the top and bottom of the Valve near the outlet to the main burner. Pressure taps are immediately upstream of the gas supply connection and accessible for test gauge connection.

Table 2 shows optimum gas pressure information.

Consult your local gas company for assistance in determining the proper orifice for your altitude or refer to ANSI Z223.1-latest edition, Appendix F.

4. Gas Conversions

Natural or propane gas conversions necessary to meet the application need to be made by a qualified technician using Heatilator specified and approved parts.

In the event your appliance must be converted to use propane, you must use a CKVP Conversion Kit. To convert to use natural, you must use a CKVN Conversion Kit.

CALIBER 36" and 42"	
Inlet gas supply pressure (natural gas)	4.5 (min.)-7.0 (max.) in w.c.
Optimum manifold pressure (natural gas)	3.5 in. w.c.
Inlet gas supply pressure (LP gas)	11.0 (min.)-14.0 (max.) in w.c.
Optimum manifold pressure (LP gas)	10.5 in. w.c.
Input rate (natural gas)	30,000 BTU/hr
Input rate (propane gas)	28,000 BTU/hr
Decorative - Natural Gas Orifice size	.110 in/ 2.79 mm
Decorative - Propane Gas Orifice Size	.063 in/ 1.60 mm

Table 2
Gas Information for Electronic and Standing Pilot Units

STEP 8 - Wiring



A. ELECTRONIC IGNITION

1. Appliance Requirements. This appliance requires a 110VAC supply from a wall switch to the appliance junction box for operation. A wiring diagram is shown in *Figure 12*.

2. Optional Accessories Requirements. Wiring for optional accessories should be done now to avoid reconstruction.

Note: This appliance must be electrically wired and grounded in accordance with local codes or, in the absence of local codes, with National Electric Code ANSI/NFPA 70-latest edition or the Canadian Electric Code, CSA C22.1.

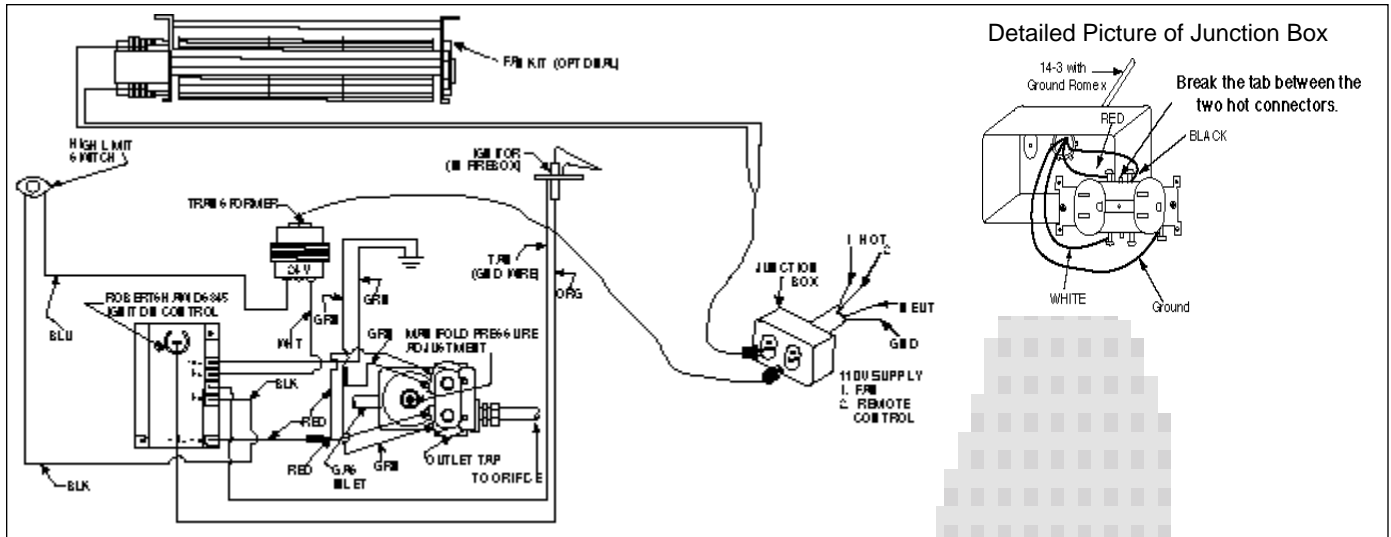


Figure 12
Electronic Ignition Wiring Diagram

B. STANDING PILOT IGNITION

1. Appliance requirements. A wiring diagram is shown in *Figure 13*.

2. Optional Accessories Requirements. Wiring for optional accessories should be done now to avoid reconstruction.

Warning: This appliance DOES NOT require a 110VAC supply for operation. Connecting the appliance/wall switch to a 110V AC supply will cause the unit to malfunction and destroy the valve and thermopile.

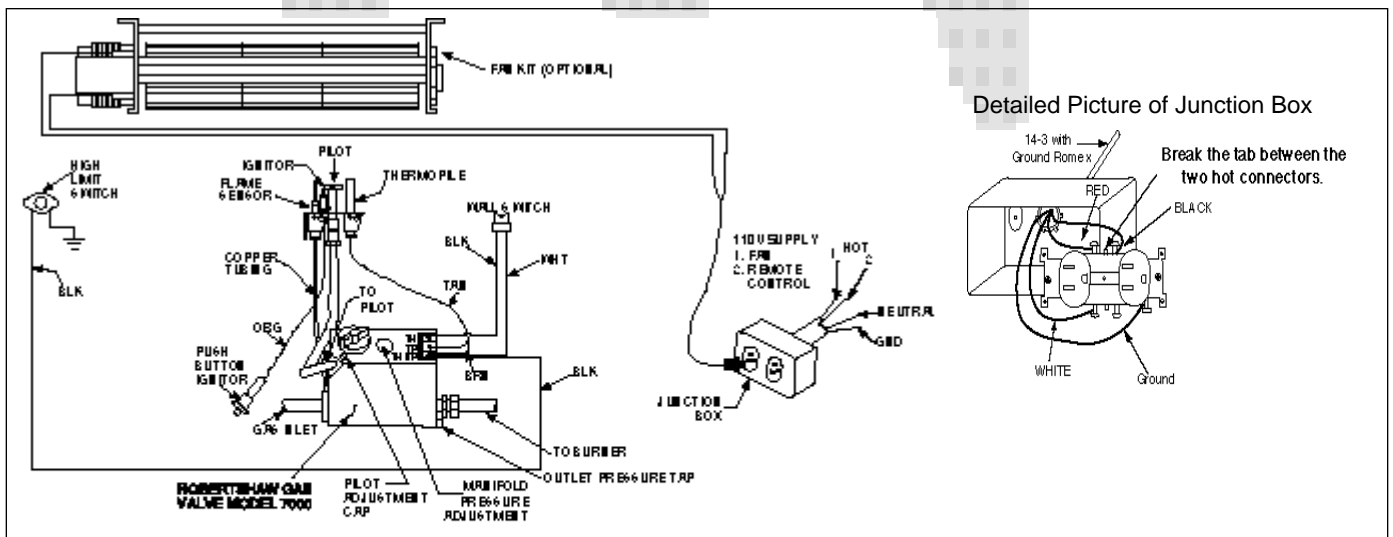


Figure 13
Standing Pilot Wiring Diagram

G. FINISHING

Combustible Finishing Material. Material made of or surfaced with wood, compressed paper, plant fibers, plastics, or any material capable of igniting and burning, whether flame proofed or not, plastered or unplastered (this includes drywall).

Noncombustible Finishing Material. Material which will not ignite and burn. Such materials are those consisting entirely of steel, iron, brick, tile, concrete, slate, glass or plasters, or combination thereof, or have a UL Fire rating of Zero (0).

High Temperature Sealant Material. Sealants that will withstand high temperatures; General Electric RTV103 (Black), or equivalent. Rutland, Inc. Appliance Mortar #63, or equivalent.

A high temperature sealant, 1/8" inch wide minimum, must be used to close off gaps between the appliance and facing to prevent cold air leaks. See *Figure 14*.

A combustible mantel may be installed at a minimum of 48 inches above the base of the appliance.

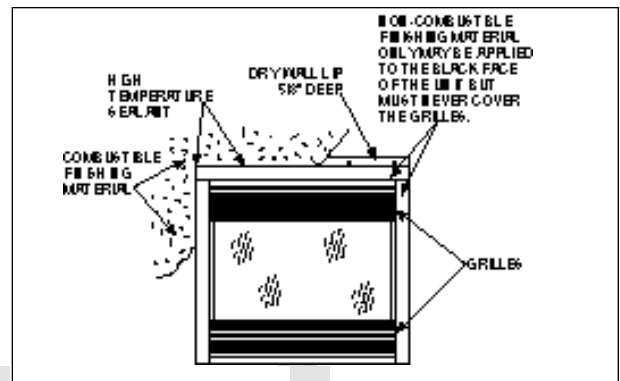


Figure 14
Finishing Materials

WARNING
GRILLES ON THIS APPLIANCE CANNOT, IN ANY WAY, BE COVERED AS IT MAY CREATE A FIRE HAZARD.

H. FIREBOX PREPARATION

1. Upper Panel Removal

Lift upward on the upper panel and pull out.

2. Attaching the Hood

Hood must be attached or a fire hazard may result. The hood is to be located above the upper grille panel. Locate the four screws just inside the upper section of the fireplace. Loosen these screws, position the hood and tighten the screws. See *Figure 15*.

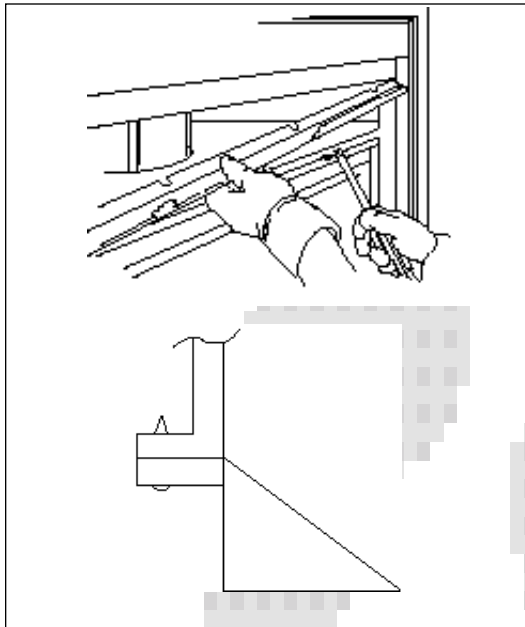


Figure 15
Hood Placement

3. Glass and Screen Removal

See page 7 of the "Operating and Maintenance Instructions."

4. Firebox Preparation

Remove the straps from the screws on the hearth pan. Remove the foam material. The log set should look similar to that in *Figure 16*.



Figure 16
Log Set for 36" CALIBER
(Shown with optional refractory)

5. Placing the Vermiculite and Lava Rock

See Figure 17.

6. Placing the Rock Wool

Place a small amount of 1/2" diameter pieces (dime-size) of rock wool on the burner pan so that the rock wool touches but does not cover the holes in the burner pan. This will provide the "glowing embers" look. See Figure 17.

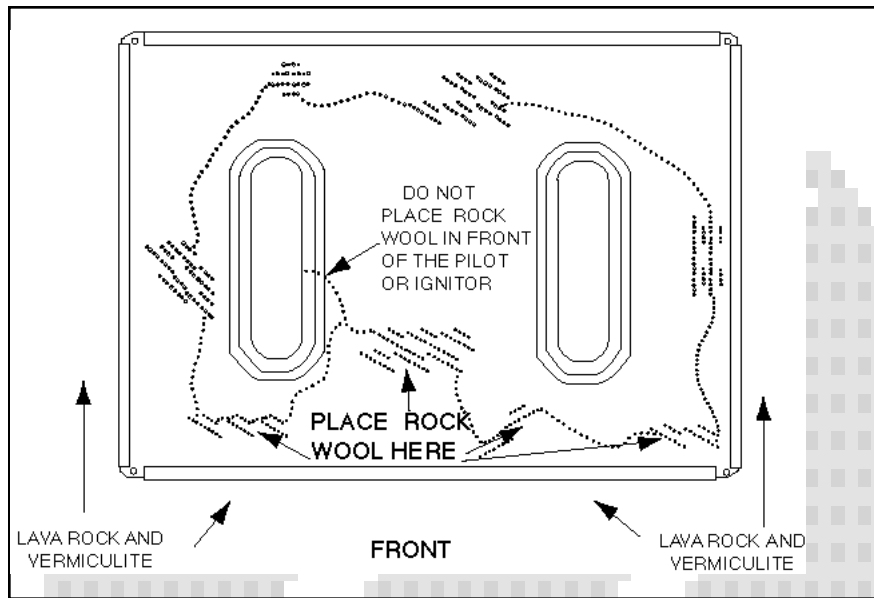


Figure 17
Placing the Vermiculite and Lava Rock -
top log removed for clarity

7. Glass and Screen Replacement

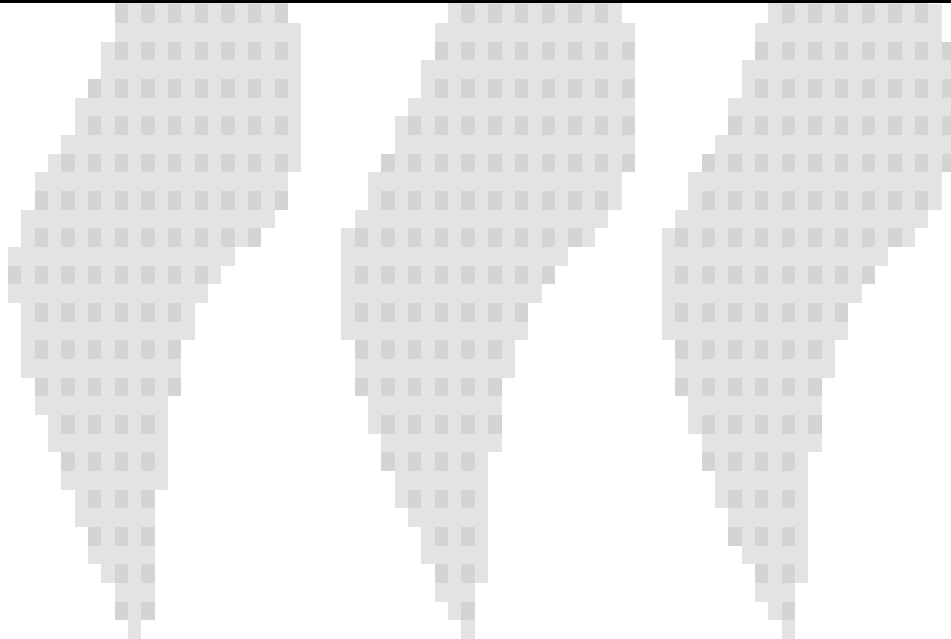
See page 7 of the "Operating and Maintenance Instructions."

WARNING - RISK OF CARBON MONOXIDE
NEVER OPERATE THIS APPLIANCE WITH
THE GLASS REMOVED OR NOT SEALED.

WARNING - RISK OF CARBON MONOXIDE
DO NOT HIT OR STRIKE GLASS. DO NOT
OPERATE THIS APPLIANCE IF THE GLASS
IS BROKEN OR CRACKED.

INSTALLATION IS NOW COMPLETE.

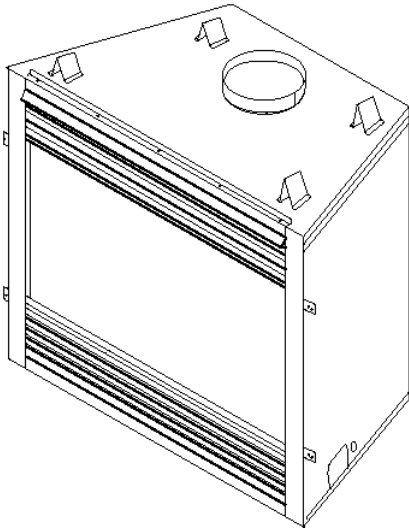
**FLIP MANUAL OVER FOR OPERATING AND
MAINTENANCE INSTRUCTIONS.**



OPERATION INSTRUCTIONS

Flip manual over for "Installation Instructions."

CALIBER SERIES B-VENT SERIES DECORATIVE GAS APPLIANCE



36" and 42" Series

U.S. Patent 5,613,487



Read these installation instructions completely before beginning installation. Failure to follow them could cause an appliance malfunction resulting in serious injury and/or property damage.

TABLE OF CONTENTS

II. OPERATION

A. Lighting Instructions for Electronic.....	2
B. Lighting Instructions for Standing Pilot.....	3
C. Seasonal Checklist.....	4
D. Start-Up Issues.....	5

III. MAINTENANCE

E. Maintenance Instructions.....	6
F. Cleaning the Glass.....	7
G. Optional Components.....	8
H. Replacement Parts.....	9

FOR YOUR SAFETY

What to do if you smell gas:

- Do not try to light any appliance.
- Do not touch any electrical switch.
- Do not use any phone in your building.
- Immediately call your gas supplier from a neighbor's phone. Follow the gas supplier's instructions.
- If you cannot reach your gas supplier, call the fire department.

FOR YOUR SAFETY

Do not store or use gasoline or other flammable vapors and liquids in the vicinity of this or any other appliance.

WARNING

Improper installation, adjustment, alteration, service or maintenance can cause injury or property damage. Refer to this manual. For assistance or additional information, consult a qualified installer, service agency or the gas supplier.

A. LIGHTING INSTRUCTIONS FOR ELECTRONIC

Determine the Ignition

To determine whether your appliance is an electronic ignition or a standing pilot ignition, remove the lower panel to examine the wiring system. If your system has a red ignitor button (as shown in *Figure 1*), you own a standing pilot ignition fireplace. If no red ignitor button is present, you own an electronic ignition appliance.

You may also check the rating label located on the inside of the lower panel to determine ignition type.

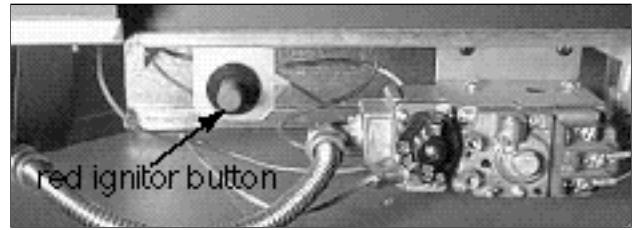


Figure 1
Standing Pilot Ignition

ELECTRONIC UNITS

FOR YOUR SAFETY READ BEFORE OPERATING

WARNING: If you do not follow these instructions exactly, a fire or explosion may result causing property damage, personal injury or loss of life.

A. This appliance does not have a pilot. It is equipped with an ignition device which automatically lights the burner. Do not try to light the burner by hand.

B. BEFORE OPERATING smell all around the appliance area for gas. Be sure to smell next to the floor because some gas is heavier than air and will settle on the floor.

WHAT TO DO IF YOU SMELL GAS

- Do not try to light any appliance.
- Do not touch any electric switch; do not use any phone in your building.
- Immediately call your gas supplier from a neighbor's phone. Follow the supplier's instructions.
- If you can not reach your gas supplier, call the fire department.

C. Use only your hand to push in and move the gas control lever or turn the gas control knob. Never use tools. If the lever or knob will not move by hand, don't try to repair it - call a qualified service technician. Force or attempted repair may result in a fire or explosion.

D. Do not use this appliance if any part has been under water. Immediately call a qualified service technician to inspect the appliance and to replace any part of the control system and any gas control which has been under

LIGHTING INSTRUCTIONS

1. STOP! Read the safety information above on this label.
2. Turn wall switch to the "OFF" position.
3. This appliance is equipped with an ignition device which automatically lights the burner. Do not try to light burner by hand.
4. Wait five (5) minutes to clear out any gas. If you then smell gas, STOP! Follow "B" in the safety information above on this label. If you don't smell gas, go on to the next step.
5. To turn on burner, turn on all electric power to this appliance.
6. If the appliance will not operate, follow the instructions "TO TURN OFF GAS TO APPLIANCE" and call your service technician or gas supplier.

TO TURN OFF GAS TO APPLIANCE

1. Turn off the wall switch.
2. Push gas control lever in and move to the "OFF" position or push gas control lever to the "OFF" position. Do not force.
3. Replace control access panel.

B. LIGHTING INSTRUCTIONS FOR STANDING PILOT

STANDING PILOT FOR YOUR SAFETY READ BEFORE LIGHTING

WARNING: If you do not follow these instructions exactly, a fire or explosion may result causing property damage, personal injury or loss of life.

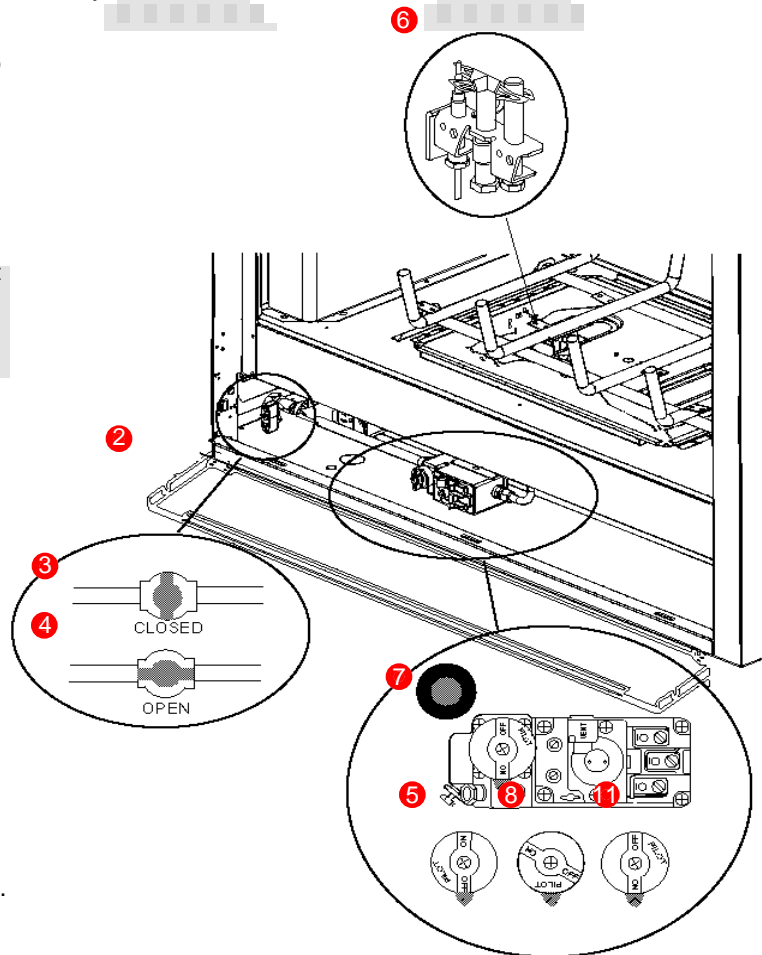
- A. This appliance has a pilot which must be lighted by hand. When lighting the pilot, follow these instructions exactly.
- B. BEFORE LIGHTING smell all around the appliance area for gas. Be sure to smell next to the floor because some gas is heavier than air and will settle on the floor.
- WHAT TO DO IF YOU SMELL GAS
- Do not try to light any appliance.
 - Do not touch any electric switch; do not use any phone in your building.
 - Immediately call your gas supplier from a neighbor's phone. Follow the supplier's instructions.
 - If you cannot reach your gas supplier, call the fire department.
- C. Use only your hand to push in or turn knob. Never use tools. If the knob will not push in or turn by hand, don't try to repair it; call a qualified service technician. Forced or attempted repair may result in a fire or explosion.
- D. Do not use this appliance if any part has been under water. Immediately call a qualified service technician to inspect the appliance and to replace any part of the control system and any gas control which has been under water.

LIGHTING INSTRUCTIONS

STOP! Read the safety information above on this label!

- 2 1. Turn off all wall switches to the appliance.
- 2 2. Lower control access panel. Turn wall switch to the "OFF" position or set thermostat to lowest setting.
- 3 3. Turn gas line to CLOSED. Wait 5 minutes to clear out any gas. Then smell for gas, including near the floor. If you smell gas, STOP! Follow "B" in the safety information above on this label. If you don't smell gas, go to the next step.
- 4 4. Turn gas line to OPEN.
- 5 5. Turn pilot knob clockwise to "OFF". (Knob may have to be depressed to pass "PILOT" position.)
- 6 6. Locate pilot assembly inside unit.
- 7 7. Locate red ignitor button.
- 8 8. Turn pilot knob to "PILOT" and push in.
- 9 9. Continue to hold in pilot knob and push the red ignitor button 12-15 times until small blue pilot flame appears.
- 10 10. Continue to hold in pilot knob for approximately one minute. Pilot should remain lit. If pilot goes out, wait 5 minutes and repeat Steps 4-9.
- 11 11. Release and turn knob counterclockwise to "ON".
- 12 12. If the appliance will not operate, follow the instructions "To Turn Off Gas To Appliance" and call your service technician or gas supplier.

NOTE: To light main burner, turn wall switch to "ON". Do not light by hand.



TO TURN OFF GAS TO APPLIANCE

1. Turn off the wall switch or set thermostat to the lowest setting.
2. Lower control access panel.
3. Turn gas line to CLOSED position. Do not force.
4. Close control access panel.

C. SEASONAL CHECK LIST

WARNING

CHILDREN AND ADULTS SHOULD BE ALERTED TO THE HAZARDS OF HIGH SURFACE TEMPERATURES AND SHOULD STAY AWAY TO AVOID BURNS OR CLOTHING IGNITION. YOUNG CHILDREN SHOULD BE CAREFULLY SUPERVISED WHEN THEY ARE IN THE SAME ROOM AS THE APPLIANCE.

CAUTION

ANY SAFETY SCREEN OR GUARD REMOVED FOR SERVICING AN APPLIANCE MUST BE REPLACED PRIOR TO OPERATING THIS APPLIANCE. CLOTHING OR OTHER FLAMMABLE MATERIAL SHOULD NOT BE PLACED ON OR NEAR THE APPLIANCE.

INSTALLATION AND REPAIR SHOULD BE DONE BY A QUALIFIED SERVICE PERSON. THE APPLIANCE SHOULD BE INSPECTED BEFORE USE AND AT LEAST ANNUALLY BY A QUALIFIED SERVICE PERSON. MORE FREQUENT CLEANING MAY BE REQUIRED DUE TO EXCESSIVE LINT FROM CARPETING, BEDDING MATERIAL, ETC. IT IS IMPERATIVE THAT CONTROL COMPARTMENTS, BURNERS AND CIRCULATING AIR PASSAGEWAYS OF THE APPLIANCE BE KEPT CLEAN.

Before operating this appliance, have a qualified technician:

1. Review proper placement of logs, rock wool and vermiculite.
2. Check wiring.
3. Ensure there are no gas leaks.
4. Ensure the glass is sealed and in proper position.
5. Ensure the flow of combustion and ventilation air is not obstructed.

WARNING

KEEP THE AREA NEAR THE APPLIANCE CLEAR AND FREE FROM COMBUSTIBLE MATERIALS, GASOLINE AND OTHER FLAMMABLE VAPORS AND LIQUIDS.

OPERATING THE OUTSIDE AIR KIT

The Outside Air Kit is supplied as an optional feature with this fireplace. The outside air kit helps to decrease the amount of room air taken, by utilizing outside air for combustion. It is strongly recommended that it be installed.

To operate the outside air kit, before starting the fireplace, open the valve area of the fireplace by rotating down the bottom grille or panel. Grasp the small, black handle located on the left side of the fireplace, just below the glass channel. See *Figure 2*. Lift the handle out of its slot and pull towards the front. The outside air door should open. Replace the handle back in the slot on the bracket from which it was removed (so the outside air door remains open) and close the lower grille or panel. When through burning the fireplace, lower the panel, grasp the handle and push the outside air door closed.

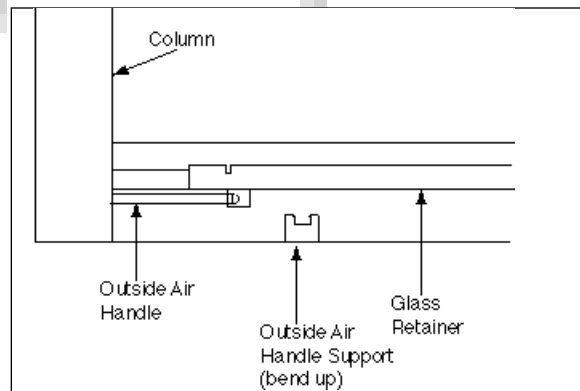


Figure 2
Operating the Outside Air Kit

D. START-UP ISSUES

A. STANDING PILOT OPERATION

Heatilator recommends you leave the pilot on year round.

If you decide to shut down the appliance for a long period of time:

1. Turn all wall switches to OFF.
2. Turn pilot knob on valve to OFF.
3. Turn the gas line to CLOSED.

Lighting the Fireplace During Regular Use. Turn the wall switch to ON.

Shutdown During Regular Use. Turn the wall switch to OFF.

B. ELECTRONIC IGNITION OPERATION

To shut down the appliance for a long period of time:

1. Turn all wall switches to OFF.
2. Turn the gas line to CLOSED.

Lighting the Fireplace During Regular Use. Turn the wall switch to ON.

Shutdown During Regular Use. Turn the wall switch to OFF.

C. FUEL

Do not burn wood or other material in this appliance.

Natural or propane gas conversions necessary to meet the application need to be made by a qualified technician using Heatilator specified and approved parts.

In the event your appliance must be converted to use propane, you must use a CKVP Conversion Kit. To convert to use natural, you must use a CKVN Conversion Kit.

WARNING
DO NOT USE THIS APPLIANCE IF ANY PART HAS BEEN UNDER WATER. IMMEDIATELY CALL A QUALIFIED SERVICE TECHNICIAN TO INSPECT THE APPLIANCE AND TO REPLACE ANY PART OF THE CONTROL SYSTEM AND ANY GAS CONTROL WHICH HAS BEEN UNDER WATER.

START-UP ISSUES

Issue	Why....Possible Solutions
1. Condensation on glass	1. This is a result of gas combustion and temperature variations. As the unit warms, this condensation should disappear.
2. Blue flames	2. This is a result of normal operation and the flames will begin to yellow as the unit is allowed to burn.
3. Odor from unit	3. When first operated, this unit may release an odor for the first several hours. This is caused by the curing of the paint and the burning off of any oils remaining from manufacturing.
4. Film on the glass	4. This is a normal result of the curing process of the paint and logs. Glass should be cleaned within 4-6 hours of initial burning to remove deposits left by oils from the manufacturing process. A nonabrasive cleaner, such as Brasso® may be necessary.

WARNING
NEVER USE GASOLINE , GASOLINE-TYPE LANTERN FUEL, KEROSENE, CHARCOAL LIGHTER FLUID OR SIMILAR LIQUIDS IN THIS APPLIANCE. KEEP ANY FLAMMABLE LIQUIDS A SAFE DISTANCE FROM THE APPLIANCE.

E. MAINTENANCE INSTRUCTIONS

Cleaning the burner and control compartment

Keep the burner and control compartment clean by brushing and vacuuming at least once a year. Failure to do so may shorten the fan's life (where applicable). Always turn off the wall switch (or remote control) and gas valve before cleaning.

Checking the Vent System

Periodically the venting system should be tested to assure proper operation. Remove the hood (see Step 1, page 10 of the Installer Section of this Manual). Proceed with the directions on page 7 of the Installer Section of this Manual.

Checking flame patterns

Visually check the flame of the burner periodically, making sure the flames are steady, not lifting or floating. The flame color should be blue with yellow tips. See *Figure 6*. The ignitor (electronic) or thermopile and thermo couple (standing pilot) tips should be covered with flame. See *Figures 3* through *5*.

If the vent configuration is installed incorrectly, the vent may cause the flames inside the appliance to lift or "ghost" - a dangerous situation. Inspect the flames after installation to ensure proper performance. See *Figure 6*. If the vent configuration is correct, yet the flames are lifting or ghosting, shut off gas to the appliance and contact the dealer.

NOTE: The look of the flames and embers may differ based on the type of fuel and venting assembly that is used.

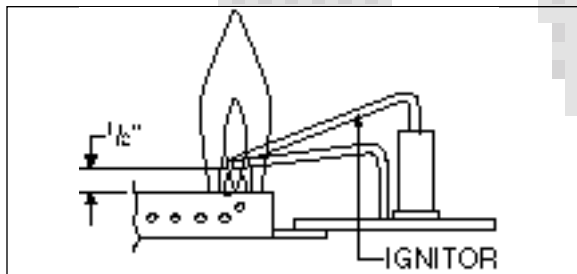


Figure 3
Electronic Ignition

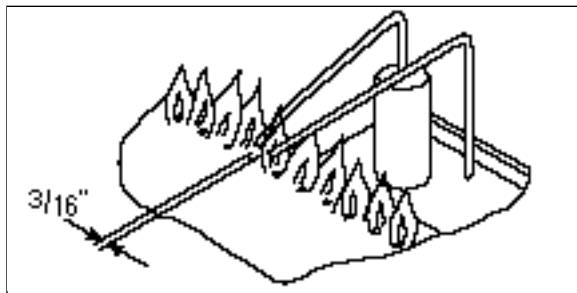


Figure 4
Electronic Ignition

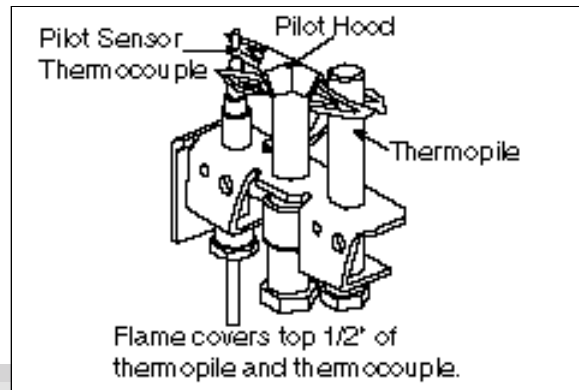


Figure 5
Standing Pilot

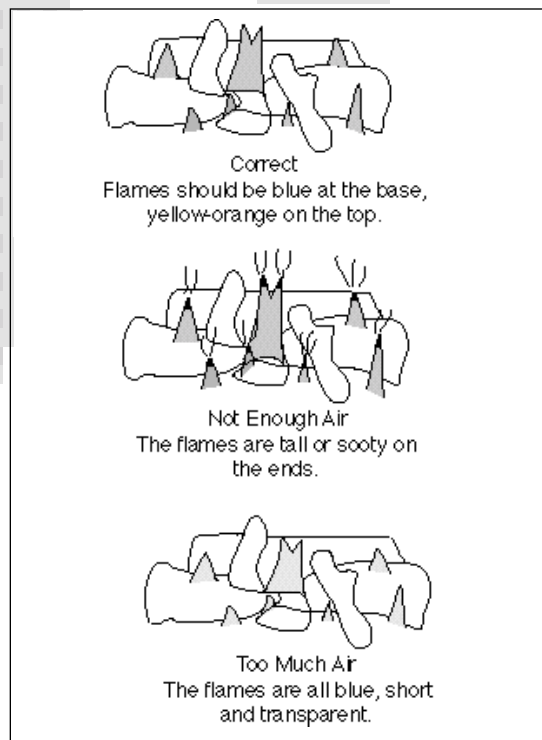


Figure 6
Flame Patterns

F. CLEANING THE GLASS

Venting system inspection

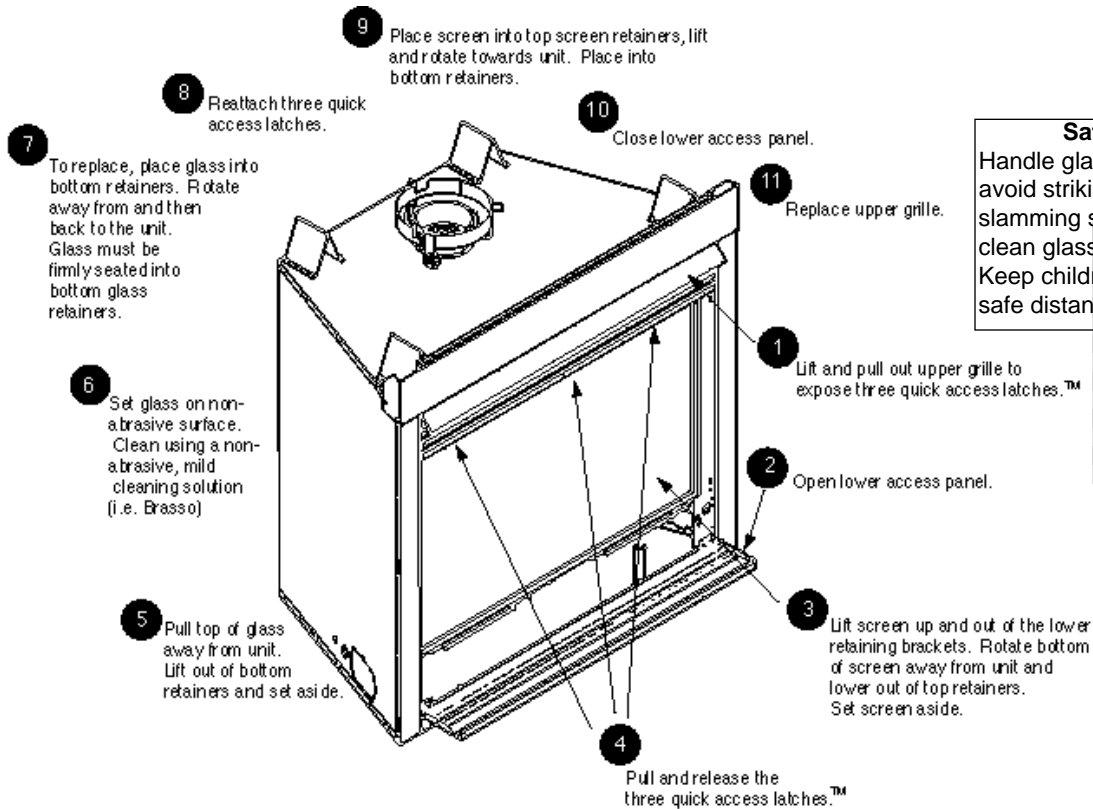
The appliance and venting system should be inspected before use, and at least annually, by a qualified field service person, to ensure that the flow of combustion and ventilation air is not obstructed.

Cleaning the glass

See Figure 7.

Never operate this appliance without the glass properly secured in place or if the glass is broken.

In the event of glass breakage, carefully remove the glass frame. This will allow the removal of all glass fragments and sheet metal edge protection strips. Vacuum all remaining glass pieces with a shop vac. (DO NOT VACUUM IF PIECES ARE HOT.) Replace glass with only a Heatilator glass panel assembly ordered direct or through your local distributor. Never use substitute material. Only fully tempered soda lime safety glass or ceramic glass may be used on this appliance.



Safety Note
Handle glass with care to avoid striking, scratching or slamming shut. NEVER clean glass when hot. Keep children and pets a safe distance away.

Figure 7
Glass Cleaning

Log Removal/Replacement

If removal of the logs becomes necessary, remove the two screws at each end of the grate. Grasp the grate as shown. Pull the log up and off the burner. See Figure 8.

To replace the logs, grasp the grate as shown. Lower the log set onto the burner pan. Attach the two screws at the ends of the grate.



Figure 8
Log Removal