



# QUADRA-FIRE

*North America's Best*



## DIRECT VENT GAS INSERT (DVI-32) INSTALLATION, OPERATION, VENTING AND MAINTENANCE INSTRUCTIONS

**SAVE THESE INSTRUCTIONS**

### WARNING

If the information in this manual is not followed exactly a fire or explosion may result, causing property damage, personal injury or loss of life.

### FOR YOUR SAFETY

DO NOT store or use gasoline or other flammable vapors and liquids in the vicinity of this or any other appliance.

### WHAT TO DO IF YOU SMELL GAS

Extinguish any open flame.

Open windows.

Do not try to light any appliance.

Do not touch any electric switch.

Do not use any telephone in your building.

Immediately call your gas supplier from a neighbor's phone.

Follow the gas supplier's instructions.

If you cannot reach your gas supplier, call the fire department.

Installation and service must be performed by a qualified installer, service agency, or the gas supplier.

### WARNING

Improper installation, adjustment, alteration, service or maintenance can cause injury or property damage.

Refer to this manual for correct installation and operational procedures. For assistance or additional information consult a qualified installer, service agency, or the gas supplier.

### PRIOR TO FIRST FIRE:


Clean gold door with a glass cleanser and soft cloth, as fingerprint oils will cause discoloration on gold when heated.

(Revised 11/00)



1445 North Highway  
Colville, WA 99114

Part #250-3692 / #842-2620

  
www.aladdinhearth.com  
aladdin@aladdinhearth.com

# TABLE OF CONTENTS

	<u>PAGE</u>
Safety label .....	3
Safety notices .....	4
Specifications .....	5
Gas line connection .....	5
Pressure testing .....	5
Dimensions .....	6
Listings .....	7
High altitude operation .....	7
Clearances to combustibles .....	7
Door installation .....	8
Log set installation .....	8
Glowing ember nuggets installation .....	8
Thermostat installation .....	9
Remote control .....	9
Blower power cord .....	9
Installation procedures .....	9
Front brick shutoff plate adjustment .....	9
Gas connections .....	9
Venting instructions .....	10
Installation precautions .....	10
Safety precautions .....	10
Venting parts list .....	11
Venting system maintenance .....	11
Planning your installation .....	12
Vertical terminations	
Using GS series pipe .....	12
Installing into an existing masonry or factory-built metal chimney .....	15
Lighting instructions .....	17
First fire .....	18
Maintenance	
Cleaning and inspection .....	18
Burner tube cleaning .....	18
Glass cleaning .....	18
Troubleshooting .....	18
Zero clearance fireplace kit .....	19
Accessories/service parts .....	19
Warranty .....	20
Warranty card .....	Insert

## SAFETY LABEL

(found behind gas supply access panel  
on left-hand side of stove)



Report #061-S-16-5  
October 1999  
ANSI Z21.88a-1998  
CSA 22.33a-M98 and CAN1 2.17-M91



1445 North Highway  
Colville, WA 99114

MODEL: DVI-32 NG VENTED GAS FIREPLACE HEATER  
DVI-32 LP SERIAL NO.

	DVI-32 For use with Natural Gas †0-2000'	DVI-32 For use with Propane †0-2000'
Manifold Pressure	3.5"WC	10.0"WC
Minimum Inlet Gas Supply Pressure	4.5"WC	11.0"WC
Maximum Inlet Gas Supply Pressure	7.0"WC	14.0"WC
BTU Input Rating (High)	32,000BTUH	32,000BTUH
BTU Output Rating (High)*	26,800BTUH	27,808BTUH
BTU Input Rating (Low)	20,000BTUH	25,000BTUH
BTU Output Rating (Low)*	16,800BTUH	21,725BTUH
Minimum Efficiency**	78.8%	82.9%
Orifice Size	#33	#51

\*Minimum Vent, Blower Off

\*\*Maximum Vent, Blower On

†This appliance equipped for altitudes 0-2000' (0-610M) in USA: and in Canada for altitudes of 0-4500' (0-1370M).

This appliance must be installed in accordance with local codes, if any, if not follow ANSI Z223.1/ CAN 1-149.

This vented gas fireplace is not for use with air filters.

Install and use only in accordance with manufacturer's installation and operating instructions.

Not for use with solid fuel.

Keep burner and control compartment clean. See installation and operating instructions accompanying this appliance.

Due to high surface temperatures, keep children, clothing and furniture away.

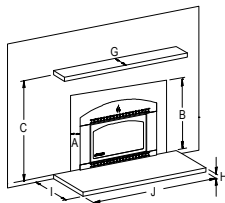
ELECTRICAL SUPPLY: 120 Volts, 1.2 Amps, 60 Hz

WARNING: Operation of this appliance when not connected to a properly installed and maintained venting system can result in carbon monoxide (CO) poisoning and possible death.

**MANUFACTURED  
AS A:**

DVI-32 NG

DVI-32 LP



**NOTE:** When installing in a zero clearance fireplace, the top edge of the panel set cannot contact combustibles

### Minimum clearances to combustible materials from stove body:

A	Side wall to combustibles	9" (229mm)
B	Height of combustible above bottom of insert	29 1/2" (749mm)
C	Height of mantel above bottom of insert	35 1/2" (902mm)
G	Width of mantel	14" (356mm)

NOTE: For every 1" of mantel depth, add 1" to clearance "C".

### NON COMBUSTIBLE HEARTH EXTENSION

H	Height of hearth	0"	1"	2"	3"	5"
I	Depth of hearth	24"	23"	22"	15"	0"
J	Width of hearth	30"				

# SAFETY NOTICES

This appliance should only be installed by a qualified installer. It is approved for installation in a bedroom. The appliance must be electrically grounded in accordance with local codes, or the latest edition of the National Electric Code. If no local codes exist, this appliance should be installed following the current codes:

CAN/CGA-B149.1 .....	Natural Gas Installation Code
CAN/CGAB149.2 .....	Liquid Propane Installation Code
CSA-C22.1 .....	Canadian Electrical Code
ANSI Z223.1 .....	National Fuel Gas Code
ANSI NFPA-70 .....	National Electrical Code

The control compartment, burner, and circulating air passageways MUST be kept clean and clear to allow for adequate combustion and proper operation. Provide adequate clearances around air openings and adequate accessibility clearance for service and operation. NEVER obstruct the openings of the appliance or the vent termination on the exterior of the building. NEVER vent the appliance to other rooms or buildings; this appliance must be vented ONLY to the outside, with a vertical termination. During installation, be sure to maintain minimum clearances to combustibles, as shown on page 7. Always contact your local building department or fire department prior to installing this appliance. If required, obtain a permit before installing, and have the completed installation inspected. Failure to do this could jeopardize your homeowner's insurance.

The area around the appliance MUST be kept free from combustible materials, gasoline and other flammable vapors and liquids.

This appliance is hot during operation, and should be located out of heavy traffic areas and away from furniture and draperies. Clothing or other flammable material should not be placed on or near the appliance. Children and adults should be alerted to the hazards of high surface temperatures and should stay away to avoid burns or clothing ignition. Children should not be left unsupervised in the room when this appliance is in operation.

**DO NOT USE THIS APPLIANCE:** If any part has been under water. Immediately call a qualified service technician to inspect the appliance, and to replace any part of the control system or any gas control which has been under water.

This appliance should NOT be modified under any circumstances. Any parts removed for servicing must be replaced before operating this appliance. Installation and repair should only be done by a qualified service technician. The appliance and its venting system should be inspected and cleaned annually by a qualified service technician. More frequent cleaning may be necessary due to excess lint and dust from carpeting, bedding material, etc. **Be sure to turn off gas valve and pilot before cleaning this appliance.**

Install at least one smoke detector on each floor of your home to ensure your safety. They should be located away from the gas appliance and close to the sleeping areas. Follow the smoke detector manufacturer's placement and installation instructions, and be sure to maintain regularly. Your local fire department may provide assistance in selecting smoke detectors, or contact the Consumer Product Safety Commission, Washington, D.C. 20207.

# SPECIFICATIONS

	NG	LP
Manifold pressure	3.5" WC	10.0" WC
Minimum inlet gas supply pressure	4.5" WC	11 0" WC
Maximum inlet gas supply pressure	7.0" WC	14.0" WC
BTU input rating (high)	32,000	32,000
BTU output rating (high)*	26,800	27,808
BTU input rating (low)	20,000	25,000
BTU output rating (low)*	16,800	21,725
Minimum efficiency*	78.8%	82.9%
Maximum efficiency**	84.0%	86.9%

\*Minimum vent, blower off

\*\*Maximum vent, blower on

## GAS LINE CONNECTION

Gas line connection can be made behind the left side fascia of the appliance (3/8" gas hookup) or through gas supply access door behind left-hand side fascia. You must supply a shutoff valve installed in a visible location within 3' (914mm) of the stove, or on left-hand side fascia access door.

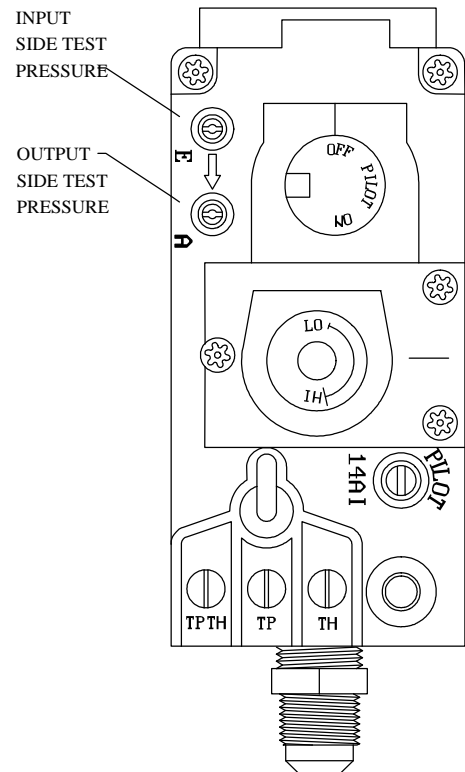
### CAUTION

IN SOME AREAS, GAS LINE PRESSURE MAY BE MORE THAN 1/2 PSIG (14" WC). IF YOU BELIEVE THAT THIS MIGHT BE THE CASE IN YOUR LOCALITY, CONTACT YOUR GAS SUPPLIER OR LOCAL UTILITY COMPANY. LINE PRESSURE GREATER THAN 1/2 PSIG WILL DAMAGE THE APPLIANCE VALVE. YOU MUST INSTALL A REGULATOR UPSTREAM FROM THE APPLIANCE IF LINE PRESSURE IS GREATER THAN 1/2 PSIG.

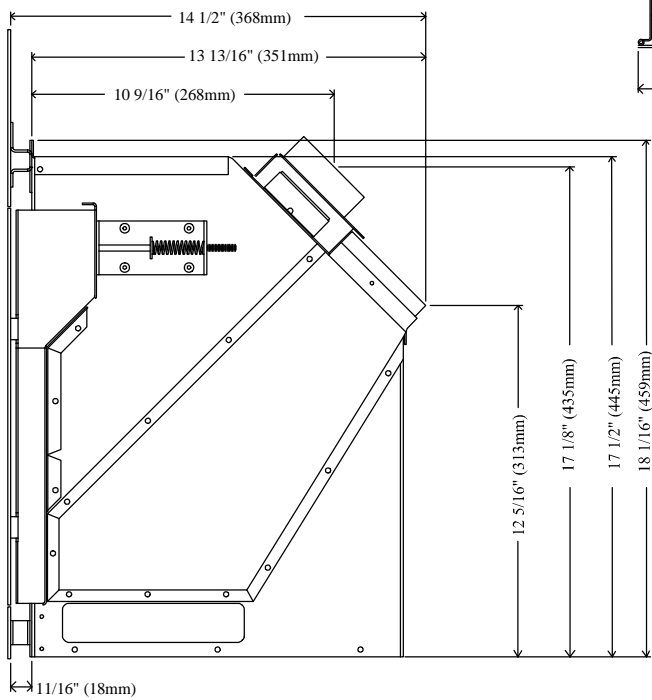
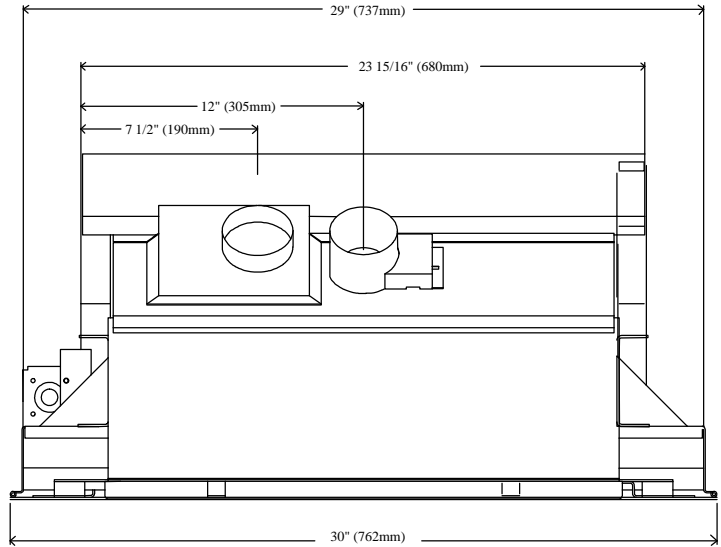
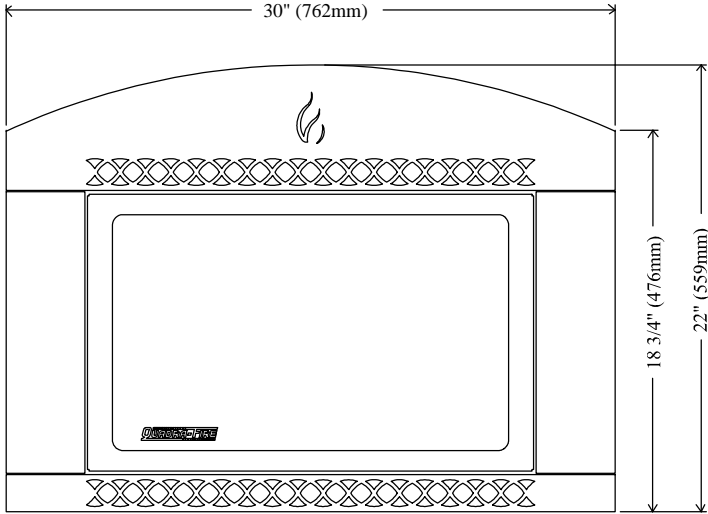
## PRESSURE TESTING

If the gas supply piping system exceeds pressures of 1/2 PSIG during testing, this appliance and its individual shutoff valve must be disconnected from the piping system. If test pressure is less than or equal to 1/2 PSIG, then this appliance must be isolated from the piping system by closing its individual shutoff valve. The gas valve is supplied with pressure test ports for checking input and output pressures. These are located just above the on/off knob and can be found inside the left-hand side fascia access door. The port on the bottom is for output pressure and the port on the top for input. Pressure can be checked by turning the captured screw counterclockwise two or three turns and then placing the manometer tubing over the test port. **BE SURE TO CLOSE CAPTURED SCREWS AFTER TESTING BY TURNING THEM CLOCKWISE. DO NOT OVERTIGHTEN SCREWS.**

**NOTE:** To make flame and heat output adjustments, turn the HI-LO knob located on the center of the valve (as seen in diagram at right). Turn counterclockwise for a higher flame and clockwise for a lower flame.



# DIMENSIONS



# LISTINGS

The Quadra-Fire DVI-32 is listed to ANSI Z21.88a-1998, CSA 22.33a-M98 and CAN1 2.17-M91NFPA-70 by OMNI-Test Laboratories, Inc., Beaverton, Oregon.

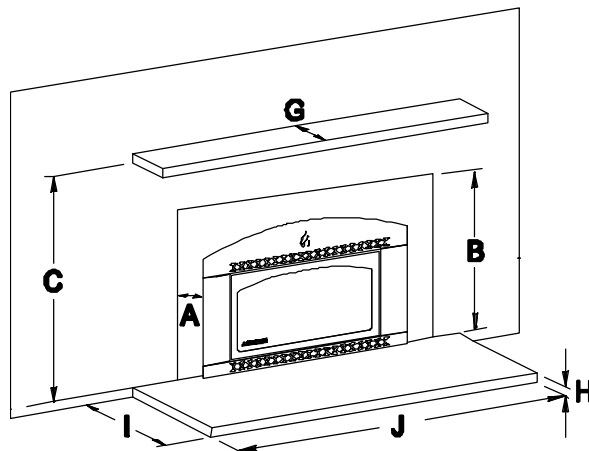
## HIGH ALTITUDE OPERATION

In Canada, this unit is approved from 0 to 4500 feet above sea level. Installation of this appliance at altitudes above 4500 feet are subject to field test of the individual installation and approval by the local authority having jurisdiction.

In the United States, input ratings of this unit are based on sea level operation, and are not needed to be changed for operation at elevations up to 2000 feet. For operation at elevations above 2000 feet, this appliance shall be reduced at the rate of 4% for each 1000' over the 2000' level.

Exception: As permitted by the authority having jurisdiction.

## CLEARANCES TO COMBUSTIBLES



### Minimum clearances to combustible materials from stove body:

A	Side wall to combustibles	9" (229mm)
B	Height of combustible above bottom of insert	29 1/2" (749mm)
C	Height of mantel above bottom of insert	35 1/2" (902mm)
G	Width of mantel	14" (356mm)
H	Height of hearth	0" (0mm)    1" (25mm)    2" (51mm)    3" (76mm)    5" (127mm)
I	Depth of hearth	24" (610mm)    23" (584mm)    22" (559mm)    15" (381mm)    0" (0mm)
J	Width of hearth	30" (762mm)

**NOTE:** When installing in a zero clearance fireplace, the top edge of the panel set cannot contact combustibles

## DOOR INSTALLATION



Figure 1



Figure 2

The DVI-32 is shipped from the factory with the door installed. To remove the door:

1. Turn eye bolts on each side of door, one-quarter turn to allow the door to slide forward. It will slide forward to a stop (Figure 1).
2. Lift door up and pull out from front of stove (Figure 2).

## LOG SET INSTALLATION



The log set is installed at the factory. To remove log set:

1. Remove the glowing ember nuggets.
2. Unscrew the two nuts located on the studs at the left and right front of the firebox.
3. The log set can then be lifted up and removed as one piece.

## GLOWING EMBER NUGGETS INSTALLATION

Place nuggets in a single layer across the burner tube. Make sure that nuggets do not fall behind the tube. If more than one layer of nuggets is placed across the burner tube, flame impingement and tall, sooty flames can result. If the flames on one side are too high, adjust the nuggets until the flame is the same height on both sides of the stove.



## THERMOSTAT INSTALLATION

If desired, a thermostat may be installed to regulate the Quadra-Fire DVI-32. It is important to use a thermostat designed for millivolt operation. Do not connect this appliance to a thermostat serving any other appliance.

### OPTIONAL THERMOSTATS

Manual Thermostat  
Part #812-2880  
Anticipator Setting 1.2

Electronic Setback  
Part #811-0520

### RECOMMENDED MAXIMUM LEAD LENGTH (TWO WIRE) WHEN USING WALL THERMOSTAT/SWITCH

<u>Wire Size</u>	<u>Maximum Length</u>
16 gauge	65' (19.8m)
18 gauge	40' (12.2m)
20 gauge	25' (7.6m)
22 gauge	18' (5.5m)

Connect the thermostat wires to the outer two screw terminals on the gas control valve, located behind the left side fascia access panel. Turn off the manual switch located behind the right side fascia access panel.

### REMOTE CONTROL

A remote control or a wall switch may be wired to the thermostat terminals. Contact your Quadra-Fire dealer or service person for details (see page 19 for part number).

### BLOWER POWER CORD

The blower cord is located at the rear of the stove, and needs to be routed to a three-prong outlet with correct polarity. Be sure that the stove is electrically grounded in accordance with local codes, with a current version of CSA C22 (in Canada), or in the absence of local codes, with the National Electric Code ANSI/NFPA 70-1987.

### WARNING

Do not cut the grounding terminal off under any circumstances.  
Do not route the power cord under the body of the appliance due to high temperatures.

### INSTALLATION PROCEDURES

The following procedures show some of the basic installation applications. Remember that every installation is different, and the installer should adjust to insure that the appliance is installed properly.

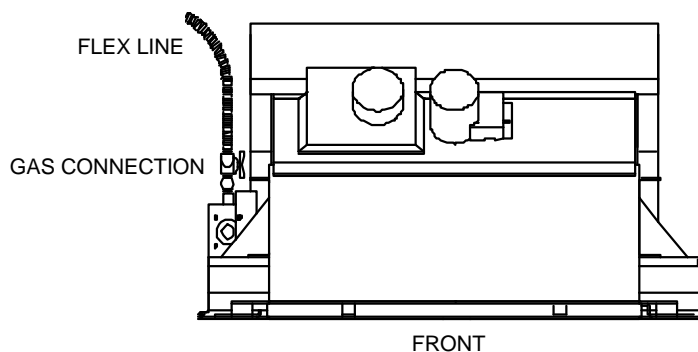
#### FRONT BRICK SHUTOFF PLATE ADJUSTMENT

The front brick shutoff plate controls the secondary air supply to the burner tube. For NG stoves, it should be slid all the way against the burner tube. For LP stoves, the front brick shutoff plate should be slid all the way to the front of the stove.

### GAS CONNECTIONS

Before hooking up the stove to the gas supply, be sure that the appliance you are installing is designed for the type of gas being supplied to it. There is a serial number and listing label behind the gas supply access door behind the left side fascia that will indicate which type of gas it is designed to utilize. The gas valve also has a label telling the type of fuel for which it is set up.

There is a 3/8" gas hookup located behind the left side fascia access panel, at the valve. We recommend connecting the stove with an approved flex gas line, as shown below. If flex gas lines are not approved in your area, you can connect a hard pipe to the gas hookup. Be sure to comply with all local codes.



## VENTING INSTRUCTIONS

**PLEASE NOTE:** In order to comply with applicable codes and product warranties, only Simpson Dura-Vent venting components may be used. DO NOT USE FIELD-FABRICATED VENTING COMPONENTS.

The Quadra-Fire DVI-32 is approved to be vertically terminated in a masonry fireplace or a zero clearance fireplace with Simpson Dura-Vent GS series and flex pipe. Only Simpson Dura-Vent components labeled and listed in this section may be used.

### IMPORTANT

Read all these instructions carefully before starting the installation. Failure to follow instructions may create a fire or other safety hazard, and will void the warranty. Be sure to follow these installation instructions for venting and clearance to combustibles requirements, which may vary from one installation to another.

### INSTALLATION PRECAUTIONS

The Quadra-Fire DVI-32 is an engineered product that has been designed and tested. The warranty will be voided, and serious fire, health, or other safety hazards may result from any of the following actions: installation of any damaged venting component, unauthorized modification of the venting system, installation of any component part not approved by Aladdin Hearth Products, or installation other than as instructed by these instructions. Consult your local building codes before beginning this installation.

**WARNING:** Always maintain the required clearances (air space) to nearby combustibles to avoid creating a fire hazard. Do not fill air space with insulation. Minimum clearance between vent pipes and combustible surfaces is 1", except where stated otherwise. Use only a Simpson Dura-Vent flex system in masonry fireplaces or metal zero-clearance fireplaces. Be sure to check the vent termination clearance requirements from decks, windows soffits, gas regulators, air supply inlets and public walkways, as specified in these installation instructions and local building codes.

The gas appliance and vent system must be vented vertically to the outside of the building, and never be attached to a chimney serving a separate solid fuel or gas-burning appliance. This direct vent gas appliance must use its own separate vent system. Common vent systems are prohibited.

### SAFETY PRECAUTIONS FOR THE INSTALLER

Wear gloves and safety glasses for protection when installing this appliance. Exercise extreme electrical caution when using ladders or on rooftops. Be aware of electrical wiring locations in walls and ceilings.

## VENTING PARTS LIST

Simpson Dura-Vent offers a complete line of component parts for installation in both horizontal and vertical applications. Many items are offered in decorative black, as well as galvanized finish. The galvanized pipe and fittings are used for concealed locations such as attics, or spaces where corrosion is a factor, such as above the roofline. Decorative brass and chrome trim kits are available for ceiling support boxes. The following components have been approved for use with the Quadra-Fire DVI-32:

<b>Number</b>	<b>Description</b>
790	3" (76mm) flex puller
902	48" (1219mm) pipe length
903	36" (914mm) pipe length
904	24" (610mm) pipe length
906	12" (305mm) pipe length
923F	Co-linear flex connectors
923GK	Direct vent chimney liner termination kit (baseplate and co-linear to co-axial adaptor)
940	Round support box
943	Flashing, 0/12 to 6/12 roof pitch
943S	Flashing, 7/12 to 12/12 roof pitch
945	45° elbow (two maximum)
953	Storm collar
963	Ceiling firestop
988	Wall strap
991	High wind termination cap
2280	3" (76mm) chimney flex liner
923GCL	Co-linear to co-axial adaptor

## VENTING SYSTEM MAINTENANCE

Conduct an inspection of the venting system semiannually. Recommended areas to inspect are as follows:

1. Check areas of the venting system which are exposed to the elements for corrosion. These will appear as rust spots or streaks and in extreme cases, holes. These components should immediately be replaced.
2. Remove the cap, and shine a flashlight down the vent. Remove any bird nests, or other foreign material.
3. Check for evidenced of excessive condensation, such as water droplets forming in the inner liner, and subsequently dripping out at joints. Continuous condensation can cause caps, pipe and fittings to corrode. It may be caused by having excessive lateral runs, or too many elbows.
4. Inspect joints to verify that no pipe sections or fittings have been disturbed and consequently loosened. Also check mechanical support such as wall straps, or plumbers tape for rigidity.

## PLANNING YOUR INSTALLATION

It is very important to maintain a balance between the combustion air intake and the flue gas exhaust venting system. The DVI-32 must be vented vertically, using Simpson Dura-Vent direct vent systems through a masonry fireplace or metal zero-clearance fireplace or can be installed using Simpson Dura-Vent GS series pipe in conjunction with Quadra-Fire zero clearance can.

**NOTE: Certain limitations as to vent and vertical termination configuration apply, and must be strictly adhered to.**

When planning your installation, it will be necessary to select the proper length of vent pipe for your particular requirements. To determine the length of your pipe required for vertical installations, measure the distance from the application flue outlet to the ceiling, the ceiling thickness, the vertical rise in an attic or second story, and allow for sufficient vent height above the roofline (2' above 10' [610mm above 3048mm] is standard). For two-story applications, fire stops are required at each floor level. If an offset is needed in the attic, additional pipe and elbows will be required.

When installing this appliance into an existing masonry chimney or zero clearance chimney, it is important to carefully measure the length of flex needed to reach from the appliance outlet to the termination cap. If the flex length is too short, a flex coupler will be needed to attach an additional length of flex liner to make up the difference. If the flex length is too long, the liner could sag below the appliance outlet, which could result in a potential fire hazard and restriction of combustion air needed by the appliance.

When dropping the flex venting, be sure to label the line to be used for exhaust at the top and bottom. If the venting is attached incorrectly, flame lift and flow reversal may occur.

NOTE: For installation into a zero clearance chimney, using two flex liners, you must have at least a 7" (178mm) ID in order to run the two lines of flex liner needed.

## VERTICAL TERMINATIONS

### USING GS SERIES PIPE IN CONJUNCTION WITH QUADRA-FIRE ZC CAN

**Step 1.** Check the installation instructions for required clearances (air space) to combustibles when passing through ceilings, walls, roofs, enclosures, attic rafters, or other nearby combustible surfaces. Do not pack air space with insulation.

**NOTE:** Maximum vertical rise allowable is 30' (9144mm) (Figure 1). Maximum number of 45° elbows permitted for a vertical installation is two. These elbows do not decrease allowable maximum vertical rise.

## MASONRY INSTALLATION

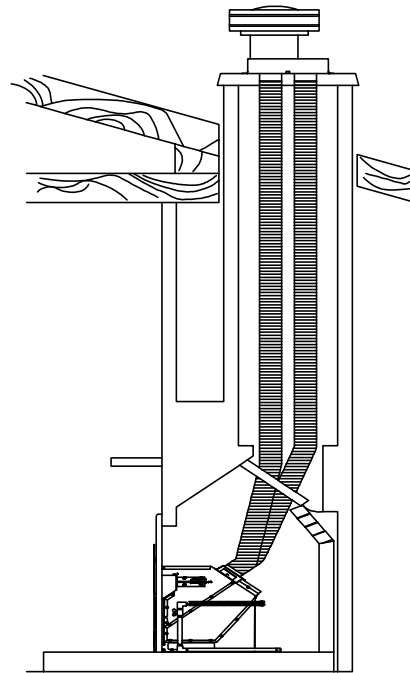
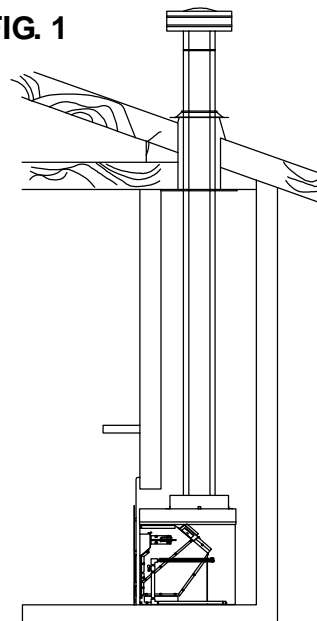


FIG. 1



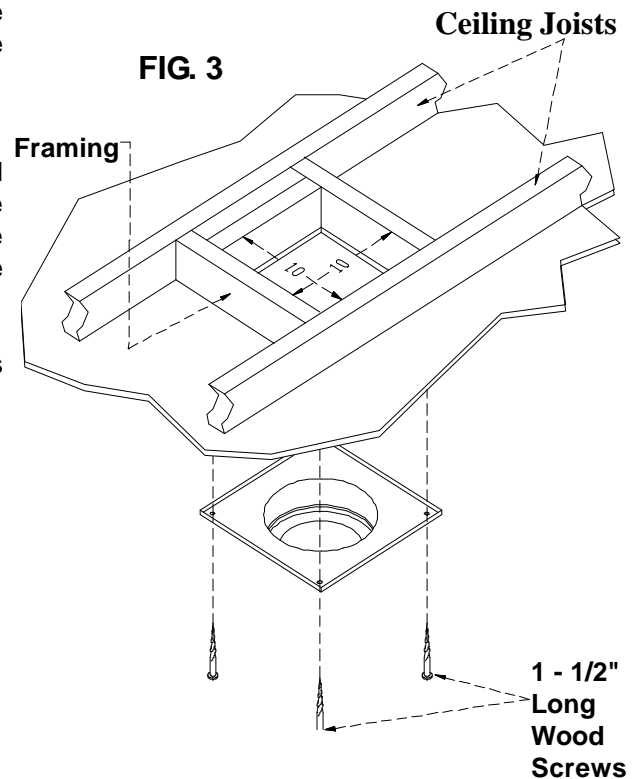
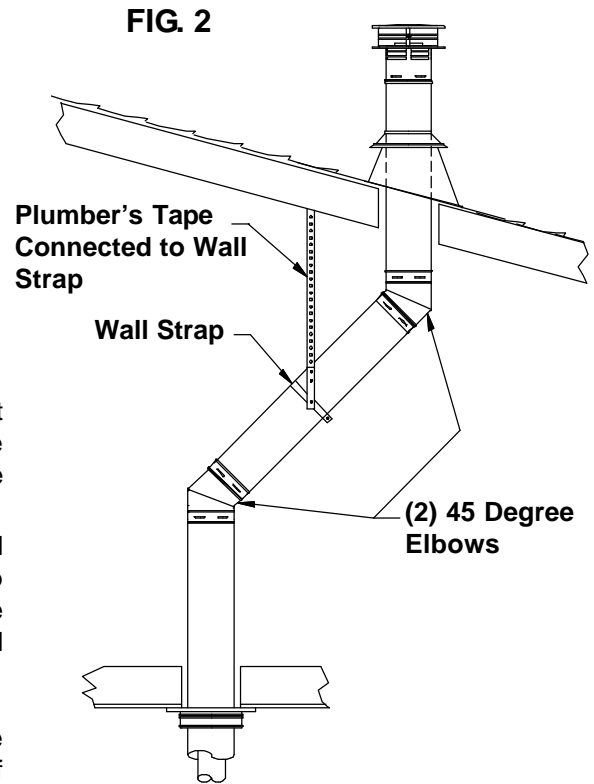
## VERTICAL TERMINATIONS, CONT.

### USING GS SERIES PIPE (cont.)

- Step 2.** Set the gas appliance in its desired location. Drop a plumb bob down from the ceiling to the position of the appliance flue exit, and mark the location where the vent will penetrate the ceiling. Drill a small hole at this point. Next, drop a plumb bob from the roof to the hole previously drilled in the ceiling, and mark the spot where the vent will penetrate the roof. Determine if ceiling joists, roof rafters, or other framing will obstruct the venting system. You may wish to relocate the appliance, or to offset, as shown in Figure 2, to avoid cutting loadbearing members.
- Step 3.** To install the round support box in a flat ceiling, cut a 10" x 10" (254mm x 254mm) square hole in the ceiling, centered on the hole drilled in step 2. Frame the hole as shown in Figure 3.
- Step 4.** Assemble the desired lengths of black pipe and elbows necessary to reach from the appliance up through the round support box. Insure that all pipe and elbow connections are in their fully twist-locked position.
- Step 5.** Cut a hole in the roof centered on the small drill hole placed in the roof in step 2. The hole should be of sufficient size to meet the minimum requirements for clearance to combustibles, as specified. Continue to assemble lengths of pipe and elbows necessary to reach from the ceiling support box up through the roof line. Galvanized pipe and elbows may be utilized in the attic, as well as above the roofline. The galvanized finish is desirable above the roofline, due to its higher corrosion resistance

#### NOTE:

- (1) If an offset is necessary in the attic to avoid obstructions, it is important to support the vent pipe every 3' (914mm), to avoid excessive stress on the elbows, and possible separation. Wall straps are available for this purpose (Figure 3).
- (2) Always use 45° elbows. The 45° elbow offers less restriction to the flow of flue gases and intake air.

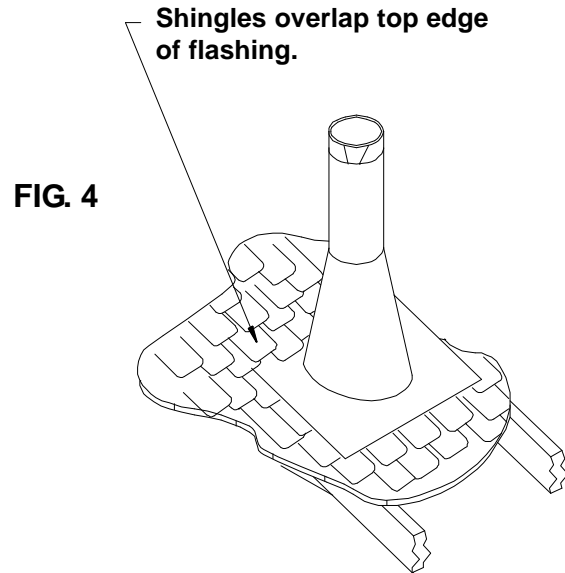


## VERTICAL TERMINATIONS (cont.)

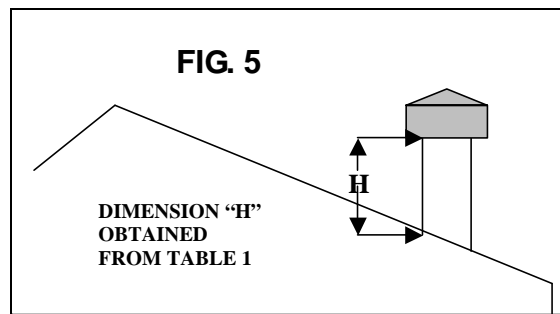
### USING GS SERIES PIPE (cont.)

**Step 6.** Slip the flashing over the pipe section(s) protruding through the roof. Secure the base of the flashing to the roof with roofing nails. Insure the roofing material overlaps the top edge of the flashing (Figure 4). Verify that you have at least the minimum clearance to combustibles at the roofline.

**Step 7.** Continue to assemble pipe sections and seal with silicone until the height of the vent cap (H) (Figure 5) meets the minimum building code requirements described in Table 1 (Figure 5), and outlined in the current CANGA-BI49 Installation Codes (in Canada), the National Fuel Gas Code NFPA 54/ANSI Z223.1 (in USA), or local codes. Note that for steep roof pitches, the vent height must be increased. In high wind conditions nearby trees, adjoining rooflines, steep pitched roofs, and other similar factors can result in either poor draft or down drafting. In these cases increasing the vent height may solve this problem. If in doubt, follow the 2-10-3 rule as shown below:



**FIG. 4**



**Figure**

ROOF PITCH	MINIMUM HEIGHT	
	FEET	METERS
FLAT TO 7/12	1	0.3
OVER 7/12 TO 8/12	1.5	0.46
OVER 8/12 TO 9/12	2	0.61
OVER 9/12 TO 10/12	2.5	0.76
OVER 10/12 TO 11/12	3.25	0.99
OVER 11/12 TO 12/12	4	1.22
OVER 12/12 TO 14/12	5	1.52
OVER 14/12 TO 16/12	6	1.83
OVER 16/12 TO 18/12	7	2.13
OVER 18/12 TO 20/12	7.5	2.29
OVER 20/12 TO 21/12	8	2.44

The height of the Vent Cap must meet the minimum building code requirements described above.

## VERTICAL TERMINATIONS (cont.) USING GS SERIES PIPE (cont.)

**Step 8.** Twist-lock the vent cap and seal.

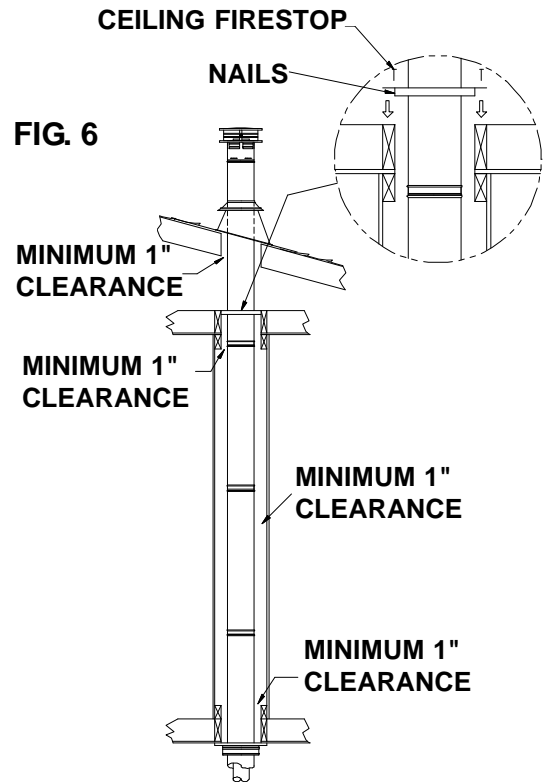
**NOTE:**

- (1) For multi-story vertical installations, a ceiling firestop (SDV part #963) is required at the second floor, and any subsequent floors (Figure 6). The opening should be framed to 10" x 10" (254mm x 254mm) inside dimensions.
- (2) Any occupied areas above the first floor, including closets and storage spaces, which the vertical vent passed through must be enclosed. The enclosure may be framed and sheetrocked with standard construction materials; however, refer to these installation instructions for the minimum allowable clearance between the outside of the vent pipe and the combustible surfaces of the enclosure. Do not fill any of the required air space with insulation.

### INSTALLING INTO AN EXISTING MASONRY OR FACTORY-BUILT METAL CHIMNEY

(see Masonry Installation Diagram on page 12)

- Step 1.** Inspect the chimney to ensure there are no holes, etc. in structure. Vacuum any ash or dirt from the fireplace to avoid it being sucked into blower on stove.
- Step 2.** Insert a rope through the end of the flex puller and tie a knot at the end of the rope. Attach the flex puller to the flex liner using four sheet metal screws. Be sure to label one liner "exhaust" and other "intake". Carefully feed the liner down the chimney and out through the damper.  
**NOTE:** If additional lengths of flex liner are needed to span the chimney height, use a flex coupler to connect the pieces of flex liner together. Connect the flex to the coupler with four sheet metal screws on each end.
- Step 3.** After carefully feeding the liner down the chimney to the bottom, line up the flex liner with the vent opening on the appliance.  
**NOTE:** Do not let the flex liner sag below the level at which it will connect to the appliance. This could allow hot gas to become trapped and potentially become a fire hazard. The flex liner path should always be sloped up toward the termination cap.
- Step 4.** Remove the flex puller from the flex liner and temporarily secure the liner to the top of the chimney. Be sure to leave 2"-3" (51-76mm) of flex above the existing chimney to allow for connection to the top adaptor.
- Step 5.** Repeat steps 2-4 for the second length of flex liner, if applicable.



## VERTICAL TERMINATIONS (cont.)

### INSTALLING INTO AN EXISTING MASONRY OR FACTORY-BUILT METAL CHIMNEY, (cont.)

(see Masonry Installation Diagram on page 12)

#### Step 6. MASONRY CHIMNEY:

At the top of the chimney, slide the baseplate over the flex liner and secure it to the surrounding masonry using masonry anchor bolts. Before installing baseplate, run a bead of non-hardening sealant between the baseplate and the masonry to prevent moisture from entering the chimney (see Figure 7).

**NOTE:** You must have a level surface in order to install the baseplate properly.

#### FACTORY-BUILT METAL CHIMNEY:

At the top of the chimney, slide the baseplate over the flex liner. Cut and fold the edges of the baseplate into flanges so that it folds over the top of the metal chimney. Secure baseplate with screws to metal chimney. Before installing baseplate, run a bead of non-hardening sealant between the baseplate and the chimney to prevent moisture from entering the chimney (Figure 7).

**Step 7.** Attach the flex liner at the top of the chimney to the co-linear to co-axial adaptor. Use four sheet metal screws to connect each flex liner run to the adaptor. Mount the adaptor to the baseplate using sheet metal screws, as shown (see Figure 8).

**Step 8.** Twist lock the high wind termination cap (SDV part #991) to the top adaptor (see Figure 9). **Do not use any other termination cap.**

**Step 9.** Attach the flex lines to the appliance, using hose clamps provided.

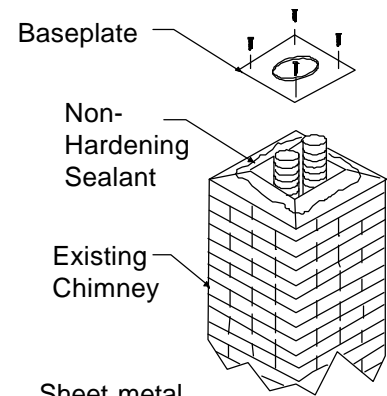


FIG. 7

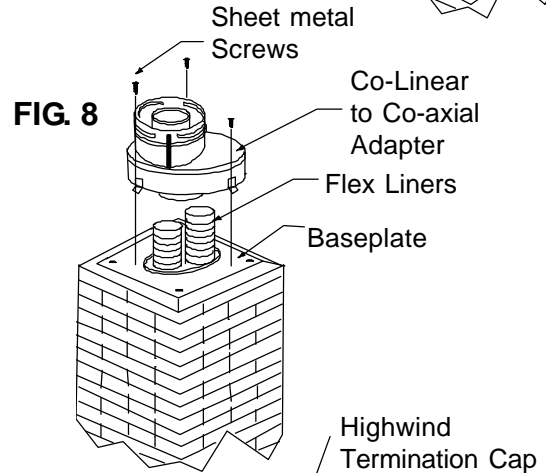


FIG. 8

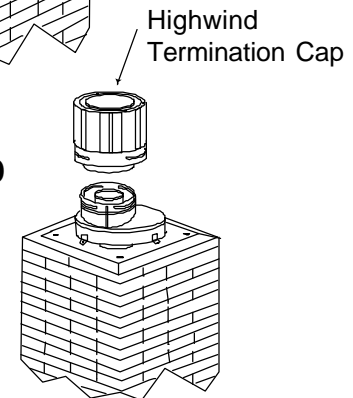


FIG. 9

**We strongly recommend the use of two flex liners to properly install the DVi-32.**

**NOTE: THE FOLLOWING INSTALLATION IS APPROVED FOR APPLICATIONS IN THE UNITED STATES ONLY. IT IS NOT APPROVED FOR INSTALLATIONS IN CANADA.**

The DVi-32 has been tested using the chimney for the outside air source, but only under these conditions:

1. **Do not use the co-axial to co-linear adaptor** when using a single exhaust liner and the chimney as the outside air source. Use only a Class-A GS series pipe adaptor, connected to a 4" (102mm) flex, a 4" (102mm) to 3" (76mm) conversion, and then 3" (51mm) flex for the length of the chimney.
2. Some type of baseplate must be manufactured to seal off the top of the chimney, as any Simpson Dura-Vent Class-A adaptor will probably not cover factory-built fireplace pipes or a masonry flue.
3. Two 3" (76mm) flex liners must pass through the damper and/or smoke shield, one (exhaust) running continuously to the top and one (intake) extending past the damper.
4. The damper must be completely sealed. Insulation alone is not adequate. There must be an airtight seal around both flex liners where they pass through the damper.
5. You must install a Simpson Dura-Vent high wind termination cap (SDV part #991).



## FOR YOUR SAFETY READ BEFORE LIGHTING

**WARNING: If you do not follow these instructions exactly, a fire or explosion may result causing property damage, personal injury or loss of life.**

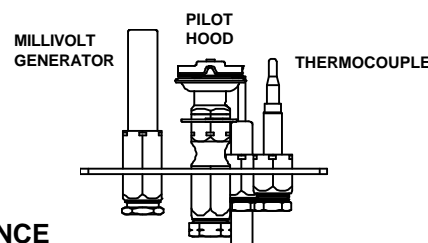
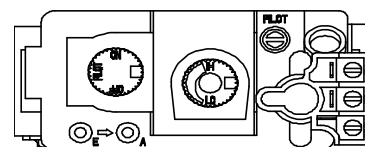
- A. This appliance has a pilot that must be lit manually. When lighting the pilot, follow these instructions exactly
- B. BEFORE LIGHTING, smell around the appliance area for gas. Be sure to smell next to the floor because some gas is heavier than air and will settle on the floor.

### WHAT TO DO IF YOU SMELL GAS

- Do not try to light any appliance.
  - Do not touch any electric switch; do not use any phone in your building.
  - Immediately call your gas supplier from a neighbor's phone. Follow the gas supplier's instructions.
  - If you cannot reach your gas supplier, call the fire department.
- C. Use only your hand to push in or turn the gas control knob. Never use tools. If the knob will not push in or turn by hand, don't try to repair it, call a qualified service technician. Force or attempted repair may result in a fire or explosion.
  - D. Do not use this appliance if any part has been under water. Immediately call a qualified service technician to inspect the appliance and to replace any part of the control system and any gas control which has been under water.

### LIGHTING INSTRUCTIONS

1. STOP! Read the safety information above on this label.
2. Set the thermostat to the lowest setting (if applicable) and turn off the switch on the right side of the appliance.
3. Disconnect power from appliance.
4. Open the left hand side fascia access door to expose the gas control.
5. Push in gas control knob slightly and turn clockwise ↻ to "OFF".  
NOTE: Knob cannot be turned from "PILOT" to "OFF" unless knob is pushed in slightly. Do not force.
6. Wait five (5) minutes to clear out any gas. Smell for gas, including near the floor. If you smell gas, STOP! Follow "B" of the safety information above. If you don't smell gas go to the next step.
7. The pilot should be visible through the door glass in the lower left-hand corner under the front log.
8. Push in knob on gas control, and turn counterclockwise ↻ to "PILOT".
9. Push in control knob all the way and hold in. Immediately light the pilot by repeatedly depressing the piezo igniter until a flame appears. Continue to hold the control knob in for about one (1) minute after the pilot is lit. Release knob and it will pop back up. Pilot should remain lit. If it goes out, repeat steps 5 through 9.  
\*If the knob does not pop up when released, stop and immediately call your service technician or gas supplier.  
\*If the pilot will not stay lit after several tries, turn the gas control knob to "OFF" and call your service technician or gas supplier.
10. Turn gas control knob counterclockwise ↻ to "ON".
11. Close access panel and turn on switch (located behind right-hand side fascia access door).
12. Turn on all electric power to the appliance.
13. If applicable, set thermostat to desired setting and turn off switch behind right-hand side fascia access door.



### TO TURN OFF GAS TO APPLIANCE

1. Set the thermostat to lowest setting.
2. Turn off all electric power to the appliance if service is to be performed.
3. Open left-hand side fascia access door.
4. Push in gas control knob slightly and turn clockwise ↻ to "OFF". Do not force.
5. Close access door.

## FIRST FIRE

**NOTE:** Never operate this appliance with the door open.  
**NOTE:** No electrical power supply is required for the gas control to operate. Standing pilot allows the valve to operate with manual switch or millivolt thermostat.

**WARNING:** WHEN THE APPLIANCE IS EQUIPPED WITH A 24 KARAT GOLD-PLATED DOOR, YOU MUST CLEAN ALL THE FINGERPRINTS AND OILS FROM THE GOLD SURFACE BEFORE FIRING THE APPLIANCE FOR THE FIRST TIME. USE A GLASS CLEANER OR VINEGAR AND A TOWEL TO INSURE THAT THE OIL IS REMOVED. IF NOT CLEANED PROPERLY BEFORE FIRING, FINGERPRINTS OR OIL CAN CAUSE PERMANENT MARKINGS ON THE GOLD PLATING. AFTER THE GOLD PLATING IS CURED, THE OILS WILL NOT AFFECT THE FINISH AND LITTLE MAINTENANCE IS REQUIRED; JUST WIPE CLEAN AS NEEDED.

Before first firing the insert, read this owner's manual to be familiar with the stove's features, controls, and cautions for operation.

**Remove all labels from glass before operating this insert for the first time.**

Plug power cord into a properly installed outlet for blower operation.

The blower system has an on/off thermo snap disc that will turn the blower on automatically when the proper temperature is reached, and will turn the blower off when it cools down in order not to blow cool air after shut down.

The rheostat to control the blower speed is located on the right side of the appliance, behind the fascia.

Manual on/off switch for control valve is located on the right side of the appliance, behind the fascia.

Follow the lighting instructions on page 17 of this manual, or metal lighting instructions located behind gas supply access panel behind left side fascia.

During your first fire in the appliance, you may notice an odor and steam coming from the insert. This is normal; it is the high temperature paint finishing the curing process. Open the door and/or windows in the home or structure for ventilation.

We recommend that you cycle the insert to heat for several minutes until it reaches the curing stage, and then turn to off to cool for five minutes. Then turn the insert back on, and burn until the steam and/or odor no longer appears.

If odor persists, turn off the gas supply to the insert, and call your local dealer or authorized service person to inspect the appliance.

## MAINTENANCE

### CLEANING AND INSPECTION

At least once yearly, preferably before the heating season, have the insert and venting system cleaned and inspected by a qualified service person. This will insure proper and safe operation throughout the year.

### CLEANING THE BURNER TUBES

1. Turn off pilot light.
2. Open door by turning eye bolt and releasing door.
3. Remove log set (see page 8).
4. Vacuum burner compartment, especially around orifice and primary air openings.
5. Relight pilot. Check to insure flames are touching millivolt generator (see diagram at right).
6. Reinstall log set.
7. Close front door and lock it in place.
8. Recheck pilot and main burner to insure they are operating correctly.

### GLASS CLEANING

**WARNING: DO NOT CLEAN GLASS WHEN HOT.**

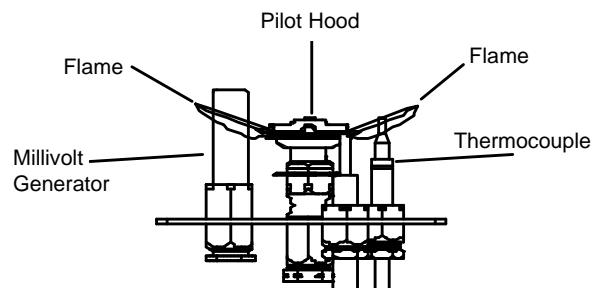
1. Turn off pilot.
2. Open door by turning bolt.

**WARNING: DO NOT USE ABRASIVE CLEANERS ON GLASS OR GOLD SURFACES.**

3. Using regular glass cleaner, spray the glass surface and wipe with soft cloth or clean paper towel until surface is dry.
4. Close door and tighten bolt to prevent opening of the door while in operation.
5. Relight pilot and check main burner's operation.

**NOTE:** If you observe a white film on the door glass, use a hard water deposit glass cleaner or contact your dealer.

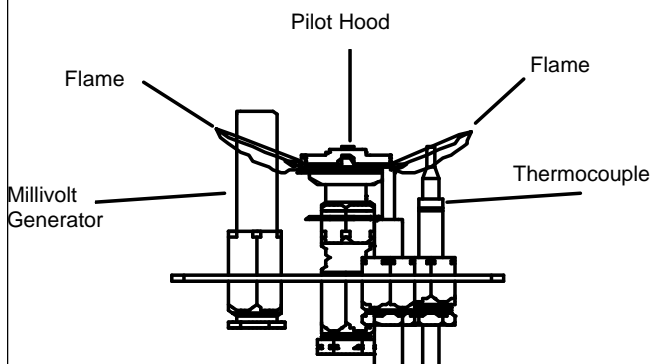
**NOTE:** Do not use abrasive materials or chemical cleaners.



## TROUBLESHOOTING

- A. Pilot won't light
1. Make sure valve setting is in the pilot position.
  2. Check for spark at igniter.
    - a. If no spark:
      1. Check the wiring between the piezo and the igniter. If bad, fix wiring; if good, you may have a faulty piezo or cracked ceramic on the electrode.
      2. Call your Quadra-Fire dealer.
    - b. If there is a spark:
      1. Try to light the pilot with a match. The flame should either light or flutter.
        - a. If the flame flutters but does not light the pilot, there probably is air in the line. Hold flame to pilot hood, then bleed the line until gas comes through.
        - b. If the match flame does not flutter, make sure the gas is turned on and be sure you are pushing the knob in all the way. If this still doesn't help, you may be dealing with a bad valve, a blocked pilot orifice, or a kinked pilot line.
  3. Call your dealer or authorized service person.
- B. Pilot goes out when knob is released
1. Wait five minutes and try again. If the pilot still goes out, try again and hold the knob in longer.
  2. If the problem persists, call your dealer or authorized service person.
- C. Pilot lights but burner won't ignite
1. Make sure the knob is turned to the "on" position.
  2. Turn the thermostat up.
  3. If there is no thermostat, flip the manual switch on the right side panel of the insert. If the burner does not light, short out the thermostat screws on the face of valve marked TH and TPTH. If the burner lights, you may have a problem in the wiring of the stove, and it should be checked.
  4. Check the thermostat and thermopile connections at the valve, and tighten or reconnect if needed.
  5. If the burner still will not ignite, you may have a bad valve; call your dealer or authorized service person.

Check the pilot and burner flames periodically. When properly adjusted, they should look like the flames in the illustration below. Call your dealer or authorized service person to have the pilot properly adjusted.



Pilot assembly showing flame properly adjusted.

## ACCESSORIES

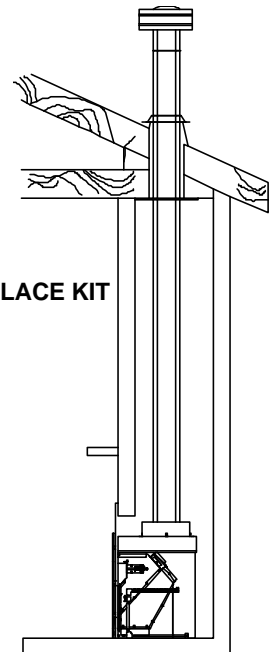
These may be ordered through your Quadra-Fire dealer.

- 812-2880 Thermostat, manual
- 811-0520 Thermostat, electronic set back
- 841-0320 Remote control
- 841-0620 Zero clearance fireplace box
- 842-2571 Gold fascia
- 842-2561 Black fascia
- 842-2590 Gold door crown, arched
- 842-2610 Gold door crown, rectangle
- 842-2580 Black door crown, arched
- 842-2600 Black door crown, rectangle
- 841-0561 Panel and trim, arched, standard
- 841-0571 Panel and trim, arched, OTS
- 841-0581 Panel and trim, standard
- 841-0591 Panel and trim, OTS
- 841-0601 Panel, inside fit, standard
- 841-0611 Panel, inside fit, OTS

## SERVICE PARTS

- 842-2630 Baffle
- 842-2860 Blower, 170 cfm
- 842-0380 Blower cord, 6 foot
- 842-2750 Brick, Front Piece
- 842-2760 Brick Set
- 842-0250 Millivolt generator (thermopile)
- 842-0390 Thermocouple
- 842-1660 Rocker switch, high temperature
- 842-2620 Owner's manual
- 842-0360 Piezo igniter
- 842-2700 Log set
- 842-2670 Door glass
- 842-2660 Wire harness
- 842-0370 Speed control with knob
- 832-2970 Blower snap disc, ceramic, 125 degree
- 842-2650 LP conversion kit
- 842-2640 NG conversion kit

## ZERO CLEARANCE FIREPLACE KIT





*North America's Best*

**GAS APPLIANCE LIMITED LIFETIME WARRANTY**

Aladdin Hearth Products, warrants this gas heating appliance to the original purchaser for the lifetime of the appliance, to be free from defects in material and workmanship. This warranty gives you specific legal rights; you may have other rights which may vary from state to state.

This limited Lifetime Warranty covers items such as but not limited to combustion chambers, burners, gas logs, and gold plating.

All parts to be replaced must be returned to an authorized Aladdin Hearth Products dealer at purchaser's expense for inspection and approval by Aladdin Hearth Products prior to repair or replacement. No repair or replacement costs will be honored without approval of Aladdin Hearth Products.

This new Quadra-Fire product must be installed by a competent, authorized service contractor. It must be installed and operated at all times in accordance with the Installation, Operation and Maintenance Instructions in this manual, as well as any applicable local and national codes. Any alteration, willful abuse, accident, or misuse of the product shall void this warranty.

Any installation, construction, transportation, or other related costs or expenses arising from defective part(s), repair, replacement, etc., will not be covered by this warranty, nor will Aladdin Hearth Products assume responsibility for them. Further, Aladdin Hearth Products will not be responsible for any incidental, indirect, or consequential damages, except as provided by law.

All electrical components such as but not limited to blowers, wiring, thermodisc switches and gas valves are covered by Aladdin's one year warranty program.

Aladdin Hearth Products will not be responsible for any alteration to the unit which causes sooting that results in damage to the interior of the building in which this appliance is installed.

This warranty is void if the stove has been operated in atmospheres contaminated by chlorine, fluorine, or other damaging chemicals, or the stove is subjected to prolonged periods of dampness or condensation.

This limited Lifetime Warranty does not extend to or include paint or ceramic insulating materials. It does not cover installation or operational related problems such as overfiring, or negative air pressures caused by mechanical systems such as furnaces, fans, clothes dryers, etc.

This limited Lifetime Warranty does not apply to hearth components or other accessories used in conjunction with the installation of this product not manufactured by Aladdin Hearth Products.

This limited Lifetime Warranty is effective on all gas stoves sold after September 1, 1996, and supersedes any and all warranties currently in existence.

**IMPORTANT**

This warranty is not valid unless the warranty registration card has been properly completed in full and returned within 10 days from the date of purchase to Aladdin Hearth Products, 401 North Wynne Street, Colville, WA 99114-2153. Proof of purchase is required to secure warranty.

**FOR YOUR RECORDS**

Date of Purchase \_\_\_\_\_ Model # \_\_\_\_\_

Authorized Dealer \_\_\_\_\_ Serial # \_\_\_\_\_

Copyright Aladdin Hearth Products, August 1997 (842-2620)