

## CS-36, CS-42, CS-50 Installation Instructions

### ⚠ WARNING



#### HOT SURFACES!

Glass and other surfaces are hot during operation AND cool down.

#### Hot glass will cause burns.

- **DO NOT** touch glass until it is cooled
- **NEVER** allow children to touch glass
- Keep children away

- **CAREFULLY SUPERVISE** children in same room as fireplace.
- Alert children and adults to hazards of high temperatures.

#### High temperatures may ignite clothing or other flammable materials.

- Keep clothing, furniture, draperies and other flammable materials away.
- Do NOT operate with protective barriers open or removed.
- The doors must remain closed if children will be present during the operation of the fireplace.
- The doors may be made operable per these instructions. This may be done only upon request of a person responsible for the use and operation of the fireplace.
- The doors can be returned to the locked position following these instructions.
- These instructions are to be left with a person responsible for the use and operation of the fireplace.

**WARNING! Risk of Fire!** Combustible materials **MUST NOT** overlap or be placed under a surround.

**CAUTION! Risk of Cuts or Abrasions.** Wear protective gloves and safety glasses during installation. Sheet metal edges are sharp.

**CAUTION! Do not install damaged components.** If you received components that are damaged, contact your dealer for assistance.

#### TOOLS REQUIRED

- Phillips Screwdriver
- 1/4 in. nut driver

**NOTE:** Refer to the appliance installation manual for more information in regards to non-combustible finish material guidelines.

#### DOOR INSTALLATION

1. Remove hearth warning plate from appliance by removing two screws. The plate was factory-installed to ensure that the hearth was installed to the required clearances. See Figure 1.
2. Remove glass assembly. The glass removal/installation

tool is located in the lower right corner of the fireplace opening. It is held in place with one 1/4 inch screw.

3. Install left and right door brackets into the left and right surround of the appliance. See Figure 2. Use the four Phillips screws included with the door instruction bag assembly.

**NOTE:** These doors are adjustable so that they can overlap finish material 0 – 1 in. thick that has been installed on top of the 1/2 inch factory-installed non-combustible material. See Figure 3.

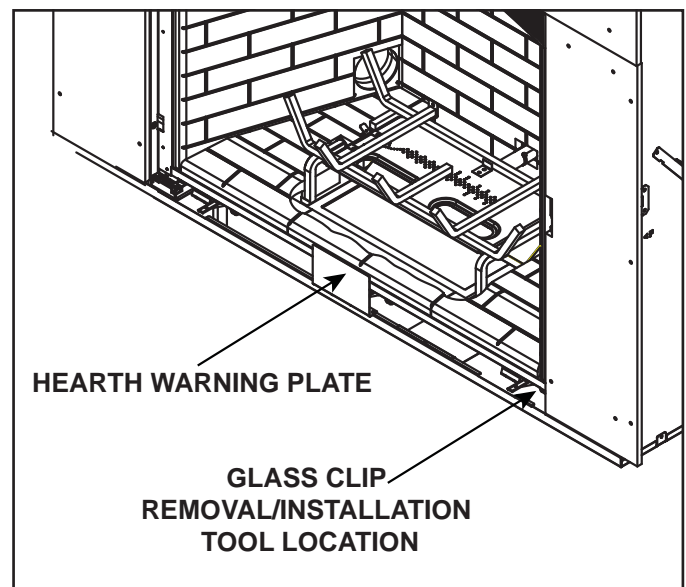


Figure 1. Warning Plate Location

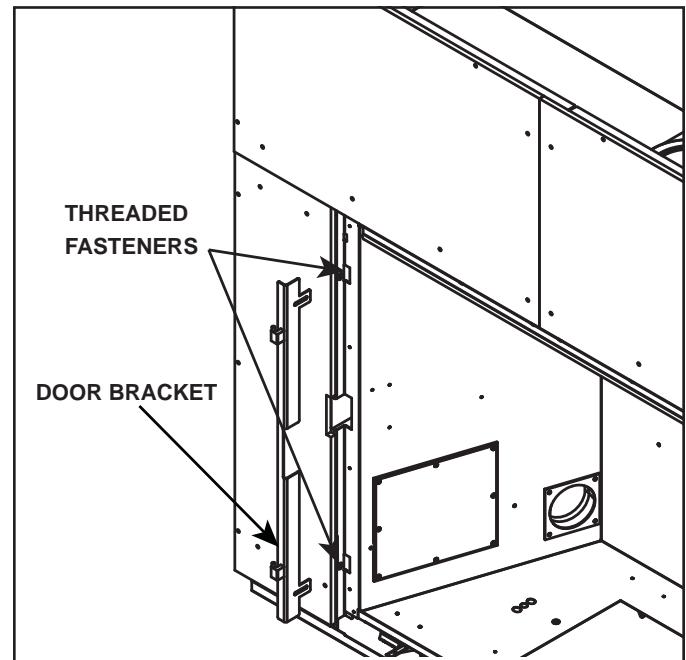


Figure 2. Installing Door Bracket

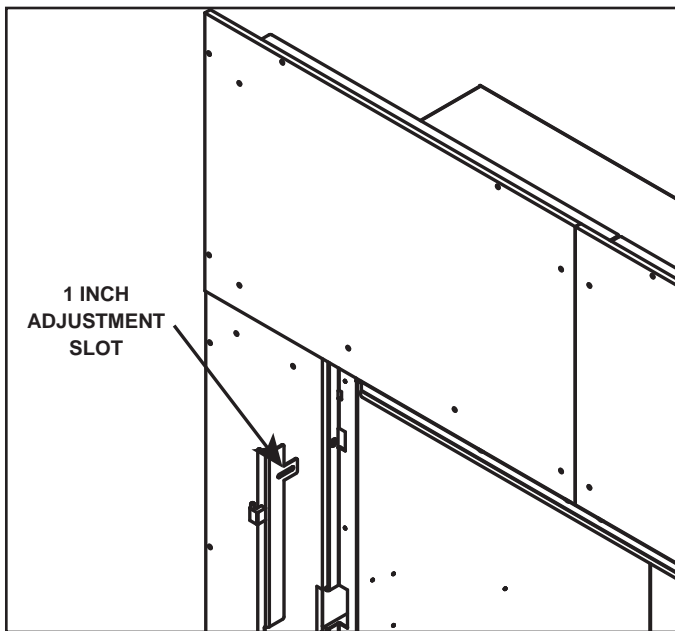


Figure 3. Adjustment Slot

4. Locate the two pilot holes in the top front surround. Install the top door latch assembly with two 1/2 inch screws included in the door instruction bag assembly. See Figure 4.

**NOTE:** The top door latch assembly is adjustable so that it can overlap finish material up to 1 inch thick that has been installed on top of the 1/2 inch factory-installed non-combustible material. See Figure 4.

5. Reinstall glass assembly by using glass tool. Return tool to shipping location and fasten with one 1/4 inch screw.
6. Install left and right doors by engaging the receiver hinge on the door to the hinge blocks on the door bracket. See Figure 6.
7. Verify that doors are aligned properly and that there is uniform spacing between the doors from top to bottom as shown in Figure 7. If spacing is not uniform, reference "Door Hinge Adjustment" section on page 3.

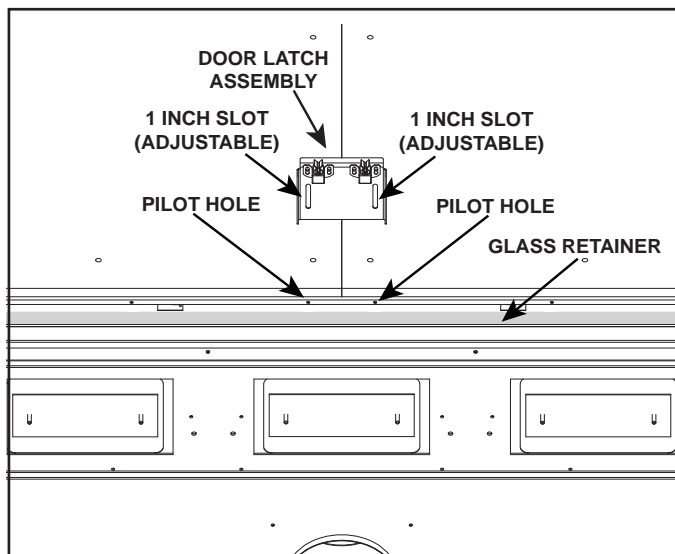


Figure 4. Installing Top Door Latch Assembly

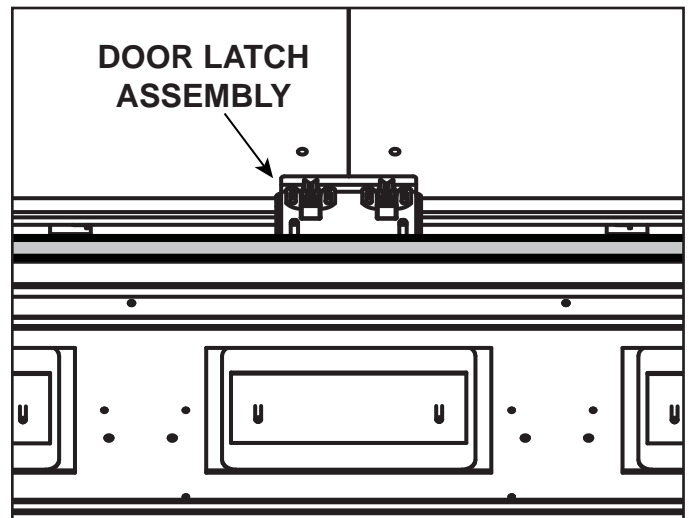


Figure 5. Top Door Latch Assembly Installed

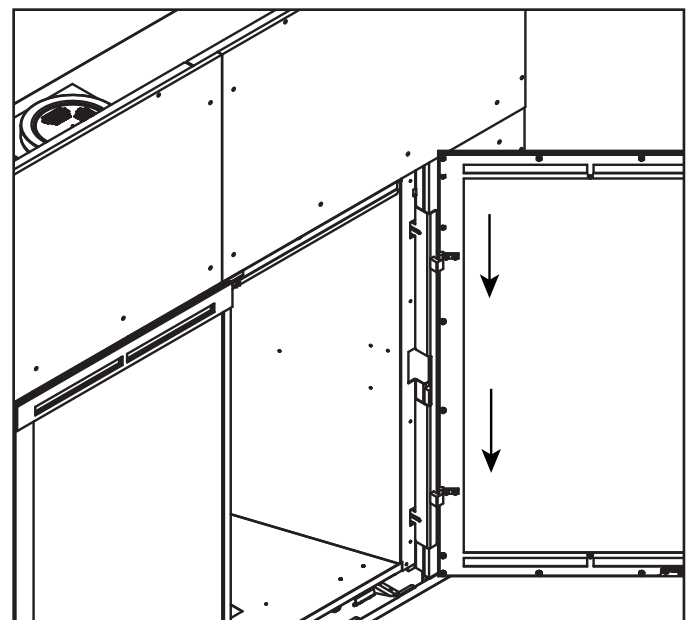


Figure 6. Installing Doors

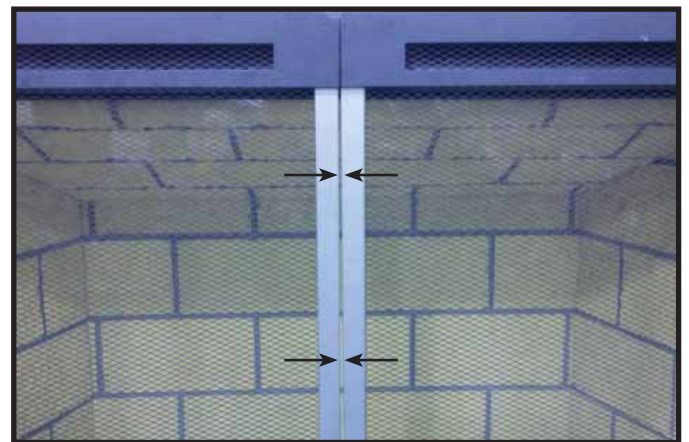


Figure 7. Uniform Spacing Between Doors

## CHILD-RESISTANT LATCH

**CAUTION! Glass is hot during operation and cool down.** These doors are supplied from the factory with parts to close them for child safety.

- To avoid burns or clothing ignition the doors must remain closed if children will be present during the operation and cool down of the fireplace.
- These instructions are to be left with a person responsible for the use and operation of the fireplace.

This door was designed with a child-resistant latch that requires two motions to disengage. It is located behind the right door handle as shown in Figure 8. When engaged, this mechanism will prevent the doors from opening.

To engage the “child lock” mechanism, slide the tab located behind the right handle to the left.

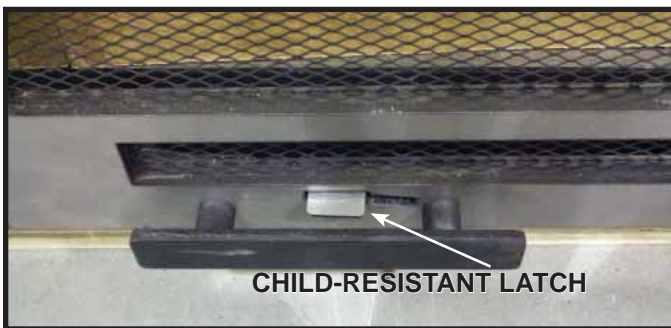


Figure 8. Child Safety Locking Tab - Front View

To disengage the “child lock” mechanism, push tab “down” and slide to the right.



Figure 9. Child Safety Locking Tab - Reverse View

## Door Hinge Adjustment

The receiver hinges on the back side of the doors can be adjusted to create uniform spacing between the doors from top to bottom. Before adjusting receiver hinges, verify that the inside threaded stud on the door is touching the inside edge of the oval slot in the receiver hinge as shown in Figure 10 and Figure 11.

**NOTE:** The nut holding the inside threaded stud in place on the receiver hinge has been removed in Figure 11 for illustration purposes.

- If the gap is larger on the top, move the top receiver hinges on both doors slightly toward the center.
- If the gap is larger on the bottom, move the bottom receiver hinges on both doors slightly toward the center.

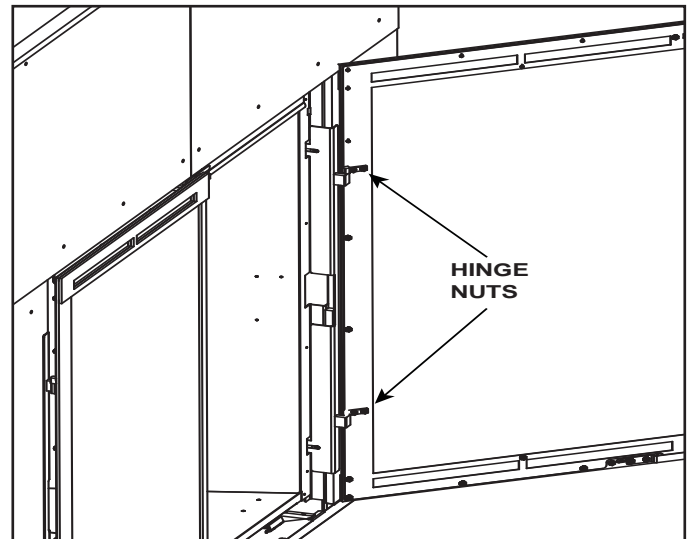


Figure 10. Hinge Adjustment - (Right Door Shown)

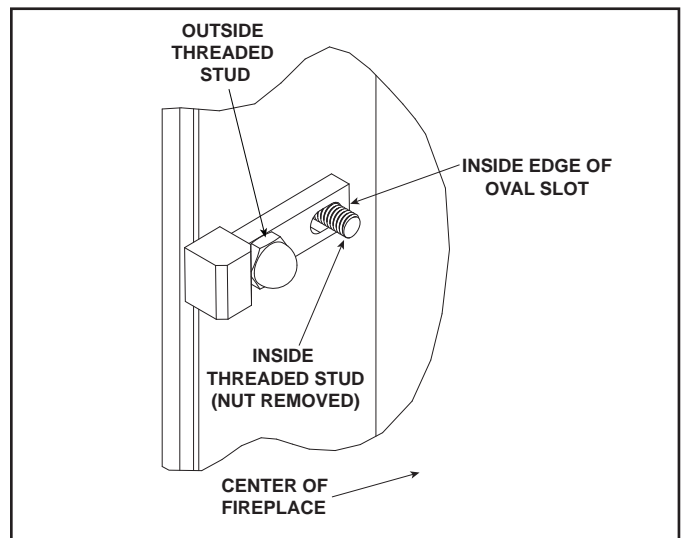


Figure 11. Top Right Door Hinge - Reverse View

## Cleaning Instructions for Doors

Use a microfiber cloth and Windex® Original Glass Cleaner or 03M003 Stove Bright® Glass Cleaner to clean the door immediately after installation to remove acids deposited by the installer or technician. Spray the cleaner onto the microfiber cloth and carefully wipe the entire surface. The door should be cleaned in this manner annually by the homeowner to remove fingerprints or other contaminants. Once oxidation of the paint pigment has occurred, cleaning will not restore the original color.

Please contact your Hearth & Home Technologies dealer with any questions or concerns. For the location of your nearest Hearth & Home Technologies dealer, please visit [www.fireside.com](http://www.fireside.com).

Hearth & Home Technologies Inc.  
7571 215th Street West, Lakeville, MN 55044  
[www.fireside.com](http://www.fireside.com)