

Model:  
SL-36-Ultimate



GAS-FIRED



This appliance has been retired.  
Service parts pages within have been removed.  
For replacement parts, please refer to the individual  
service parts list located on the brand websites.

### CAUTION



#### DO NOT DISCARD THIS MANUAL

- Important operating and maintenance instructions included.
- Read, understand and follow these instructions for safe installation and operation.
- Leave this manual with party responsible for use and operation.

**DO NOT  
DISCARD**

**⚠ WARNING: If the information in these instructions is not followed exactly, a fire or explosion may result causing property damage, personal injury, or death.**

- Do not store or use gasoline or other flammable vapors and liquids in the vicinity of this or any other appliance.
- **What to do if you smell gas**
  - Do not try to light any appliance.
  - Do not touch any electrical switch. Do not use any phone in your building.
  - Immediately call your gas supplier from a neighbor's phone. Follow the gas supplier's instructions.
  - If you cannot reach your gas supplier, call the fire department.
- Installation and service must be performed by a qualified installer, service agency, or the gas supplier.

This appliance may be installed as an OEM installation in manufactured home (USA only) or mobile home and must be installed in accordance with the manufacturer's instructions and the manufactured home construction and safety standard, *Title 24 CFR, Part 3280 or Standard for Installation in Mobile Homes, CAN/CSA Z240MH.*

*This appliance is only for use with the type(s) of gas indicated on the rating plate.*

### ⚠ WARNING



#### HOT SURFACES!

Glass and other surfaces are hot during operation AND cool down.

#### Hot glass will cause burns.

- **DO NOT** touch glass until it is cooled
  - NEVER allow children to touch glass
  - Keep children away
  - CAREFULLY SUPERVISE children in same room as fireplace.
  - Alert children and adults to hazards of high temperatures.
- High temperatures may ignite clothing or other flammable materials.**
- Keep clothing, furniture, draperies and other flammable materials away.

***This appliance has been supplied with an integral barrier to prevent direct contact with the fixed glass panel. DO NOT operate the appliance with the barrier removed.***

Contact your dealer or Hearth & Home Technologies if the barrier is not present or help is needed to properly install one.

In the Commonwealth of Massachusetts:

- installation must be performed by a licensed plumber or gas fitter;
- See Table of Contents for location of additional Commonwealth of Massachusetts requirements.



Installation and service of this appliance should be performed by qualified personnel. Hearth & Home Technologies suggests NFI certified or factory trained professionals, or technicians supervised by an NFI certified professional.

Read this manual before installing or operating this appliance.  
Please retain this owner's manual for future reference.

## Congratulations

Congratulations on selecting a Heat & Glo gas appliance—an elegant and clean alternative to wood burning appliances. The Heat & Glo gas appliance you have selected is designed to provide the utmost in safety, reliability, and efficiency.

As the owner of a new appliance, you'll want to read and carefully follow all of the instructions contained in this *Owner's Manual*. Pay special attention to all Cautions and Warnings.

This *Owner's Manual* should be retained for future reference. We suggest that you keep it with your other important documents and product manuals.

The information contained in this *Owner's Manual*, unless noted otherwise, applies to all models and gas control systems.

Your new Heat & Glo gas appliance will give you years of durable use and trouble-free enjoyment. Welcome to the Heat & Glo family of appliance products!

|   |  |
|---|--|
| <h3>Homeowner Reference Information</h3> <p>Model Name: _____ Date purchased/installed: _____</p> <p>Serial Number: _____ Location on appliance: _____</p> <p>Dealership purchased from: _____ Dealer Phone: _____</p> <p>Notes: _____</p> <p>_____</p> | <p style="text-align: center;"><i>We recommend that you record the following pertinent information about your appliance.</i></p> |
|---|--|

### Listing Label Information/Location

The model information regarding your specific appliance can be found on the rating plate usually located in the control area of the appliance.

Type of Gas →

Gas and Electric Information →

**HEAT & GLO**  
No one builds a better fire

Heat & Glo, a brand of Hearth & Home Technologies, Inc.  
7571 215th Street West, Lakeville, MN 55044

Not for use with solid fuel.  
*(Ne doit pas être utilisé avec un combustible solide).*

Type of Gas (*Sorte De Gaz*): **NATURAL GAS** This appliance must be installed in accordance with local codes, if any; if not, follow ANSI Z223.1 in the USA or CAN/CGA B149 installation codes. *(Installer l'appareil selon les codes ou règlements locaux ou, en l'absence de tels règlements, selon les codes d'installation CAN/CGA-B149.)*


**ANSI Z21XX-XXXX · CSA 2.XX-MXX · UL307B**

Minimum Permissible Gas Supply for Purposes of Input Adjustment.

|   |             |                           |
|---|-------------|---------------------------|
| Approved Minimum ( <i>De Gaz</i> ) Acceptable | 0.0 in w.c. | ( <i>Po. Col. d'eau</i> ) |
| Maximum Pressure ( <i>Pression</i> )          | 0.0 in w.c. | ( <i>Po. Col. d'eau</i> ) |
| Maximum Manifold Pressure ( <i>Pression</i> ) | 0.0 in w.c. | ( <i>Po. Col. d'eau</i> ) |
| Minimum Manifold Pressure ( <i>Pression</i> ) | 0.0 in w.c. | ( <i>Po. Col. d'eau</i> ) |

Total Electrical Requirements: 000Vac, 00Hz., less than 00 Amperes

**GAS-FIRED**



|                  |            |           |              |
|------------------|------------|-----------|--------------|
| ALTITUDE:        | 0-0000 FT. | IN CANADA | 0000-0000FT. |
| MAX. INPUT BTUH: | 00,000     |           | 00,000       |
| MIN. INPUT BTUH: | 00,000     |           | 00,000       |
| ORIFICE SIZE:    | #XXXXX     |           | #XXXXX       |

**Model:**  
*(Modele):*   XXXXXXXXX

---

**Serial:**  
*(Serie):*   XXXXXXXXX

Model Number →

Serial Number →

MADE IN USA

# Table of Contents

|  |      |
|--|------|
| <b>1 Listing and Code Approvals</b>                                |      |
| A. Appliance Certification . . . . .                               | 4    |
| B. Glass Specifications . . . . .                                  | 4    |
| C. BTU Specifications . . . . .                                    | 4    |
| D. High Altitude Installations . . . . .                           | 4    |
| E. Non-Combustible Materials Specification . . . . .               | 4    |
| F. Combustible Materials Specification . . . . .                   | 4    |
| G. Electrical Codes . . . . .                                      | 4    |
| H. Requirements for the Commonwealth of Massachusetts . . . . .    | 5    |
| <b>2 Getting Started</b>   |      |
| A. Design and Installation Considerations . . . . .                | 6    |
| B. Tools and Supplies Needed . . . . .                             | 6    |
| C. Inspect Appliance and Components . . . . .                      | 6    |
| D. Inspect Firebox . . . . .                                       | 7    |
| <b>3 Framing and Clearances</b>                                    |      |
| A. Selecting Appliance Location . . . . .                          | 8    |
| B. Constructing the Appliance Chase . . . . .                      | 9    |
| C. Clearances . . . . .  | 9    |
| D. Mantel Projections . . . . .                                    | 10   |
| <b>4 Termination Locations</b>                                     |      |
| → A. Vent Termination Minimum Clearances . . . . .                 | 11   |
| <b>5 Vent Information and Diagrams</b>                             |      |
| A. Vent Table Key . . . . .  | 13   |
| B. Use of Elbows . . . . .   | 13   |
| C. Measuring Standards . . . . .                                   | 13   |
| D. Vent Diagrams . . . . .   | 14   |
| <b>6 Vent Clearances and Framing</b>                               |      |
| A. Pipe Clearances to Combustibles . . . . .                       | 18   |
| B. Wall Penetration Framing . . . . .                              | 18   |
| C. Vertical Penetration Framing . . . . .                          | 19   |
| <b>7 Appliance Preparation</b>                                     |      |
| A. Removing Non-combustible Facing Material Assembly . . . . .     | 20   |
| → B. Installing the Optional Heat-Zone® Gas Kit . . . . .          | 20   |
| C. Securing and Leveling the Appliance . . . . .                   | 20   |
| D. Installing Non-combustible Facing Material . . . . .            | 21   |
| <b>8 Installing Vent Pipe</b>                                      |      |
| A. Assembly of Vent Sections . . . . .                             | 22   |
| B. Disassembly of Vent Sections . . . . .                          | 24   |
| C. Installing Heat Shield and Horizontal Termination Cap . . . . . | 25   |
| D. Installing Roof Flashing and Vertical Termination Cap . . . . . | 26   |
| <b>9 Gas Information</b>   |      |
| A. Fuel Conversions . . . . .                                      | 28   |
| B. Gas Pressures . . . . .   | 28   |
| C. Gas Connection . . . . .  | 28   |
| <b>10 Electrical Information</b>                                   |      |
| A. Recommendation for Wire . . . . .                               | 30   |
| B. Connecting to the Appliance . . . . .                           | 30   |
| C. Intellifire Ignition System Wiring . . . . .                    | 30   |
| D. Optional Accessories Requirements . . . . .                     | 31   |
| E. WSK-MLT Wall Switch Kit . . . . .                               | 31 ← |
| F. Junction Box Installation . . . . .                             | 34   |
| <b>11 Finishing</b>  |      |
| A. Mantel Projections . . . . .                                    | 35   |
| B. Facing Material . . . . .                                       | 35   |
| <b>12 Appliance Setup</b>  |      |
| A. Remove Shipping Materials . . . . .                             | 36   |
| B. Clean the Appliance . . . . .                                   | 36   |
| C. Accessories . . . . .   | 36   |
| D. Ember Placement . . . . .                                       | 36   |
| E. Positioning the Logs . . . . .                                  | 37   |
| F. Glass Assembly . . . . .  | 40   |
| G. Burner Removal (Only for Servicing) . . . . .                   | 40   |
| H. Grilles and Trim . . . . .                                      | 41   |
| I. Air Shutter Setting . . . . .                                   | 41   |
| <b>13 Operating Instructions</b>                                   |      |
| A. Before Lighting Appliance . . . . .                             | 42   |
| B. Lighting Appliance . . . . .                                    | 43   |
| C. After Appliance is Lit . . . . .                                | 44   |
| D. Frequently Asked Questions . . . . .                            | 44   |
| <b>14 Troubleshooting</b>  |      |
| A. Intellifire Ignition System . . . . .                           | 45   |
| <b>15 Maintaining and Servicing Appliance</b>                      |      |
| A. Maintenance Tasks . . . . .                                     | 48   |
| <b>16 Reference Materials</b>                                      |      |
| A. Appliance Dimension Diagram . . . . .                           | 49 ← |
| B. Vent Components Diagrams . . . . .                              | 50   |
| C. Service Parts List . . . . .                                    | 55 ← |
| D. Limited Lifetime Warranty . . . . .                             | 56   |
| E. Contact Information . . . . .                                   | 58   |

→ = Contains updated information.

# 1 Listing and Code Approvals

## A. Appliance Certification

**MODELS:** SL-36-Ultimate

**LABORATORY:** Underwriters Laboratories, Inc. (UL)

**TYPE:** Direct Vent Gas Appliance Heater

**STANDARD:** ANSI Z21.88-2002 • CSA2.33-M02 • UL307B

This product is listed to ANSI standards for “Vented Gas Appliance Heaters” and applicable sections of “Gas Burning Heating Appliances for Manufactured Homes and Recreational Vehicles”, and “Gas Fired Appliances for Use at High Altitudes”.

### NOT INTENDED FOR USE AS A PRIMARY HEAT SOURCE.

This appliance is tested and approved as either supplemental room heat or as a decorative appliance. It should not be factored as primary heat in residential heating calculations.

**Note:** This installation must conform with local codes. In the absence of local codes you must comply with the National Fuel Gas Code, ANSI Z223.1-latest edition in the U.S.A. and the CAN/CGA B149 Installation Codes in Canada.

## B. Glass Specifications

This appliance is equipped with 5 mm ceramic glass. Replace glass only with 5 mm ceramic glass. Please contact your dealer for replacement glass.

## C. BTU Specifications

| Models<br>(U.S. or Canada) |                          | Maximum<br>Input<br>BTU/h | Minimum<br>Input<br>BTU/h | Orifice<br>Size<br>(DMS) |
|----------------------------|--------------------------|---------------------------|---------------------------|--------------------------|
| SL-36-Ultimate (NG)        | US<br>(0-2000 FT)        | 37,000                    | 26,000                    | 32                       |
|                            | CANADA<br>(2000-4500 FT) | 33,300                    | 21,600                    | 33                       |

## D. High Altitude Installations

U.L. Listed gas appliances are tested and approved without requiring changes for elevations from 0 to 2000 feet in the U.S.A. and Canada.

When installing this appliance at an elevation above 2000 feet, it may be necessary to decrease the input rating by changing the existing burner orifice to a smaller size. Input rate should be reduced by 4% for each 1000 feet above a 2000 foot elevation in the U.S.A., or 10% for elevations between 2000 and 4500 feet in Canada. If the heating value of the gas has been reduced, these rules do not apply. To identify the proper orifice size, check with the local gas utility.

If installing this appliance at an elevation above 4500 feet (in Canada), check with local authorities.

### WARNING

Do NOT use this appliance if any part has been under water. Immediately call a qualified service technician to inspect the appliance and to replace any part of the control system and any gas control which has been under water.

## E. Non-Combustible Materials Specification

Material which will not ignite and burn. Such materials are those consisting entirely of steel, iron, brick, tile, concrete, slate, glass or plasters, or any combination thereof.

Materials that are reported as passing **ASTM E 136, Standard Test Method for Behavior of Materials in a Vertical Tube Furnace at 750°C**, shall be considered non-combustible materials.

## F. Combustible Materials Specification

Materials made of or surfaced with wood, compressed paper, plant fibers, plastics, or other material that can ignite and burn, whether flame proofed or not, or whether plastered or unplastered shall be considered combustible materials.

## G. Electrical Codes

**NOTICE:** This appliance must be electrically wired and grounded in accordance with local codes or, in the absence of local codes, with **National Electric Code ANSI/NFPA 70-latest edition or the Canadian Electric Code CSA C22.1.**

- A 110-120 VAC circuit for this product must be protected with ground-fault circuit-interrupter protection, in compliance with the applicable electrical codes, when it is installed in locations such as in bathrooms or near sinks.

**Note:** The following requirements reference various Massachusetts and national codes not contained in this document.

## H. Requirements for the Commonwealth of Massachusetts

For all side wall horizontally vented gas fueled equipment installed in every dwelling, building or structure used in whole or in part for residential purposes, including those owned or operated by the Commonwealth and where the side wall exhaust vent termination is less than seven (7) feet above finished grade in the area of the venting, including but not limited to decks and porches, the following requirements shall be satisfied:

### Installation of Carbon Monoxide Detectors

At the time of installation of the side wall horizontal vented gas fueled equipment, the installing plumber or gas fitter shall observe that a hard wired carbon monoxide detector with an alarm and battery back-up is installed on the floor level where the gas equipment is to be installed. In addition, the installing plumber or gas fitter shall observe that a battery operated or hard wired carbon monoxide detector with an alarm is installed on each additional level of the dwelling, building or structure served by the side wall horizontal vented gas fueled equipment. It shall be the responsibility of the property owner to secure the services of qualified licensed professionals for the installation of hard wired carbon monoxide detectors.

In the event that the side wall horizontally vented gas fueled equipment is installed in a crawl space or an attic, the hard wired carbon monoxide detector with alarm and battery back-up may be installed on the next adjacent floor level.

In the event that the requirements of this subdivision can not be met at the time of completion of installation, the owner shall have a period of thirty (30) days to comply with the above requirements; provided, however, that during said thirty (30) day period, a battery operated carbon monoxide detector with an alarm shall be installed.

### Approved Carbon Monoxide Detectors

Each carbon monoxide detector as required in accordance with the above provisions shall comply with NFPA 720 and be ANSI/UL 2034 listed and IAS certified.

### Signage

A metal or plastic identification plate shall be permanently mounted to the exterior of the building at a minimum height of eight (8) feet above grade directly in line with the exhaust vent terminal for the horizontally vented gas fueled heating appliance or equipment. The sign shall read, in print size no less than one-half (1/2) inch in size, "**GAS VENT DIRECTLY BELOW. KEEP CLEAR OF ALL OBSTRUCTIONS**".

## Inspection

The state or local gas inspector of the side wall horizontally vented gas fueled equipment shall not approve the installation unless, upon inspection, the inspector observes carbon monoxide detectors and signage installed in accordance with the provisions of 248 CMR 5.08(2)(a)1 through 4.

## Exemptions

The following equipment is exempt from 248 CMR 5.08(2)(a)1 through 4:

- The equipment listed in Chapter 10 entitled "Equipment Not Required To Be Vented" in the most current edition of NFPA 54 as adopted by the Board; and
- Product Approved side wall horizontally vented gas fueled equipment installed in a room or structure separate from the dwelling, building or structure used in whole or in part for residential purposes.

## MANUFACTURER REQUIREMENTS

### Gas Equipment Venting System Provided

When the manufacturer of Product Approved side wall horizontally vented gas equipment provides a venting system design or venting system components with the equipment, the instructions provided by the manufacturer for installation of the equipment and the venting system shall include:

- Detailed instructions for the installation of the venting system design or the venting system components; and
- A complete parts list for the venting system design or venting system.

### Gas Equipment Venting System **NOT** Provided

When the manufacturer of a Product Approved side wall horizontally vented gas fueled equipment does not provide the parts for venting the flue gases, but identifies "special venting systems", the following requirements shall be satisfied by the manufacturer:

- The referenced "special venting system" instructions shall be included with the appliance or equipment installation instructions; and
- The "special venting systems" shall be Product Approved by the Board, and the instructions for that system shall include a parts list and detailed installation instructions.

A copy of all installation instructions for all Product Approved side wall horizontally vented gas fueled equipment, all venting instructions, all parts lists for venting instructions, and/or all venting design instructions shall remain with the appliance or equipment at the completion of the installation.

**See Gas Connection section for additional Commonwealth of Massachusetts requirements.**

## 2 Getting Started

### A. Design and Installation Considerations

Heat & Glo direct vent gas appliances are designed to operate with all combustion air siphoned from outside of the building and all exhaust gases expelled to the outside. No additional outside air source is required.

#### CAUTION

Check building codes prior to installation.

- Installation **MUST** comply with local, regional, state and national codes and regulations.
- Consult local building, fire officials or authorities having jurisdiction about restrictions, installation inspection, and permits.

When planning an appliance installation, it's necessary to determine the following information before installing:

- Where the appliance is to be installed.
- The vent system configuration to be used.
- Gas supply piping.
- Electrical wiring.
- Framing and finishing details.
- Whether optional accessories—devices such as a fan, wall switch, or remote control—are desired.



#### WARNING

Keep appliance dry.

- Mold or rust may cause odors.
- Water may damage controls.



### B. Tools and Supplies Needed

Before beginning the installation be sure that the following tools and building supplies are available.

- |                      |                                   |
|----------------------|-----------------------------------|
| Reciprocating saw    | Framing material                  |
| Pliers               | Noncorrosive leak check solution  |
| Hammer               | Flat blade screwdriver            |
| Phillips screwdriver | Framing square                    |
| Gloves               | Electric drill and bits (1/4 in.) |
| Plumb line           | Safety glasses                    |
| Level                | Manometer                         |
| Voltmeter            | Tape measure                      |
- Caulking material (300°F minimum continuous exposure rating)
- 1/2 - 3/4 inch length, #6 or #8 Self-drilling screws

### C. Inspect Appliance and Components

#### WARNING



Inspect appliance and components for damage. Damaged parts may impair safe operation.

- Do NOT install damaged components.
  - Do NOT install incomplete components.
  - Do NOT install substitute components.
- Report damaged parts to dealer.



- Carefully remove the appliance and components from the packaging.
- The vent system components and trim doors are shipped in separate packages.
- The gas logs may be packaged separately and must be field installed.
- Report to your dealer any parts damaged in shipment, particularly the condition of the glass.
- **Read all of the instructions before starting the installation. Follow these instructions carefully during the installation to ensure maximum safety and benefit.**

#### WARNING



Hearth & Home Technologies disclaims any responsibility for, and the warranty will be voided by, the following actions:

- Installation and use of any damaged appliance or vent system component.
- Modification of the appliance or vent system.
- Installation other than as instructed by Hearth & Home Technologies.
- Improper positioning of the gas logs or the glass door.
- Installation and/or use of any component part not approved by Hearth & Home Technologies.

**Any such action may cause a fire hazard.**

## D. Inspect Firebox

Surface cracking or crazing of firebrick material is normal and expected. The following types of cracks are acceptable and do not require replacement of the unit or the firebox:

- Cracks that do not propagate entirely through the material.
- Light fracture lines or “spider-webbing” on the surface of the material.
- Cracks that are less than 1/32 in. wide and less than 3 in. long.
- If cosmetically unacceptable, such cracks may be repaired with the SRV-PACK service kit. See Service Parts List.

Cracks that are unacceptable:

- Cracks greater than 1/32 in. wide and 3 in. long are at risk of growing.
- Cracks that penetrate entirely through the firebrick material.

Inspection for cracking should be run when the appliance is cool. Cracks tend to close as the appliance heats up.

# 3 Framing and Clearances

**Note:**

- Illustrations reflect typical installations and are FOR DESIGN PURPOSES ONLY.
- Illustrations/diagrams are not drawn to scale.
- Actual installation may vary due to individual design preference.

## A. Selecting Appliance Location

When selecting a location for your appliance it is important to consider the required clearances to walls (see figure 3.1).

### ⚠ WARNING



**Fire Risk**

Provide adequate clearance:

- Around air openings
- To combustibles
- For service access

Locate appliance away from traffic areas.

**Note:** For actual appliance dimensions refer to Section 16.

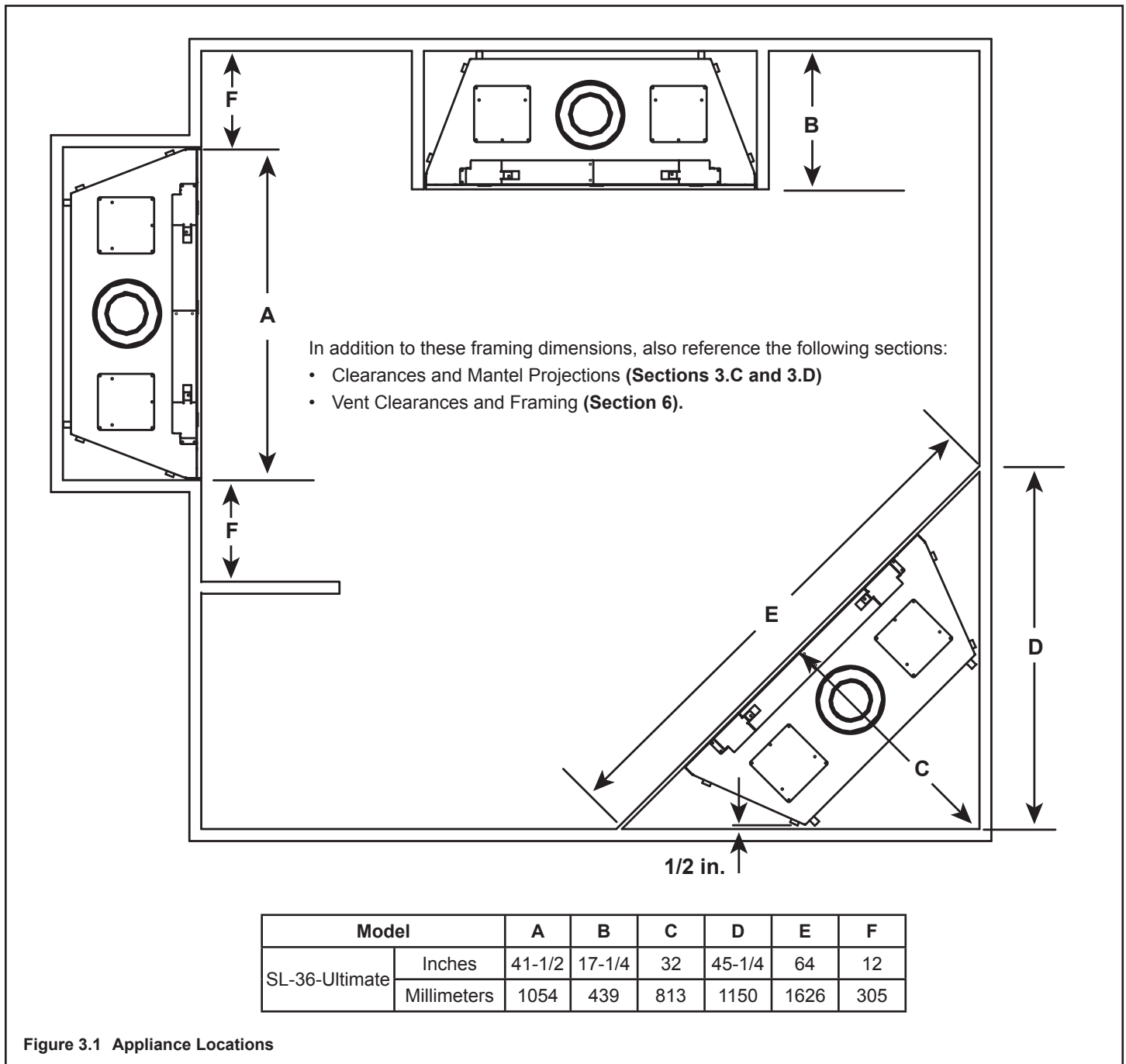


Figure 3.1 Appliance Locations



## B. Constructing the Appliance Chase

A chase is a vertical boxlike structure built to enclose the gas appliance and/or its vent system. Vertical vents that run on the outside of a building may be, but are not required to be, installed inside a chase.

Construction of the chase may vary with the type of building. These instructions are not substitutes for the requirements of local building codes. Local building codes **MUST** be checked.

Chases should be constructed in the manner of all outside walls of the home to prevent cold air drafting problems. The chase should not break the outside building envelope in any manner.

Walls, ceiling, base plate and cantilever floor of the chase should be insulated. Vapor and air infiltration barriers should be installed in the chase as per regional codes for the rest of the home. Additionally, in regions where cold air infiltration may be an issue, the inside surfaces may be sheetrocked and taped for maximum airtightness.

To further prevent drafts, the wall shield and ceiling firestops should be caulked with caulk with a minimum of 300°F continuous exposure rating to seal gaps. Gas line holes and other openings should be caulked with caulk with a minimum of 300°F continuous exposure rat-

ing or stuffed with unfaced insulation. If the appliance is being installed on a cement surface, a layer of plywood may be placed underneath to prevent conducting cold up into the room.

## C. Clearances

**⚠ WARNING**

Fire Risk.  
Odor Risk.

- Install appliance on hard metal or wood surfaces extending full width and depth of appliance.
- Do NOT install appliance directly on carpeting, vinyl, tile or any combustible material other than wood.

**⚠ WARNING**

Fire Risk.

- Construct chase to all clearance specifications in manual.
- Locate and install appliance to all clearance specifications in manual.

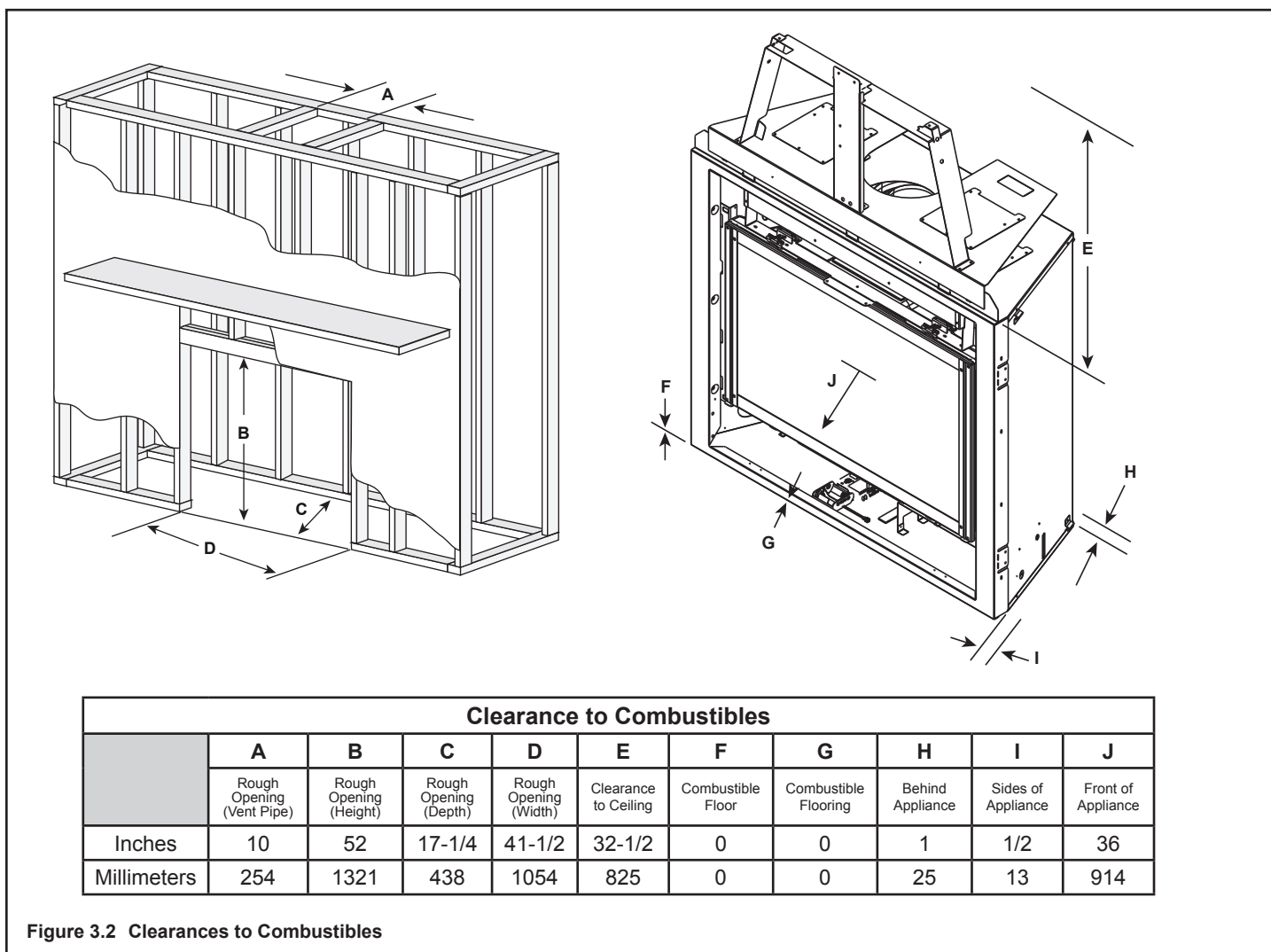
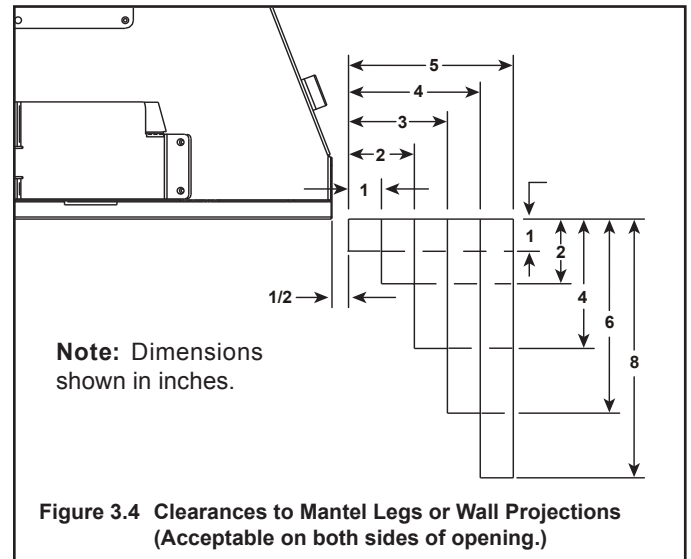
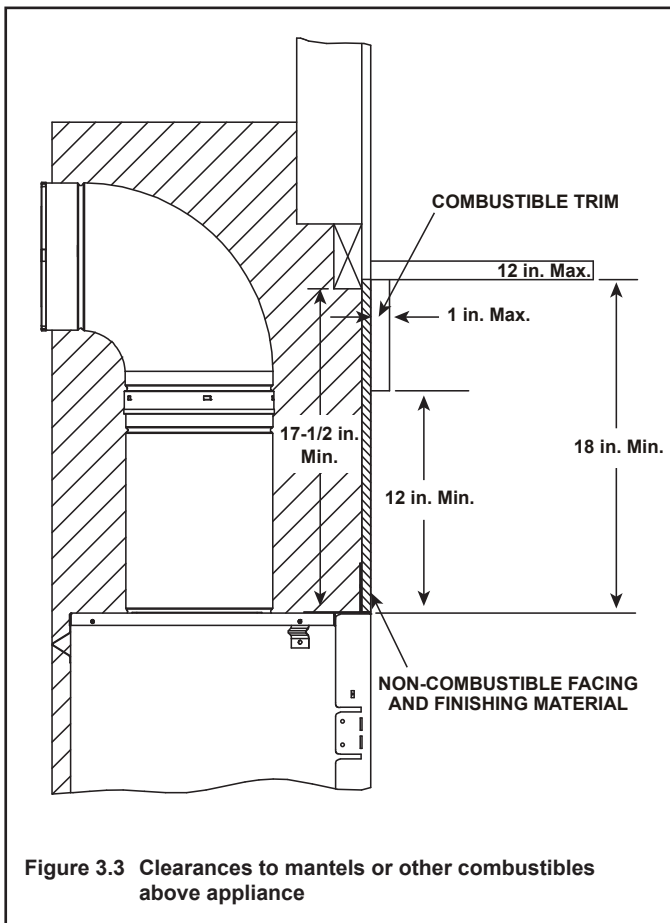


Figure 3.2 Clearances to Combustibles

## D. Mantel Projections



# 4 Termination Locations

## A. Vent Termination Minimum Clearances

**WARNING**

**Fire Risk.**  
**Explosion Risk.**  
 Inspect external vent cap regularly.

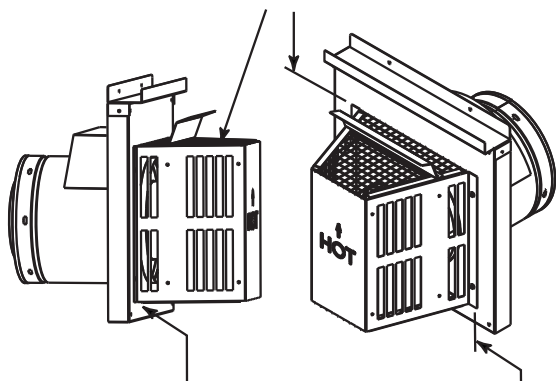
- Ensure no debris blocks cap.
- Combustible materials blocking cap may ignite.
- Restricted air flow affects burner operation.

**WARNING**

**Fire Risk.**  
**Explosion Risk.**  
 Maintain vent clearance to combustibles as specified.

- Do not pack air space with insulation or other materials.
- Failure to keep insulation or other materials away from vent pipe may cause fire.

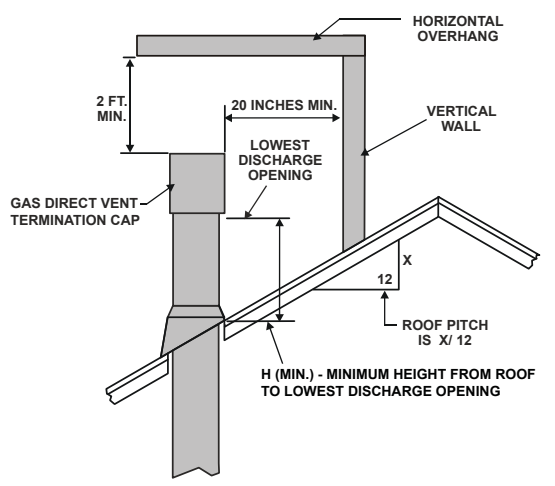
Measure vertical clearances from this surface.



Measure horizontal clearances from this surface.

(See Figure 4.4 for specific clearances)

**Figure 4.1**



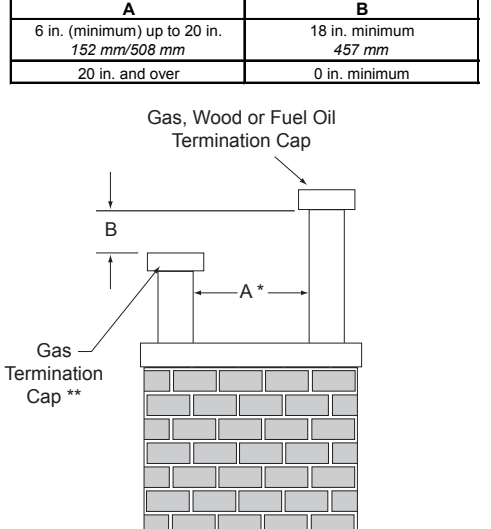
| Roof Pitch          | H (Min.) Ft. |
|---------------------|--------------|
| Flat to 6/12        | 1.0*         |
| Over 6/12 to 7/12   | 1.25*        |
| Over 7/12 to 8/12   | 1.5*         |
| Over 8/12 to 9/12   | 2.0*         |
| Over 9/12 to 10/12  | 2.5          |
| Over 10/12 to 11/12 | 3.25         |
| Over 11/12 to 12/12 | 4.0          |
| Over 12/12 to 14/12 | 5.0          |
| Over 14/12 to 16/12 | 6.0          |
| Over 16/12 to 18/12 | 7.0          |
| Over 18/12 to 20/12 | 7.5          |
| Over 20/12 to 21/12 | 8.0          |

\* 3 foot minimum in snow regions

**Figure 4.2 Minimum height from roof to lowest discharge opening**

Figure 4.2 specifies minimum vent heights for various pitched roofs.

| A   | B                        |
|---|--------------------------|
| 6 in. (minimum) up to 20 in.<br>152 mm/508 mm | 18 in. minimum<br>457 mm |
| 20 in. and over                               | 0 in. minimum            |



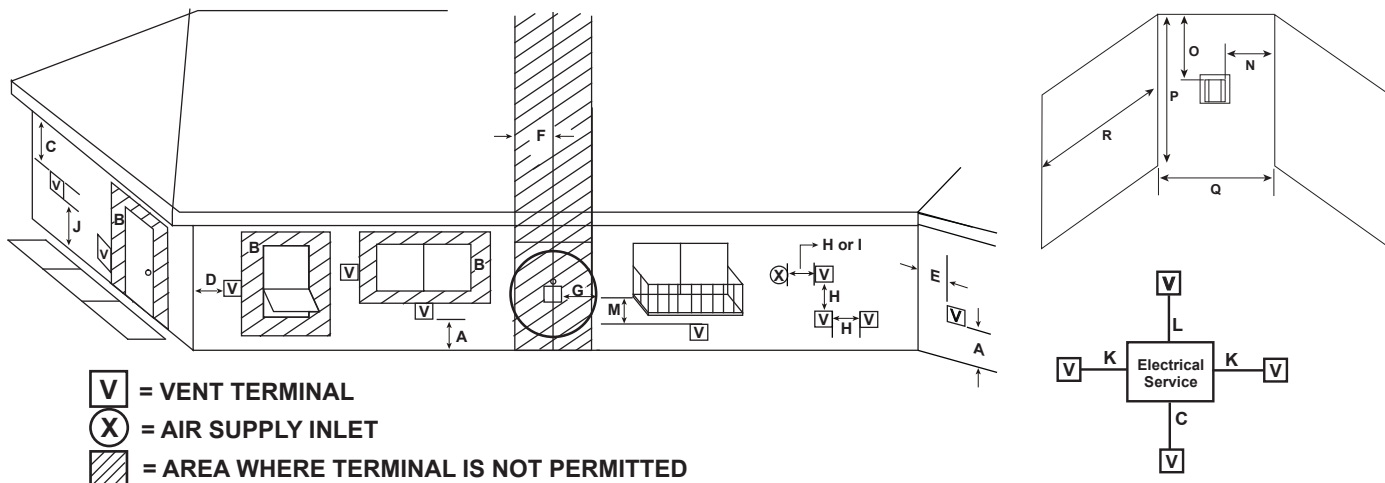
Gas, Wood or Fuel Oil Termination Cap

Gas Termination Cap \*\*

\* If using decorative cap cover(s), this distance may need to be increased. Refer to the installation instructions supplied with the decorative cap cover.

\*\* In a staggered installation with both gas and wood or fuel oil terminations, the wood or fuel oil termination cap must be higher than the gas termination cap.

**Figure 4.3 Staggered Termination Caps**



- A = 12 inches.....clearances above grade, veranda, porch, deck or balcony
- B = 12 inches.....clearance to window or door that may be opened, or to permanently closed window.
- C = 18 inches.....clearance below unventilated soffit  
 18 inches.....clearance below ventilated soffit  
 30 inches.....clearance below vinyl soffits and electrical service
- D = 6 inches.....clearance to outside corner
- E = 6 inches.....clearance to inside corner
- F = 3 ft. (Canada).....not to be installed above a gas meter/regulator assembly within 3 feet horizontally from the center-line of the regulator
- G = 3 ft.....clearance to gas service regulator vent outlet
- H = 12 inches.....clearance to non-mechanical (unpowered) air supply inlet, combustion air inlet or direct-vent termination
- i = 3 ft. (U.S.A.)  
 6 ft. (Canada).....clearance to a mechanical (powered) air supply inlet

All mechanical air intakes within 10 feet of a termination cap must be a minimum of 3 feet below termination.

J = 7 ft..... On **public** property: clearance above paved sidewalk or a paved driveway.

A vent shall not terminate directly above a sidewalk or paved driveway which is located between two single family dwellings and serves both dwellings.

K = 6 inches.....clearance from sides of electrical service  
 L = 12 inches.....clearance above electrical service  
 Location of the vent termination must not interfere with access to the electrical service.

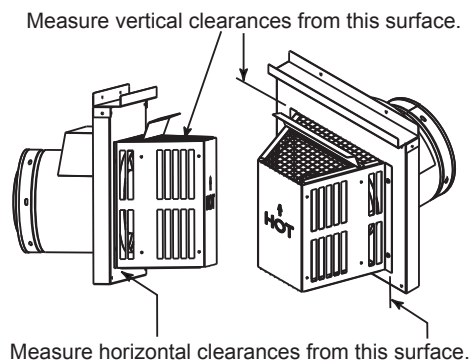
M = 18 inches ..... clearance under veranda, porch, deck, balcony or overhang  
 42 inches .....vinyl or composite overhang  
 Permitted when veranda, porch, deck or balcony is fully open on a minimum of 2 sides beneath the floor.

### Covered Alcove Applications

(Spaces open only on one side and with an overhang)

- N = 6 inches ..... non-vinyl sidewalls  
 12 inches ..... vinyl sidewalls
- O = 18 inches ..... non-vinyl soffit and overhang  
 42 inches ..... vinyl soffit and overhang
- P = 8 ft.

|  | $Q_{MIN}$ | $R_{MAX}$               |
|--|-----------|-------------------------|
| 1 cap  | 3 feet    | $2 \times Q_{ACTUAL}$   |
| 2 caps   | 6 feet    | $1 \times Q_{ACTUAL}$   |
| 3 caps   | 9 feet    | $2/3 \times Q_{ACTUAL}$ |
| 4 caps   | 12 feet   | $1/2 \times Q_{ACTUAL}$ |
| $Q_{MIN} = \# \text{ termination caps} \times 3$ $R_{MAX} = (2 / \# \text{ termination caps}) \times Q_{ACTUAL}$ |           |                         |



**CAUTION! Risk of Burns!** Termination caps are **HOT**. consider proximity to doors, traffic areas or where people may pass or gather (sidewalk, deck, patio, etc.). Listed cap shields available. Contact your dealer.

- Local codes or regulations may require different clearances.
- Vent system termination is **NOT** permitted in screened porches.
- Vent system termination is permitted in porch areas with two or more sides open.
- Hearth & Home Technologies assumes no responsibility for the improper performance of the appliance when the venting system does not meet these requirements.
- Vinyl protection kits are suggested for use with vinyl siding.

➔ **Figure 4.4 Minimum Clearances for Termination**

# 5 Vent Information and Diagrams

## A. Vent Table Key

The abbreviations listed in this vent table key are used in the vent diagrams.

| Symbol         | Description   |
|----------------|---|
| V <sub>1</sub> | First section (closest to appliance) of vertical length   |
| V <sub>2</sub> | Second section of vertical length                         |
| H <sub>1</sub> | First section (closest to appliance) of horizontal length |
| H <sub>2</sub> | Second section of horizontal length                       |

### ⚠ WARNING



Fire Hazard.

Explosion Risk.

Asphyxiation Risk.

Do NOT connect this gas appliance to a chimney flue serving a separate solid-fuel or gas burning appliance.



- Vent this appliance directly outside.
  - Use separate vent system for this appliance.
- May impair safe operation of this appliance or other appliances connected to the flue.

## B. Use of Elbows

### CAUTION

ALL vent configuration specifications MUST be followed.

- This product is tested and listed to these specifications.
- Appliance performance will suffer if specifications are not followed.

Diagonal runs have both vertical and horizontal vent aspects when calculating the effects. Use the rise for the vertical aspect and the run for the horizontal aspect (see Figure 5.1).

Two 45° elbows may be used in place of one 90° elbow. On 45° runs, one foot of diagonal is equal to 8-1/2 (216 mm) inches horizontal run and 8-1/2 (216 mm) inches vertical run. A length of straight pipe is allowed between two 45° elbows (see Figure 5.1).

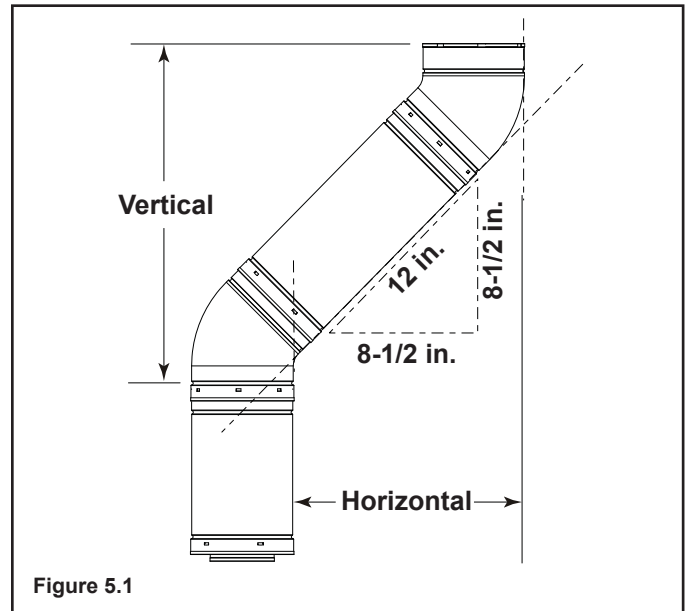


Figure 5.1

## C. Measuring Standards

Vertical and horizontal measurements listed in the vent diagrams were made using the following standards.

1. Pipe measurements are shown using the effective length of pipe (see Figure 5.2).
2. Measurements are made from the appliance outer wrap, not from the standoffs.
3. Horizontal terminations are measured to the outside mounting surface (flange of termination cap) (see Figure 4.1).
4. Vertical terminations are measured to bottom of termination cap.
5. Horizontal pipe installed level with no rise.

| Pipe    | Effective Length |             |
|---------|------------------|-------------|
|         | Inches           | Millimeters |
| DVP4    | 4                | 102         |
| DVP6    | 6                | 152         |
| DVP12   | 12               | 305         |
| DVP24   | 24               | 610         |
| DVP36   | 36               | 914         |
| DVP48   | 48               | 1219        |
| DVP6A   | 3 to 6           | 76 to 152   |
| DVP12A  | 3 to 12          | 76 to 305   |
| DVP12MI | 3 to 12          | 76 to 305   |
| DVP24MI | 3 to 24          | 76 to 610   |

Figure 5.2 DVP Pipe Effective Length

## D. Vent Diagrams

### ⚠ WARNING



Fire Risk. Explosion Risk.

Do NOT pack insulation or other combustibles between ceiling firestops.

- ALWAYS maintain specified clearances around venting and firestop systems.
- Install wall shield and ceiling firestops as specified.

Failure to keep insulation or other material away from vent pipe may cause fire.



## 1. Top Vent - Horizontal Termination

### One Elbow

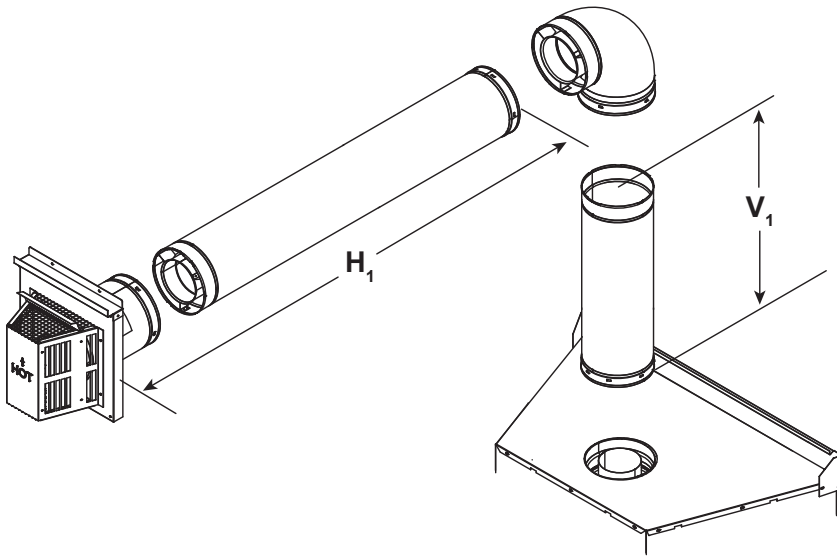


Figure 5.3

| V <sub>1</sub> Minimum |        | H <sub>1</sub> Maximum |        |
|------------------------|--------|------------------------|--------|
| 1-1/2 ft.              | 457 mm | 3 ft                   | 924 mm |
| 2-1/2 ft.              | 762 mm | 6 ft                   | 1.8 m  |
| 3-1/2 ft.              | 1.7 m  | 9 ft                   | 2.7 m  |
| 4 ft.                  | 1.2 m  | 10 ft                  | 3.1 m  |
| 4-1/2 ft.              | 1.4 m  | 12 ft                  | 3.7 m  |
| 5-1/2 ft.              | 1.7 m  | 15 ft                  | 4.6 m  |
| 6-1/2 ft.              | 2 m    | 18 ft                  | 5.5 m  |
| 7-1/2 ft.              | 2.3 m  | 21 ft                  | 6.4 m  |

H<sub>1</sub> = 21 ft. (6.4 m) Maximum  
 V<sub>1</sub> = 40 ft. (12.2 m) Maximum  
 V<sub>1</sub> + H<sub>1</sub> = 30 ft. (9.1 m) Maximum\*

**Note:** Must have a 18 inches minimum vertical vent before attaching a 90° elbow to the unit.

\* If the horizontal component is less than 5 feet then the total vent run can be extended to 40 feet.

### Two Elbows

**Note:** Must have a 18 inches minimum vertical vent before attaching a 90° elbow to the unit.

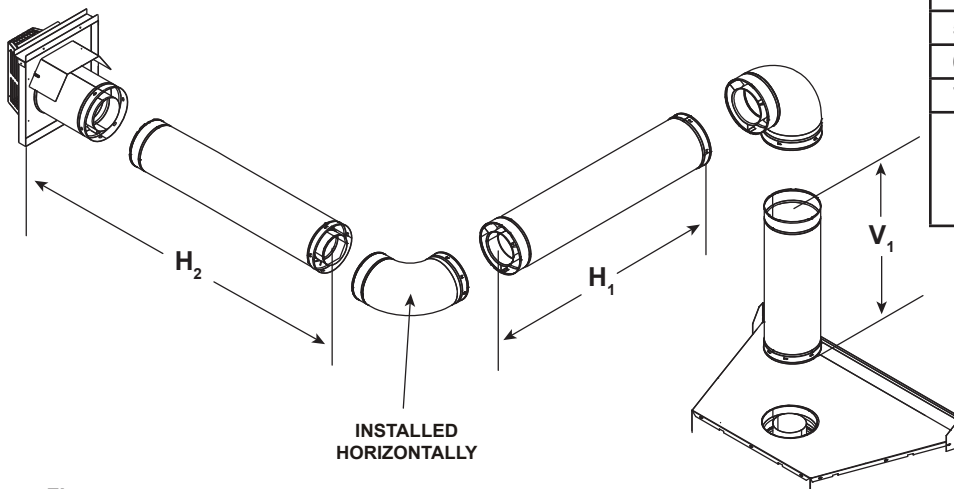


Figure 5.4

| V <sub>1</sub> Minimum |        | H <sub>1</sub> + H <sub>2</sub> Maximum |        |
|------------------------|--------|---|--------|
| 1-1/2 ft.              | 457 mm | 3 ft                                    | 924 mm |
| 2-1/2 ft.              | 762 mm | 6 ft                                    | 1.8 m  |
| 3-1/2 ft.              | 1.7 m  | 9 ft                                    | 2.7 m  |
| 4 ft.                  | 1.2 m  | 10 ft                                   | 3.1 m  |
| 4-1/2 ft.              | 1.4 m  | 12 ft                                   | 3.7 m  |
| 5-1/2 ft.              | 1.7 m  | 15 ft                                   | 4.6 m  |
| 6-1/2 ft.              | 2 m    | 18 ft                                   | 5.5 m  |
| 7-1/2 ft.              | 2.3 m  | 21 ft                                   | 6.4 m  |

V<sub>1</sub> = 40 ft. (12.2 m) Maximum  
 H<sub>1</sub> + H<sub>2</sub> = 21 ft. (6.4 m) Maximum  
 V<sub>1</sub> + H<sub>1</sub> + H<sub>2</sub> = 30 ft. (9.1 m) Maximum\*

\* If the horizontal component is less than 5 feet then the total vent run can be extended to 40 feet.

# 1. Top Vent - Horizontal Termination - (continued)

## Three Elbows

**Note:** A section of vertical pipe (18 inches minimum) MUST be installed prior to attaching a 90° elbow.

| $V_T$ Min.  | $H_T$ Max. |
|---|------------|
| 1 ft. 6 in.   | 3 ft.      |
| 2 ft. 6 in.   | 6 ft.      |
| 3 ft. 6 in.   | 9 ft.      |
| 4 ft.   | 10 ft.     |
| 4 ft. 6 in.   | 12 ft.     |
| 5 ft. 6 in.   | 15 ft.     |
| 6 ft. 6 in.   | 18 ft.     |
| 7 ft. 6 in.   | 21 ft.     |
| $H_T = 21$ ft. Max<br>$V_T = 40$ ft. Max<br>$V_T + H_T = 30$ ft. Max* |            |

\* If the horizontal component is less than 5 feet then the total vent run can be extended to 40 feet.

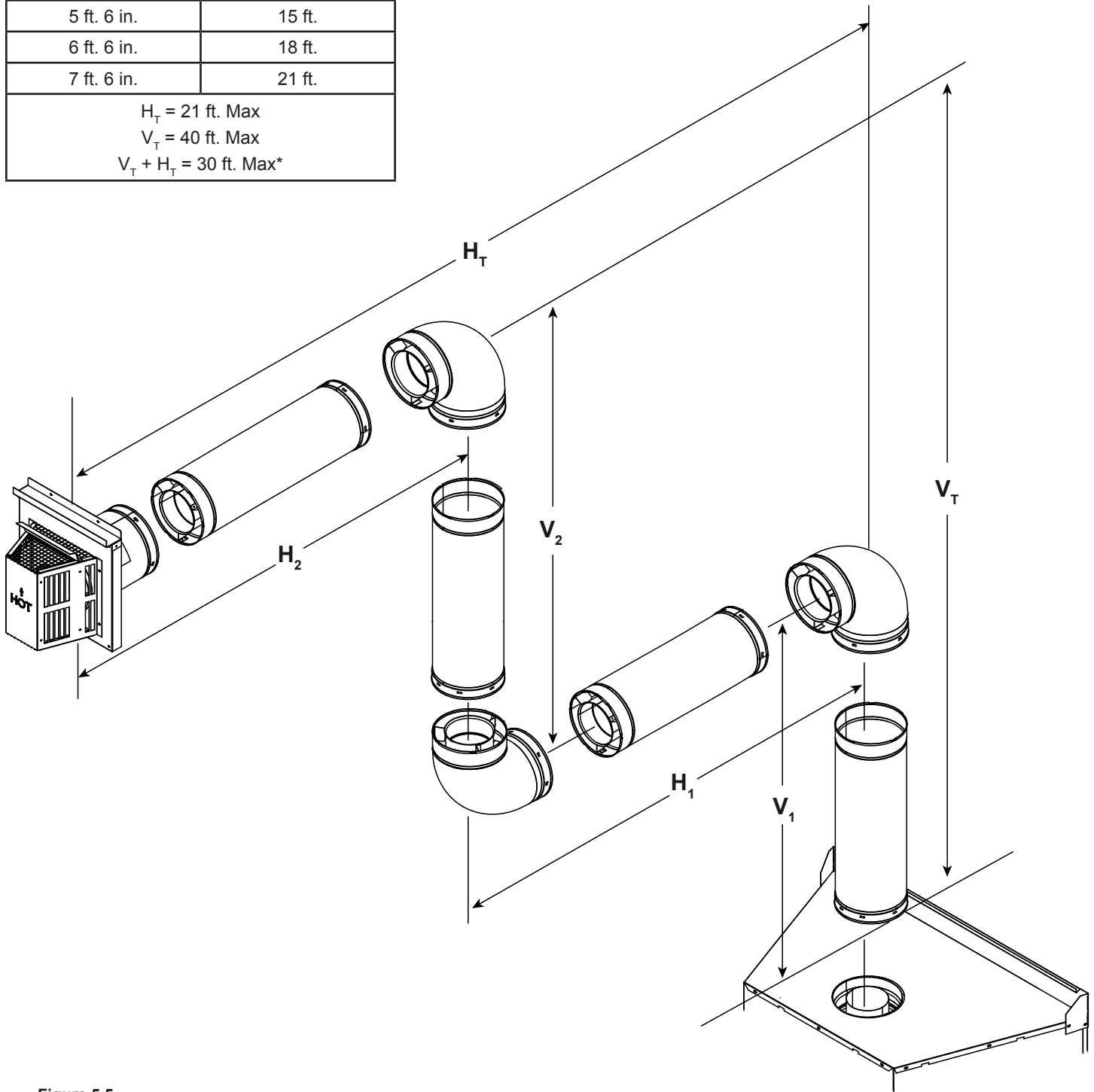


Figure 5.5

## 2. Top Vent - Vertical Termination

### No Elbow

$V_1 = 40 \text{ ft. Max. (12.2 m)}$

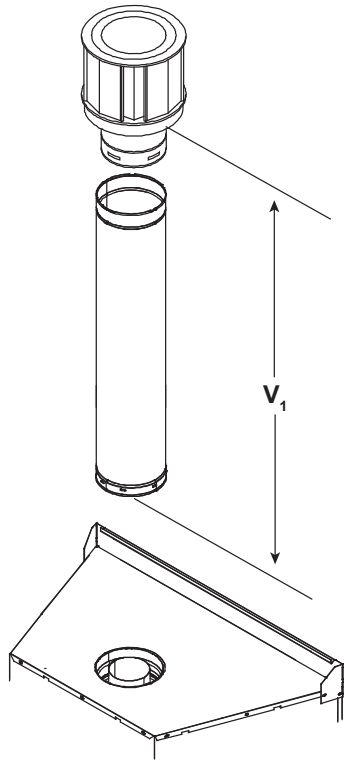
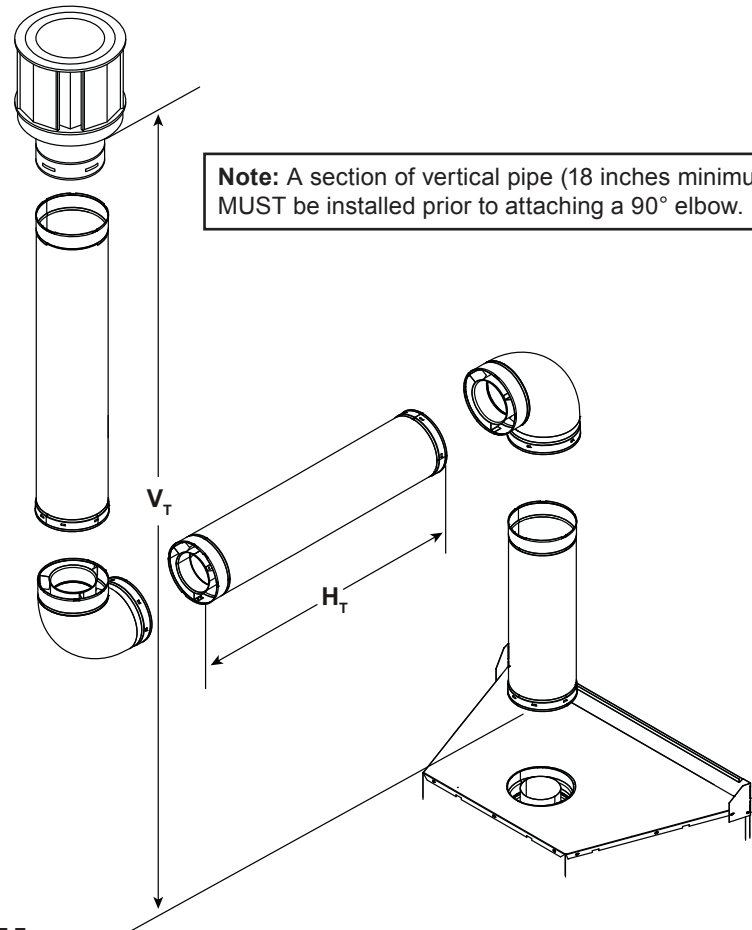


Figure 5.6

### Two Elbows



**Note:** A section of vertical pipe (18 inches minimum) MUST be installed prior to attaching a 90° elbow.

| $V_T$ Min.   | $H_T$ Max. |
|--|------------|
| 1 ft. 6 in.  | 3 ft.      |
| 2 ft. 6 in.  | 6 ft.      |
| 3 ft. 6 in.  | 9 ft.      |
| 4 ft.  | 10 ft.     |
| 4 ft. 6 in.  | 12 ft.     |
| 5 ft. 6 in.  | 15 ft.     |
| 6 ft. 6 in.  | 18 ft.     |
| 7 ft. 6 in.  | 21 ft.     |
| $H_T = 21 \text{ ft. Max}$<br>$V_T = 40 \text{ ft. Max}$<br>$V_T + H_T = 30 \text{ ft. Max}^*$ |            |

\* If the horizontal component is less than 5 feet then the total vent run can be extended to 40 feet.

Figure 5.7



## 2. Top Vent - Vertical Termination - (continued)

### Three Elbows

**Note:** A section of vertical pipe (18 inches minimum) MUST be installed prior to attaching a 90° elbow.

| $V_T$ Min.  | $H_T$ Max. |
|---|------------|
| 1 ft. 6 in.   | 3 ft.      |
| 2 ft. 6 in.   | 6 ft.      |
| 3 ft. 6 in.   | 9 ft.      |
| 4 ft.   | 10 ft.     |
| 4 ft. 6 in.   | 12 ft.     |
| 5 ft. 6 in.   | 15 ft.     |
| 6 ft. 6 in.   | 18 ft.     |
| 7 ft. 6 in.   | 21 ft.     |
| $H_T = 21$ ft. Max<br>$V_T = 40$ ft. Max<br>$V_T + H_T = 30$ ft. Max* |            |

\* If the horizontal component is less than 5 feet then the total vent run can be extended to 40 feet.

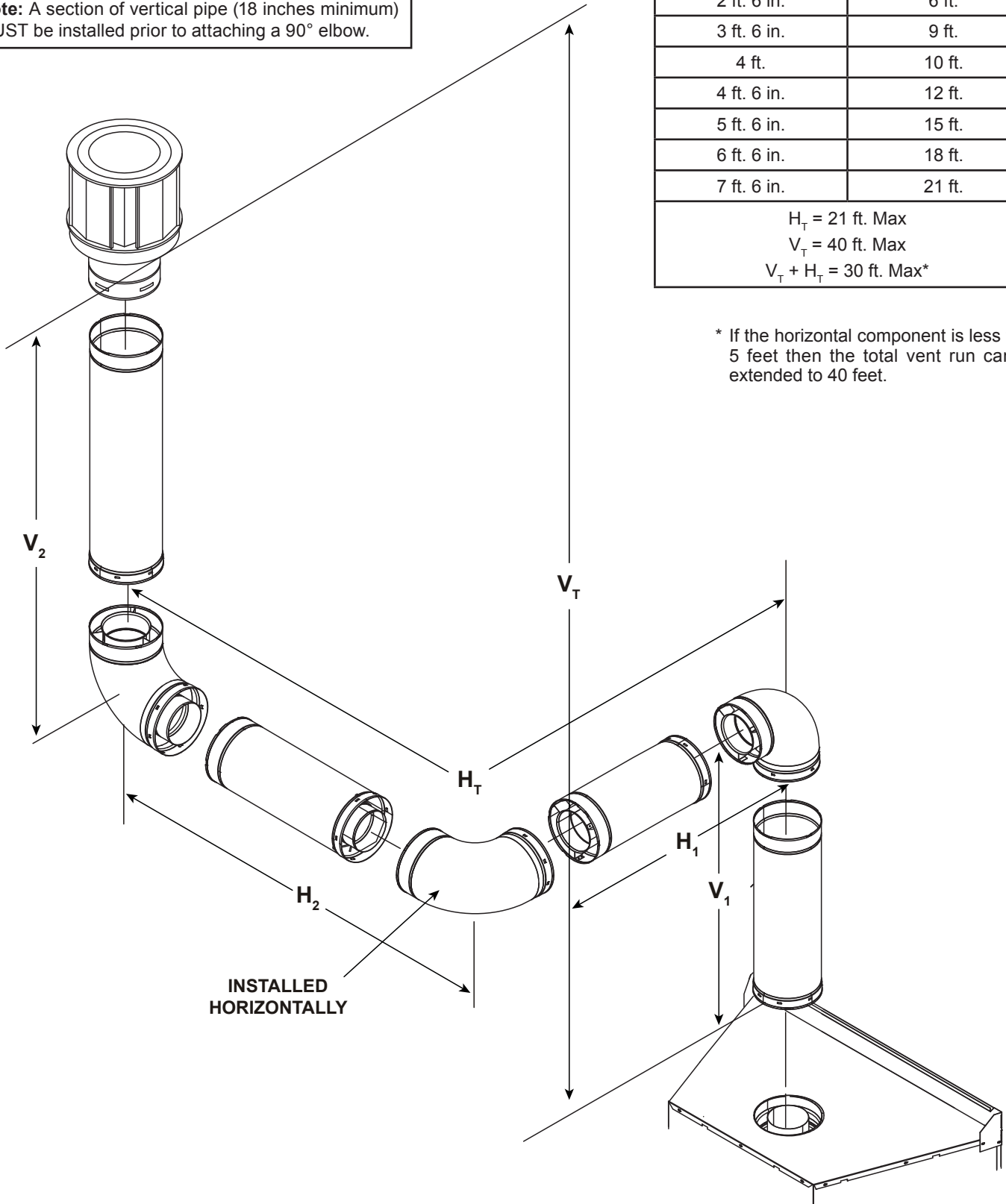





Figure 5.8

# 6 Vent Clearances and Framing

## A. Pipe Clearances to Combustibles

|   |  |
|---|--|
|  | <b>WARNING</b>   |
|  | <p>Fire Risk.<br/>Explosion Risk.</p> <p>Maintain vent clearance to combustibles as specified.</p> <ul style="list-style-type: none"> <li>Do not pack air space with insulation or other materials.</li> </ul> |
|  | <p>Failure to keep insulation or other materials away from vent pipe may cause fire.</p>   |

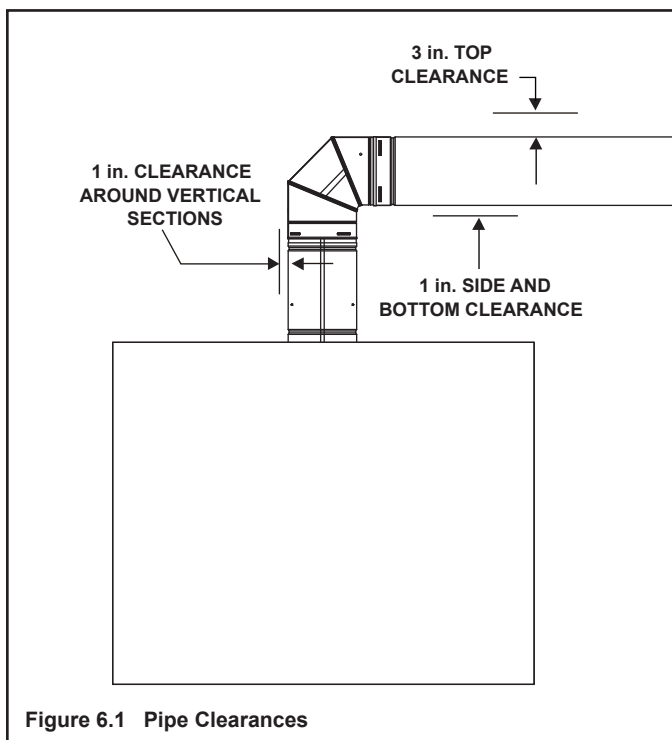


Figure 6.1 Pipe Clearances

## B. Wall Penetration Framing

### Combustible Wall Penetration

Frame a hole in a combustible wall for an interior wall shield firestop, (Figure 6.2) whenever a wall is penetrated. Use same size framing materials as those used in the wall construction. The wall shield firestop maintains minimum clearances and prevents cold air infiltration.

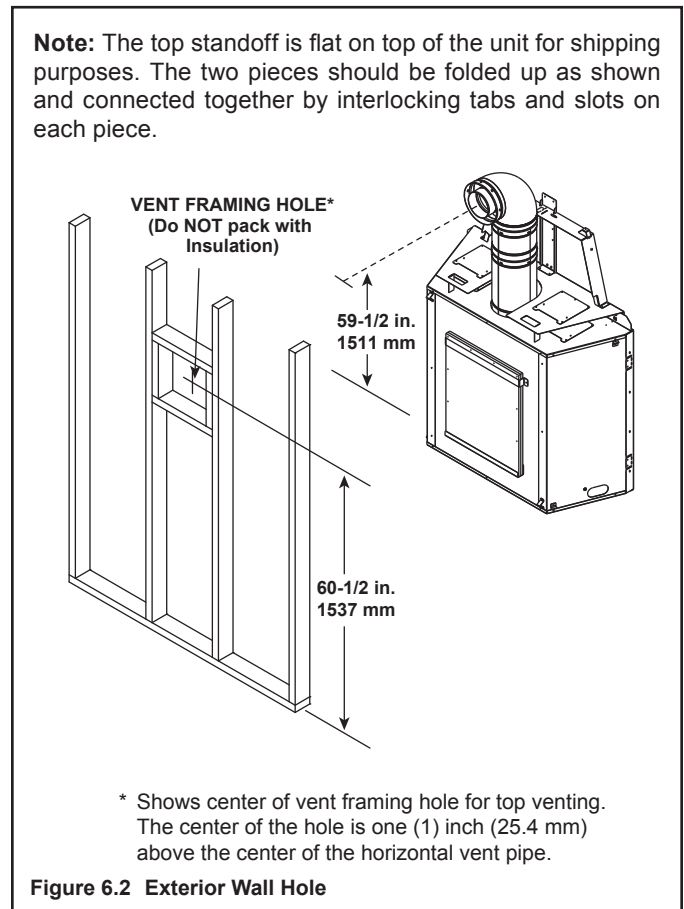
### Non-Combustible Wall Penetration

If the hole being penetrated is surrounded by noncombustible materials such as concrete, a hole with diameter one inch greater than the pipe is acceptable.

Whenever a non-combustible wall is penetrated, the wall shield firestop is only required on one side and no heat shield is necessary.

If your local inspector requires the wall shield firestop on both sides, then both wall shield firestops must have a heat shield attached to them.

**Note:** The top standoff is flat on top of the unit for shipping purposes. The two pieces should be folded up as shown and connected together by interlocking tabs and slots on each piece.



\* Shows center of vent framing hole for top venting. The center of the hole is one (1) inch (25.4 mm) above the center of the horizontal vent pipe.

**Figure 6.2 Exterior Wall Hole**

## C. Vertical Penetration Framing

**⚠ WARNING**

**Fire Hazard**  
Keep loose materials or blown insulation from touching the vent pipe.

- National building codes recommend using attic shield to keep loose materials/blown insulation from contacting vent.
- Hearth & Home Technologies requires the use of an attic shield.

### Installing the Ceiling Firestop

- Frame an opening 10 inches by 10 inches whenever the vent system penetrates a ceiling/floor (see Figure 6.3).
- Frame the area with the same sized lumber as used in ceiling/floor joist.
- When installing a top vent vertical termination appliance the hole should be directly above the appliance, unless the flue is offset.
- Do not pack insulation around the vent. Insulation must be kept away from the pipe.

### Installing Attic Shield

**Note:** An additional ceiling firestop is not required if attic shield is used.

- Frame opening for attic shield.
- Attic shield may be installed above or below ceiling (see Figure 6.4).
- Secure with three fasteners on each side.
- Fold tabs at top of attic shield in toward vent pipe. Tabs must keep vent pipe centered within shield.
- Field construct additional shield height if insulation is deeper than height of attic shield.

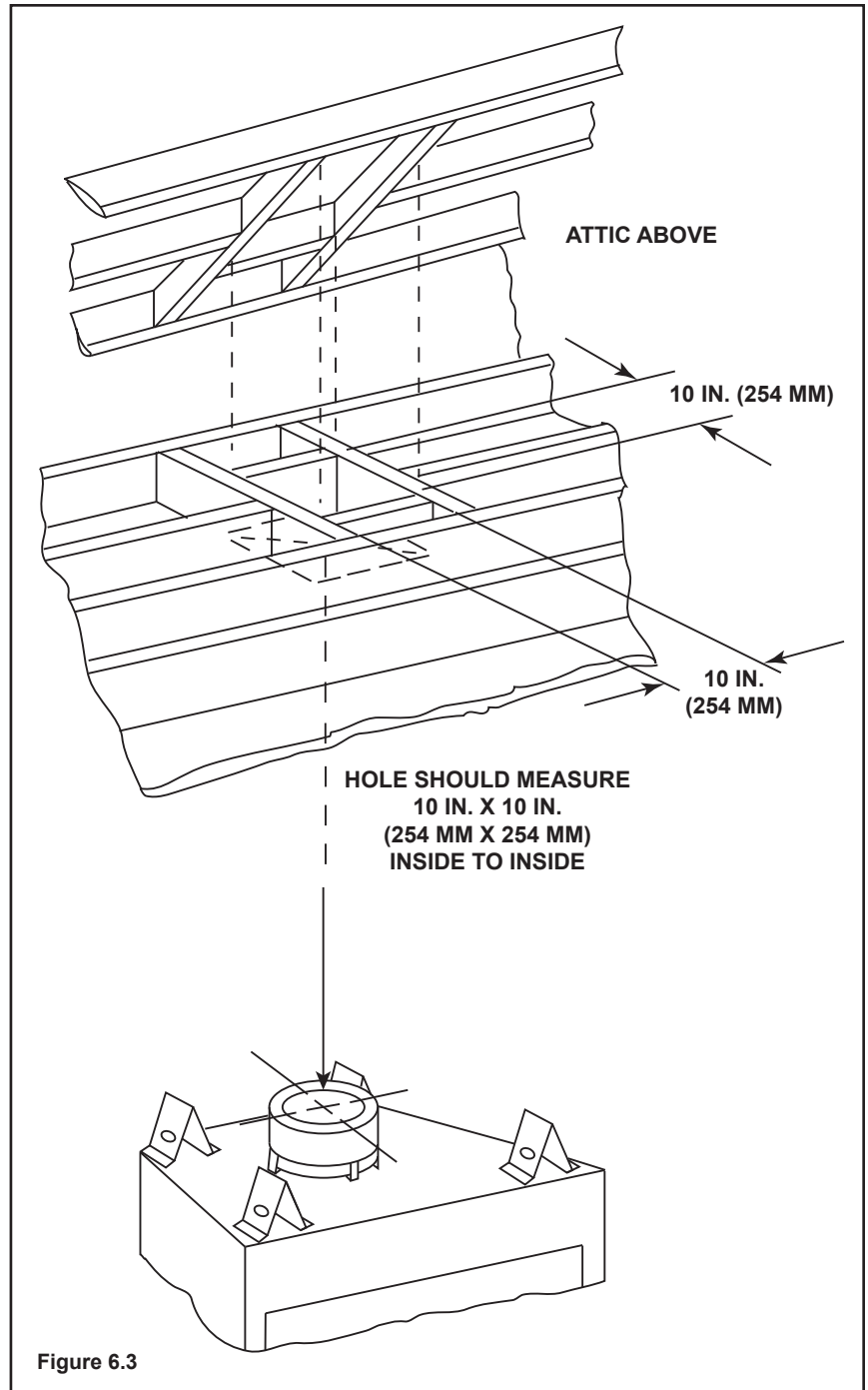


Figure 6.3

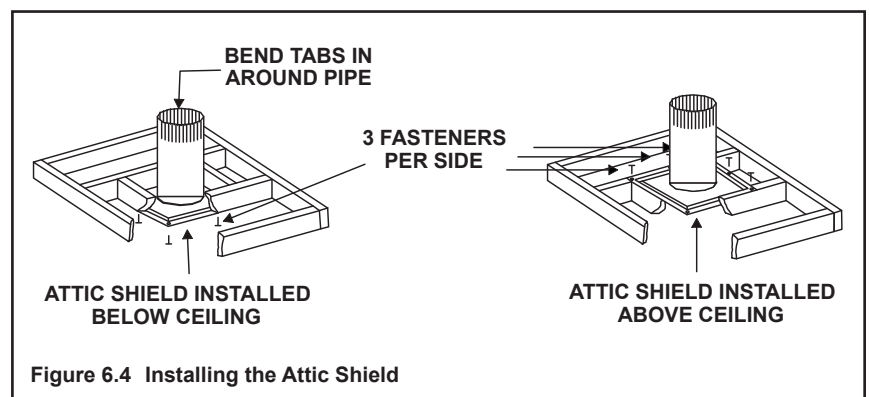


Figure 6.4 Installing the Attic Shield

# 7 Appliance Preparation

## A. Removing Non-combustible Facing Material Assembly

The non-combustible assembly is located on the back side of appliance.

### CAUTION

- Handle with care
- Non-combustible material may be damaged if dropped.

- Hold non-combustible pieces in place.
- Remove and save two screws from upper bracket.
- Remove non-combustible pieces.
- Remove and save three screws from lower bracket.
- Discard brackets.
- Replace screws in holes where brackets were attached to appliance.

## B. Installing the Optional Heat-Zone® Gas Kit

1. Remove the cover plates from the top heat shield and top of the appliance and discard them (see Figure 7.1).
2. Center the duct collar around the exposed hole and attach it to the appliance with 3 screws. NOTE: Do this BEFORE final positioning of the appliance.
3. Determine the location for the air register/fan housing assembly.

See Section 12.C for the remaining installation steps.

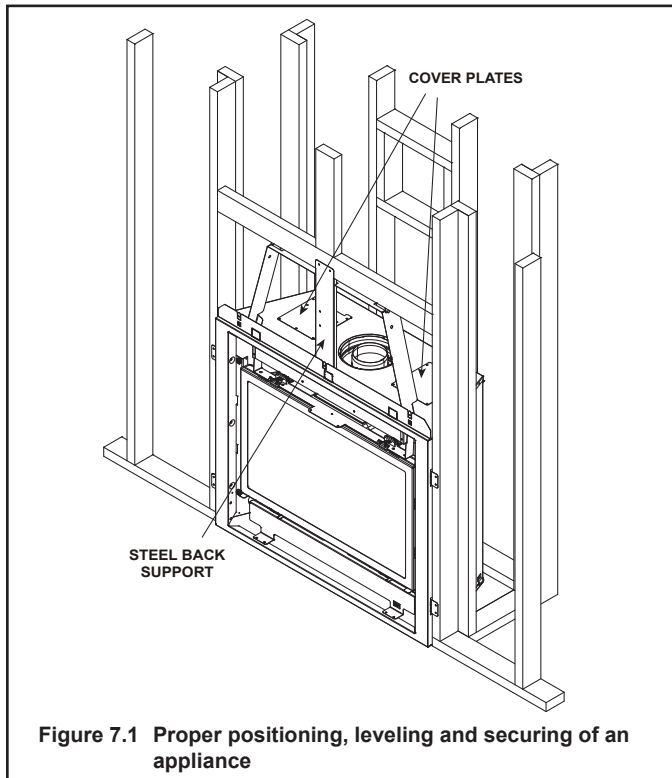


Figure 7.1 Proper positioning, leveling and securing of an appliance

## C. Securing and Leveling the Appliance

### WARNING



- Fire Risk.
- Prevent contact with sagging, loose insulation.
  - Do NOT install against combustible materials such as exposed insulation, plastic and insulation backer.

The diagram shows how to properly position, level, and secure the appliance (see Figure 7.1). Nailing tabs are provided to secure the appliance to the framing members.

- Venting - refer to Vent Clearances and Framing (Section 6) for hole location.
- Place the appliance into position.
- Level the appliance from side to side and front to back.
- Shim the appliance as necessary. It is acceptable to use wood shims.
- Bend out nailing tabs on each side.
- Keep nailing tabs flush with the framing.
- Secure the appliance to the framing by using nails or screws through the nailing tabs.

### WARNING



- Fire Risk.
- ALWAYS maintain specified clearances around the appliance.
  - Do NOT notch into the framing around the appliance spacers.
- Failure to keep insulation, framing or other material away from the appliance may cause fire.

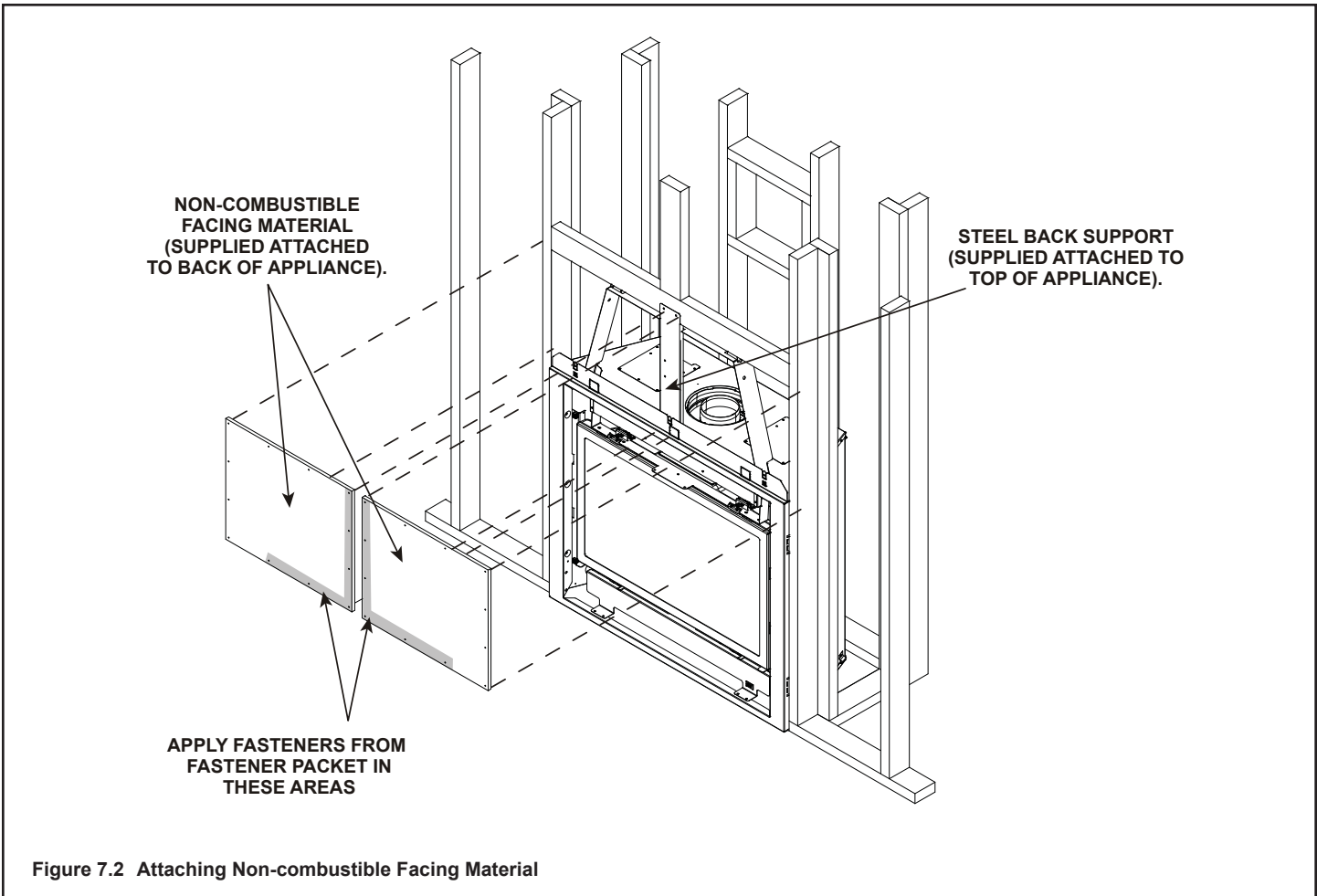


Figure 7.2 Attaching Non-combustible Facing Material

## D. Installing Non-combustible Facing Material

|                  |  |
|------------------|--|
| <b>⚠ WARNING</b> |  |
|                  | <p>Fire Risk.</p> <ul style="list-style-type: none"> <li>• Follow these instructions exactly.</li> <li>• Facing materials must be installed properly to prevent fire.</li> <li>• No materials may be substituted without authorization by Hearth &amp; Home Technologies.</li> </ul> |

- Center and attach two top boards to the framing members. See Figure 7.2.
- Use fasteners from fastener packet (in manual bag) in shaded areas.
- Use regular sheetrock screws in non-shaded areas.
- Use a wet or dry towel or soft brush to remove dust or dirt from facing material.
- Apply a non-combustible adhesive to attach tile, stone or other non-combustible finishing materials per manufacturer's instructions.

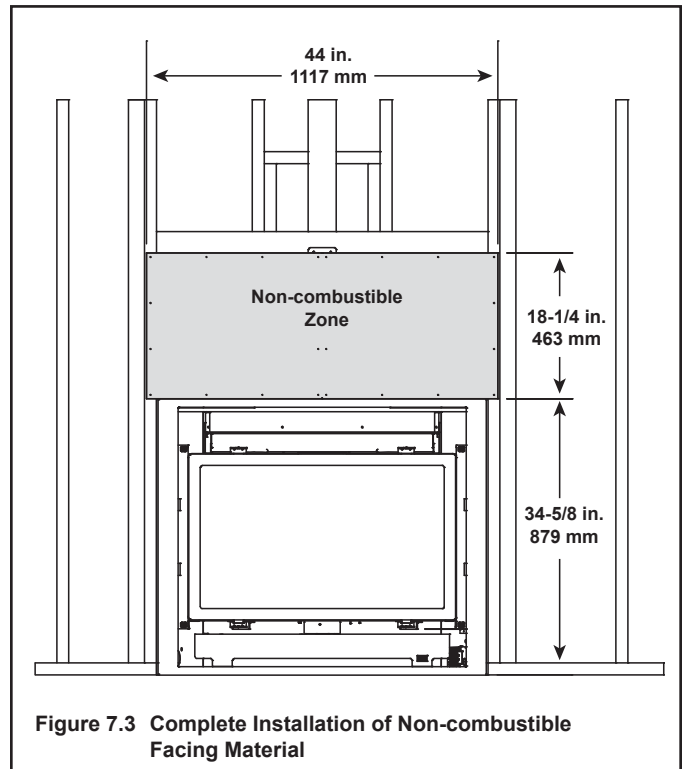


Figure 7.3 Complete Installation of Non-combustible Facing Material

# 8 Installing Vent Pipe

## A. Assembly of Vent Sections

**WARNING**

Do not mix pipe, fittings or joining methods from different manufacturers.

**WARNING**

Fire Risk  
Exhaust Fumes Risk  
Impaired Performance of Appliance

- Overlap pipe slip sections at least 1-1/2 inches.
- Use pilot holes for screws.
- Screws must not exceed one inch long.
- Pipe may separate if not properly joined.

### Attaching Vent to the Firebox Assembly

To attach the first pipe section to the collars, slide the male end of the inner vent of the pipe section over the inner collar on the firebox assembly. At the same time, slide the outer flue over the outer collar on the appliance. Push the pipe section into the appliance collar until all the lances (see Figure 8.2) have snapped in place. Tug slightly on the section to confirm it has completely locked into place.

Make sure that the fiberglass rope ring supplied in the manual bag seals between the first vent component and the outer appliance wrap (see Figure 8.1)

### Commercial, Multi-family (Multi-level exceeding two stories), & High-Rise Applications

For Installation into Commercial, multi-family (multi-level exceeding two stories) or high-rise applications: All pipe joints must be sealed with silicone with a minimum of 300°F continuous exposure rating, including the slip section that connects directly to the horizontal termination cap.

- Apply a bead of silicone sealant inside the female outer pipe joint prior to joining sections. See Figure 8.2
- Only outer pipes are sealed. Do not seal the inner flue. All unit collar, pipe, slip section, elbow and cap outer flues shall be sealed in this manner, unless otherwise stated.

Note: The end of the pipe sections with the lances/tabs on it will face toward the appliance.

**WARNING**

Fire Risk  
Explosion Risk

If slip section seals are broken during the removal of the termination cap, gas will leak and a fire or explosion may occur.

Do not break silicone seals on slip sections.

### Assembling Pipe Sections

Insert the inner flue of section A into the flared inner flue of section B.

Start the outer flue of section A over the outer flue of section B (see Figure 8.3). **Note:** The end of the pipe sections with the lances/tabs on it will face towards the appliance. Once both inner and outer flues are started, press section A onto section B firmly until all lances have snapped into place. Check to make sure they have snapped together (see Figure 8.4) and the seams are not aligned (see Figure 8.5). Tug slightly on section A to confirm it has completely locked into place. It is acceptable to use screws no longer than 1 inch to hold outer pipe sections together. If predrilling holes, do NOT penetrate inner pipe.

For 90° and 45° elbows that are changing the vent direction from horizontal to vertical, one screw minimum should be put in the outer flue at the horizontal elbow joint to prevent the elbow from rotating. Use screws no longer than 1 inch. If predrilling screw holes, do NOT penetrate inner pipe.

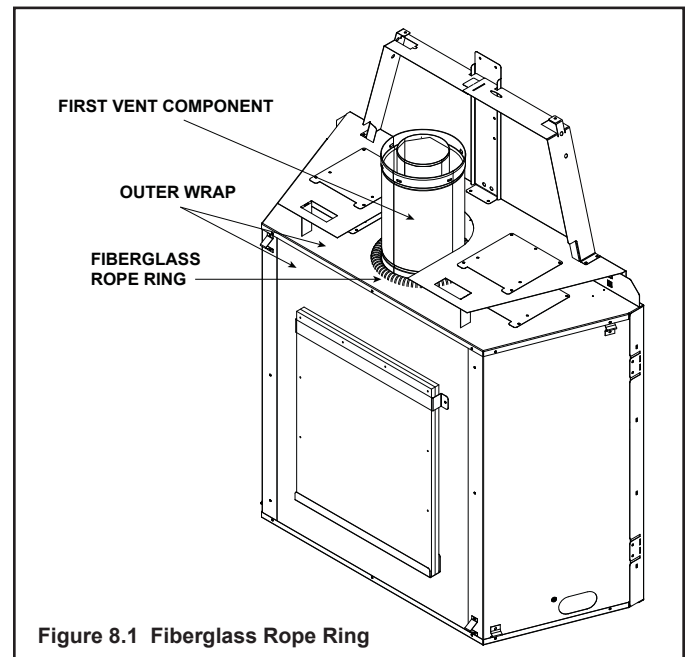


Figure 8.1 Fiberglass Rope Ring

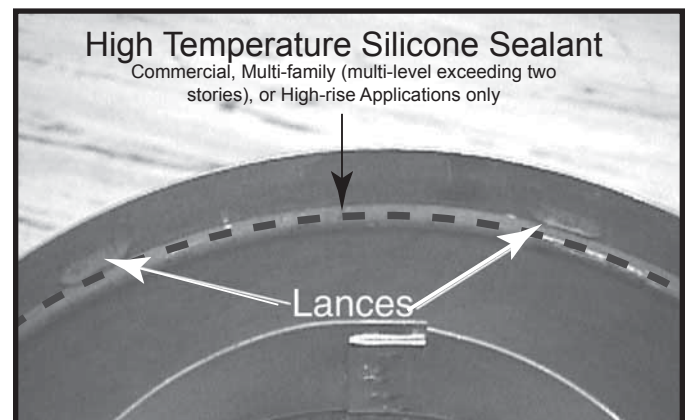


Figure 8.2 Lances

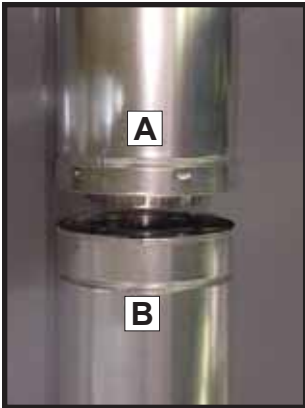


Figure 8.3



Figure 8.4

### Assembling DVP-12A Slip Sections

The outer flue of the slip section should slide over the outer flue of the pipe section and into (inner flue) the last pipe section (see Figure 8.7) .

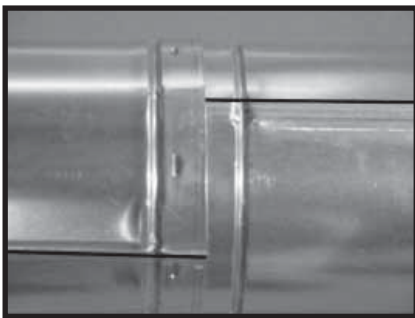
Slide together to the desired length, making sure that a 1-1/2 inch outer flue overlap is maintained between the pipe section and slip section.

The pipe and slip section need to be secured by driving two screws through the overlapping portions of the outer flues using the pilot holes (see Figure 8.8).

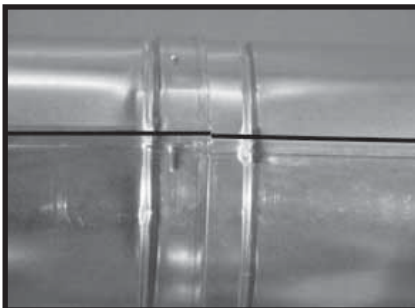
This will secure the slip section to the desired length and prevent it from separating. The slip section can then be attached to the next pipe section.

If the slip section is too long, the inner and outer flues of the slip section can be cut to the desired length.

**Note:** Make sure that the seams are not aligned to prevent unintentional disconnection.



**CORRECT**



**INCORRECT**

Figure 8.5 Seams

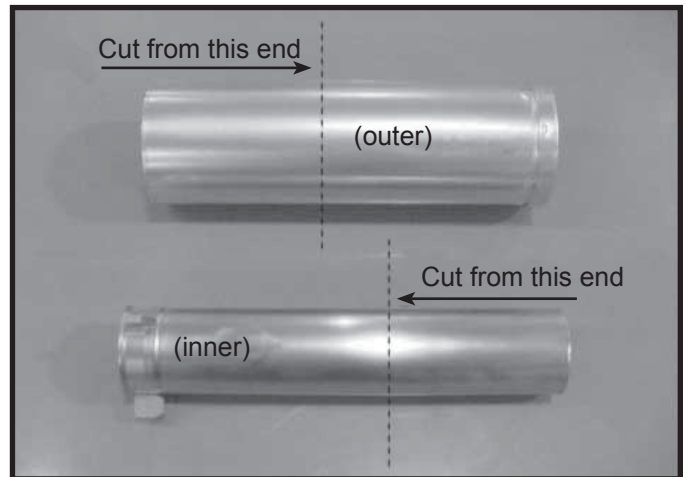


Figure 8.6

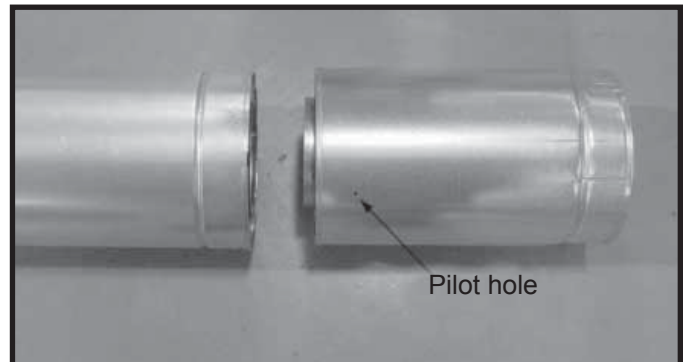


Figure 8.7 Slip Section Pilot Holes

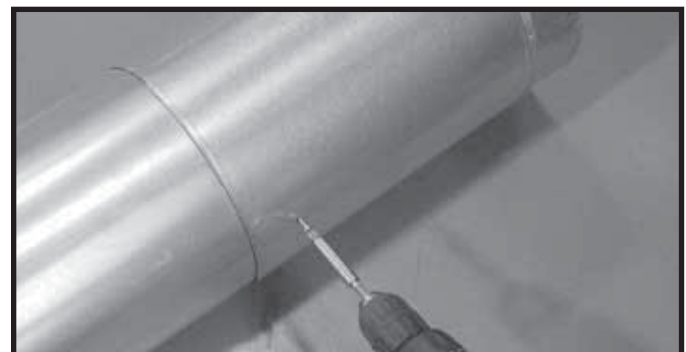


Figure 8.8 Screws into Slip Section

### Assembling Minimum Installations (MI) Sections

MI sections are non-unitized so that they can be cut to a certain length. Cut these sections to length from the non-expanded end (see Figure 8.6).

They can then be attached by first connecting the expanded end of the MI inner flue with the inner pipe from the adjacent pipe section and securing with three screws. The expanded portion of the MI inner flue must overlap completely with the unexpanded end of the adjacent pipe section.

The outer flue can then be inserted into the adjacent outer flue expanded end and attached to the next pipe section with three screws. The other end of the MI pipe section can then be attached by fitting another pipe section to it and snapping it together, as normal.

## Securing the Vent Sections

### Vertical Sections

Vertical sections of pipe must be supported every 8 feet after the 25 foot maximum unsupported rise. The vent support or plumber's strap (spaced 120° apart) may be used to do this (see Figure 8.9).

### Horizontal Sections

Horizontal sections of vent must be supported every 5 feet with a vent support or plumber's strap.

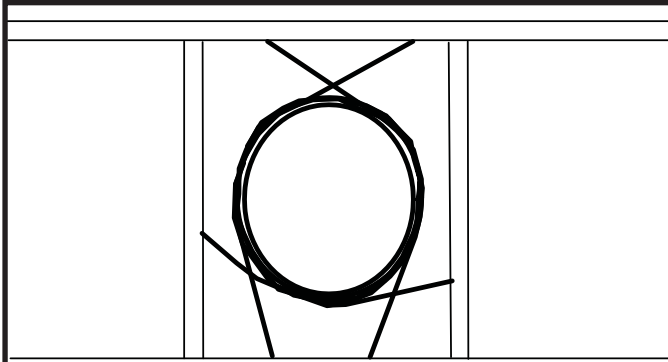


Figure 8.9 Securing Vertical Pipe Sections

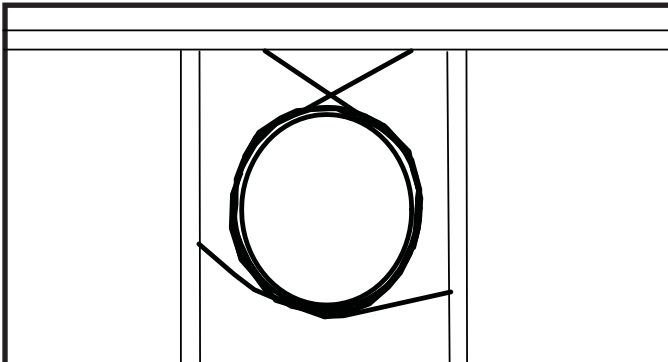



Figure 8.10 Securing Horizontal Pipe Sections

## B. Disassembly of Vent Sections

To disassemble any two pieces of pipe, rotate either section (see Figure 8.11), so that the seams on both pipe sections are aligned (see Figure 8.12). They can then be carefully pulled apart.

|   |  |
|---|--|
| <b>⚠ WARNING</b>  |  |
|  | Fire Risk.<br>Explosion Risk.<br>Combustion Fume Risk.   |
|   | Use vent run supports per installation instructions.<br>Connect vent sections per installation instructions.   |
|   | <ul style="list-style-type: none"><li>• Maintain all clearances to combustibles.</li><li>• Do NOT allow vent to sag below connection point to appliance.</li></ul> |
| Improper support may allow vent to sag or separate.                               |  |

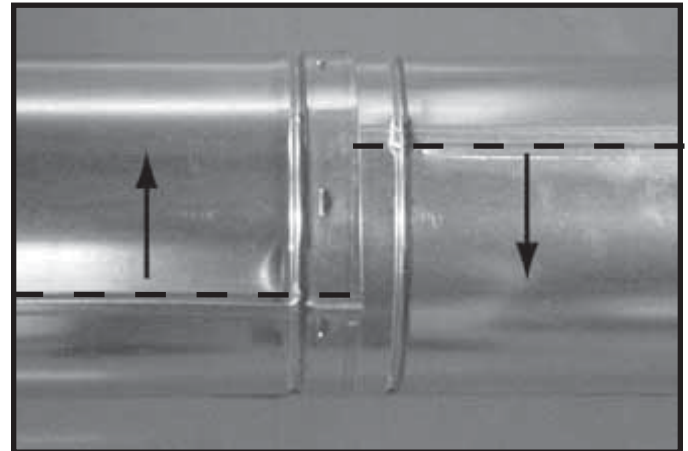


Figure 8.11 Rotate Seams for Disassembly

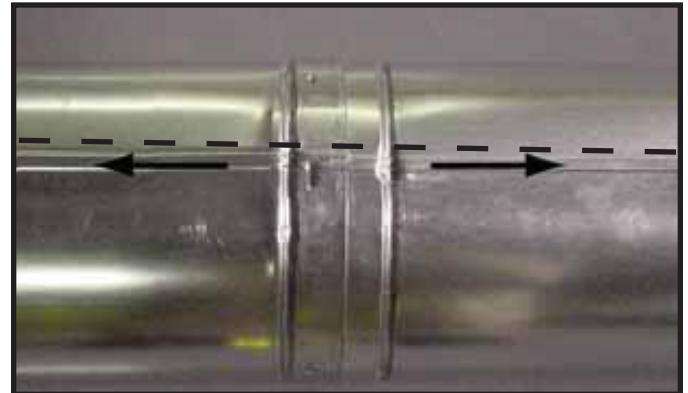


Figure 8.12 Align and Disassemble Vent Sections



## C. Installing Heat Shield and Horizontal Termination Cap

### ⚠ WARNING



Fire Hazard

Impaired performance of appliance

- Telescoping flue section of termination cap **MUST** be used when connecting pipe section to termination cap.
- Maintain a 1-1/2 inch minimum overlap on telescoping flue section of termination cap.



### ⚠ WARNING

Fire Risk

Exhaust Fumes Risk

Impaired Performance of Appliance



- Overlap pipe slip sections at least 1-1/2 inches.
- Use pilot holes for screws.
- Screws must not exceed 1 inch long.
- Pipe may separate if not properly joined.

### Heat Shield Requirements for Horizontal Termination

For all horizontally vented appliances, a heat shield **MUST** be placed one inch above the top of the vent between the wall shield firestop and the base of the termination cap.

There are two sections of the heat shield. One section is factory-attached to the wall shield firestop. The other section is factory-attached to the cap (see Figure 8.13).

If the wall thickness does not allow the required 1-1/2 inch (38 mm) heat shield overlap when installed, an extended heat shield (DVP-HSM-B) must be used.

**Important Notice:** Heat shields may not be field constructed.

The extended heat shield (DVP-HSM-B) may need to be cut to length. You will attach the cut heat shield to the existing cap heat shield or wall shield firestop heat shield (refer to Figure 8.13) using the supplied screws. You **MUST** maintain a 1-1/2 in. (38 mm) overlap of the extended heat shield and the existing shields (both ends of the heat shield). The small leg on the extended heat shield should rest on the top of the vent (pipe section) to properly space it from the pipe section.

### Installing the Horizontal Termination Cap

Vent termination must not be recessed in the wall. Siding may be brought to the edge of the cap base.

Flash and seal as appropriate for siding material at outside edges of cap.

When installing a horizontal termination cap, follow the cap location guidelines as prescribed by current **ANSI Z223.1** and **CAN/CGA-B149** installation codes.

### ⚠ WARNING



Burn Risk

- Local codes may require installation of a cap shield to prevent anything or anyone from touching the hot cap.

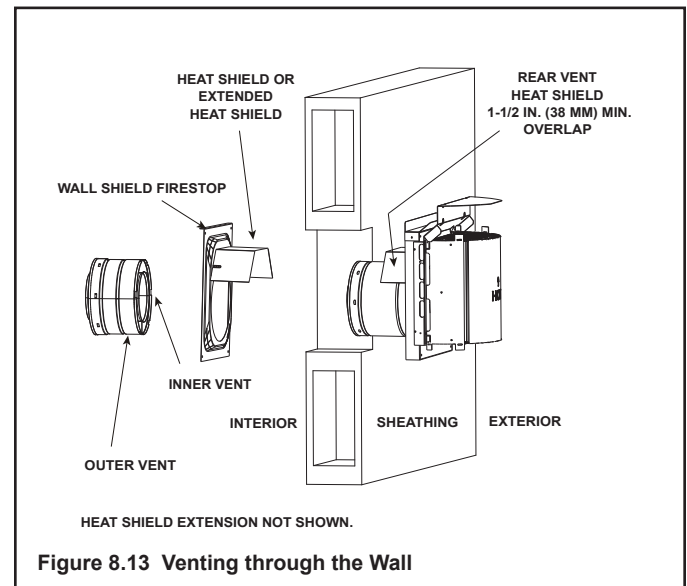


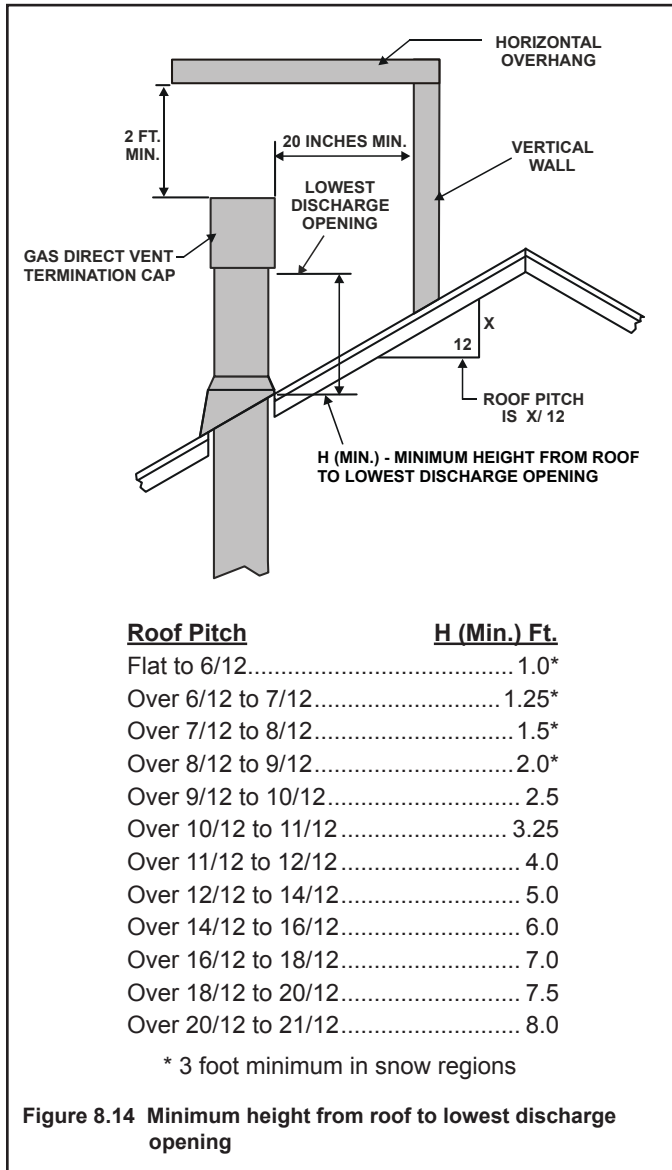
Figure 8.13 Venting through the Wall

**Note:** Where required, an exterior wall flashing is available.

When penetrating a brick wall, a brick extension kit is available for framing the brick.

## D. Installing Roof Flashing and Vertical Termination Cap

For installation of vertical termination cap see minimum vent heights for various pitched roofs (see Figure 8.14).



Caulk the gap between the roof flashing and the outside diameter of the pipe. Also caulk the perimeter of flashing that contacts roof surface and the overlap seam of any exposed pipe sections that are located above the roof line as shown in Figure 8.16.

To attach the vertical termination cap, slide the inner collar of the cap into the inner flue of the pipe section and place the outer collar of the cap over the outer flue of the pipe section.

Secure with three screws into the outer flue. Secure the cap by driving the three self-tapping screws (supplied) through the pilot holes in the outer collar of the cap into the outer flue of the pipe (see Figure 8.15).



**⚠ WARNING**

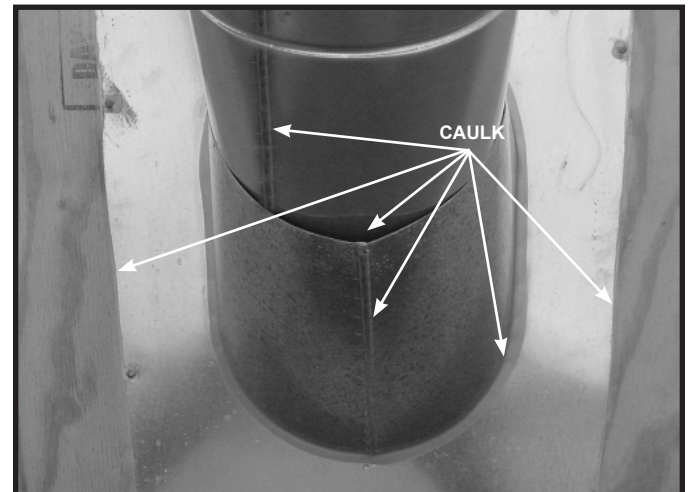
Fire Risk.

Explosion Risk.

Inspect external vent cap regularly.

- Ensure no debris blocks cap.
- Combustible materials blocking cap may ignite.
- Restricted air flow affects burner operation.

**NOTICE:** Failure to properly caulk the roof flashing and pipe seams may permit entry of water.



## Assembling and Installing Storm Collar

|   |   |
|---|---|
|  | <b>CAUTION</b>  |
|   | <p>Sharp Edges</p> <ul style="list-style-type: none"><li>• Wear protective gloves and safety glasses during installation.</li></ul>  |

Connect both halves of the storm collar with two screws (see Figure 8.17).

Wrap the storm collar around the exposed pipe section and align brackets. Insert a bolt (provided) through the brackets and tighten nut to complete storm collar assembly (see Figure 8.18).

Slide the assembled storm collar down the pipe section until it rests on the roof flashing.

Caulk around the top of the storm collar (see Figure 8.15).



Figure 8.18 Assembling the Storm Collar Around the Pipe

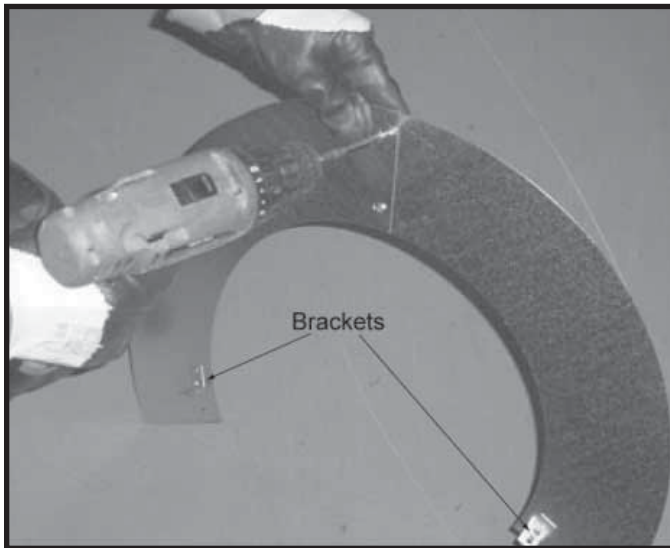


Figure 8.17 Assembling the Storm Collar

# 9 Gas Information

## A. Fuel Conversions


Before making gas connections ensure that appliance being installed is compatible with the available gas type.

Any natural or propane gas conversions necessary to meet the appliance and locality needs must be made by a qualified technician using Hearth & Home Technologies specified and approved parts.

## B. Gas Pressures

Proper input pressures are required for optimum appliance performance. Gas line sizing requirements need to be made following NFPA54.


**⚠ WARNING**



Fire Risk.  
Explosion Hazard.  
High pressure will damage valve.

- Disconnect gas supply piping BEFORE pressure testing gas line at test pressures above 1/2 psig.
- Close the manual shutoff valve BEFORE pressure testing gas line at test pressures equal to or less than 1/2 psig.

**⚠ WARNING**



Verify inlet pressures.

- High pressure may cause overfire condition.
- Low pressure may cause explosion.
- Verify minimum pressures when other household gas appliances are operating.

Install regulator upstream of valve if line pressure is greater than 1/2 psig.

Pressure requirements for appliance are shown in the table below. Minimum pressures must be met when other household gas appliances are operating.

| Pressure                   | Natural Gas         | Propane             |
|----------------------------|---------------------|---------------------|
| Minimum inlet pressure     | 5.0 inches<br>w.c.  | 11.0 inches<br>w.c. |
| Maximum inlet gas pressure | 14.0 inches<br>w.c. | 14.0 inches<br>w.c. |
| Manifold pressure          | 3.5 inches<br>w.c.  | 10.0 inches<br>w.c. |

## C. Gas Connection

**Note:** Have the gas supply line installed in accordance with local building codes, if any. If not, follow ANSI 223.1. Installation should be done by a qualified installer approved and/or licensed as required by the locality. (In the Commonwealth of Massachusetts installation must be performed by a licensed plumber or gas fitter).


**Note:** A listed (and Commonwealth of Massachusetts approved) 1/2 inch (13 mm) T-handle manual shut-off valve and flexible gas connector are connected to the 1/2 inch (13 mm) control valve inlet.

- **If substituting for these components, please consult local codes for compliance.**

Refer to **Reference Section 16** for location of gas line access in appliance.

**Note:** Gas line may be run from either side of the appliance provided the hole in the outer wrap does NOT exceed 2-1/2 inches in diameter and does not penetrate the firebox.

**⚠ WARNING**





Gas Leak Risk



- Support control when attaching pipe to prevent bending gas line.


**Note:** The gap between supply piping and gas access hole may be caulked with caulk with a minimum of 300°F continuous exposure rating or stuffed with non-combustible, unfaced insulation to prevent cold air infiltration.

- Ensure that gas line does not come in contact with outer wrap of appliance. Follow local codes.
- Incoming gas line should be piped into the valve compartment and connected to the 1/2 inch connection on the manual shutoff valve.

|   |  |
|---|--|
| <b>⚠ WARNING</b>  |  |
|  | <p>Fire or Explosion Hazard</p> <ul style="list-style-type: none"> <li>• Gas buildup during line purge may ignite.</li> <li>• Purge should be performed by qualified technician.</li> <li>• Ensure adequate ventilation.</li> <li>• Ensure there are no ignition sources such as sparks or open flames.</li> </ul> |
|  |  |

- A small amount of air will be in the gas supply lines. When first lighting appliance it will take a short time for air to purge from lines. When purging is complete the appliance will light and operate normally.

|   |   |
|---|---|
| <b>⚠ WARNING</b>  |   |
|    | <p><b>CHECK FOR GAS LEAKS</b></p> <p>Explosion Risk<br/>Fire Risk<br/>Asphyxiation Risk</p> <ul style="list-style-type: none"> <li>• Check all fittings and connections.</li> <li>• Do not use open flame.</li> <li>• After the gas line installation is complete, all connections must be tightened and checked for leaks with a commercially-available, non-corrosive leak check solution. Be sure to rinse off all leak check solution following testing.</li> </ul> |
|  | <p>Fittings and connections may have loosened during shipping and handling.</p>   |

|   |  |
|---|--|
| <b>⚠ WARNING</b>  |  |
|  | <p>Fire hazard.</p> <p>Do NOT change the valve settings.</p> <ul style="list-style-type: none"> <li>• This valve has been preset at the factory.</li> <li>• Changing valve settings may result in fire hazard or bodily injury.</li> </ul> |

|  |
|--|
| <p><b>HIGH ALTITUDE INSTALLATIONS</b></p> <p>U.L. Listed gas appliances are tested and approved without requiring changes for elevations from 0 to 2000 feet in the U.S.A. and Canada.</p> <p>When installing this appliance at an elevation above 2000 feet, it may be necessary to decrease the input rating by changing the existing burner orifice to a smaller size. Input rate should be reduced by 4% for each 1000 feet above a 2000 foot elevation in the U.S.A., or 10% for elevations between 2000 and 4500 feet in Canada. If the heating value of the gas has been reduced, these rules do not apply. To identify the proper orifice size, check with the local gas utility.</p> <p>If installing this appliance at an elevation above 4500 feet (in Canada), check with local authorities.</p> |
|--|

# 10 Electrical Information

## A. Recommendation for Wire

This appliance requires 110-120 VAC be wired to the junction box either for use of optional accessories or for proper operation of the appliance.

**Note:** This appliance must be electrically wired and grounded in accordance with local codes or, in the absence of local codes, with **National Electric Code ANSI/NFPA 70-latest edition** or the **Canadian Electric Code, CSA C221.1**.

- A 110-120 VAC circuit for this product must be protected with ground-fault circuit-interrupter protection, in compliance with the applicable electrical codes, when it is installed in locations such as in bathrooms or near sinks.

## B. Connecting to the Appliance



### ⚠ WARNING

- Wire 110V to electrical junction box.  
Do NOT wire 110V to valve.  
Do NOT wire 110V to wall switch.
- Incorrect wiring will damage millivolt valves.
  - Incorrect wiring will override IPI safety lockout and may cause explosion.



### CAUTION

Battery polarity must be correct or module damage will occur.

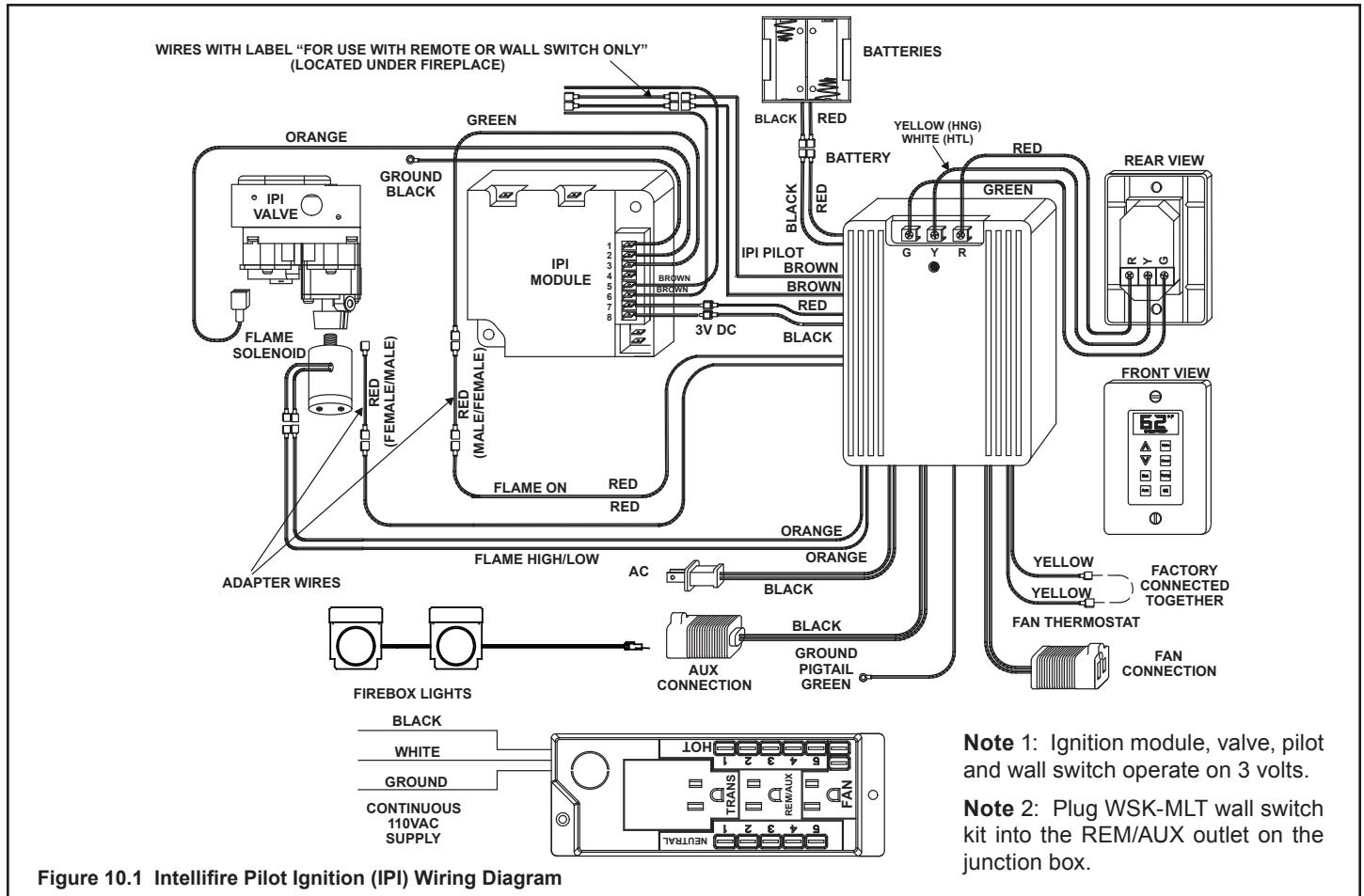


Figure 10.1 Intellifire Pilot Ignition (IPI) Wiring Diagram

## D. Optional Accessories Requirements

Wiring for optional accessories should be done now to avoid reconstruction.

### CAUTION

Label all wires prior to disconnection when servicing controls. Wiring errors can cause improper and dangerous operation. Verify proper operation after servicing.



### WARNING

Shock hazard.

- Replace damaged wire with type 105° C rated wire.
- Wire must have high temperature insulation.

## LIGHT BULBS

This appliance has standard firebox lighting. The 20 watt halogen bulbs are not factory installed. The lights are accessible from under the firebox in the valve area.

### To Replace a Light Bulb:

The lights are shipped in boxes in the light enclosures. Reach behind the valve and locate the light boxes. Cut the rubber band and slide out the back of the light box. Remove the light bulb from the box and install it in the socket. Replace the back of the enclosure.



Figure 10.2 Light enclosure

## E. WSK-MLT Wall Switch Kit



### Introduction

The WSK-MLT multifunctional wall switch is designed to control flame height, blower speed, and auxiliary functions on your gas fireplace. For models equipped with the Intellifire system (IPI), the cold climate function can control the pilot flame as well. The wall switch is equipped with thermostat functions which can automatically control the temperature in the room in which it is installed. The wall switch interfaces with both intermittent and standing pilot systems. An auxiliary function provides 110-120 VAC source for added features the fireplace may have installed. Electrical ratings for the control box are 110 VAC, 60 Hz, and is required for operation of this device.

### Installation precautions

This remote is tested and safe when installed in accordance with this installation manual. It is your responsibility to read all instructions before starting installation and to follow these instructions carefully during installation. Do not install any components that may be damaged. Do not modify, disassemble, or substitute any of the components included with this kit. Installation of this unit must be done by a qualified service technician.

Placement of this wall switch may affect performance or accuracy of the automatic (thermostat) control. An assessment of the space should be done prior to installation for optimal performance. See the installation instructions section I for recommendations.

**NOTE:** The electrical junction box provided with the fireplace must be wired with 110 VAC.

All wiring should be done by a qualified electrician and shall be in compliance with local codes and with the National Electric Code ANSI/NFPA No. 70- current (in the United States), or with the current CSA C22.1 CANADIAN ELECTRIC CODE (in Canada).



### WARNING

Shock Hazard

Do not provide any power to this unit until all wiring is completed. Failure to do so may destroy parts of this device and render it unusable, and may lead to possible electrical shock.



Fire Hazard

Modification of any parts or installation of damaged components will void the warranty, and you may possibly cause a fire hazard.

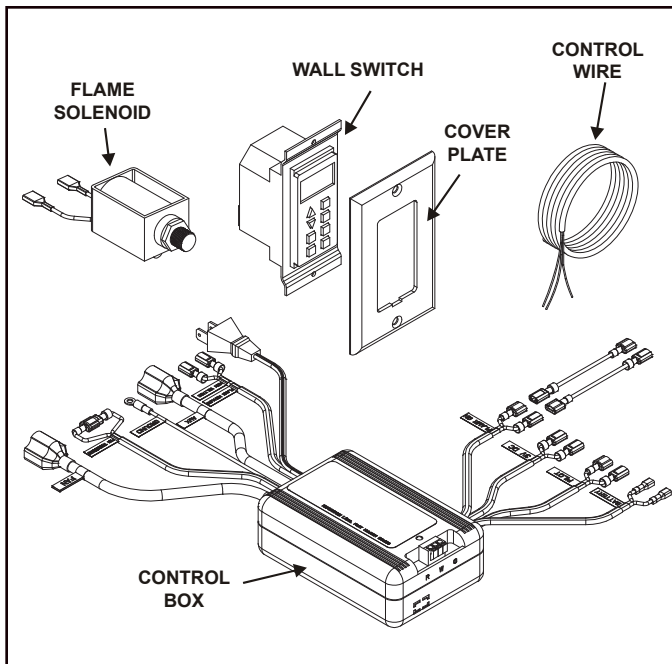


Figure 10.3.

### Installation instructions

#### Determine location

Determine the location for the wall switch. The chosen location should provide an accessible location in the same space as the gas fireplace. Never place this unit in a separate room. The control wire supplied with this switch is 33 ft (10M) in length. The distance from the fireplace to the switch may be lengthened provided that the wire used never exceeds 50 ft, and that the distance from the fireplace to the switch never exceeds 30 ft.

The switch should be mounted into a listed electrical junction box. The junction box should be dedicated to this wall switch. Never install this wall switch into a junction box that is shared with other electrical service or devices. If possible, install this unit on an interior wall of the residence at a recommended height of 5 ft from the flooring. Should the switch be installed on an exterior wall, be certain wall insulation is kept intact and not damaged or dislodged during the installation of the electrical junction box.

For exterior wall installations, it is recommended that the junction box be sealed with caulking material. This will minimize heat loss through this location and improve the accuracy of the automatic (thermostat) operation.

### Wiring the wall switch

Once a location is chosen and the electrical box is installed proceed as follows. Install the provided control wire from the fireplace to the switch location. Use caution not to stress the wire around tight or sharp corners. Do not run the control wire adjacent to existing or future phone, data, cable, or electrical lines. The wire should not come into contact with any part of the fireplace exterior with the exception of where it exits the outer wrap. Feed the wire to the electrical junction box and through a provided or approved strain relief. Using a screw driver, connect the red wire to the "R" terminal, the yellow or white wire to the "W" or "Y" terminal, and the green wire to the "G" terminal. Do not over-tighten. Using the screws provided, mount the switch to the electrical junction box right side up. Install provided cover plate using the screws provided. Do not use a substitute cover even though it may fit. The provided one is specifically designed for the automatic (thermostat) function of the unit.

### Operating Instructions

#### For units WITH factory installed rocker switch.

The ON/OFF rocker switch on the fireplace (located near the gas valve) must be in the "OFF" position for use with the WSK-MLT system. The ON/OFF rocker switch will NOT function with this device on Intellifire (IPI) models except during a power outage.

**NOTE:** The temperature displayed by the wall switch may take up to 30 minutes to stabilize on initial power-up.

**NOTE:** Check control box and assure switch is in the "OFF" position. This switch is only used on Intellifire (IPI) control systems under battery operation.

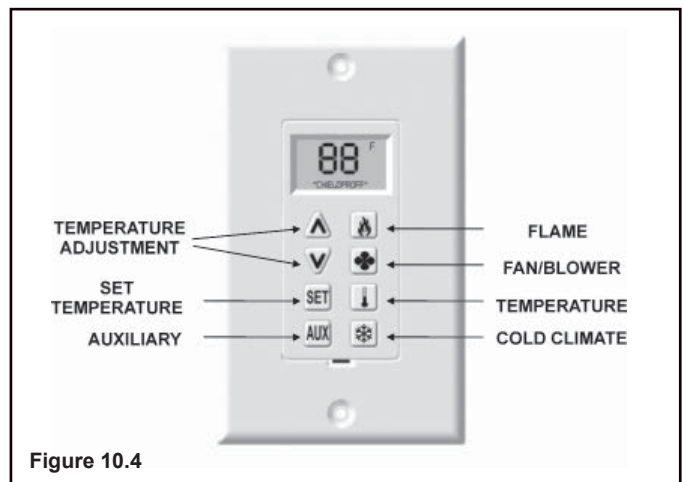


Figure 10.4



## Setting Flame Height/manifold pressure

(To be done by a qualified service technician). Upon initial power-up of this device, valve pressure must be set for flame adjustment.

- Loosen output pressure tap on valve and connect with pressure manometer.
- Press flame button once (Fig. 10.4); fireplace will light with flames on high.
- Turn solenoid clockwise to increase pressure, counter-clockwise to decrease pressure until manifold pressure on high is 3.5" water column for natural gas (NG), 10.0" water column for propane (LP).
- Once pressure is achieved spin jam-nut on solenoid stem tight against regulator face to prevent rotation. Do not overtighten.
- Press flame button twice to turn fireplace off.
- Remove manometer tube and tighten or close pressure tap. Use a soap solution to carefully check the pressure tap for leaks.

## Wall Switch Button Operation

See Figure 10.4.

### Flame Button

- Button Press: Unit On / Flames High, Turns on auxiliary power
- Button Press: Flames Low
- Button Press: Unit Off / Flames Off, Turns off auxiliary power

### Fan / Blower Button

- Button Press: Fan High ("3")
- Button Press: Fan Medium ("2")
- Button Press: Fan Low ("1")
- Button Press: Fan Off

### Temperature Button

- Button Press will toggle between Automatic and Manual Operation
- Press and Hold the button for 3 seconds to toggle between Fahrenheit and Centigrade Temperature Display.

*Automatic Operation: Controller will monitor temperature and control unit according to the set point.*

*Manual Operation: Controller will not automatically change settings.*

## SET Set Temperature Button

- Button Press: Displays Set Point
- Use Up and Down Arrows to Adjust Set Point
- Press Set Button to Store New Set Point

*Temperature Set Point can be adjusted between the ranges of: 45-90° Fahrenheit or 7-32° Centigrade*

**NOTE:** *The controller will turn off the fireplace at 2° F over set point and turn it back on at 2° F below set point.*

## Up and Down Arrows

- Push to adjust set point temperature under automatic control.

## AUX Auxiliary Button

- Button Press: Turns on auxiliary power
  - Button Press: Turns off auxiliary power
- Can be operated independently of all functions.*

## Child Proof Mode

### To Enter Child Proof Mode:

- Press the Up Arrow Button twice and Down Arrow Button once. The unit will send out 3 beeps and an indicator in the LCD panel will show that the child proof is on.

### To Leave Child Proof Mode:

- Press the Up Arrow Button twice and Down Arrow Button once. The unit will send out 3 beeps and the indicator in the LCD panel that shows that the child proof is on will disappear.

**NOTE:** When in Child Proof Mode, only the arrow buttons will have functionality. Unit can enter Child Proof when the fireplace is on or off.

## INTELLIFIRE (IPI) MODELS ONLY

### Cold Climate Button

- Button Press: Turns on Climate Control
- Button Press: Turns off Climate Control

*This allows the pilot flame to stay lit when activated, a benefit of this is reduced condensation on the glass at start-up in colder climate conditions.*

## Operation Under Battery Power

A switch on the control box allows for battery power under no-power conditions. See Figure 10.6. By controlling the power supply with this switch, the batteries are supplying power only when needed, thus extending battery life. The switch also provides a convenient means for switching to battery power should there be a loss of 110 VAC power to the control box.

- In the event of a power failure, switch the battery operation switch to the "Battery ON" position.
- The fireplace can now be turned on and off with the ON/OFF rocker switch located near the gas valve.
- The wall switch functions will not operate under battery power.
- Under battery control the only available function is flame "On" and "Off" in the high position.
- To maximize battery life, and to restore full function capability of the wall switch, flip switch to "OFF" position after 120 VAC power is restored.

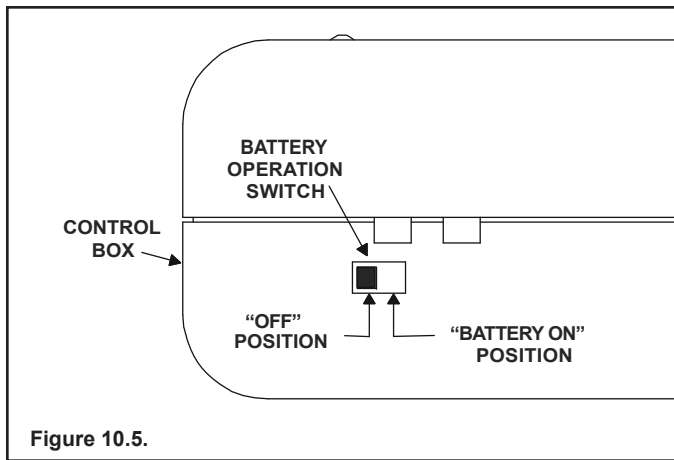


Figure 10.5.

## F. Junction Box Installation

If the box is being wired from the **OUTSIDE** of the appliance:

- Remove the cover plate located on the outer shell - right side. See Figure 10.6.
- Install the supplied Romex™ connector in the cover plate.
- Feed the necessary length of wire through the connector.
- Make all necessary wire connections and reattach the cover plate to the outer shell.

If the box is being wired from the **INSIDE** of the appliance:

- Remove the screw attaching the junction box/receptacle to the outer shell, rotate the junction box inward to disengage it from the outer shell. See Figure 10.6.
- Pull the electrical wires from outside the appliance through this opening into the valve compartment.
- Feed the necessary length of wire through the connector.
- Make all necessary wire connections to the junction box/receptacle and reassemble the junction box/receptacle to the outer shell.

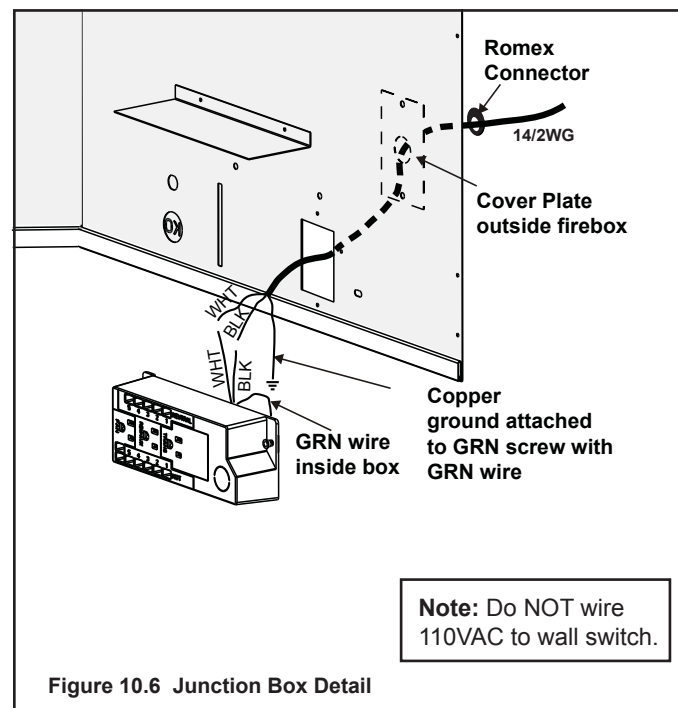


Figure 10.6 Junction Box Detail

# 11 Finishing

## A. Mantel Projections

Figure 11.1 shows the minimum vertical and corresponding maximum horizontal dimensions of appliance mantels or other combustible projections above the top front edge of the appliance.

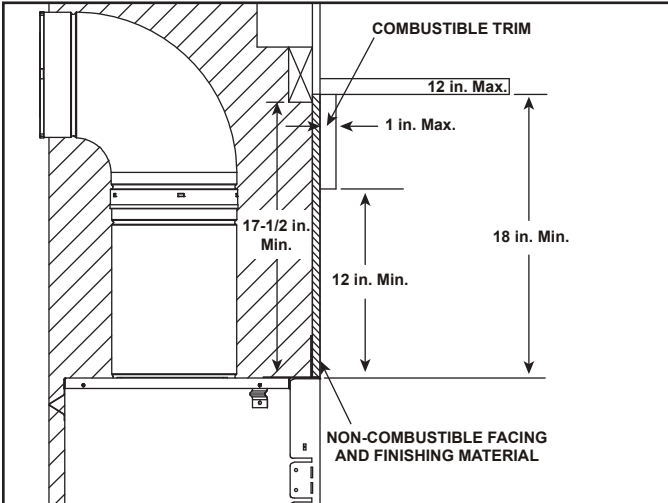


Figure 11.1 Clearances to mantels or other combustibles above appliance

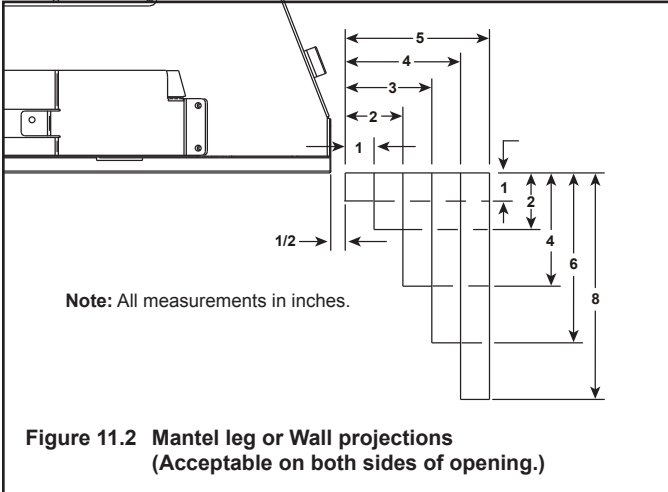


Figure 11.2 Mantel leg or Wall projections (Acceptable on both sides of opening.)

## B. Facing Material

**⚠ WARNING**

**Fire Risk.**  
Do NOT obstruct air inlet or outlet grilles.  
Do NOT modify grilles.

- Modifying or covering grilles could cause temperature rise and fire hazard.

Finishing materials must not interfere with:

- Air flow through grilles or louvers.
- Operation of louvers or doors.
- Access for service.

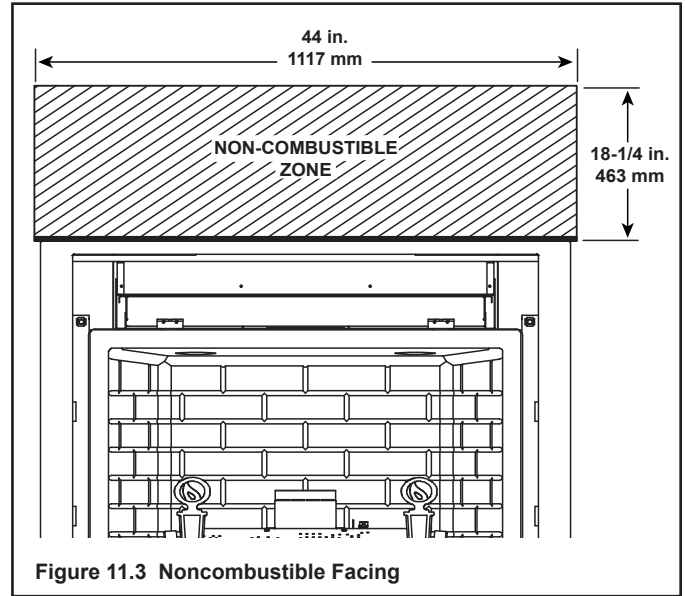


Figure 11.3 Noncombustible Facing

**⚠ WARNING**

**Risk of Fire**

- Non-combustible clearances **MUST** be maintained.

- Sheetrock, wood or other combustibles must **NOT** be used as sheathing or facing in the non-combustible zone.
- See **Section 11** for proper clearances.
- See **Section 1** for combustible/non-combustible definitions.

### Facing Requirements

This appliance requires the supplied non-combustible facing material from the top of the appliance face up 18-1/4 inches and extending across from framing stud to framing stud (see Figure 11.3).

Combustible finishing materials may be used along the sides of the appliance face but may not overlap the face. Non-combustible materials can overlap the black metal face of the unit on the sides, top and bottom, but must never overlap or obstruct the appliance opening or louvers.

**⚠ WARNING**

**Fire Risk.**  
Finish all edges and fronts to clearances and specifications listed in manual.

- Black metal appliance front may be covered with noncombustible material only.
- Do NOT overlap combustible materials onto appliance front.
- Install combustible materials only up to specified clearances on top, front and side.
- Seal joints between the finished wall and appliance top and sides using only a 300°F minimum sealant.

# 12 Appliance Setup

## A. Remove Shipping Materials



Remove shipping materials from inside or underneath the firebox.

## B. Clean the Appliance


Clean/vacuum any sawdust that may have accumulated inside the firebox or underneath in the control cavity.

## C. Accessories

Install approved accessories per instructions included with accessories. See Service Parts List for appropriate accessories. Refer to **Section 16**.

|  |  |
|--|--|
|   | <b>⚠ WARNING</b>   |
|  | <p>Shock or fire risk.<br/>Use <b>ONLY</b> optional accessories approved for this appliance.</p> <ul style="list-style-type: none"><li>• Using non-listed accessories voids warranty.</li><li>• Using non-listed accessories may result in a safety hazard.</li><li>• Only Hearth &amp; Home Technologies approved accessories may be used safely.</li></ul> |

## D. Ember Placement

|   |  |
|---|--|
| <b>⚠ WARNING</b>  |  |
|  | <p>Explosion Risk.</p> <ul style="list-style-type: none"><li>• Follow ember placement instructions in manual.</li><li>• Do <b>NOT</b> place embers directly over burner ports.</li><li>• Replace ember material annually.</li></ul> <p>Improperly placed embers interferes with proper burner operation.</p> |

### Placing the Ember Material

Ember material is shipped with this gas appliance. To place the ember material:

- Embers **CANNOT** be placed directly over ports. Care should be taken not to cover the lighting trail of ports (from back to front).
- When placing Glowing Embers® onto the burner care should be taken so that the ports are not covered. Place the dime-size ember pieces just in front of the port trail, but not on or in between the ports. Failure to follow this procedure will likely cause lighting and sooting problems.
- Place Mystic Embers on areas of base refractory away from port holes. Use this material to give the appliance a realistic ash bed.
- Save the remaining ember materials for use during appliance servicing. The embers provided should be enough for 3 to 5 applications.

## E. Positioning the Logs

## Log Assembly: LOGS-ULTIMATE

Carefully remove the logs from the packaging.  
CAUTION: Logs are fragile!

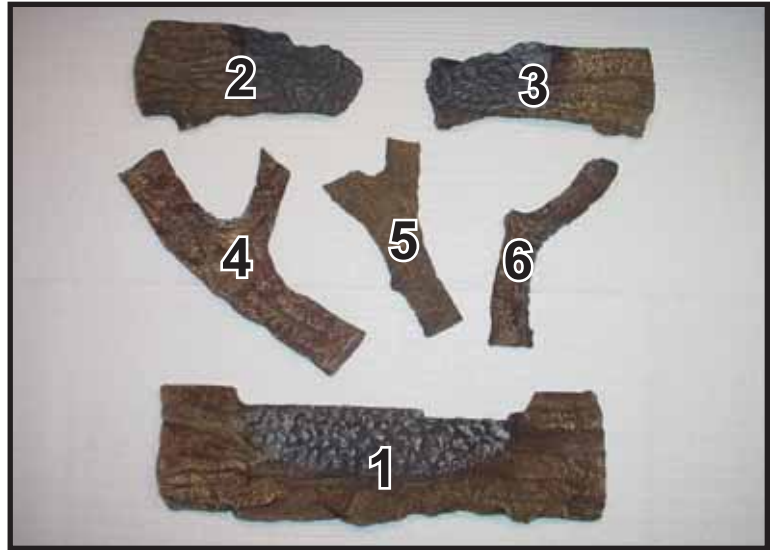


Figure 12.1

Carefully remove the grate from the foam supports and then remove the foam supports from around the burner.



Figure 12.2

Place grate on the base of the firebox surrounding the burner. The grate should be centered on the burner and pushed back until it contacts the burner.



Figure 12.3

**LOG #1: (SRV2062-701)**

Place log #1 on the back of burner. Rest log on back of the grate. The notches located on the bottom of the log should rest over the back corners of burner.



Figure 12.4

**LOG #2: (SRV2062-702)**

Place log #2 on the burner so that the bottom of the log conforms with the contour of the burner. The outside of the log should rest on the grate. The front of the log will rest against the right andiron.

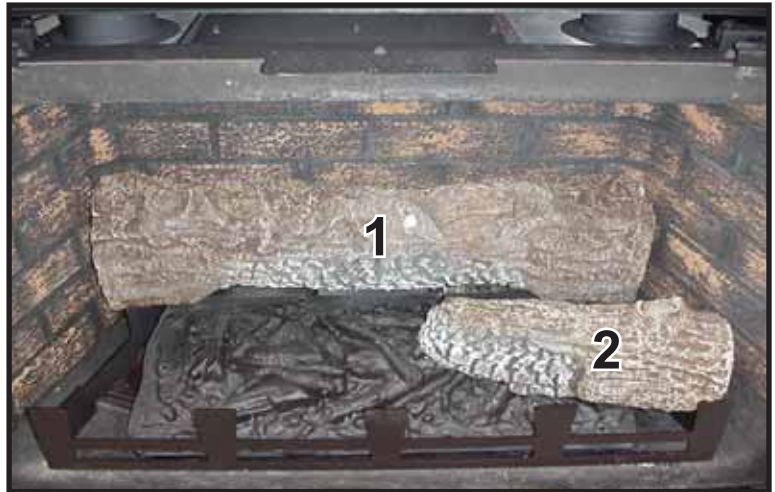


Figure 12.5

**LOG #3: (SRV2062-703)**

Place log #3 on the burner in the same way but on the left front of the burner.

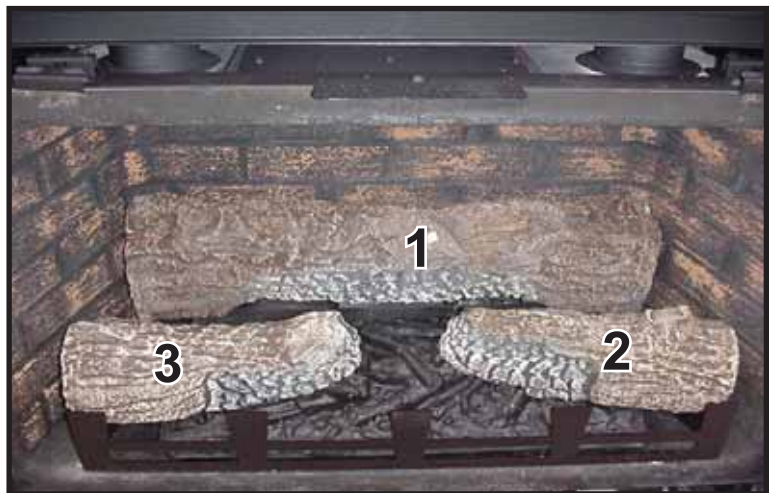


Figure 12.6

**LOG #4: (SRV330-706)**

Nest log #4 in the cut-out area on the right side of log #1. The thinnest “arm” of log #4 rests on top of log #2.

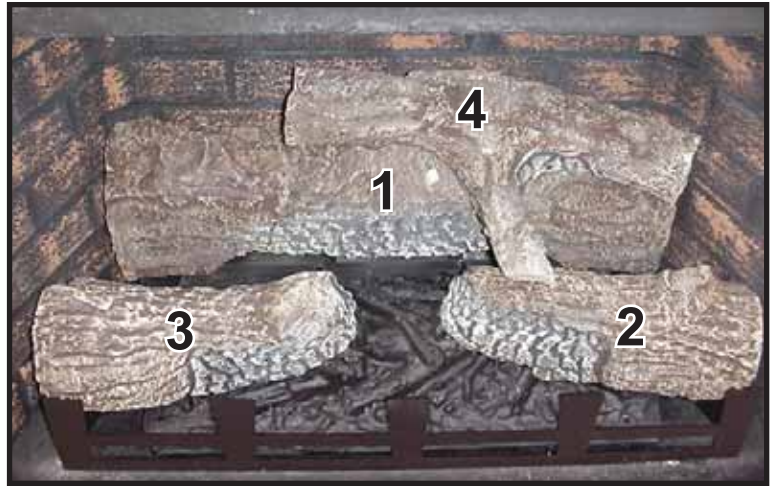


Figure 12.7

**LOG #5: (SRV330-704)**

Place the “Y” end of log #5 against the corresponding bump on log #3. The other end of the log should rest in the second smooth cut-out area on top of log #1.



Figure 12.8

**LOG #6: (SRV340-705)**

Rest log #6 on the left smooth cut-out area on top of log #1 and place the lower end on log #3. The notch on the bottom of log #6 should rest on the wedge shape on the end of log #3.

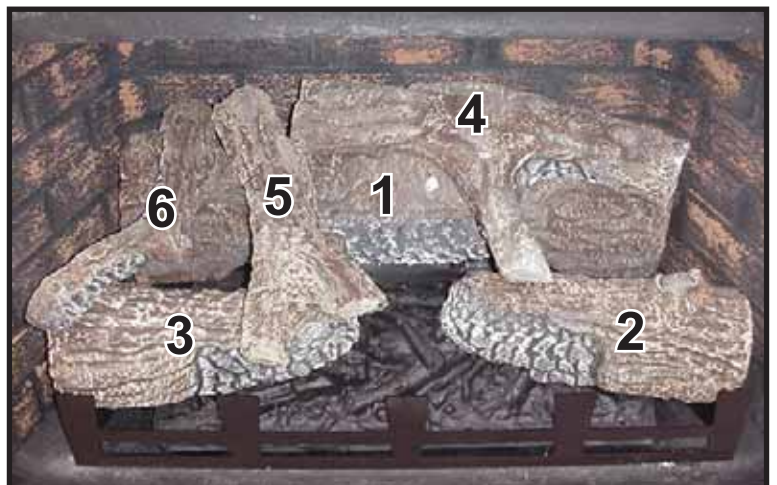


Figure 12.9

## F. Glass Assembly

### ⚠ WARNING



Handle glass doors with care.

- Inspect the gasket to ensure it is undamaged.
- Inspect the glass for cracks, chips or scratches.
- Do NOT strike, slam or scratch glass.
- Do NOT operate appliance with glass door removed, cracked, broken or scratched.
- Replace glass door assembly as a complete appliance.

### Removing Glass Assembly

Unlatch the two latches at the bottom of the glass door. Carefully pull the bottom of the door away from the unit and lower the top tabs on the door out of the top latches as tension is relieved.

### Replacing Glass Assembly

Angle the top of the glass door in toward the appliance and insert the tabs on top of the glass frame into the top latches. Rotate the bottom of the glass door toward the firebox with slight upward pressure. Latch the bottom spring latches securely onto the bottom glass door tabs.

## G. Burner Removal (Only for Servicing)

Loosen the shutter adjustment wing nut and move the shutter to the closed position (see Figure 12.10).

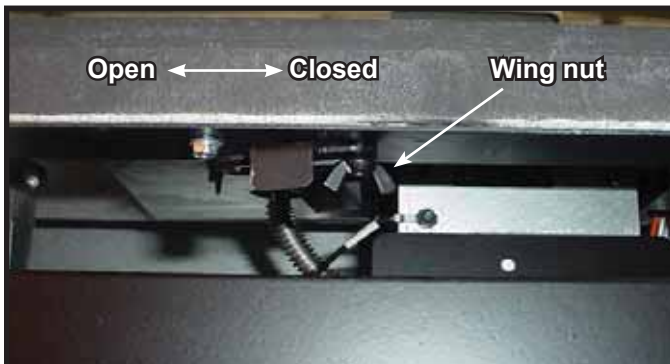


Figure 12.10

Remove the air baffle by removing the two screws attaching it to the burner. Remove the two screws holding the pilot and the one screw from the front of the burner (see Figure 12.11).

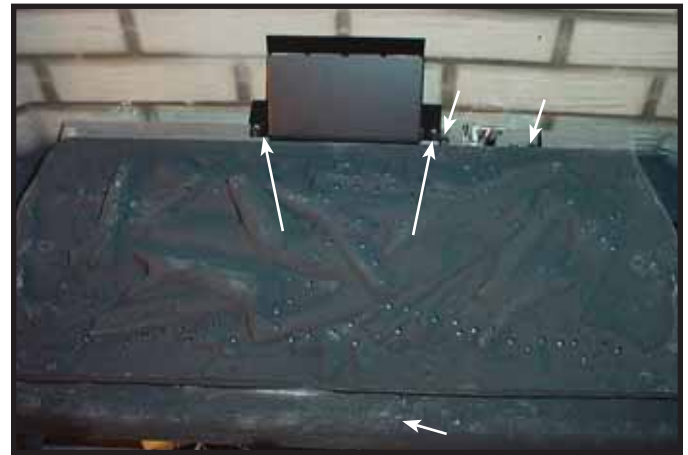


Figure 12.11

Slide the burner to the right while angling the right side of the burner forward until the burner is free of the shutter sleeve, then lift out burner (see Figure 12.12).



Figure 12.12

Using a 3/8" nut driver or wrench, remove the natural gas orifice and replace it with the LP orifice provided in this kit (see Figure 12.13).

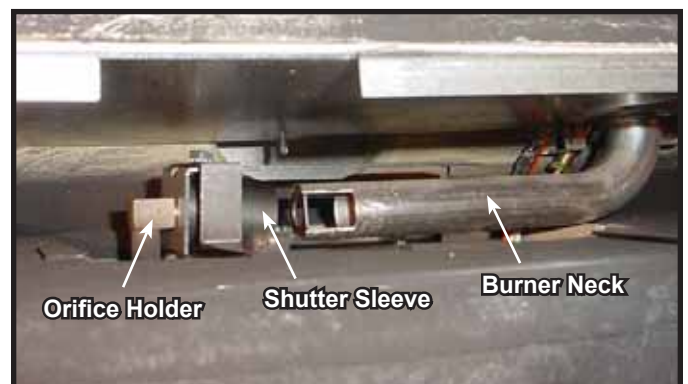


Figure 12.13



Replace the burner by first tipping the front of the burner up to get the burner neck started into the shutter sleeve (see Figure 12.14).



Figure 12.14

Once the neck is in the sleeve, slide the burner all the way to the left until the orifice goes into the burner neck and the neck contacts the orifice holder, and all the way back until the neck contacts the burner support.

While sliding the burner into position, make sure the pilot is not pushed aside and it is lined up for reattaching to the burner (see Figure 12.15).



Figure 12.15

Replace the screw in front of the burner to the burner bracket. Reattach the pilot assembly with two screws. Reattach the air baffle, sliding it back to contact the back of the firebox and replacing two screws (see Figure 12.11).

Move the air shutter to the open position and tighten the wing nut to secure it (see Figure 12.10).

## H. Grilles and Trim

Install optional marble and brass trim surround kits as desired. Marble, brass, brick, tile, or other noncombustible materials can be used to cover up the gap between the sheet rock and the appliance.

Do not obstruct or modify the air inlet/outlet grilles. When overlapping on both sides, leave enough space so that the bottom grille can be lowered and the trim door removed.

## I. Air Shutter Setting

This appliance has an adjustable air shutter (which controls the primary air) factory set for the minimum vertical vent run (see Figure 12.10). If your installation has more than the minimum required vertical vent length, adjustment of the air shutter may be necessary to obtain optimal flame appearance. **This should be adjusted by a qualified installer at the time of installation.**

By sliding the air shutter handle to the right, you will be closing the air shutter. To adjust loosen the wing nut. Care should be taken when adjusting the air shutter so as not to cause the appliance to soot. If sooting occurs the air shutter will need to be opened by sliding the handle to the left. When finished tighten wing nut.

# 13 Operating Instructions

## A. Before Lighting Appliance

This appliance has an Intellifire ignition system.

### CAUTION

If installing Intellifire ignition battery backup:

- Do not install batteries if the backup mode may not be used for extended time.
- Batteries may leak.
- Install batteries only when needed for power outage.

### Before operating this appliance have a qualified technician:

- Remove all shipping materials from inside and/or underneath the firebox.
- Review proper placement of logs, rockwool, lava rock, and vermiculite.
- Check the wiring.
- Check the air shutter adjustment.
- Ensure that there are no gas leaks.
- Ensure that the glass is sealed and in the proper position.
- Ensure that the flow of combustion and ventilation air is not obstructed (front grilles and vent caps).



### WARNING

Glass door must be in place when appliance is operating.

Risk of:

- Combustion Fumes
- Fire

Do NOT operate appliance with glass door removed.

- Open viewing glass for servicing only.

- Glass door MUST be in place and sealed before operating appliance.
- Only use glass door certified for use with appliance.
- Glass replacement should be done by qualified technician.

### WARNING



#### HOT SURFACES!

Glass and other surfaces are hot during operation AND cool down.

#### Hot glass will cause burns.

- DO NOT touch glass until it is cooled
- NEVER allow children to touch glass
- Keep children away
- CAREFULLY SUPERVISE children in same room as fireplace.
- Alert children and adults to hazards of high temperatures.

#### High temperatures may ignite clothing or other flammable materials.

- Keep clothing, furniture, draperies and other flammable materials away.

***This appliance has been supplied with an integral barrier to prevent direct contact with the fixed glass panel. DO NOT operate the appliance with the barrier removed.***

Contact your dealer or Hearth & Home Technologies if the barrier is not present or help is needed to properly install one.

### WARNING

Improper installation, adjustment, alteration, service or maintenance can cause injury or property damage. Refer to the owner's information manual provided with this appliance. For assistance or additional information consult a qualified installer, service agency or the gas supplier.

### WARNING

Do NOT use this appliance if any part has been under water. Immediately call a qualified service technician to inspect the appliance and to replace any part of the control system and any gas control which has been under water.

## B. Lighting Appliance

### IPI Ignition

#### FOR YOUR SAFETY READ BEFORE LIGHTING

**WARNING:** If you do not follow these instructions exactly, a fire or explosion may result causing property damage, personal injury or loss of life.

- A.** This appliance is equipped with an intermittent pilot ignition (IPI) device which automatically lights the burner. **DO NOT** try to light the burner by hand.
- Immediately call your gas supplier from a neighbor's phone. Follow the gas supplier's instructions.
  - If you cannot reach your gas supplier, call the fire department.

**B. BEFORE LIGHTING,** smell all around the appliance area for gas. Be sure to smell next to the floor because some gas is heavier than air and will settle on the floor.

#### WHAT TO DO IF YOU SMELL GAS

- **DO NOT** try to light any appliance.
- **DO NOT** touch any electric switch; do not use any phone in your building.

### WARNING:

**DO NOT CONNECT LINE VOLTAGE (110/120 VAC OR 220/240 VAC) TO THE CONTROL VALVE.**

Improper installation, adjustment, alteration, service or maintenance can cause injury or property damage. Refer to the owner's information manual provided with this appliance.

This appliance needs fresh air for safe operation and must be installed so there are provisions for adequate combustion and ventilation air.

If not installed, operated, and maintained in accordance with the manufacturer's instructions, this product could expose you to substances in fuel or fuel combustion which are known to the State of California to cause cancer, birth defects, or other reproductive harm.

Keep burner and control compartment clean. See installation and operating instructions accompanying appliance.

For additional information on operating your

Hearth & Home Technologies fireplace, please refer to [www.fireplaces.com](http://www.fireplaces.com).

- C. DO NOT** use this appliance if any part has been under water. Immediately call a qualified service technician to inspect the appliance and to replace any part of the control system and any gas control which has been under water.

### CAUTION:

Hot while in operation. **DO NOT** touch. Keep children, clothing, furniture, gasoline and other liquids having flammable vapors away.

**DO NOT** operate the appliance with fixed glass assembly removed, cracked or broken. Replacement of the fixed glass assembly should be done by a licensed or qualified service person.

### NOT FOR USE WITH SOLID FUEL

For use with natural gas and propane. A conversion kit, as supplied by the manufacturer, shall be used to convert this appliance to the alternate fuel.

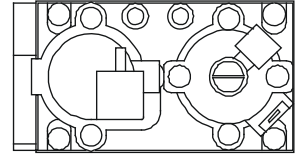
**Also Certified for Installation in a Bedroom or a Bedsitting Room.**

For assistance or additional information, consult a qualified installer, service agency or the gas supplier.

#### LIGHTING INSTRUCTIONS (IPI)

1. This appliance is equipped with an ignition device which automatically lights the burner. **DO NOT** try to light the burner by hand.

**GAS  
VALVE**



2. Wait five (5) minutes to clear out any gas. Then smell for gas, including near the floor. If you smell gas, **STOP!** Follow "B" in the Safety Information located on the left side of this label. If you do not smell gas, go to next step.
3. To light the burner:  
Equipped with wall switch: Turn ON/OFF switch to ON.  
Equipped with remote or wall control: Press ON or FLAME button.  
Equipped with thermostat: Set temperature to desired setting.
4. If the appliance does not light after three tries, call your service technician or gas supplier.

#### TO TURN OFF GAS TO APPLIANCE

1. Equipped with wall switch: Turn ON/OFF switch to OFF.  
Equipped with remote or wall control: Press OFF button.  
Equipped with thermostat: Set temperature to lowest setting.
2. Service technician should turn off electric power to the control when performing service.

593-913G

Final inspection by \_\_\_\_\_



## C. After Appliance is Lit

### Initial Break-in Procedure

When you light the appliance, you may notice that it produces heat which does have an associated odor or smell. If you feel this odor is excessive it may require the initial three to four hour continuous burn on high followed by a second burn up to 12 hours to fully drive off any odor from paint and lubricants used in the manufacturing process. Condensation of the glass is normal.



**Note:** The appliance should be run three to four hours on the initial start-up. Turn it off and let it cool completely. Remove and clean the glass. Replace the glass and run the appliance for an additional 12 hours. This will help to cure the products used in the paint and logs.

During this break-in period it is recommended that some windows in the house be opened for air circulation. This will help avoid setting off smoke detectors, and help eliminate any odors associated with the appliance's initial burning.

|  <b>WARNING</b> |   |
|--|---|
|                | <p>Fire Risk.<br/>High Temperatures.<br/>Keep combustible household items away from appliance.<br/>Do NOT obstruct combustion and ventilation air.</p> <ul style="list-style-type: none"> <li>• Do NOT place combustible items on top of or in front of appliance.</li> <li>• Keep furniture, draperies away from appliance.</li> </ul> |

| <b>CAUTION</b>   |
|--|
| <ul style="list-style-type: none"> <li>• Prevent accidental appliance operation when not attended.</li> <li>• Unplug or remove batteries from remote control if absent or if appliance will not be used for an extended period of time.</li> <li>• Property damage possible from elevated temperatures.</li> </ul> |

| <b>CAUTION</b>   |
|--|
| <p>Smoke and odors released during initial operation.</p> <ul style="list-style-type: none"> <li>• Open windows for air circulation.</li> <li>• Leave room during initial operation.</li> <li>• Smoke may set off smoke detectors.</li> </ul> <p>Smoke and odors may be irritating to sensitive individuals.</p> |

|  <b>WARNING</b> |   |
|--|---|
|                  | <p>Fire Hazard.<br/>Keep combustible materials, gasoline and other flammable vapors and liquids clear of appliance.</p> <ul style="list-style-type: none"> <li>• Do NOT store flammable materials in the appliance's vicinity.</li> <li>• Do NOT use gasoline, lantern fuel, kerosene, charcoal lighter fluid or similar liquids in this appliance.</li> <li>• Combustible materials may ignite.</li> </ul> |

## D. Frequently Asked Questions

| ISSUE   | SOLUTIONS   |
|---|---|
| Condensation on the glass                             | This is a result of gas combustion and temperature variations. As the appliance warms, this condensation will disappear.  |
| Blue flames   | This is a result of normal operation and the flames will begin to yellow as the appliance is allowed to burn for 20 to 40 minutes.  |
| Odor from appliance                                   | When first operated, this appliance may release an odor for the first several hours. This is caused by the curing of the paint and the burning off of any oils remaining from manufacturing. Odor may also be released from finishing materials and adhesives used around the appliance.          |
| Film on the glass                                     | This is a normal result of the curing process of the paint and logs. Glass should be cleaned within 3 to 4 hours of initial burning to remove deposits left by oils from the manufacturing process. A non-abrasive cleaner such as gas fireplace glass cleaner may be necessary. See your dealer. |
| Metallic noise  | Noise is caused by metal expanding and contracting as it heats up and cools down, similar to the sound produced by a furnace or heating duct. This noise does not affect the operation or longevity of the appliance.   |
| Is it normal to see the pilot flame burn continually? | In an Intellifire ignition system it is normal to see the pilot flame, but it should turn off when ON/OFF is turned off.  |

# 14 Troubleshooting

With proper installation, operation, and maintenance your gas appliance will provide years of trouble-free service. If you do experience a problem, this troubleshooting guide will assist a qualified service person in the diagnosis of a problem and the corrective action to be taken. This troubleshooting guide can only be used by a qualified service technician.

## A. Intellifire Ignition System

| Symptom  | Possible Cause  | Corrective Action  |
|--|---|--|
| 1. The ignitor/module makes noise, but no spark.   | a. Incorrect wiring.  | Verify "S" wire (white) for sensor and "I" wire (orange) for ignitor are connected to correct terminals on module and pilot assembly. Reversed wires at the module may cause system to make sparking noise, but spark may not be present at pilot hood.  |
|  | b. Loose connections or electrical shorts in the wiring.                    | Verify no loose connections or electrical shorts in wiring from module to pilot assembly. Rod closest to pilot hood should be ignitor. Verify connections underneath pilot assembly are tight; also verify connections are not grounding out to metal chassis, pilot burner, pilot enclosure, mesh screen if present, or any other metal object.   |
|  | c. Ignitor gap is too large.  | Verify gap of igniter to pilot hood. The gap should be approximately .17 inch or 1/8 inch.   |
|  | d. Faulty module.   | Turn ON/OFF rocker switch or wall switch to OFF position. Remove ignitor wire "I" from module. Place ON/OFF Rocker switch or wall switch in ON position. Hold ground wire about 3/16 inch away from "I" terminal on module. If there is no spark at "I" terminal module must be replaced. If there is a spark at "I" terminal, module is fine. Inspect pilot assembly for shorted sparker wire or cracked insulator around electrode.  |
| 2. Pilot won't light, there is no noise or spark.  | a. Transformer installed correctly.   | Verify that transformer is installed and plugged into module. Check voltage of transformer under load at spade connection on module with ON/OFF switch in ON position. Acceptable readings of a good transformer are between 3.2 and 2.8 volts AC.   |
|  | b. A shorted or loose connection in wiring configuration or wiring harness. | Remove and reinstall the wiring harness that plugs into module. Verify there is a tight fit. Verify pilot assembly wiring to module. Remove and verify continuity of each wire in wiring harness.  |
|  | c. Improper wall switch wiring.   | Verify that 110/VAC power is "ON" to junction box.   |
|  | d. Module not grounded.   | Verify black ground wire from module wire harness is grounded to metal chassis of appliance.   |
|  | e. Faulty module.   | Turn ON/OFF rocker switch or wall switch to OFF position. Remove ignitor wire "I" from module. Place ON/OFF Rocker switch or wall switch in ON position. Hold ground wire about 3/16 inch away from "I" terminal on module. If there is no spark at "I" terminal module must be replaced. If there is a spark at "I" terminal, module is fine. Inspect pilot assembly for shorted sparker wire or cracked insulator around electrode.  |
| 3. Pilot lights but continues to spark, and main burner will not ignite. (If the pilot continues to spark after the pilot flame has been lit, flame rectification has not occurred.) | a. A shorted or loose connection in sensor rod.                             | Verify all connections to wiring diagram in manual. Verify connections underneath pilot assembly are tight. Verify connections are not grounding out to metal chassis, pilot burner, pilot enclosure or screen if present, or any other metal object.  |
|  | b. Poor flame rectification or contaminated sensor rod.                     | Verify that flame is engulfing sensor rod. If the pilot assembly does not have a ground strap, consider installing one to increase flame rectification. Verify correct pilot orifice is installed and inlet gas specifications. Flame carries rectification current, not the gas. If flame lifts from pilot hood, the circuit is broken. A wrong orifice or too high an inlet pressure can cause pilot flame to lift. The sensor rod may be contaminated. Clean sensor rod with emery cloth. |

## Intellifire Ignition System - (continued)

| Symptom  | Possible Cause   | Corrective Action   |
|--|--|---|
| 3. (Continued) Pilot lights but continues to spark, and main burner will not ignite. (If the pilot continues to spark after the pilot flame has been lit, flame rectification has not occurred.) | c. Module is not grounded.                                     | Verify that module is securely grounded to metal chassis of appliance. Verify that wire harness is firmly connected to module.  |
|  | d. Damaged pilot assembly or dirty sensor rod.                 | Verify that ceramic insulator around the sensor rod is not cracked, damaged, or loose. Verify connection from sensor rod to white sensor wire. Clean sensor rod with emery cloth to remove any contaminants that may have accumulated on sensor rod. Verify continuity with a multimeter with ohms set at lowest range.   |
|  | e. Faulty module.  | Turn ON/OFF rocker switch or wall switch to OFF position. Remove ignitor wire "I" from module. Place ON/OFF Rocker switch or wall switch in ON position. Hold ground wire about 3/16 inch away from "I" terminal on module. If there is no spark at "I" terminal module must be replaced. If there is a spark at "I" terminal, module is fine. Inspect pilot assembly for shorted sparker wire or cracked insulator around electrode. |
| 4. Pilot sparks, but Pilot will not light.   | a. Correct gas supply.   | Verify that incoming gas line ball valve is "open". Verify that inlet pressure reading is within acceptable limits, inlet pressure must not exceed 14 in. W.C.  |
|  | b. Ignitor gap is too large.                                   | Verify that spark gap from ignitor to pilot hood is .17 in. or 1/8 in.  |
|  | c. Module is not grounded.                                     | Verify module is securely grounded to metal chassis of appliance.   |
|  | d. Module voltage output / Valve/Pilot solenoid ohms readings. | Verify battery voltage is at least 2.7 volts. Replace batteries if voltage is below 2.7.  |

# 15 Maintaining and Servicing Appliance

Although the frequency of appliance servicing and maintenance will depend on use and the type of installation, a qualified service technician should perform an appliance checkup at the beginning of each heating season.

## ⚠ WARNING

Risk of injury or property damage.

### Before servicing:

- Turn off gas.
- Turn off electricity to appliance.
- Disable remote control, if one is present.
- Ensure appliance is completely cooled.

### After servicing:

- Replace any screen or barrier that was removed.
- Reseal and reinstall any venting removed for servicing.

## ⚠ WARNING

Annual inspection by qualified technician recommended.

### Check:

- Condition of doors, surrounds and fronts.
- Condition of glass, glass assembly and glass seal.
- Obstructions of combustion and ventilation air.
- Condition of logs.
- Condition of firebox.
- Burner ignition and operation.
- Burner air shutter adjustment
- Gas connections and fittings.
- Obstructions of termination cap.

### Clean:

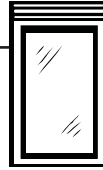
- Glass
- Air passageways, grilles, control compartment
- Burner, burner ports

### Risk of:

- Fire
- Delayed ignition or explosion
- Exposure to combustion fumes
- Odors



## CAUTION



Handle glass assembly with care.

**Note:** Clean glass after initial 3-4 hours operation. **Longer operation without cleaning glass may cause a permanent white film on glass.**

### When cleaning glass door:

- Avoid striking, scratching or slamming glass.
- Do NOT use abrasive cleaners.
- Use a hard water deposit glass cleaner on white film.
- Do NOT clean glass when hot.
- Turn off appliance after 3-4 hours of operation and ALLOW TO COOL.
- Remove and clean glass assembly.
- Replace glass assembly and operate appliance for additional 12 hours.

Refer to maintenance instructions.

## ⚠ WARNING



Inspect external vent cap regularly.

- Ensure no debris blocks cap.
- Combustible materials blocking cap may ignite.
- Restricted air flow affects burner operation.



## A. Maintenance Tasks

| Inspect                               | Maintenance Tasks   |
|---------------------------------------|---|
| Doors, Surrounds and Fronts           | 1. Assess condition of screen and replace as necessary. Recommend addition of screen if one is not present.   |
|                                       | 2. Inspect for scratches, dents or other damage and repair as necessary.  |
|                                       | 3. Verify no obstructions to airflow through the louvers.   |
|                                       | 4. Verify maintenance of proper clearance to combustible household objects.   |
| Gasket Seal, Glass Assembly and Glass | 1. Inspect gasket seal and its condition.   |
|                                       | 2. Inspect glass panels for scratches and nicks that can lead to breakage when exposed to heat.   |
|                                       | 3. Confirm there is no damage to glass or glass frame. Replace as necessary.  |
|                                       | 4. Verify that latches engage properly, clip studs are not stripped, and glass attachment components are intact and operating properly. Replace as necessary.                     |
|                                       | 5. Clean glass. Replace glass assembly if severely coated with silicate deposits that cannot be removed.  |
| Valve Compartment and Firebox Top     | 1. Vacuum and wipe out dust, cobwebs, debris or pet hair. Use caution when cleaning these areas. Screw tips that have penetrated the sheet metal are sharp and should be avoided. |
|                                       | 2. Remove any foreign objects.  |
|                                       | 3. Verify unobstructed air circulation.   |
| Logs                                  | 1. Inspect for broken, damaged, or missing logs. Replace as necessary.  |
|                                       | 2. Verify correct log placement and no flame impingement causing sooting. Correct as necessary.   |
| Firebox                               | 1. Inspect for paint condition, warpage, corrosion or perforation. Sand and repaint as necessary.   |
|                                       | 2. Replace appliance if firebox has been perforated.  |
| Burner Ignition and Operation         | 1. Verify burner is properly secured and aligned with pilot or igniter.   |
|                                       | 2. Clean off burner top, inspect for plugged ports, corrosion or deterioration. Replace burner if necessary.  |
|                                       | 3. Replace ember materials with new dime-size and shape pieces. Do not block ports or obstruct lighting paths.  |
|                                       | 4. Check for smooth lighting and ignition carryover to all ports. Verify there is no ignition delay.  |
|                                       | 5. Inspect for lifting or other flame problems.   |
|                                       | 6. Verify air shutter is clear of dust and debris.  |
|                                       | 7. Inspect orifice for soot, dirt or corrosion.   |
|                                       | 8. Verify manifold and inlet pressures. Adjust regulator as required.   |
|                                       | 9. Inspect pilot flame strength. Clean or replace orifice as necessary.   |
|                                       | 10. Inspect thermocouple/thermopile or IPI sensor rod for soot, corrosion and deterioration. Clean with emery cloth or replace as required.                                       |
|                                       | 11. Verify millivolt output. Replace as necessary.  |
| Venting                               | 1. Inspect venting for blockage or obstruction such as bird nests, leaves, etc.   |
|                                       | 2. Confirm that termination cap remains clear and unobstructed by plants, etc.  |
|                                       | 3. Verify that termination cap clearance to subsequent construction (building additions, decks, fences or sheds) has been maintained.   |
|                                       | 4. Inspect for corrosion or separation.   |
|                                       | 5. Verify weather stripping, sealing and flashing remains intact.   |
|                                       | 6. Inspect draft shield to verify it is not bent, damaged or missing.   |
| Remote controls                       | 1. Verify operation of remote.  |
|                                       | 2. Replace batteries in remote transmitters and battery-powered receivers.  |
|                                       | 3. Verify batteries have been removed from battery back-up IPI systems to prevent premature battery failure or leaking.   |
| Light Bulbs                           | 1. Replace as needed. See section 10 for instructions.  |



# 16 Reference Materials

## A. Appliance Dimension Diagram

Dimensions are actual appliance dimensions. Use for reference only. For framing dimensions and clearances refer to Section 3.

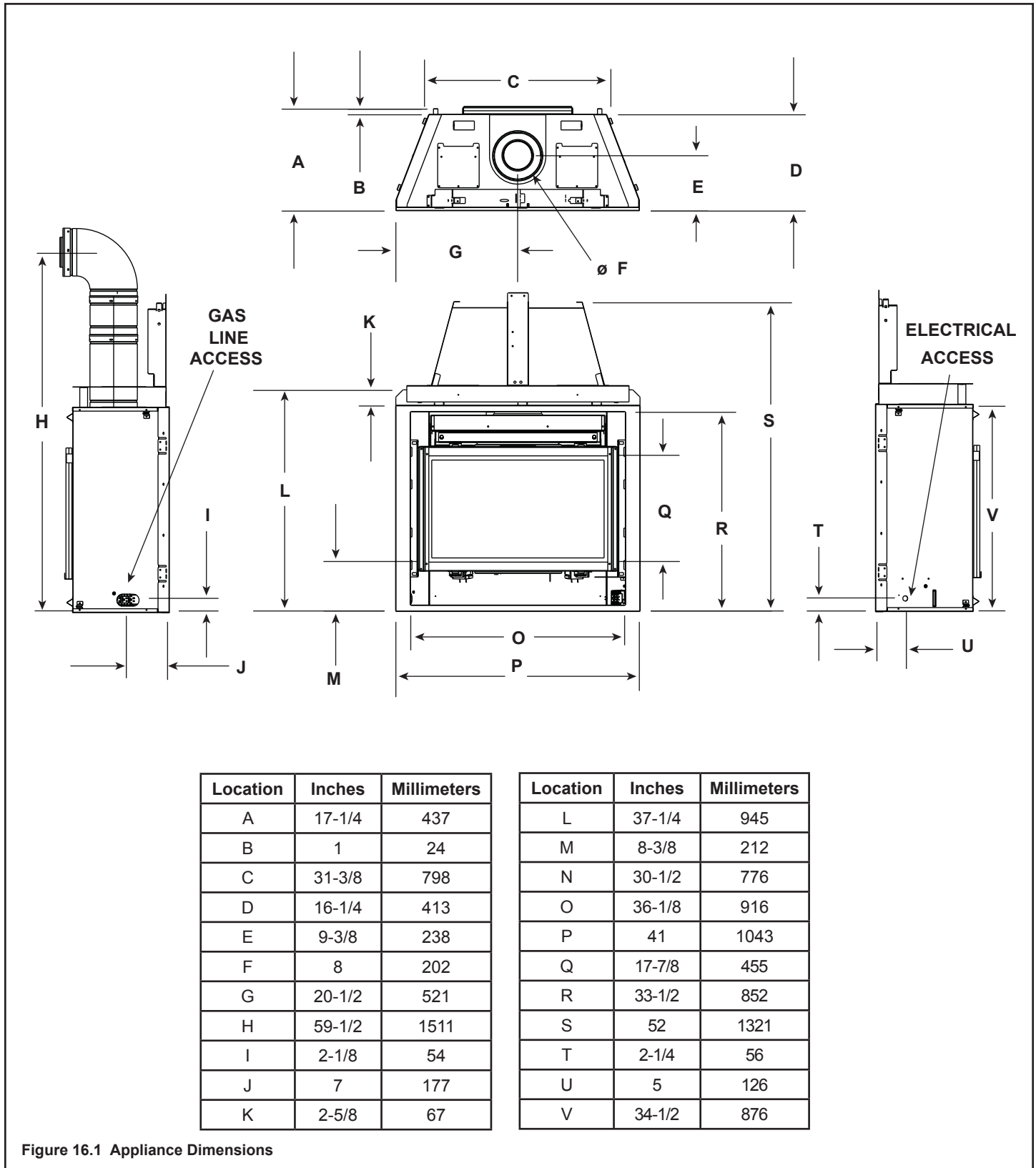
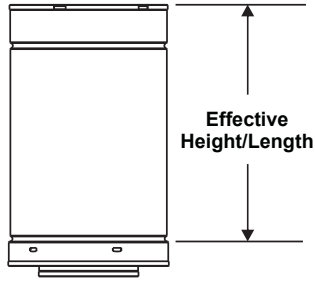


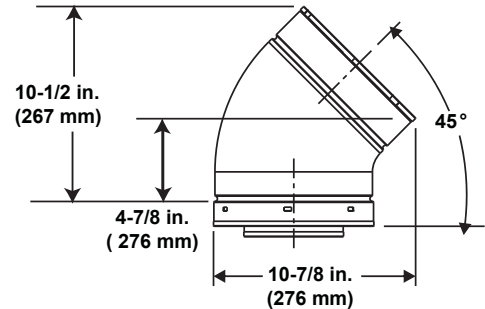
Figure 16.1 Appliance Dimensions

## B. Vent Components Diagrams

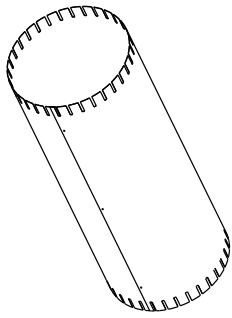


DVP Pipe (see chart)

| Pipe    | Effective Length |             |
|---------|------------------|-------------|
|         | Inches           | Millimeters |
| DVP4    | 4                | 102         |
| DVP6    | 6                | 152         |
| DVP12   | 12               | 305         |
| DVP24   | 24               | 610         |
| DVP36   | 36               | 914         |
| DVP48   | 48               | 1219        |
| DVP6A   | 3 to 6           | 76 to 152   |
| DVP12A  | 3 to 12          | 76 to 305   |
| DVP12MI | 3 to 12          | 76 to 305   |
| DVP24MI | 3 to 24          | 76 to 610   |

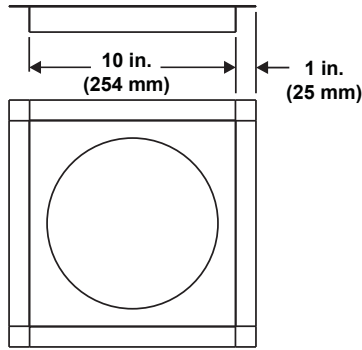


DVP45 (45° Elbow)

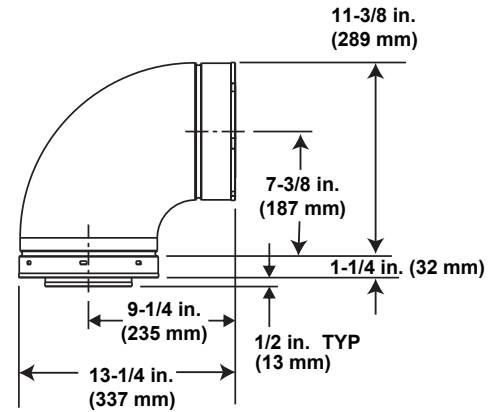


**Assembled**  
Height: 24 in./610 mm  
Diameter: 10 in./254 mm

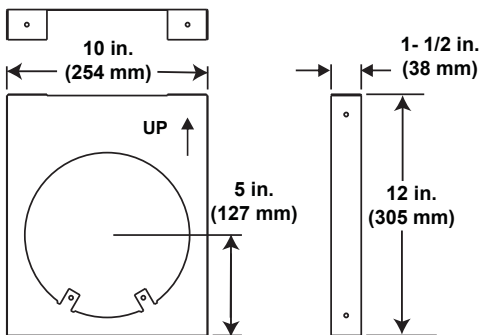
DVP-AS2



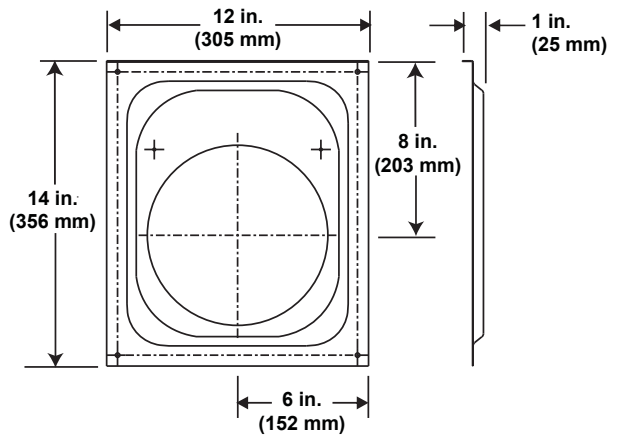
DVP-FS (Ceiling Firestop)



DVP90ST (90° Elbow)



DVP-HVS (Vent Support)

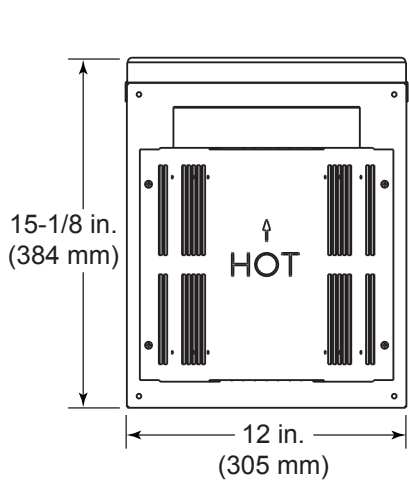


DVP-WS (Wall Shield Firestop)

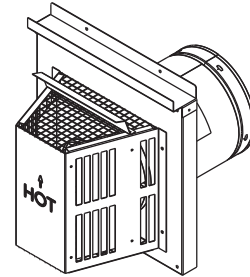
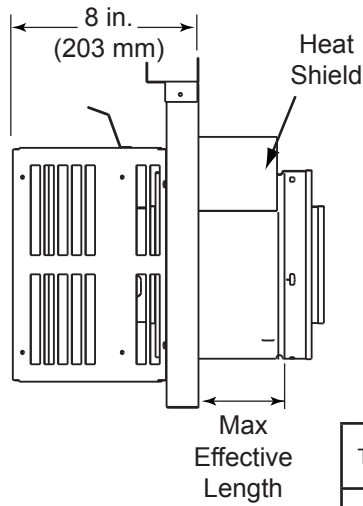
Figure 16.2 DVP vent components

## B. Vent Components Diagrams (continued)

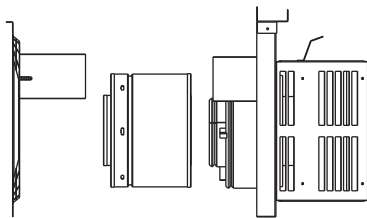
Note: Heat shields MUST overlap by a minimum of 1-1/2 in. (38 mm). **The heat shield is designed to be used on a wall 4 in. to 7-1/4 in. (102 mm to 184 mm) thick.** If wall thickness is less than 4 in. (102 mm) the existing heat shields must be field trimmed. If wall thickness is greater than 7-1/4 in. (184 mm) a DVP-HSM-B will be required.



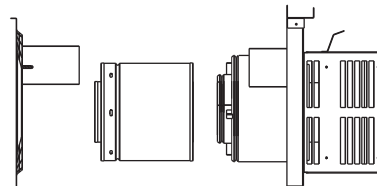
**DVP-TRAP**  
Horizontal Termination Cap



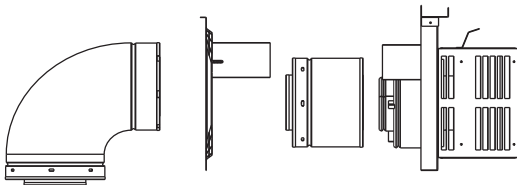
| Term Cap | Minimum Effective Length | Maximum Effective Length |
|----------|--------------------------|--------------------------|
| Trap1    | 4-1/8 in.                | 5-5/8 in.                |
|          | 105 mm                   | 143 mm                   |
| Trap2    | 6-3/4 in.                | 10-5/8 in.               |
|          | 171 mm                   | 270 mm                   |



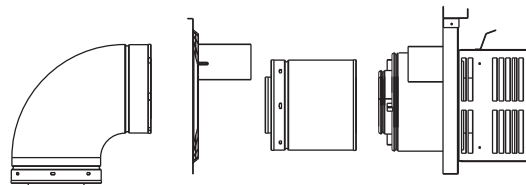
**DVP-TRAP1**



**DVP-TRAP2**



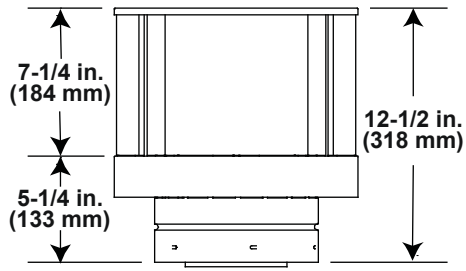
**DVP-TRAPK1**



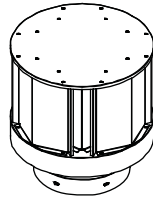
**DVP-TRAPK2**

Figure 16.3 DVP vent components

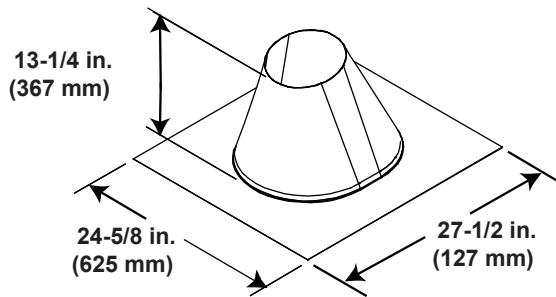
## B. Vent Components Diagrams (continued)



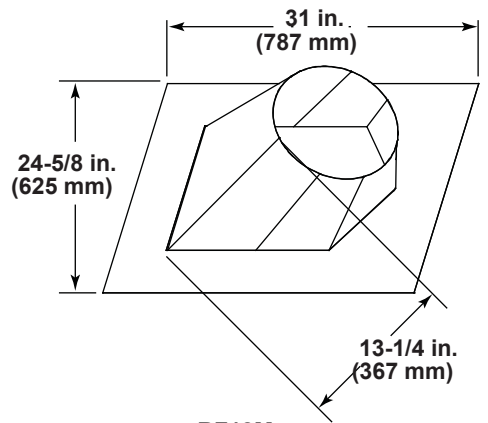
**DVP-TVHW**  
Vertical Termination Cap (Highwind)



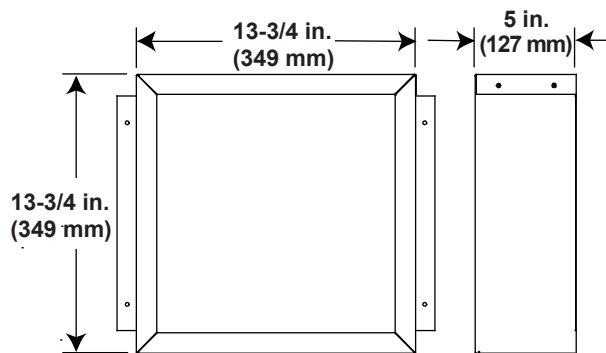
**DVP-HSM-B**  
Extended Heat Shield



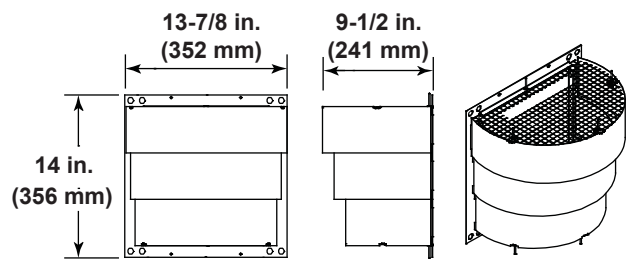
**RF6M**  
Roof Flashing Multi-pak



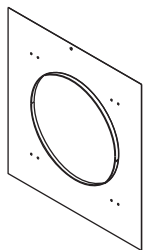
**RF12M**  
Roof Flashing Multi-pak



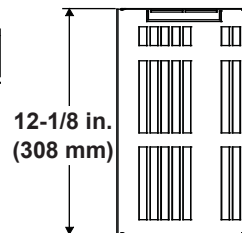
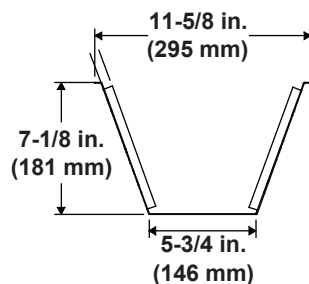
**BEK**  
Trap Cap Brick Extension



**DRC-RADIUS**  
Cap Shield



**DVP-TRAPFL**



**COOL-ADD**  
Cap Shield

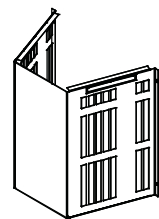


Figure 16.4 DVP vent components

## D. Limited Lifetime Warranty

### Hearth & Home Technologies Inc. LIMITED LIFETIME WARRANTY

Hearth & Home Technologies Inc., on behalf of its hearth brands ("HHT"), extends the following warranty for HHT gas, wood, pellet, coal and electric hearth appliances that are purchased from an HHT authorized dealer.

#### **WARRANTY COVERAGE:**

HHT warrants to the original owner of the HHT appliance at the site of installation, and to any transferee taking ownership of the appliance at the site of installation within two years following the date of original purchase, that the HHT appliance will be free from defects in materials and workmanship at the time of manufacture. After installation, if covered components manufactured by HHT are found to be defective in materials or workmanship during the applicable warranty period, HHT will, at its option, repair or replace the covered components. HHT, at its own discretion, may fully discharge all of its obligations under such warranties by replacing the product itself or refunding the verified purchase price of the product itself. The maximum amount recoverable under this warranty is limited to the purchase price of the product. This warranty is subject to conditions, exclusions and limitations as described below.

#### **WARRANTY PERIOD:**

Warranty coverage begins on the date of original purchase. In the case of new home construction, warranty coverage begins on the date of first occupancy of the dwelling or six months after the sale of the product by an independent, authorized HHT dealer/ distributor, whichever occurs earlier. The warranty shall commence no later than 24 months following the date of product shipment from HHT, regardless of the installation or occupancy date. The warranty period for parts and labor for covered components is produced in the following table.

The term "Limited Lifetime" in the table below is defined as: 20 years from the beginning date of warranty coverage for gas appliances, and 10 years from the beginning date of warranty coverage for wood, pellet, and coal appliances. These time periods reflect the minimum expected useful lives of the designated components under normal operating conditions.

| Warranty Period  |         | HHT Manufactured Appliances and Venting |      |        |          |      |          |         | Components Covered   |
|------------------|---------|---|------|--------|----------|------|----------|---------|--|
| Parts            | Labor   | Gas                                     | Wood | Pellet | EPA Wood | Coal | Electric | Venting |  |
| 1 Year           |         | X                                       | X    | X      | X        | X    | X        | X       | All parts and material except as covered by Conditions, Exclusions, and Limitations listed |
| 2 years          |         |   |      | X      | X        | X    |          |         | Igniters, electronic components, and glass   |
|                  |         | X                                       | X    | X      | X        | X    |          |         | Factory-installed blowers  |
|                  |         |   | X    |        |          |      |          |         | Molded refractory panels   |
| 3 years          |         |   |      | X      |          |      |          |         | Firepots and burnpots  |
| 5 years          | 1 year  |   |      | X      | X        |      |          |         | Castings and baffles   |
| 7 years          | 3 years |   | X    | X      | X        |      |          |         | Manifold tubes, HHT chimney and termination  |
| 10 years         | 1 year  | X                                       |      |        |          |      |          |         | Burners, logs and refractory   |
| Limited Lifetime | 3 years | X                                       | X    | X      | X        | X    |          |         | Firebox and heat exchanger   |
| 90 Days          |         | X                                       | X    | X      | X        | X    | X        | X       | All replacement parts beyond warranty period   |

See conditions, exclusions, and limitations on next page.

## D. Limited Lifetime Warranty (*continued*)

### **WARRANTY CONDITIONS:**

- This warranty only covers HHT appliances that are purchased through an HHT authorized dealer or distributor. A list of HHT authorized dealers is available on the HHT branded websites.
- This warranty is only valid while the HHT appliance remains at the site of original installation.
- Contact your installing dealer for warranty service. If the installing dealer is unable to provide necessary parts, contact the nearest HHT authorized dealer or supplier. Additional service fees may apply if you are seeking warranty service from a dealer other than the dealer from whom you originally purchased the product.
- Check with your dealer in advance for any costs to you when arranging a warranty call. Travel and shipping charges for parts are not covered by this warranty.

### **WARRANTY EXCLUSIONS:**

This warranty does not cover the following:

- Changes in surface finishes as a result of normal use. As a heating appliance, some changes in color of interior and exterior surface finishes may occur. This is not a flaw and is not covered under warranty.
- Damage to printed, plated, or enameled surfaces caused by fingerprints, accidents, misuse, scratches, melted items, or other external sources and residues left on the plated surfaces from the use of abrasive cleaners or polishes.
- Repair or replacement of parts that are subject to normal wear and tear during the warranty period. These parts include: paint, wood, pellet and coal gaskets, firebricks, grates, flame guides, light bulbs, batteries and the discoloration of glass.
- Minor expansion, contraction, or movement of certain parts causing noise. These conditions are normal and complaints related to this noise are not covered by this warranty.
- Damages resulting from: (1) failure to install, operate, or maintain the appliance in accordance with the installation instructions, operating instructions, and listing agent identification label furnished with the appliance; (2) failure to install the appliance in accordance with local building codes; (3) shipping or improper handling; (4) improper operation, abuse, misuse, continued operation with damaged, corroded or failed components, accident, or improperly/incorrectly performed repairs; (5) environmental conditions, inadequate ventilation, negative pressure, or drafting caused by tightly sealed constructions, insufficient make-up air supply, or handling devices such as exhaust fans or forced air furnaces or other such causes; (6) use of fuels other than those specified in the operating instructions; (7) installation or use of components not supplied with the appliance or any other components not expressly authorized and approved by HHT; (8) modification of the appliance not expressly authorized and approved by HHT in writing; and/or (9) interruptions or fluctuations of electrical power supply to the appliance.
- Non-HHT venting components, hearth components or other accessories used in conjunction with the appliance.
- Any part of a pre-existing fireplace system in which an insert or a decorative gas appliance is installed.
- HHT's obligation under this warranty does not extend to the appliance's capability to heat the desired space. Information is provided to assist the consumer and the dealer in selecting the proper appliance for the application. Consideration must be given to appliance location and configuration, environmental conditions, insulation and air tightness of the structure.

### **This warranty is void if:**

- The appliance has been over-fired or operated in atmospheres contaminated by chlorine, fluorine, or other damaging chemicals. Over-firing can be identified by, but not limited to, warped plates or tubes, rust colored cast iron, bubbling, cracking and discoloration of steel or enamel finishes.
- The appliance is subjected to prolonged periods of dampness or condensation.
- There is any damage to the appliance or other components due to water or weather damage which is the result of, but not limited to, improper chimney or venting installation.

### **LIMITATIONS OF LIABILITY:**

- The owner's exclusive remedy and HHT's sole obligation under this warranty, under any other warranty, express or implied, or in contract, tort or otherwise, shall be limited to replacement, repair, or refund, as specified above. In no event will HHT be liable for any incidental or consequential damages caused by defects in the appliance. Some states do not allow exclusions or limitation of incidental or consequential damages, so these limitations may not apply to you. This warranty gives you specific rights; you may also have other rights, which vary from state to state. EXCEPT TO THE EXTENT PROVIDED BY LAW, HHT MAKES NO EXPRESS WARRANTIES OTHER THAN THE WARRANTY SPECIFIED HEREIN. THE DURATION OF ANY IMPLIED WARRANTY IS LIMITED TO DURATION OF THE EXPRESSED WARRANTY SPECIFIED ABOVE.

**E. Contact Information**



No one builds a better fire

Heat & Glo, a brand of Hearth & Home Technologies Inc.  
7571 215<sup>th</sup> Street West, Lakeville, MN 55044  
www.heatnglo.com

Please contact your Heat & Glo dealer with any questions or concerns.  
For the location of your nearest Heat & Glo dealer,  
please visit [www.heatnglo.com](http://www.heatnglo.com).

**- Notes -**

---

---

---

---

---

---

---



---

---

---

---

---

|   |  |   |   |
|---|--|---|---|
| <b>CAUTION</b>  |  |   |   |
| <b>DO NOT DISCARD THIS MANUAL</b>   |  |   |   |
|  | <ul style="list-style-type: none"><li>• Important operating and maintenance instructions included.</li></ul> | <ul style="list-style-type: none"><li>• Read, understand and follow these instructions for safe installation and operation.</li><li>• Leave this manual with party responsible for use and operation.</li></ul> |  |

This product may be covered by one or more of the following patents: (United States) 5328356, 5601073, 5613487, 5647340, 5890485, 5941237, 5947112, 5996575, 6006743, 6019099, 6053165, 6145502, 6170481, 6374822, 6484712, 6601579, 6769426, 6863064, 7077122, 7098269, 7258116, 7470729 or other U.S. and foreign patents pending.

2000-945

Printed in U.S.A. - Copyright 2011