

Halston and Galleria Doors

Models: 6000G, 6000GL, 6000GLX, BE-41C, SL-36-Ultimate

- Installation Instructions -

It is very important to know what kind of finishing materials are going to be used on the fireplace. The doors are made to overlap finishing material up to 1 inch thick (see Figure 1).

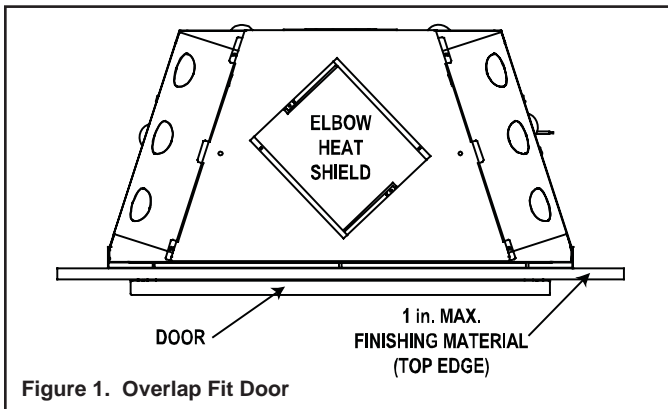


Figure 1. Overlap Fit Door

The doors can be used as an inside fit for finishing materials from 1 inch to 3 inch thick. Finishing materials over 3 inches thick can be used but the doors will not open to a 90° position (see Figure 2). A template is available to assist with proper sizing of the finishing material.

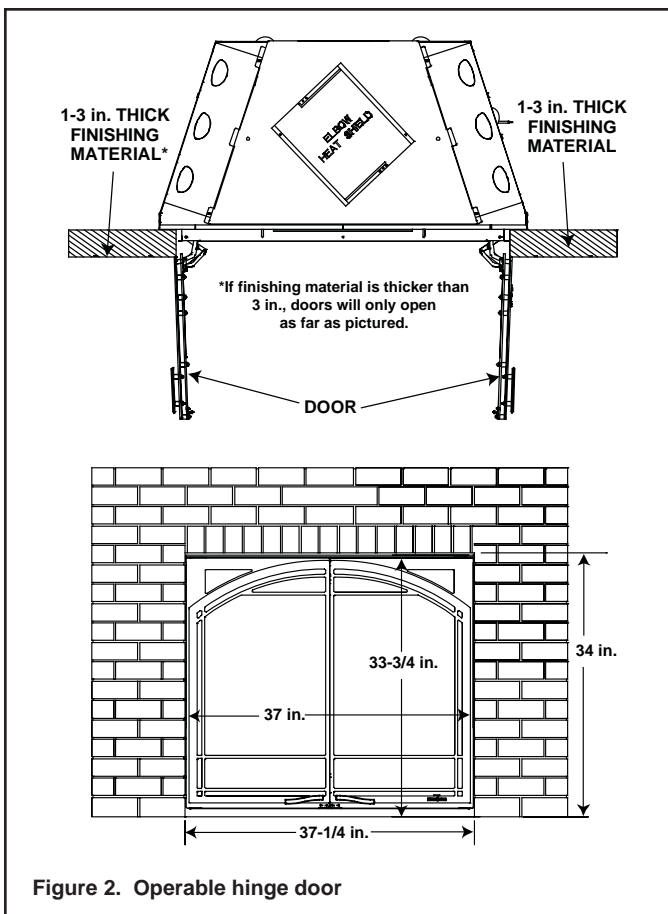


Figure 2. Operable hinge door

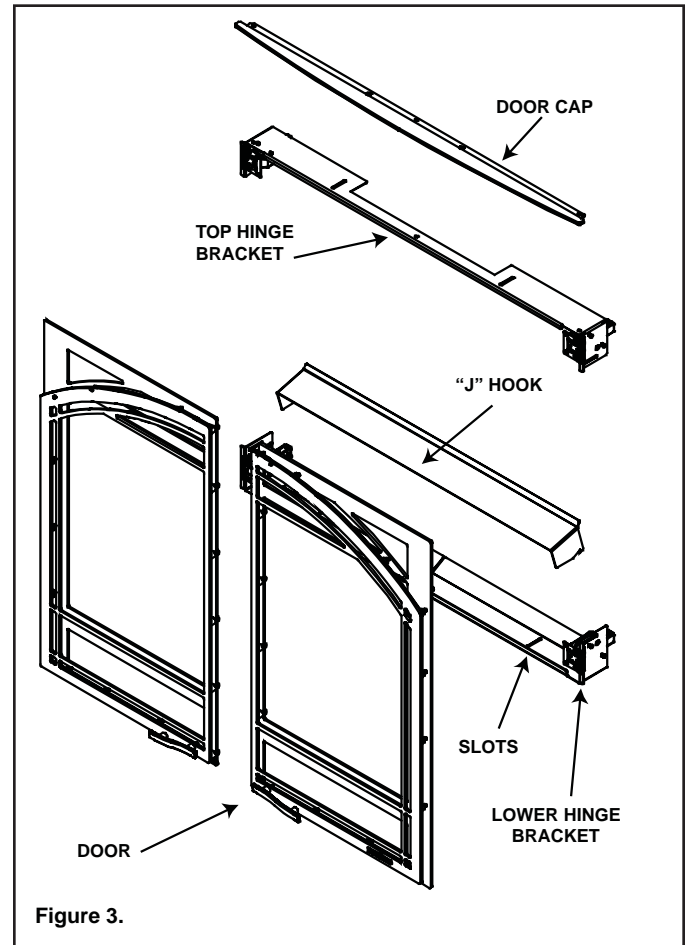


Figure 3.

1. Remove all materials from the packaging.
2. The lower hinge bracket has the spring latches attached to it. Place this bracket in the lower fireplace surround opening.
3. Slide the bracket tight against the finishing material (up to 1 inch thick). Locate the slot on each side of the bracket. If the door is to be used as an inside fit, pull the bracket all the way forward. Tighten a bolt into each slot (see Figure 4).
4. Locate the heavy steel door cap and top hinge bracket. Attach the cap to the hinge bracket with three nuts included. **Note:** Remove hood clips on BE-41C.

Printed in U.S.A. • Copyright 2007
Heat & Glo, Hearth & Home Technologies Inc.
20802 Kensington Boulevard, Lakeville, MN 55044

5. Place the top bracket in the upper fireplace surround opening. Slide the bracket tight against the finishing material (up to 1 inch thick). If the door is to be used as an inside fit, pull the bracket all the way forward. Locate the slot on each side of the bracket. Tighten a bolt into each slot.
6. Locate the slots in the hinge brackets. On the bottom drive two self-tapping screws into the pilot holes in the fireplace surround to help lock the bracket in place. On the top, drive two self-tapping screws into the slots. On top there are no pilot holes (see Figures 4 and 5).

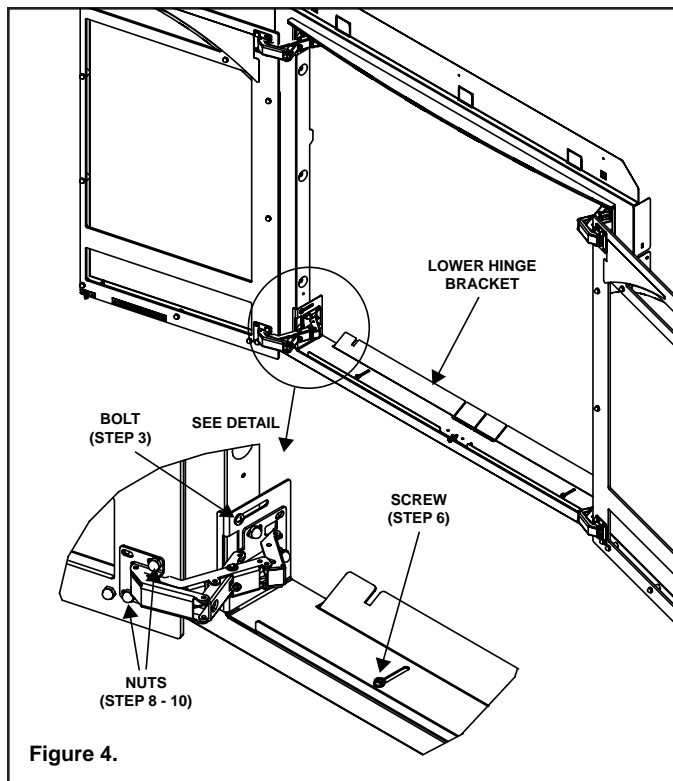


Figure 4.

7. Grasp the hinges and rotate them open.
8. Install the left door on the hinges and tighten one nut on each of the four bolts, two on top hinge and two on the bottom (see Figure 4).
9. Install the right door on the hinges and tighten one nut on each of the four bolts, two on top hinge and two on the bottom.
10. Close the doors and observe how they line up. Open one door at a time and loosen the four nuts on the hinges. Adjust the door as needed and retighten. The lower spring clips are adjustable in and out.

11. Install the valve shield by hooking the “J” hooks into the small slots on the back side of the lower hinge bracket. Close the doors.
12. If the finishing material is installed unevenly, you may need to adjust the hinge brackets. If needed, loosen the bolt(s) and screws on the hinge bracket, slide the bracket out and retighten.
13. To lock the doors shut, insert the black 10-24 phillips head bolt through the small notches by the handles. Tighten the bolt into the threaded insert mounted between the spring clips on the lower hinge bracket (see Figure 5).
14. To unlock the doors, remove the bolt and open the doors. Reinstall the bolt into the threaded insert from the back side so the bolt doesn't interfere with the door operation.

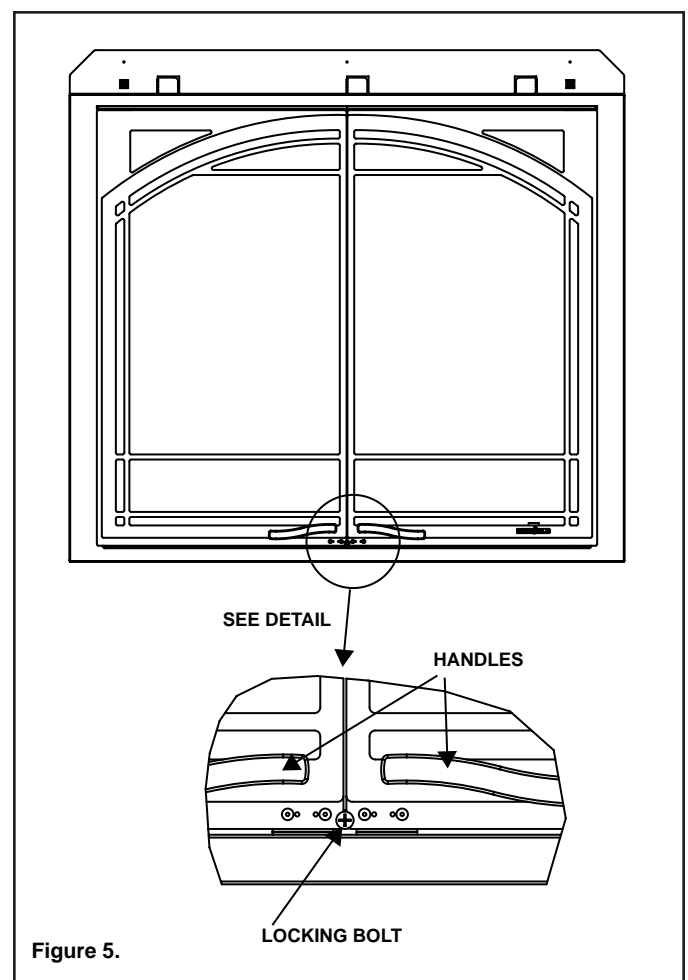


Figure 5.