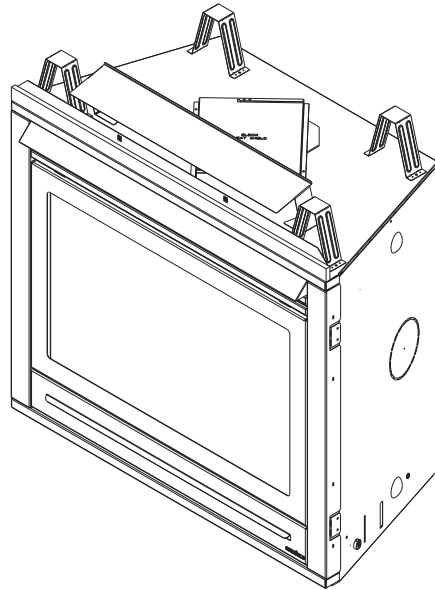


# HEAT & GLO™

No one builds a better fire

## INSTALLATION AND OPERATION INSTRUCTIONS



### MODEL: 6000TRSI-AUC

AUSTRALIAN GAS ASSOCIATION CERTIFIED  
CERTIFICATE NUMBER 5668

#### ⚠ WARNING



##### **HOT SURFACES!**

Glass and other surfaces are hot during operation AND cool down.

##### **Hot glass will cause burns.**

- **DO NOT** touch glass until it is cooled
- **NEVER** allow children to touch glass
- Keep children away
- **CAREFULLY SUPERVISE** children in same room as fireplace.
- Alert children and adults to hazards of high temperatures.

##### **High temperatures may ignite clothing or other flammable materials.**

- Keep clothing, furniture, draperies and other flammable materials away.

***This appliance has been supplied with an integral barrier to prevent direct contact with the fixed glass panel. DO NOT operate the appliance with the barrier removed.***

**THIS MANUAL MUST BE USED FOR INSTALLATION AND RETAINED  
BY HOMEOWNER FOR OPERATION AND MAINTENANCE.**

**HEAT & GLO, a brand of Hearth & Home Technologies Inc.  
7571 215<sup>th</sup> Street West, Lakeville, MN 55044, USA, [www.heatnglo.com](http://www.heatnglo.com)**

→ This product is covered by one or more of the following patents: (United States) 5328356, 5601073, 5613487, 5647340, 5890485, 5941237, 5947112, 5996575, 6006743, 6019099, 6053165, 6145502, 6170481, 6374822, 6484712, 6601579, 6769426, 6863064, 7077122, 7098269, 7258116, 7470729 or other U.S. and foreign patents pending.

# HEAT & GLO™

No one builds a better fire

**PLEASE READ THIS MANUAL BEFORE INSTALLING AND  
USING THIS APPLIANCE.**

## **MODEL 6000TRSI-AUC**

**IS AUSTRALIAN GAS ASSOCIATION APPROVED  
FOR NATURAL GAS OR PROPANE AS A  
BALANCED FLUE HEATER.**

Refer to the appliance data plates for gas consumptions and pressures.

Installation of this appliance should only be carried out by an authorized person in accordance with the manufacturers instructions. All relevant codes and regulations laid down by the gas fitting authorities, municipal building regulations, electrical wiring regulations, and the requirements of the AGA Gas Installation Code must be observed.

This appliance and its components are tested and safe when installed in accordance with this Installation Manual. Report to your dealer any parts damaged in shipment, specifically check glass condition. The gas logs and flue system components are in separate packages.

Read all instructions before starting installation and follow these instructions carefully during installation to ensure maximum benefit and safety. Failure to follow them will void your warranty and may present a fire hazard.

The Heat & Glo warranty will be voided by, and Heat & Glo disclaims any responsibility for the following actions:

- Installation of any damaged heater or flue system component
- Modification of the heater or balanced flue system installation other than as instructed by Heat & Glo.
- Improper positioning of the gas logs or the glass door
- Installation and/or use of any component part not manufactured or approved by Heat & Glo, notwithstanding any independent testing laboratory or other party approval of such component part or accessory.

**IMPORTANT:** Read all instructions carefully before starting installation. Failure to follow these installation instructions may result in a possible fire hazard and will void the warranty. Save this manual for future reference.

Heat & Glo, a brand of Hearth & Home Technologies, Inc.  
7571 215<sup>th</sup> Street West, Lakeville, MN 55044  
Copyright 2009 • Printed in U.S.A.

# TABLE OF CONTENTS

<b>1.0 INSTALLATION INSTRUCTIONS</b> .....	4
A. Locating the Heater .....	5
B. Framing the Heater.....	6
C. Flue System Approvals and Installations.....	8
D. Connecting the Gas Supply.....	19
E. Ignition System Wiring.....	20
F. Mantel Clearances.....	22
G. Log Placement.....	23
H. Installer Testing.....	25
<b>2.0 OPERATING INSTRUCTIONS</b> .....	25
A. Safety and Lighting Information.....	27
B. Power Outage.....	28
C. Fan Operation.....	28
<b>3.0 SERVICING AND MAINTENANCE</b> .....	29
A. Removal of Covers for Servicing.....	30
B. Removal of Components for Service.....	30
C. Parts Replacement.....	30
D. Adjustments and Replacement Parts.....	30
E. Troubleshooting.....	31
<b>4.0 REPLACEMENT PARTS</b> .....	34
Limited Lifetime Warranty.....	37
Vent Components Diagrams.....	39

## 1.0 INSTALLATION INSTRUCTIONS

When planning a heater installation, it's necessary to determine:

- Where the unit is to be installed.
- The flue system configuration to be used.
- Gas supply piping.
- Electrical wiring.
- Framing and finishing details.

If the heater is to be installed on carpeting or tile, or on any combustible material other than wood flooring, the heater should be installed on a metal or wood panel that extends the full width and depth of the heater.

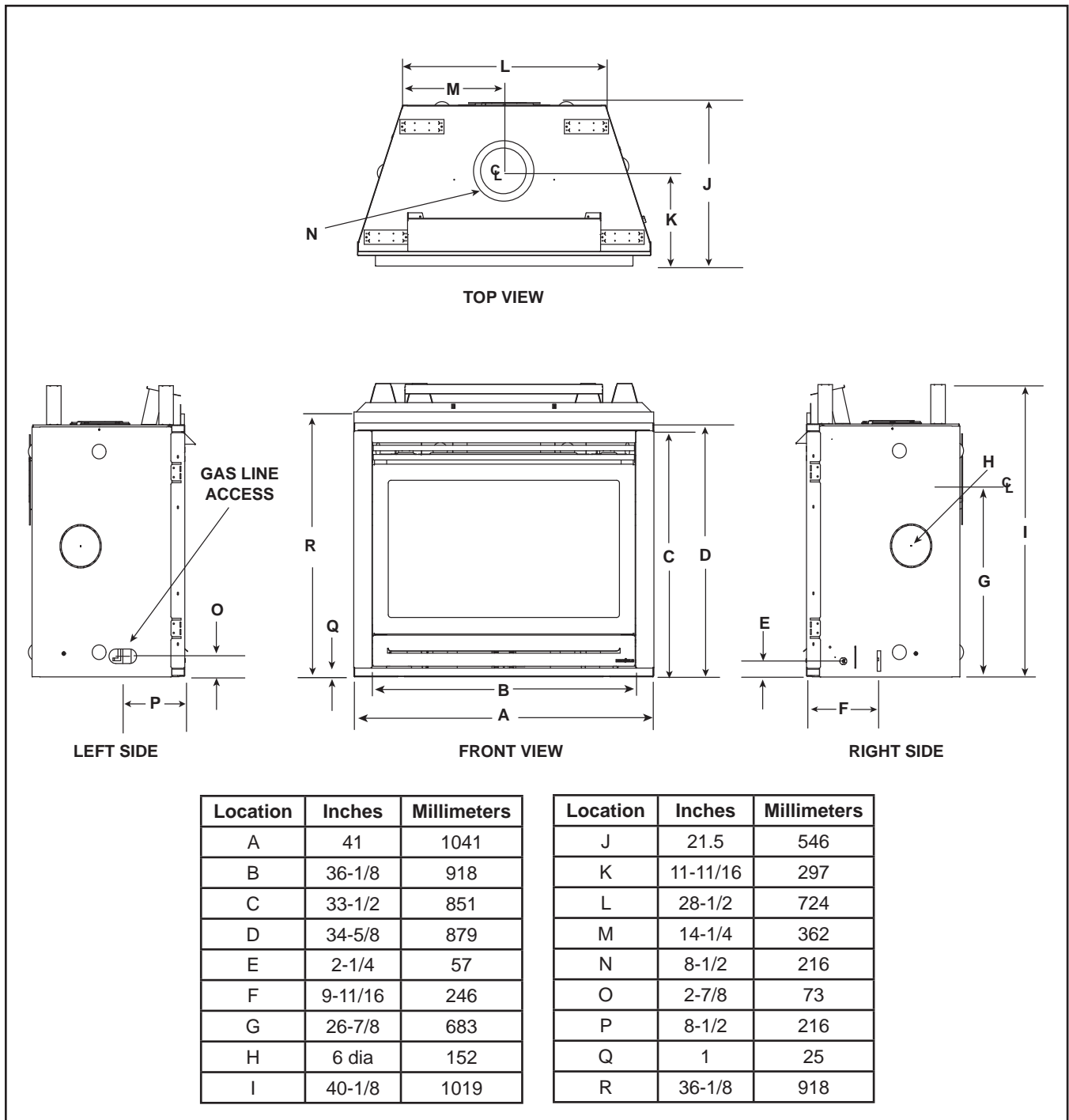


Figure 1.1 Diagram of the 6000 Series

## A. Locating the Heater

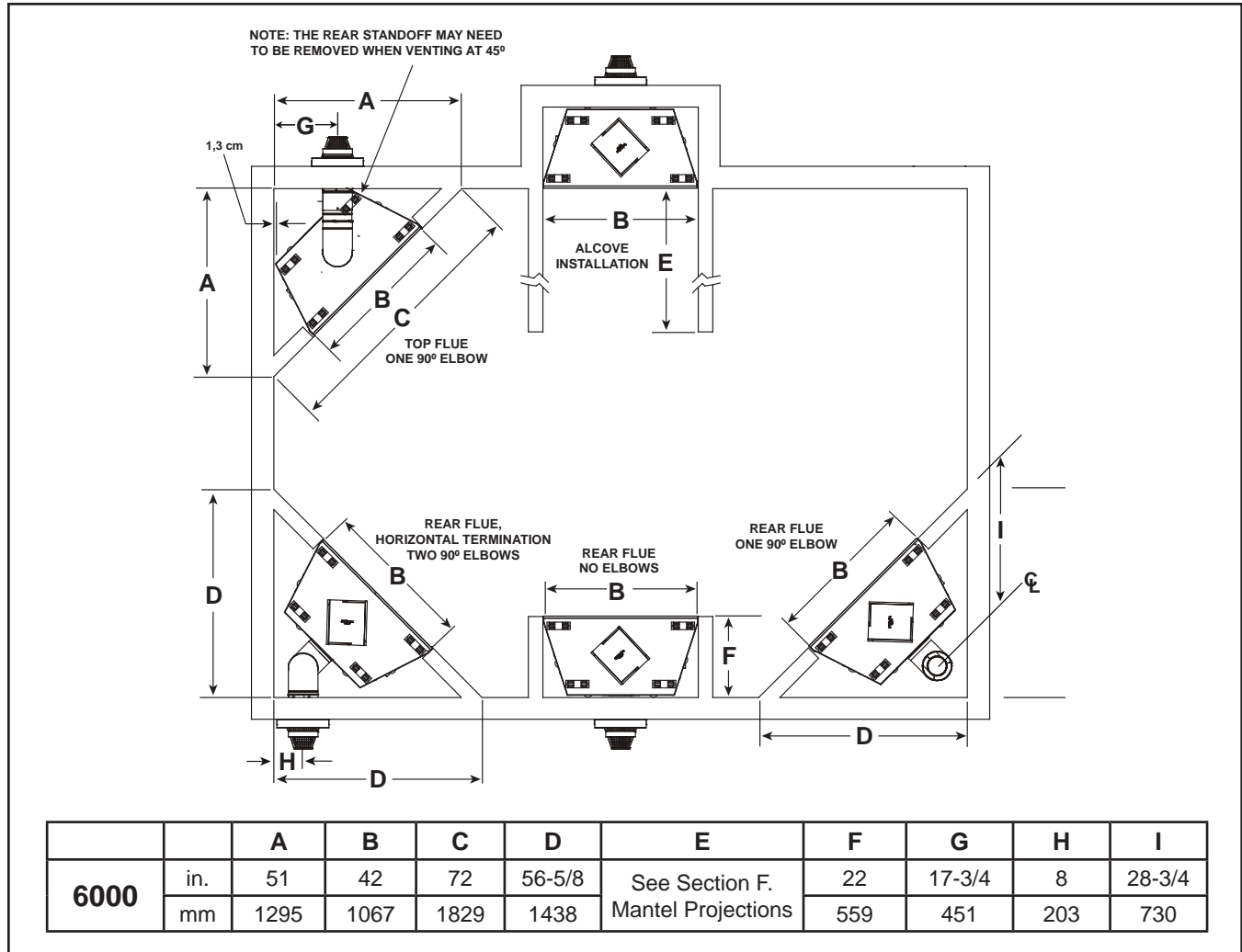


Figure 1.2

Minimum Clearances from the Heater to Combustible Materials					
Glass Front	Floor	Back of Heater	Sides of Heater	Top of Heater	Ceiling
36 inches 914 mm	0	1/2 inch 13 mm	1/2 inch 13 mm	3-1/2 inches 89 mm	31 inches 787 mm

### Clearance Requirements

The top, back, and sides of the heater are defined by standoffs.

The minimum clearance to a perpendicular wall extending past the face of the heater is one inch (25 mm).

For 6000 Series Models, the back of the heater may be recessed 21-1/2 inches (546 mm) into combustible construction.

Minimum Clearances from the Flue Pipe to Combustible Materials						
For Horizontal Sections			For Vertical Sections	At Wall Firestops		
Top	Bottom	Sides		Top	Bottom	Sides
3 inches 75 mm	1 inch 25 mm	1 inch 25 mm	1 inch 25 mm	2-1/2 inches 63.7 mm	1/2 inch 13 mm	1 inch 25 mm

For minimum clearances, see the direct flue termination clearance diagrams on page 7.

## B. Framing the Heater

Framing can be built before or after the heater is set in place. Framing should be positioned to accommodate wall coverings and heater facing material. The diagram below shows framing reference dimensions.

**CAUTION: MEASURE HEATER DIMENSIONS AND VERIFY FRAMING METHODS AND WALL COVERING DETAILS, BEFORE FRAMING CONSTRUCTION BEGINS.**

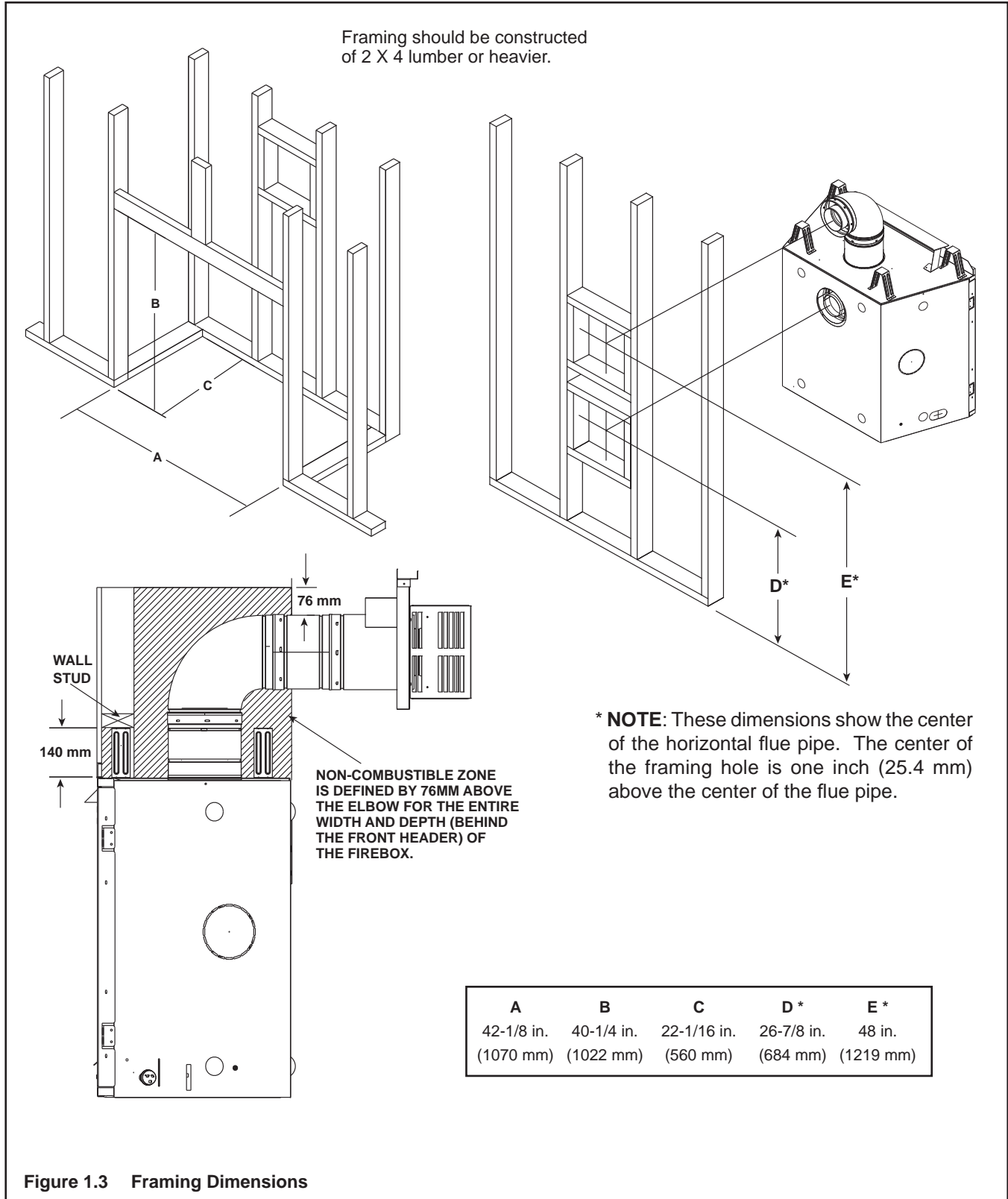
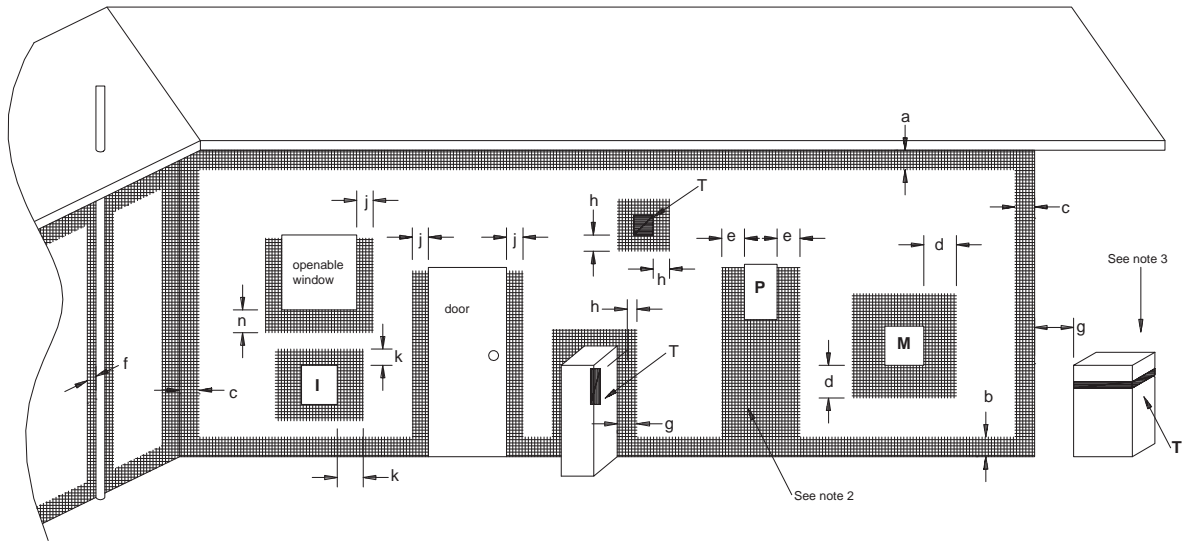


Figure 1.3 Framing Dimensions



T = Flue terminal  
I = Mechanical air inlet

M = Gas meter  
P = Electricity meter or fuse box

Shading indicates prohibited areas for flue terminals

- |   |  |                            |
|---|--|----------------------------|
| a | - Below eaves, balconies or other projections:   | <b>MIN. CLEARANCE (mm)</b> |
|   | Appliances up to 50 MJ/h input .....   | 300                        |
|   | Appliances over 50 MJ/h input .....  | 500                        |
| b | - From the ground or above a balcony .....   | 300                        |
| c | - From a return wall or external corner .....  | 500                        |
| d | - From a gas meter (M) .....   | 1000                       |
| e | - From an electricity meter or fuse box (P) .....  | 500                        |
| f | - From a drain or soil pipe .....  | 150                        |
| g | - Horizontally from any building structure (unless appliance approved for closer installation) or obstruction facing a terminal .....                      | 500                        |
| h | - From any other flue terminal, cowl, or combustion air intake .....   | 500                        |
| j | - Horizontally from an openable window, door, non-mechanical air inlet, or any other opening into a building, with the exception of sub-floor ventilation: |                            |
|   | Appliances up to 150 MJ/h input .....  | 500                        |
|   | Appliances over 150 MJ/h input .....   | 1500                       |
| k | - From a mechanical air inlet, including a spa blower .....  | 1500                       |
| n | - Vertically below an openable window, non-mechanical air inlet or any other opening into a building, with the exception of sub-floor ventilation .....    | See table below            |

CLEARANCE 'n' (mm)			
Space Heaters	All other appliances		
Up to 50 MJ/h input	Up to 50 MJ/h input	Over 50 MJ/h input and Up to 150 MJ/h input	Over 50 MJ/h input
150	500	1000	1500

- NOTES:**
- All distances are measured vertically or horizontally along the wall to a point in line with the nearest part of the terminal.
  - Prohibited area below electricity meter or fuse box extends to ground level.
  - See clause 5.13.6.6 for restrictions on a flue terminal under a roofed area.
  - See Appendix J, Figure J1(a) and J2(a) for clearances required from a flue terminal to a LP Gas cylinder. A flue terminal is considered to be a source of ignition.

**MINIMUM CLEARANCES REQUIRED FOR BALANCED FLUE TERMINALS OR THE FLUE TERMINALS OF OUTDOOR APPLIANCES**

**Figure 1.4**

**TABLE 1**

<b>MODEL</b> 6TRSI-AUE	<b>FLUE TERMINATION APPROVALS</b> DVP-TRAP2 HORIZONTAL TERMINATION CAP DVP-TVHW VERTICAL TERMINATION CAP
---------------------------	--

**C. Flue System Approvals And Installations**

These models have flue starting collars on both the top and the back of the unit. Depending upon the installation, decide which **ONE** set of starting collars will be used to attach the flue system. The starting collar sealing cap must remain on the starting collar NOT used.

These models use DVP series direct flue components when using the **TOP** flue collars and DVP-series direct flue components when using the **REAR** flue collars.

Approved flue system components are labeled for identification. **NO OTHER FLUEING SYSTEMS OR COMPONENTS MAY BE USED.** Detailed installation instructions are included with each flue termination kit and should be used in conjunction with this *manual*. Figure 5 below shows flue system components and terminations.

**Identifying Flue Components**

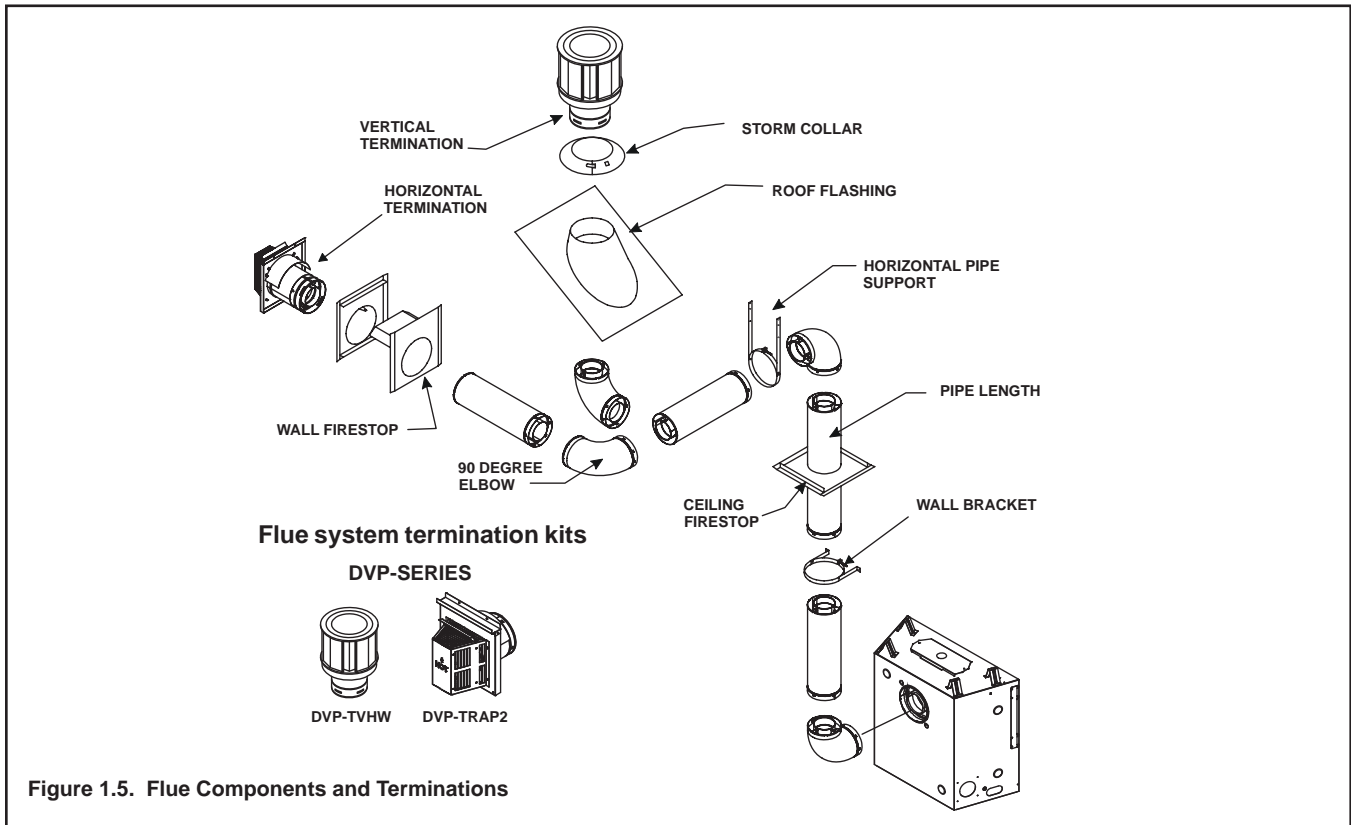
The flue systems installed on this gas heater may include one, two, or three 90° elbow assemblies. The relationships of vertical rise to horizontal run in flue configurations using 90° elbows **MUST BE** strictly adhered to. The rise to run relationships are shown in the flueing drawings and tables on the next few pages.

**WARNING: THIS GAS APPLIANCE AND FLUE ASSEMBLY MUST FLUE DIRECTLY TO THE OUTSIDE AND MUST NEVER BE ATTACHED TO A CHIMNEY SERVING A SEPARATE SOLID FUEL BURNING APPLIANCE. EACH GAS APPLIANCE MUST USE A SEPARATE FLUE SYSTEM-COMMON FLUE SYSTEMS ARE PROHIBITED.**

**CAUTION: UNDER NO CONDITION SHOULD COMBUSTIBLE MATERIAL BE CLOSER THAN 76 mm AT WALL FIRE-STOPS FROM THE TOP OF THE PIPE OR 25 mm TO THE SIDES AND THE BOTTOM FOR HORIZONTAL SECTIONS OF THIS FLUE SYSTEM. VERTICAL SECTIONS OF THIS SYSTEM REQUIRE A MINIMUM OF 25 mm CLEARANCE TO COMBUSTIBLE MATERIALS ALL AROUND THE PIPE.**

For alternative installations, other than depicted, contact your dealer for further information.

Refer to Figure 1.5 for required clearances to flue terminals.



**Figure 1.5. Flue Components and Terminations**



<b>MODEL FLUE TERMINATION APPROVALS</b> 6000TRSI-AUC    DVP-TRAP2, DVP-TVHW
--

TABLE 1

This model is approved to use DVP-Series flue pipe components. A **DVP-TRAP2** Termination Cap must be used to terminate flue systems in a horizontal position. A **DVP-TVHW** vertical Termination Cap must be used to terminate flue systems in a vertical position.

Figures 1.8 through 1.15 show the flue systems approved for these models. Approved flue system components are labeled for identification. **NO OTHER FLUE SYSTEMS OR COMPONENTS MAY BE USED.** Detailed installation instructions are included with each flue termination kit and should be used in conjunction with this manual.

**WARNING: THIS GAS APPLIANCE AND FLUE ASSEMBLY MUST BE FLUED DIRECTLY TO THE OUTSIDE AND MUST NEVER BE ATTACHED TO A CHIMNEY SERVING A SEPARATE SOLID FUEL BURNING APPLIANCE. EACH GAS APPLIANCE MUST USE A SEPARATE FLUE SYSTEM-COMMON FLUE SYSTEMS ARE PROHIBITED.**

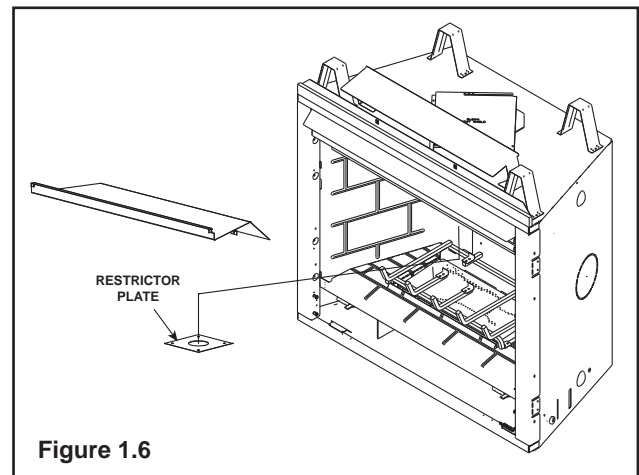
**CAUTION: UNDER NO CONDITION SHOULD COMBUSTIBLE MATERIAL BE CLOSER THAN 3 INCHES (2-1/2 INCHES AT WALL FIRESTOPS) FROM THE TOP OF THE 8 INCH PIPE OR 1 INCH TO THE SIDES AND THE BOTTOM FOR HORIZONTAL SECTIONS OF THIS FLUE SYSTEM. VERTICAL SECTIONS OF THIS SYSTEM REQUIRE A MINIMUM OF 1 INCH CLEARANCE TO COMBUSTIBLE MATERIALS ALL AROUND THE 8 INCH PIPE.**

For alternative installations, other than depicted, contact your dealer for further information.

Refer to Figure 1.5 for required clearances to flue terminals.

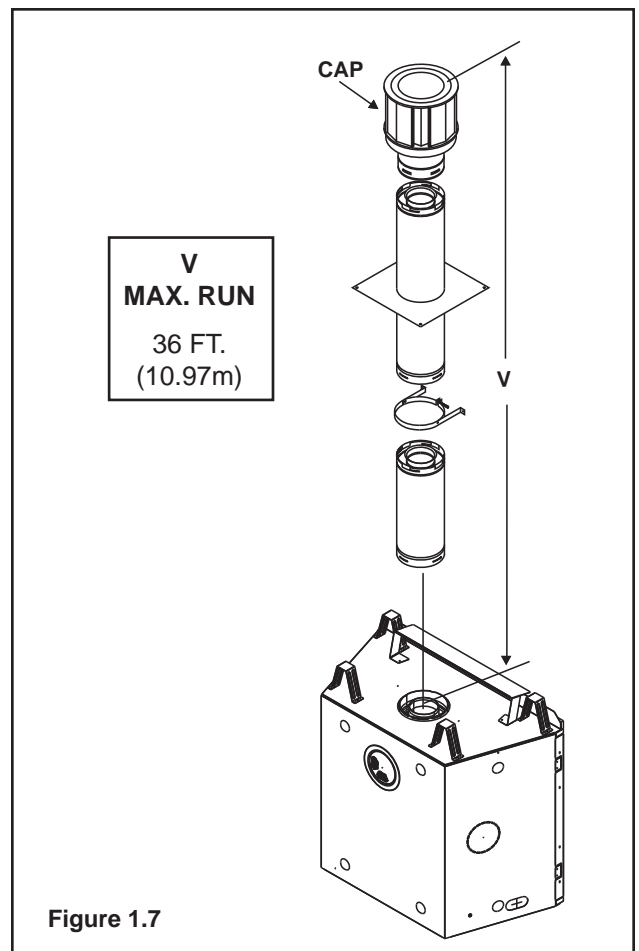
### VERTICAL FLUE RESTRICTOR

If the heater installation requires a vertical flue exceeding 4.5 m above the unit with no horizontal flue or elbows a vertical flue restrictor must be installed (see Figure 1.6).



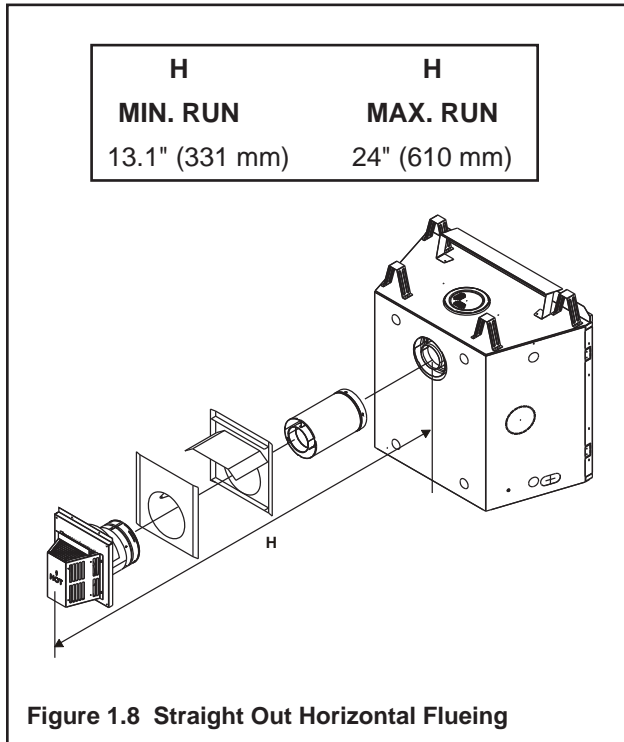
### STRAIGHT UP VERTICAL FLUE SYSTEM

Figure 1.6 shows straight up vertical flue system approved for use on this model.



## STRAIGHT OUT HORIZONTAL FLUE SYSTEM

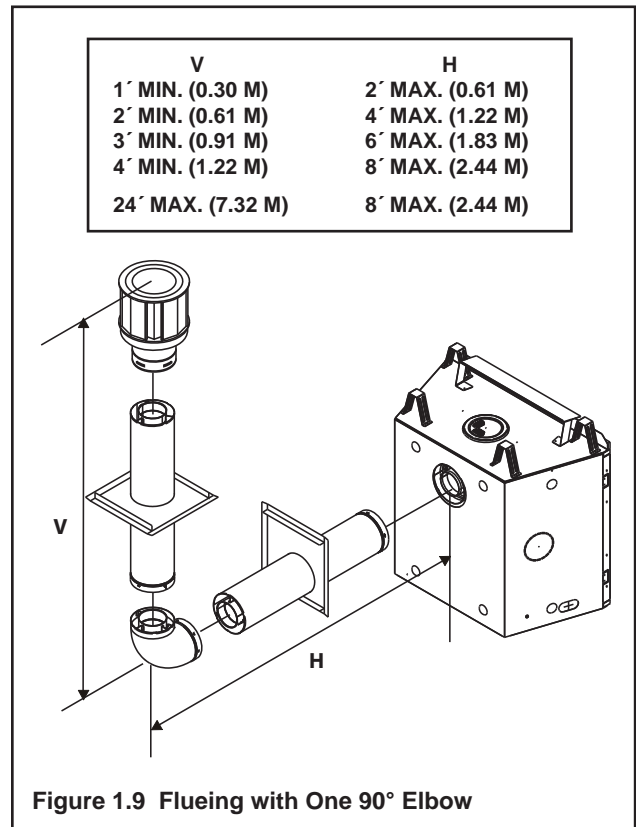
Figure 1.8 shows straight out horizontal flue systems approved for use on this model.



## ELBOWS

The flue systems installed on this gas heater may also include one (1), two (2), or three (3) 90 - degree elbow assemblies.

Figures 1.9 through 1.15 and their corresponding tables show examples of flue configurations using elbows. The relationships of vertical rise to horizontal run in flue configurations using elbows **MUST** be strictly adhered to.



## ONE (1) 90-DEGREE ELBOW

Figures 1.9 and 1.10 show an installation using one (1) 90-degree elbow. Dimension V is listed as **MINIMUM** vertical dimensions and dimension H is listed as corresponding **MAXIMUM** horizontal dimensions.

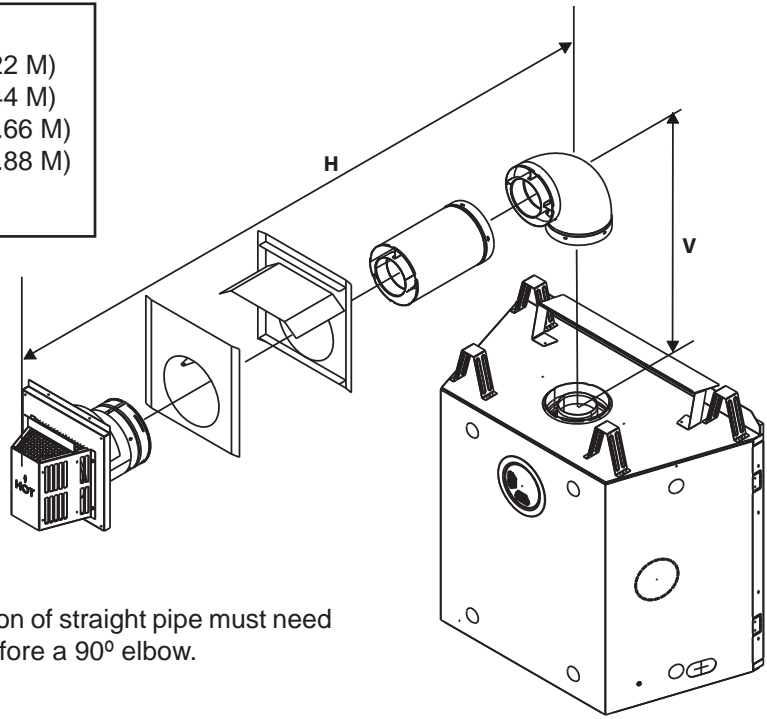
## TWO (2) 90-DEGREE ELBOWS

Figures 1.11 and 1.12 show examples of possible installations using two (2) 90-degree elbows. Dimension V is listed as **MINIMUM** vertical dimensions, dimension H is listed as **MAXIMUM** beginning horizontal dimensions, and dimension  $H + H_1$  is listed as corresponding **TOTAL MAXIMUM** horizontal dimensions.

## THREE (3) 90-DEGREE ELBOWS

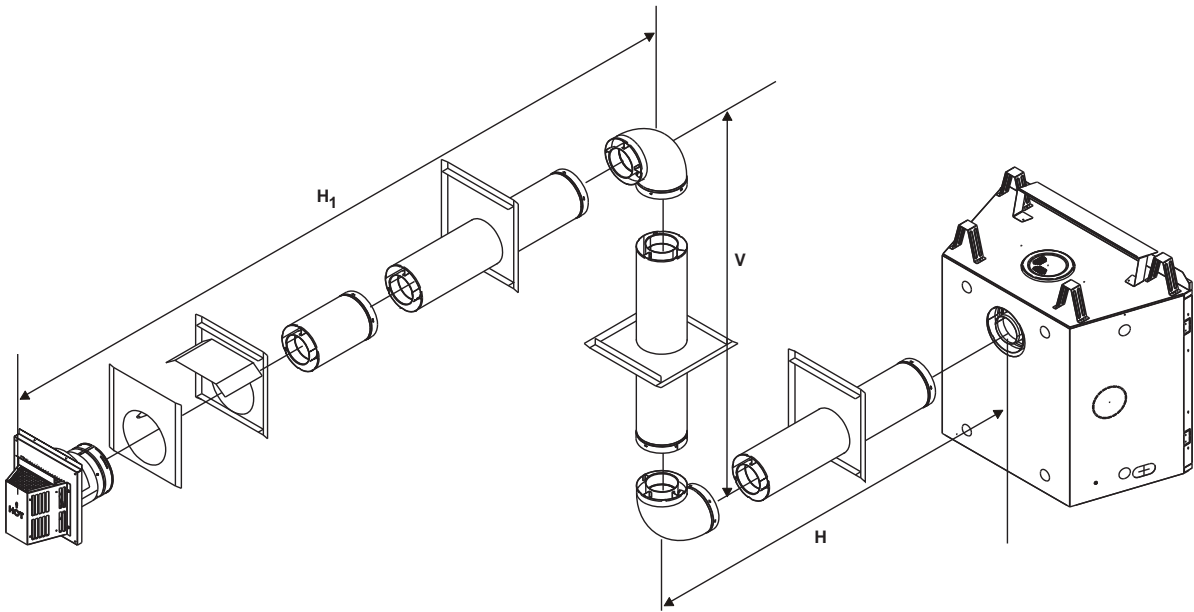
Figures 1.13 through 1.15 show examples of possible installations using three (3) 90-degree elbows. Dimensions V are listed **MINIMUM** first vertical dimensions and dimensions H are listed as beginning **MAXIMUM** horizontal dimensions. Dimensions  $H + H_1$  and  $H + H_1 + H_2$  are listed as **TOTAL MAXIMUM** horizontal dimensions. Dimensions  $V + V_1$  are listed as **TOTAL MAXIMUM** vertical dimensions.

V (FT.)	H (FT.)
1' MIN. (0.30 M)	4' MAX. (1.22 M)
2' MIN. (0.61 M)	8' MAX. (2.44 M)
3' MIN. (0.91 M)	12' MAX. (3.66 M)
4' MIN. (1.22 M)	16' MAX. (4.88 M)
V+H= 24' MAX. (7.32 M)	



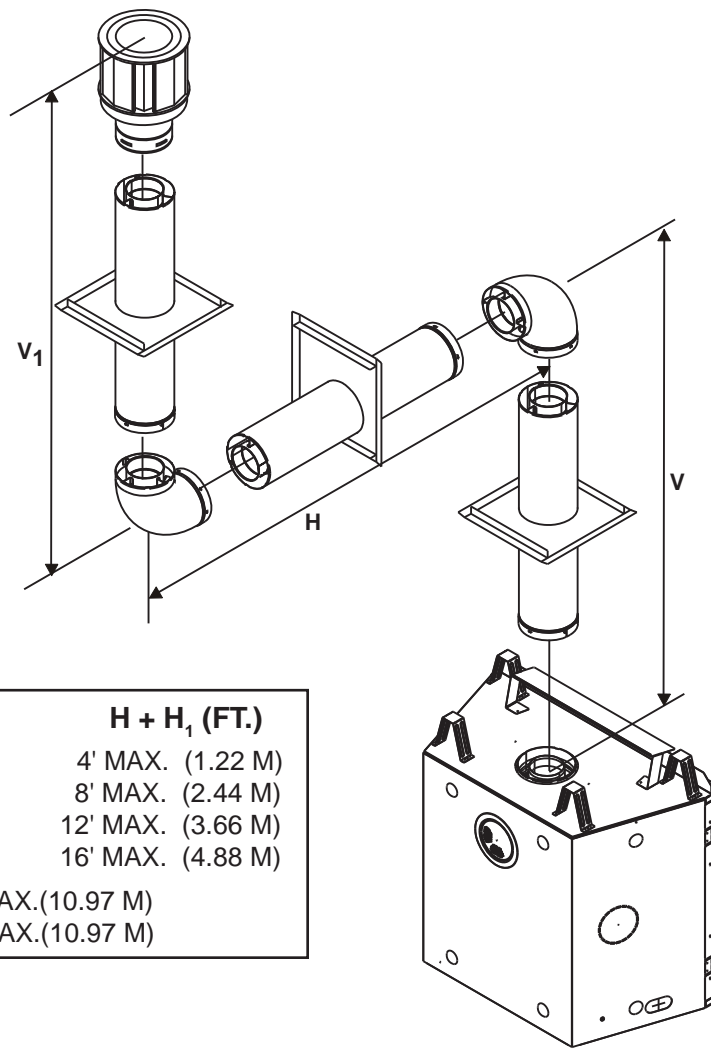
**NOTE:** A 6 inch (152 mm) section of straight pipe must need to be attached to the heater before a 90° elbow.

Figure 1.10 Flueing with One 90° Elbow



V FT.)	H (FT.)	H+H <sub>1</sub> (FT.)
1' MIN. (0.30 M)	2' MAX. (0.61 M)	4' MAX. (1.22 M)
2' MIN. (0.61 M)	2' MAX. (0.61 M)	8' MAX. (2.44 M)
3' MIN. (0.91 M)	4' MAX. (1.22 M)	12' MAX. (3.66 M)
4' MIN. (1.22 M)	6' MAX. (1.83 M)	16' MAX. (4.88 M)
20' MAX. (6.10 M)	6' MAX. (1.83 M)	16' MAX. (4.88 M)

Figure 1.11 Flueing with Two 90° Elbows



V FT.	H + H <sub>1</sub> (FT.)
1' MIN. (0.30 M)	4' MAX. (1.22 M)
2' MIN. (0.61 M)	8' MAX. (2.44 M)
3' MIN. (0.91 M)	12' MAX. (3.66 M)
4' MIN. (1.22 M)	16' MAX. (4.88 M)
V+H+H <sub>1</sub> = 36' MAX.(10.97 M)	
V+V <sub>1</sub> +H = 36' MAX.(10.97 M)	

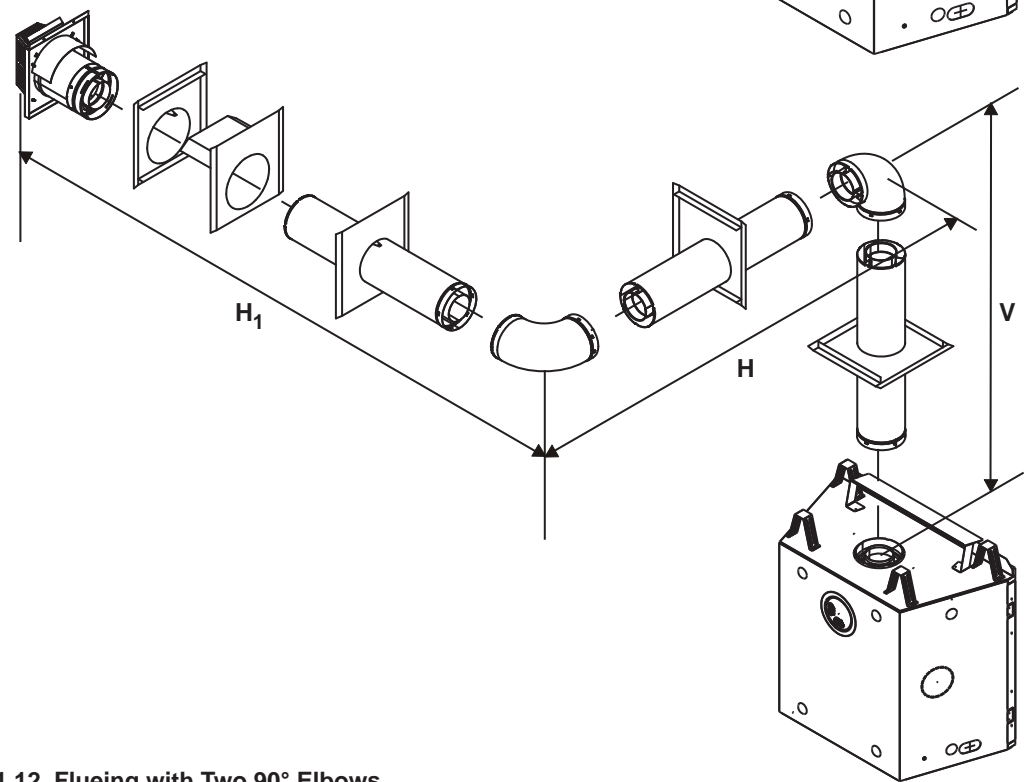


Figure 1.12 Flueing with Two 90° Elbows

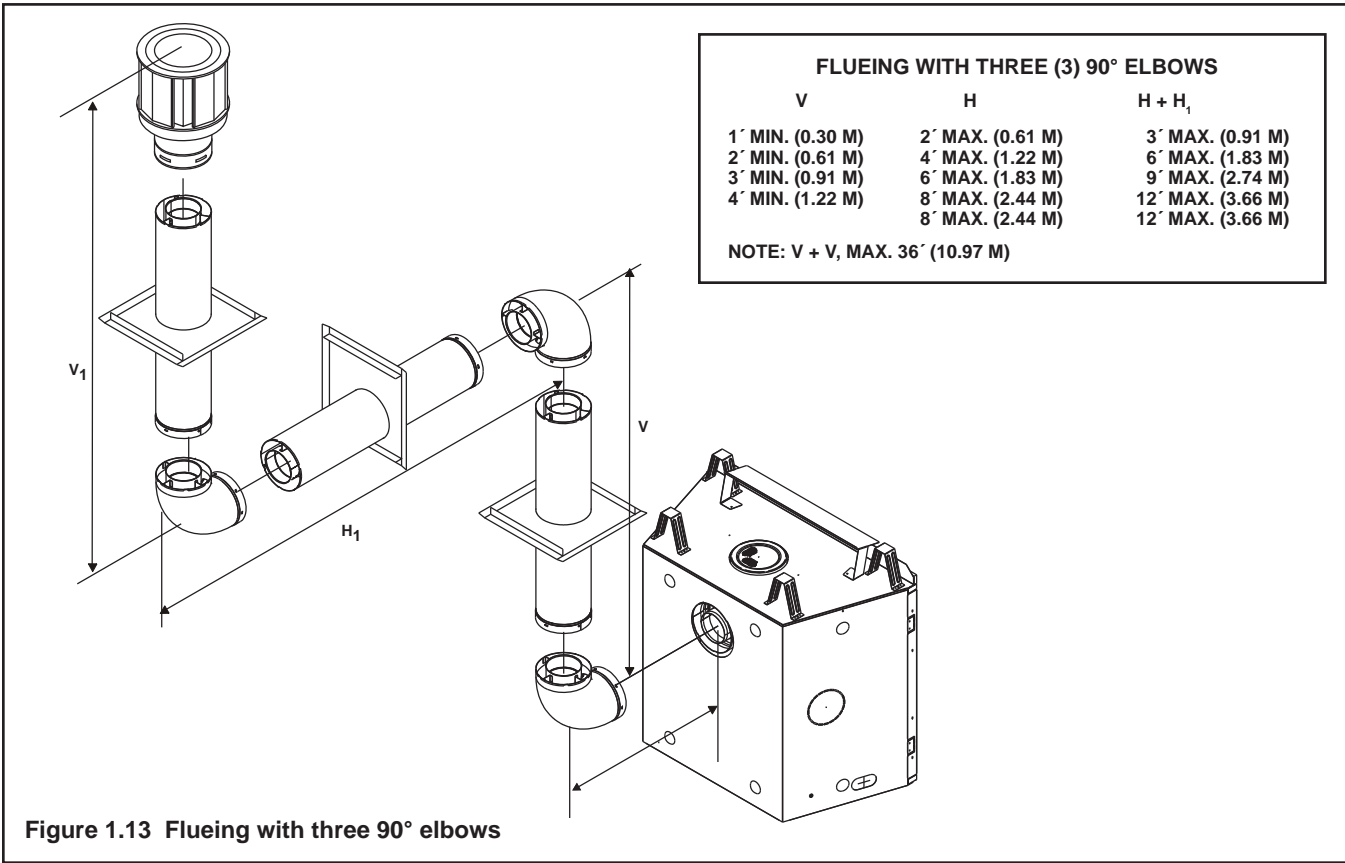


Figure 1.13 Flueing with three 90° elbows

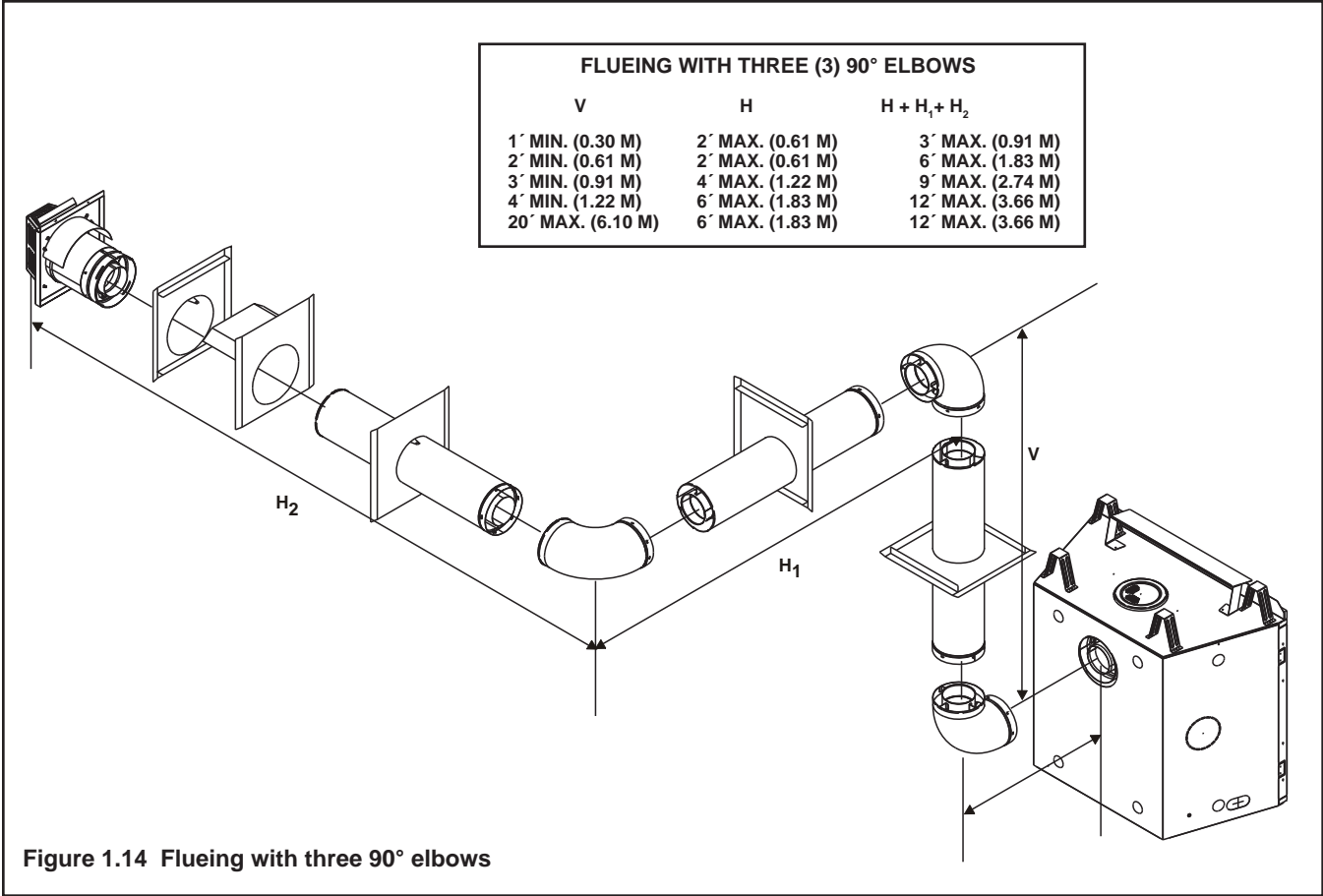
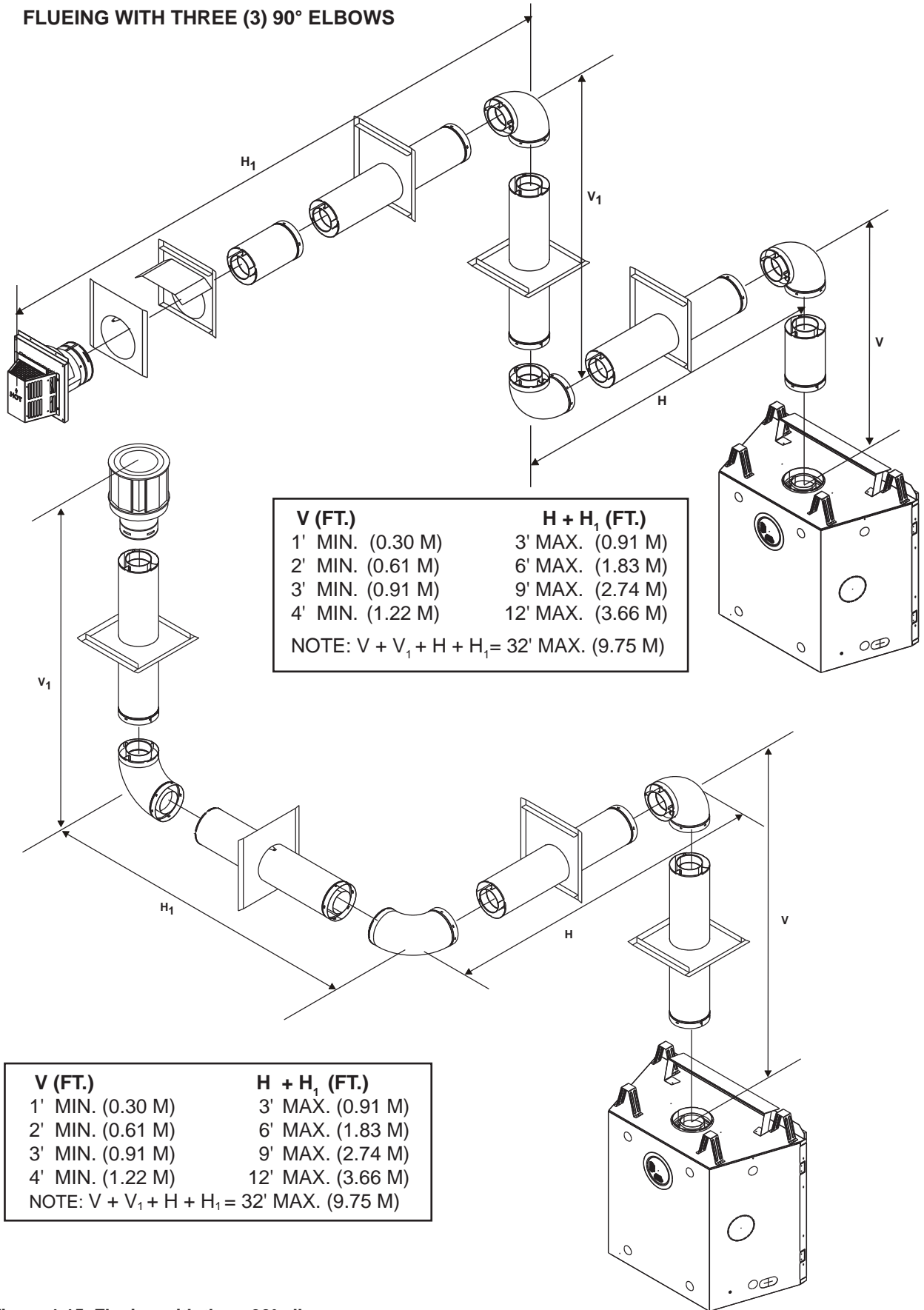


Figure 1.14 Flueing with three 90° elbows

**FLUEING WITH THREE (3) 90° ELBOWS**



**Figure 1.15 Flueing with three 90° elbows**

# 1. Installing Flue Components

After determining which set of starting collars will be used (top or rear), follow flueing instructions accordingly.

## Flueing Out the Rear Flue

Remove the installed rear seal cap from the rear starting collars by cutting the strap at each end. (See Figure 1.16). Follow the flue configuration tables accordingly.

Remove the insulation from the **REAR** five inch flue, pull the heat shield out from outside of the firebox.

**WARNING: THE TOP HEAT SHIELD (INSIDE THE FIREBOX) MUST REMAIN ATTACHED IF THE FLUE SYSTEM IS ATTACHED TO THE REAR STARTING COLLARS. SEE Figure 14.**

## Flueing Out the Top Flue

Remove the two screws in the top flue collar seal cap and remove the top flue collar seal cap and two pieces of insulation inside the top two starting collars (See Figure 1.16).

Remove the heat shield from inside the **TOP** five inch flue from outside of the firebox.

**WARNING: THE REAR FLUE COLLAR SEAL CAP MUST REMAIN ATTACHED TO THE REAR FLUE COLLARS IF THE FLUE SYSTEM IS ATTACHED TO THE TOP STARTING COLLARS.**

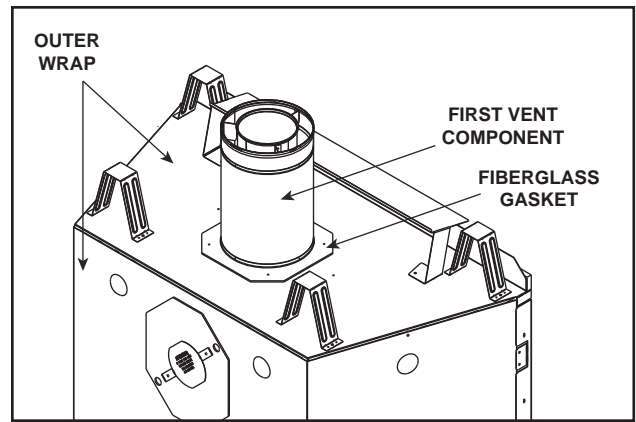


Figure 1.17 Fiberglass Gasket

## Attach the Flue Component to the Starting Collars

To attach the first flue component to the starting collars of the heater:

- Make sure that the heater gasket supplied with the heater seals between the first flue component and the outer heater wrap (see Figure 1.17).
- Slide the male end of the inner flue of the pipe section over the inner collar on the heater. At the same time, slide the outer flue over the outer collar on the heater. Push the flue section into the appliance collar until all the lances (see Figure 1.18) have snapped in place. Tug slightly on the flue to confirm that it has completely locked into place.
- The first 90° elbow installed in the flue system of a rear flueing heater **MUST BE** in a vertical position.

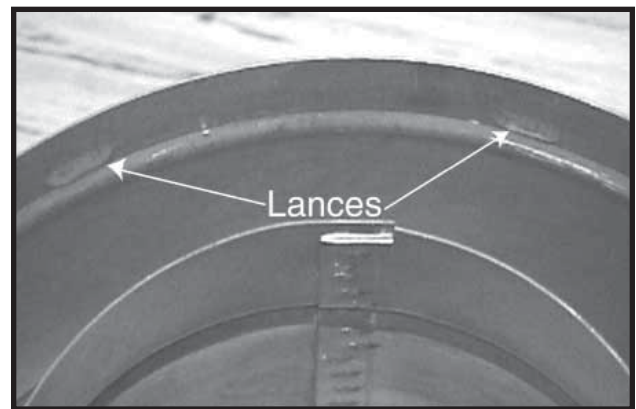
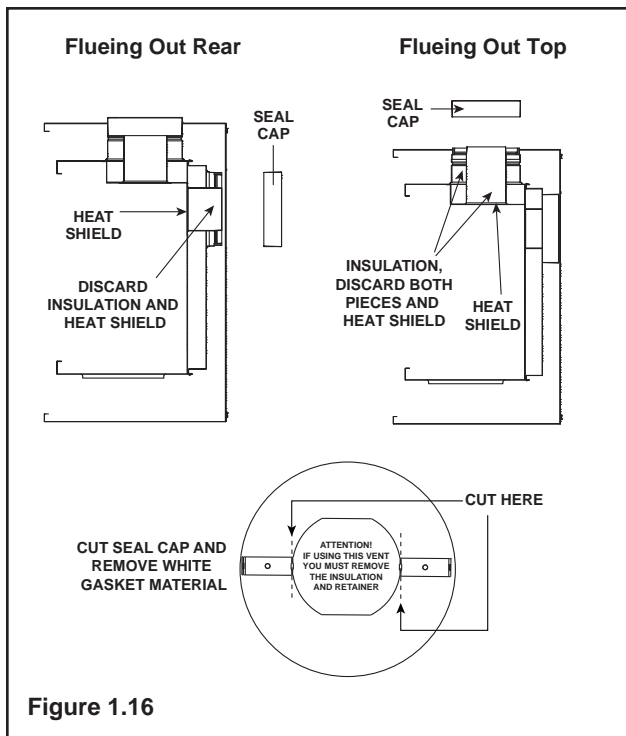





Figure 1.18

**WARNING: ENSURE THAT THE HEATER GASKET SUPPLIED WITH THE HEATER SEALS BETWEEN THE FIRST FLUE COMPONENT AND THE OUTER HEATER WRAP.**

	<b>WARNING</b>
	<p>Fire Risk Exhaust Fumes Risk Impaired Performance of Appliance</p> <ul style="list-style-type: none"> <li>• Overlap pipe slip sections at least 1-1/2 inches (38 mm).</li> <li>• Use pilot holes for screws.</li> <li>• Screws must not exceed one inch long.</li> <li>• Pipe may separate if not properly joined.</li> </ul>
	

## 2. Assembling Flue Components

Insert the inner flue of section A into the flared inner flue of section B.

Start the outer flue of section A over the outer flue of section B (see Figure 1.19). **Note:** The end of the pipe sections with the lances/tabs on it will face towards the appliance.

Once both inner and outer flues are started, press section A onto section B firmly until all lances have snapped into place. Check to make sure they have snapped together (see Figure 1.20) and the seams are not aligned (see Figure 1.21). Tug slightly on section A to confirm it has completely locked into place.



Figure 1.19



Figure 1.20

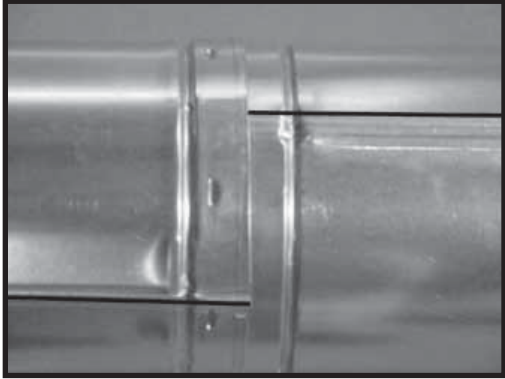
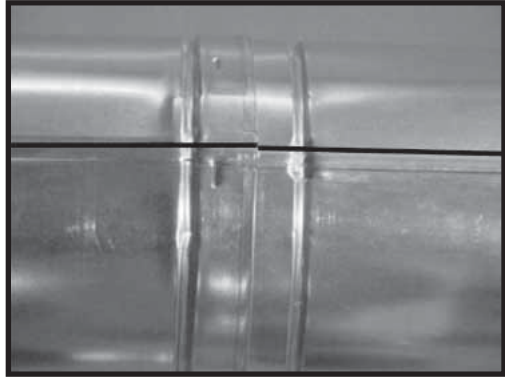

<b>CORRECT</b>

<b>INCORRECT</b>
<b>Note:</b> Make sure that the seams are not aligned to prevent unintentional disconnection.

Figure 1.21 Seams

**NOTE:** Make sure that seams are **NOT** aligned to prevent unintentional disconnection.

For elbows that are changing the flue direction, two screws minimum should be put in the outer flue at the joint to prevent the elbow from rotating.



### 3. Install Support Brackets

**For Horizontal Runs** - The flue system must be supported every five (5) feet (1.5 m) of horizontal run by a horizontal pipe support. To install support brackets for horizontal runs:

- Place the pipe supports around the flue pipe.
- Nail the pipe supports to the framing members.

**For Vertical Runs** - The flue system must be supported every eight feet (2.4 M) above the heater flue outlet by wall brackets. To install support brackets for vertical runs:

- Attach wall brackets to the flue pipe and secure the wall bracket to the framing members with nails or screws.

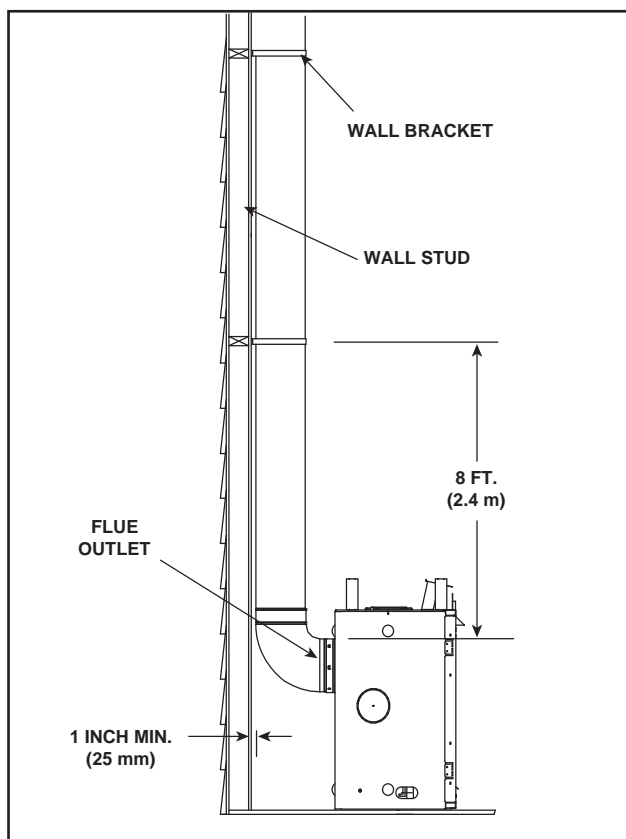


Figure 1.22 Installing Support Brackets

### 4. Install Firestops

**For Horizontal Runs** - Firestops are **REQUIRED** on both sides of a combustible wall through which the flue passes.

To install firestops (heat shield) for horizontal runs that pass through either interior or exterior walls:

- Cut a 10-inch by 12-inch (254 mm X 305 mm) hole through the wall.
- Position the firestops on both sides of the hole previously cut and secure the firestops with nails or screws.
- The pipe opening of the firestops **MUST BE** placed towards the bottom of the firestop.
- Continue the flue run through the firestop.

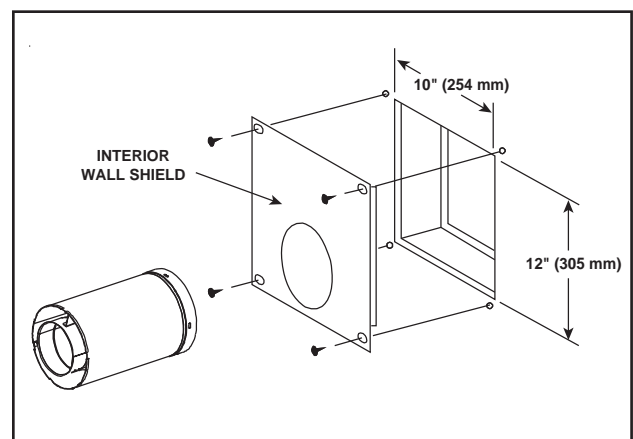
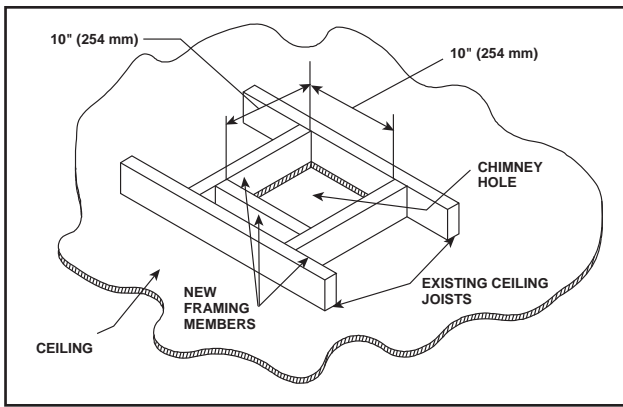


Figure 1.23 Flue Pipe & Firestop

**For Vertical Runs** - One firestop is **REQUIRED** at the hole in each ceiling through which the flue passes.

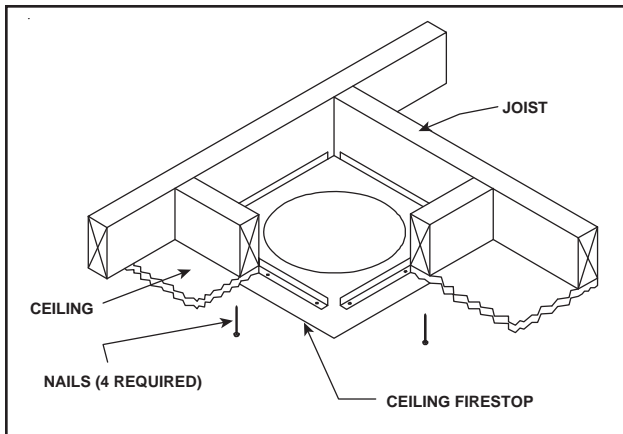
To install firestops for vertical runs that pass through ceilings:

- Position a plumb bob directly over the center of the vertical flue component.
- Mark the ceiling to establish the centerpoint of the flue.
- Drill a hole or drive a nail through this center point.
- Check the floor above for any obstructions, such as wiring or plumbing runs.
- Reposition the heater and flue system, if necessary, to accommodate the ceiling joists and/or obstructions.
- Cut a 254 mm X 254 mm hole through the ceiling, using the firestop pipe opening as a guide.
- Frame the hole with framing lumber the same size as the ceiling joists.



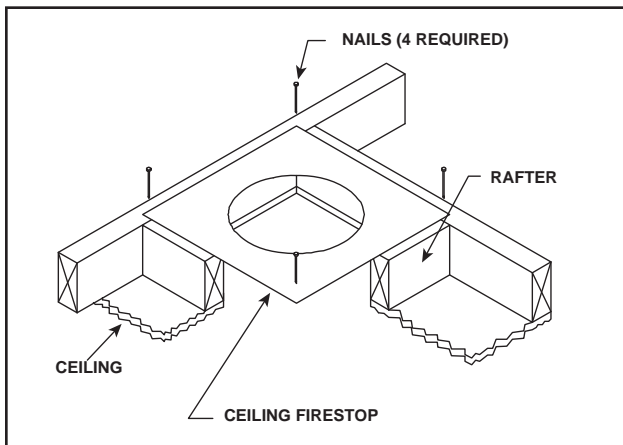
**Figure 1.24 Hole and New Framing Members**

If the area above the ceiling is **NOT** an attic, position and secure the ceiling firestop on the ceiling side of the previously cut and framed hole.



**Figure 1.25 Ceiling Firestop (Ceiling Side)**

If the area above the ceiling **IS** an attic, position and secure the firestop on top of the previously framed hole.

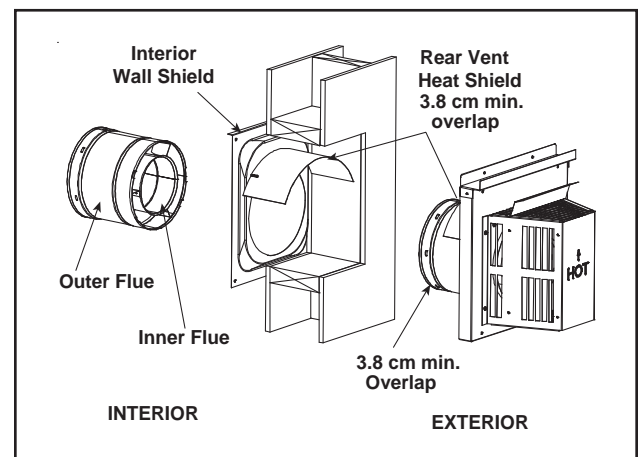


**Figure 1.26 Attic Firestop**

## 5. Flue Termination

**For Horizontal Terminations** - To attach and secure the termination to the last section of horizontal flue:

- The rear flue heat shield **MUST** be placed one inch above the top of the flue between the wall shield and the base of the termination cap.
- One section of the heat shield is attached to the wall shield. The other is attached to the termination cap in the same manner.
- The heat shield sections will overlap to match the wall thickness (depth).
- If the wall thickness does not allow the required 1-1/2 inch heat shield overlap, an extended heat shield must be used. The extended heat shield will need to be cut to the thickness of the wall and be attached to the wall shield.
- The small leg in the shield rests on top of the flue to properly space it from the pipe section (see Figure 1.27).



**Figure 1.27 Flueing through the Wall**

- The termination kit should pass through the wall firestops from the exterior of the building.

- Adjust the termination cap to its final exterior position on the building and interlock the flue sections.



**WARNING: THE TERMINATION CAP MUST BE POSITIONED SO THAT THE ARROW IS POINTING UP.**

- Use a high-temperature sealant gasket to seal between the pipe and exterior firestop.

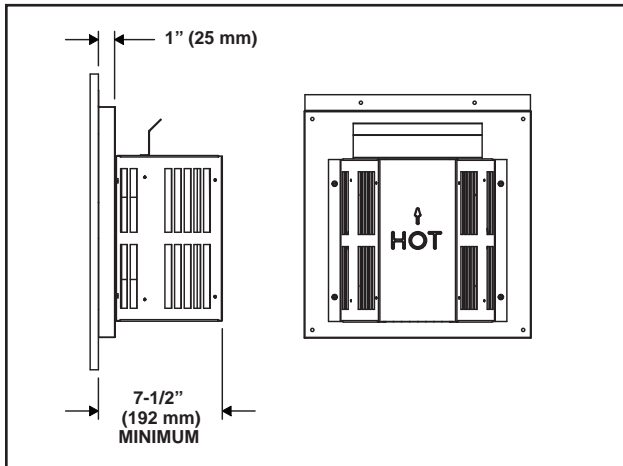


Figure 1.28 Termination Cap

**For Vertical Terminations** - To locate the flue and install the flue sections:

- Locate and mark the flue center point on the underside of the roof, and drive a nail through the center point.
- Make the outline of the roof hole around the center point nail.
- The size of the roof hole framing dimensions depend on the pitch of the roof. There **MUST BE** a 1-inch (25 mm) clearance from the vertical flue pipe to combustible materials.
- Mark the roof hole accordingly.
- Cover the opening of the installed flue pipes.
- Cut and frame the roof hole.
- Use framing lumber the same size as the roof rafters and install the frame securely. Flashing anchored to the frame must withstand heavy winds.
- Continue to install concentric flue sections up through the roof hole and up past the roof line until you reach the appropriate distance above the roof.

**CAUTION: FOLLOW THE REQUIREMENTS OF THE AGA GAS INSTALLATION CODE FOR MINIMUM HEIGHT REQUIREMENTS ABOVE THE ROOF.**

To seal the roof hole, and to divert rain and snow from the flue system:

- Attach a flashing to the roof using nails, and use a non-hardening mastic around the edges of the flashing base where it meets the roof.
- Attach a storm collar over the flashing joint to form a water-tight seal. Place non-hardening mastic around the joint, between the storm collar and the vertical pipe.
- Slide the termination cap over the end of the flue pipe and rotate the pipe clockwise 1/4 turn.

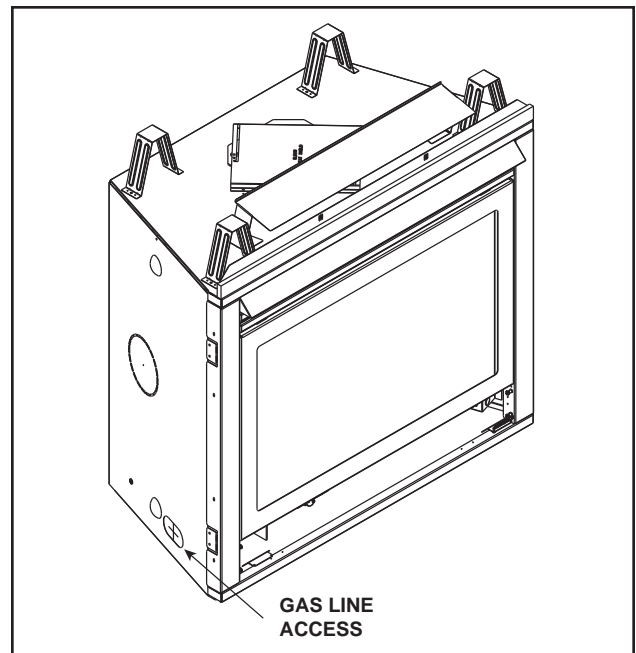


Figure 1.29

## D. Connecting The Gas Supply

The gas is introduced to the appliance on the left hand side. See Figure 1.29.

After the gas pipe installation is complete, check carefully all gas connections for leaks with a commercially-available, noncorrosive leak check solution. Be sure to rinse off all leak check solution following testing. **DO NOT USE AN OPEN FLAME.**

**NOTE: THE GAS SUPPLY LINE SHOULD BE PURGED OF ANY TRAPPED AIR PRIOR TO THE FIRST FIRING OF THE UNIT.**

## E. Ignition System Wiring

- This gas heater is equipped with an electronic ignition system which operates on a 6 volt system.
- This appliance requires 240 VAC to be wired to the factory installed junction box. Check factory installed power cord for damage before using.

### CAUTION

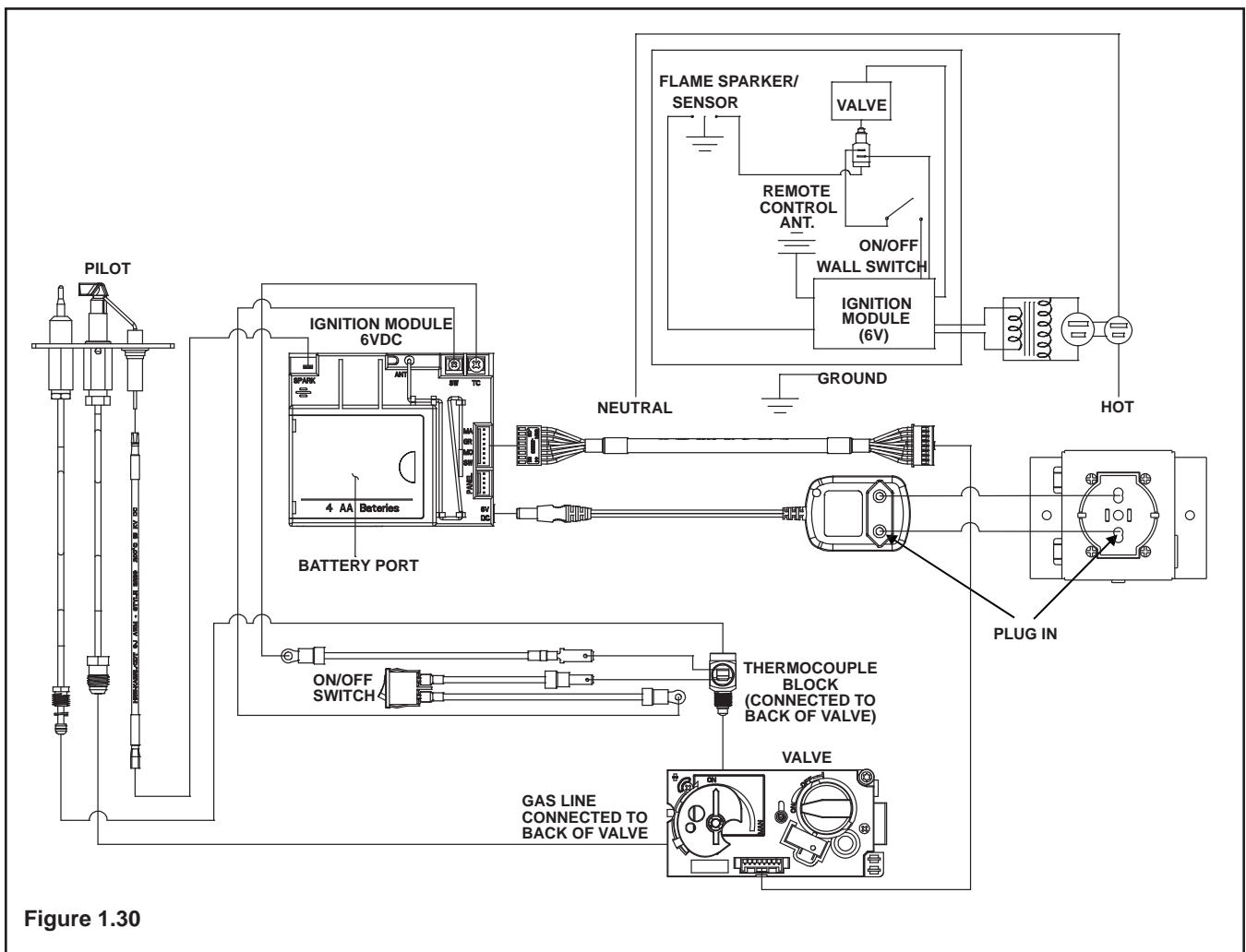
Label all wires prior to disconnection when servicing controls. Wiring errors can cause improper and dangerous operation. Verify proper operation after servicing.



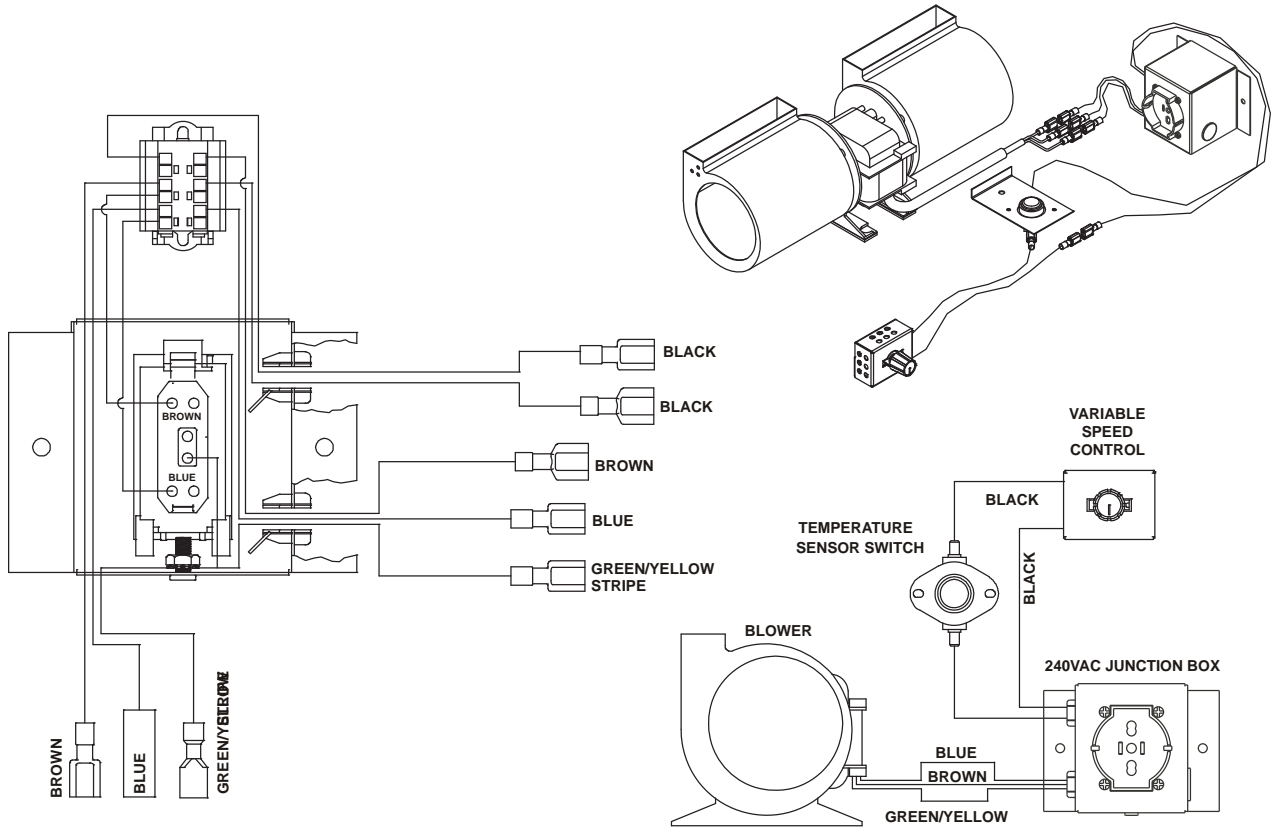
### WARNING

Shock hazard.

- Replace damaged wire with type 105° C rated wire.
- Wire must have high temperature insulation.



**NOTE: IF ANY OF THE ORIGINAL WIRE AS SUPPLIED WITH THE APPLIANCE MUST BE REPLACED, IT MUST BE REPLACED WITH TYPE 105° C RATED WIRE.**

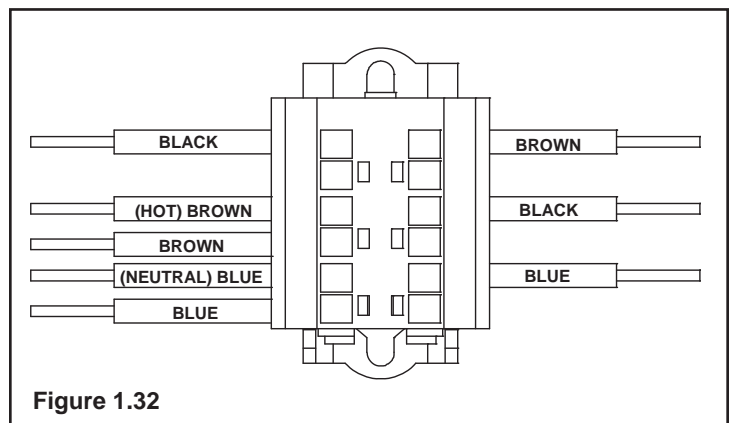


**Figure 1.31**

### Blower Fan

This heater has a factory installed blower fan, electrical junction boxes, variable speed rheostat control switch and temperature sensor switch for the blower fan. These components are located behind the lower door.

The factory installed power cord is attached on the lower front right exterior side of the heater. Figure 1.31 shows the blower fan, switches, and blower fan wiring diagram. See Figure 1.32 for wire connection detail.



**Figure 1.32**

## F. Mantel Clearances

Clearance to a mantelpiece is 12 inches (305 mm). See Figure 1.33.

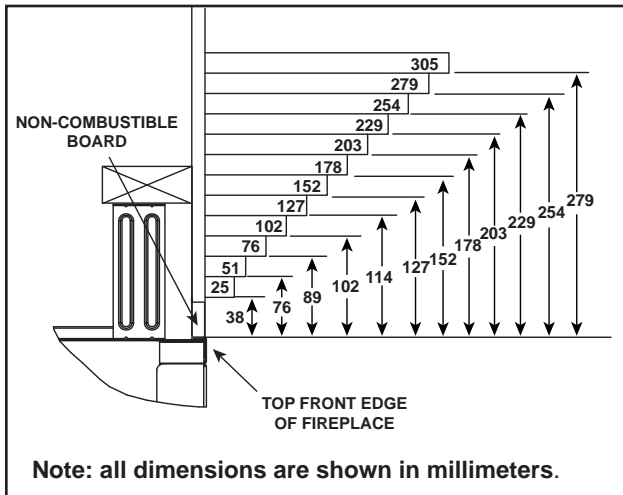


Figure 1.33

**IF JOINTS BETWEEN THE FINISHED WALLS AND THE HEATER SURROUND (TOP AND SIDES) ARE SEALED, A 150° C. MINIMUM SEALANT MATERIAL MUST BE USED. THESE JOINTS ARE NOT REQUIRED TO BE SEALED. ONLY NON-COMBUSTIBLE MATERIAL (USING 150° C. MINIMUM ADHESIVE, IF NEEDED) CAN BE APPLIED AS FACING TO THE HEATER SURROUND. SEE Figure 1.34.**

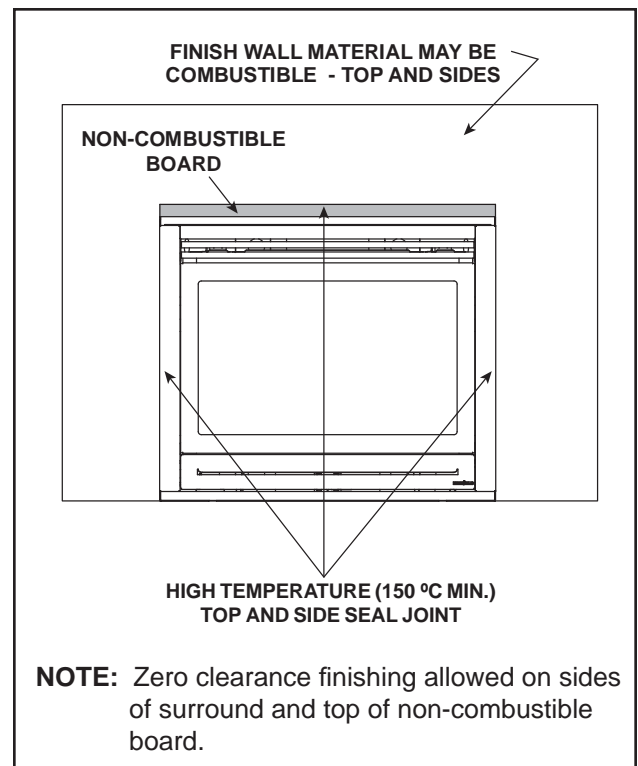
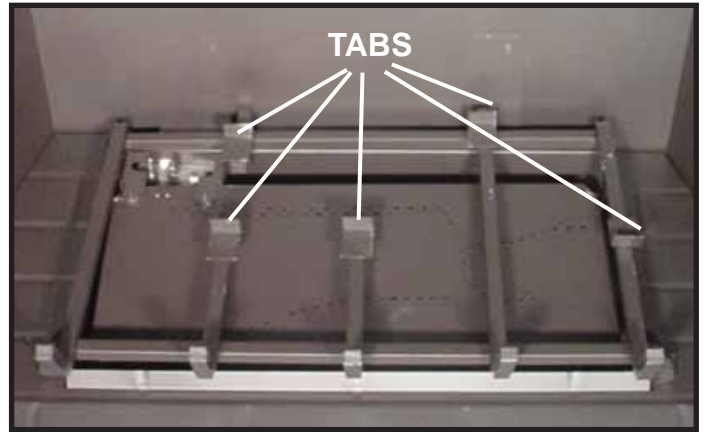


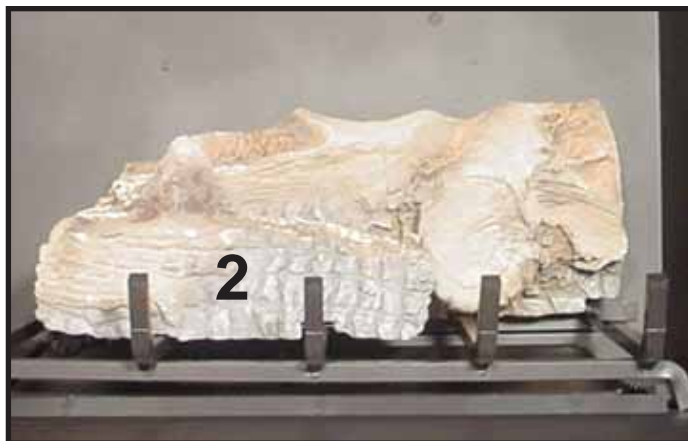
Figure 1.34



**CAUTION:** Logs are fragile! Carefully remove the logs from the packaging.



**LOG #1 (SRV2049-700):** Locate log #1 by placing log notches on the second and fifth grate bars and push log against rear log locators.



**LOG #2 (SRV2049-701):** Locate log #2 on grate with notches. Slide back against tabs.



**LOG #3 (SRV385-721):** Rest log #3 in the groove on log #1 with its lower portion resting against the left side wall.



**LOG #4 (SRV385-722):** Place log #4 on 5th grate bar and rest its top into the groove on log #1.



**LOG #5 (SRV385-723):** Position log #5 between the 3rd and 4th grate bar resting on the grooves in log #1 and log #2.



## H. Installer Testing

The space heater must be tested and be operating according to manufacturers specifications prior to the installer leaving the site. Note: the tips of the flames should never hit the top of the firebox after the unit has warmed up. Please contact your dealer or a qualified service person to replace injector or adjust valve.

Upon completing the gas line connection, a small amount of air will be in the lines. When first lighting the pilot light, it will take a few minutes for the lines to purge themselves of this air. Once the purging is complete, the pilot and burner will light and operate as indicated in the Lighting Instructions.

Subsequent lightings of the appliance will not require such purging.

Follow the Safety Information and Lighting Instructions pages of this manual to light the appliance.

To obtain proper operation, it is imperative that the pilot and main burner flame characteristics are steady, not lifting or floating. Typically, the top 3/8 inch (9.5 mm) of the thermocouple should be engulfed in the pilot flame. (See Figure 1.35). See Table 1 for pressure requirements.

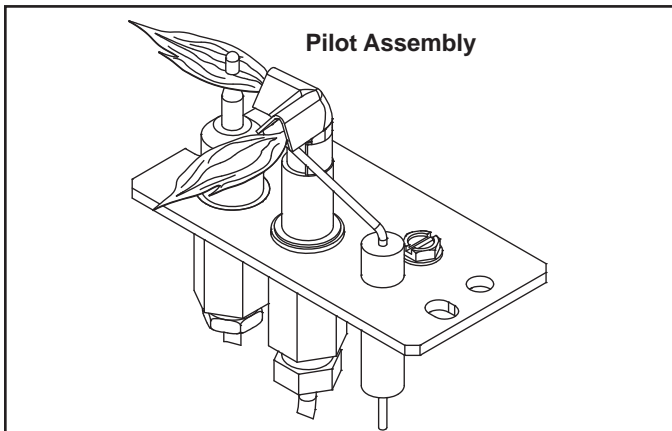


Figure 1.35

Follow TROUBLESHOOTING section for adjusting the appliance to operate properly.

Table 1.

	Natural Gas	Propane Gas
Inlet Pressure	1.13 kPa	2.75 kPa
Outlet Pressure	.80 kPa	2.36 kPa
Max. Gas Consumption	36.0 mJ/h	34.0 mJ/h
Burner Injector	2.87 mm	1.70 mm

## 2.0 OPERATING INSTRUCTIONS

### ⚠ WARNING



#### HOT SURFACES!

Glass and other surfaces are hot during operation AND cool down.

#### Hot glass will cause burns.

- **DO NOT** touch glass until it is cooled
- NEVER allow children to touch glass
- Keep children away
- CAREFULLY SUPERVISE children in same room as fireplace.
- Alert children and adults to hazards of high temperatures.

#### High temperatures may ignite clothing or other flammable materials.

- Keep clothing, furniture, draperies and other flammable materials away.

***This appliance has been supplied with an integral barrier to prevent direct contact with the fixed glass panel. DO NOT operate the appliance with the barrier removed.***

This appliance is a balanced flue heater and is designed to operate with all combustion air being siphoned from the outside of the building and all exhaust gases expelled to the outside of the building.

### WARNING: THIS UNIT IS NOT FOR USE WITH SOLID FUEL.

The control system for this model employs an electronic pilot ignition. It consists of a 6V gas control valve/variable regulator, an electronic module, a thermocouple and a remote control. The controls are located in the lower compartment behind the lower door, and access is gained by lifting the door up. See Figure 1.

### WARNING: DO NOT CONNECT 220-240 VAC TO THE GAS CONTROL VALVE OR CONTROL WIRING SYSTEM OF THIS UNIT.

When lit for the first time, the appliance will emit a slight odor for an hour or two. This is due to paint and lubricants used in the manufacturing process. Additionally, for the first few minutes after each lighting, vapor may condense and fog the glass and the flames may be blue. After a few minutes this moisture will disappear and within 15-30 minutes the flames should become yellow.

The heater may produce a noise, caused from metal expansion and contraction as it heats up and cools down. This noise is similar to one that a furnace or heat duct may produce and does not affect the operation or longevity of the heater.

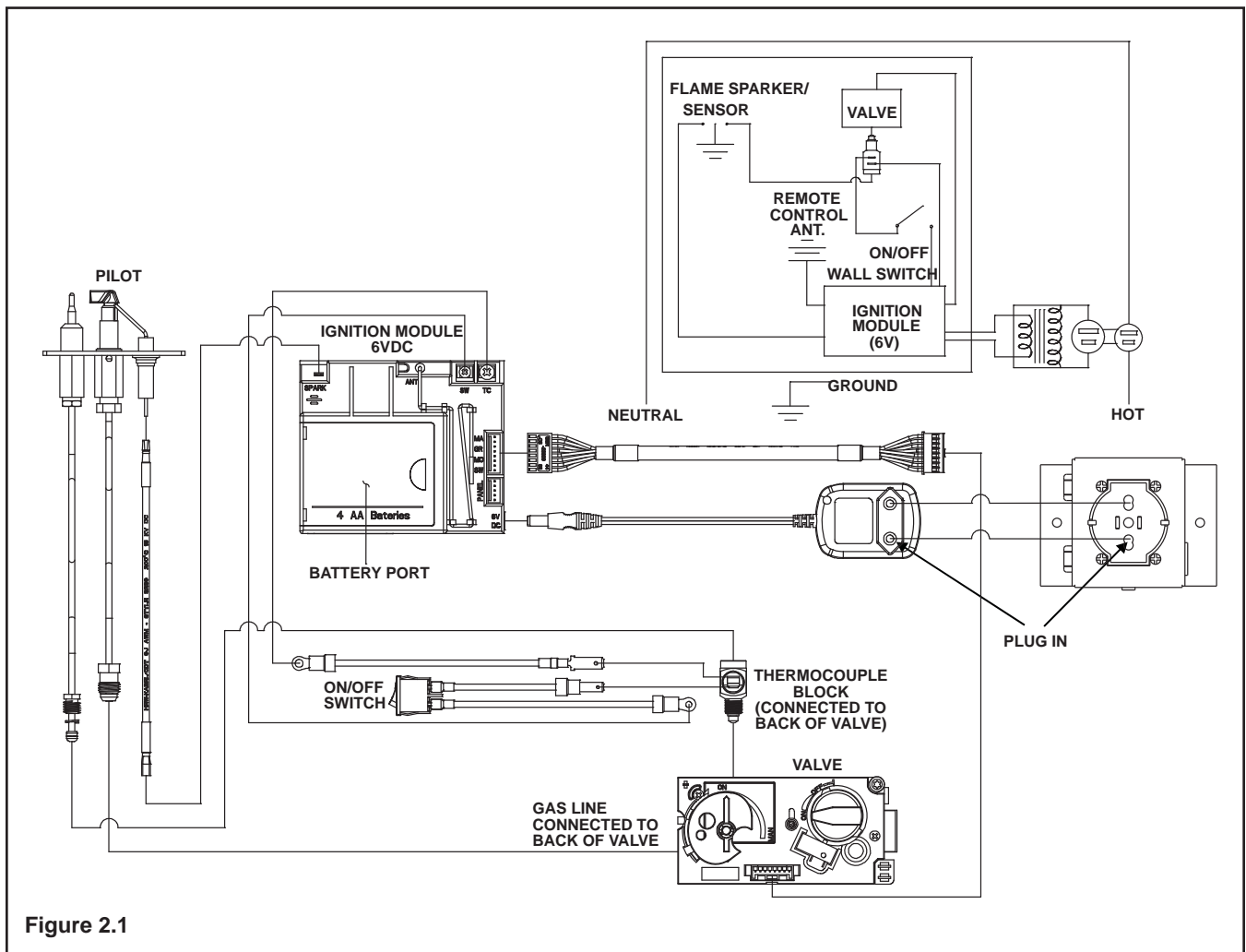


Figure 2.1

## OPERATING CAUTIONS

- THIS APPLIANCE MAY EXHIBIT A SLIGHT CARBON DEPOSITION.
- DO NOT PLACE ARTICLES ON OR AGAINST THIS APPLIANCE.
- DO NOT USE OR STORE FLAMMABLE MATERIALS NEAR THIS APPLIANCE.
- DO NOT SPRAY AEROSOLS IN THE VICINITY OF THIS APPLIANCE WHILE IT IS IN OPERATION.
- THE DRESS GUARD IS FITTED TO THIS APPLIANCE TO REDUCE THE RISK OF FIRE OR INJURY FROM BURNS AND NO PART OF IT SHOULD BE PERMANENTLY REMOVED. FOR PROTECTION OF YOUNG CHILDREN OR THE INFIRM, A SECONDARY GUARD IS REQUIRED.
- THE DRESS GUARD MUST BE IN PLACE AND SEALED AND THE FIXED MESH TRIM ASSEMBLY MUST BE IN PLACE ON THE HEATER BEFORE THE UNIT CAN BE PLACED INTO SAFE OPERATION.
- DO NOT USE THIS APPLIANCE IF ANY PART HAS BEEN UNDER WATER. IMMEDIATELY CALL A QUALIFIED SERVICE TECHNICIAN TO INSPECT THE UNIT AND TO REPLACE ANY PART OF THE CONTROL SYSTEM AND ANY GAS CONTROL WHICH HAS BEEN UNDERWATER.
- DO NOT OPERATE THIS APPLIANCE WITH THE GLASS DOOR REMOVED, CRACKED, OR BROKEN. REPLACEMENT OF THE GLASS DOOR SHOULD BE DONE BY A LICENSED OR QUALIFIED PERSON. DO NOT STRIKE OR SLAM THE GLASS DOOR.
- THE GLASS DOOR ASSEMBLY SHALL ONLY BE REPLACED AS A COMPLETE UNIT AS SUPPLIED BY THE GAS HEATER MANUFACTURER. NO SUBSTITUTE MATERIALS MAY BE USED.

## A. Safety And Lighting Information

Follow **SAFETY INFORMATION** and **LIGHTING INSTRUCTIONS** to light the appliance.

By design, the flame pattern will not be identical from unit to unit. Additionally, flame pattern may vary depending on installation type and weather conditions.

**NOTE: THE TIPS OF THE FLAMES SHOULD NEVER HIT THE TOP OF THE FIREBOX.**

These gas models have remote control valve which allow you to increase or decrease the height of the main burner flames. Push the ▲ button to increase the flame height and the ▼ button to decrease the flame height.

### FOR YOUR SAFETY READ BEFORE LIGHTING

**WARNING:** If you do not follow these instructions exactly, a fire or explosion may result causing property damage, personal injury or loss of life.

- A.** This heater is equipped with an electronic pilot ignition device which automatically lights the burner. Do not try to light the burner by hand.
- B. BEFORE LIGHTING,** smell all around the heater area for gas. Be sure to smell next to the floor because some gas is heavier than air and will settle on the floor.
- WHAT TO DO IF YOU SMELL GAS**
- Do not try to light any appliance.
  - Do not touch any electric switch; do not use any phone in your building.
  - Immediately call your gas supplier from a neighbor's phone. Follow the gas supplier's instructions.
  - If you cannot reach your gas supplier, call the fire department.
- C.** Do not use this heater if any part has been under water. Immediately call a qualified service technician to inspect the heater and to replace any part of the control system and any gas control which has been under water.

### WARNING:

**DO NOT CONNECT 240 VAC TO THE CONTROL VALVE.**

Improper installation, adjustment, alteration, service or maintenance can cause injury or property damage. Refer to the owner's information manual provided with this heater.

This heater needs fresh air for safe operation and must be installed so there are provisions for adequate combustion and ventilation air.

If not installed, operated, and maintained in accordance with the manufacturer's instructions, this product could expose you to substances in fuel or fuel combustion.

Keep burner and control compartment clean. See installation and operating instructions accompanying heater.

### CAUTION:

Hot while in operation. Do not touch. Keep children, clothing, furniture, gasoline and other liquids having flammable vapors away.

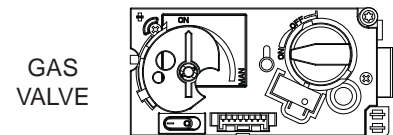
Do not operate the heater with panel(s) removed, cracked or broken. Replacement of the panel (s) should be done by a licensed or qualified service person.

### NOT FOR USE WITH SOLID FUEL

For use with natural, propane and butane gases.

### LIGHTING INSTRUCTIONS

1. This heater is equipped with an ignition device which automatically lights the burner. Do not try to light the burner by hand.



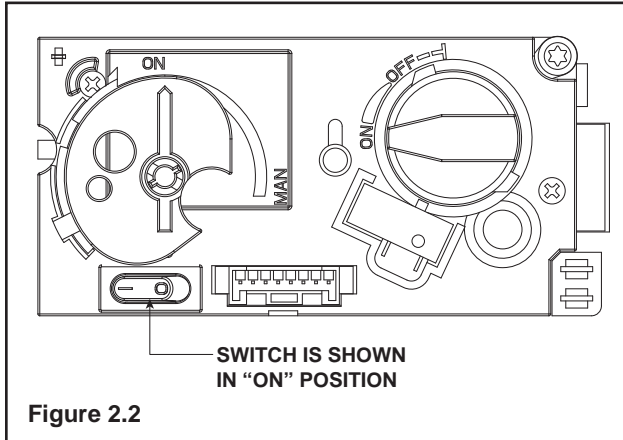
2. Wait five (5) minutes to clear out any gas. Then smell for gas, including near the floor. If you smell gas, STOP! Follow "B" in the Safety Information located on the left side of this label. If you don't smell gas, go to next step.
3. To light the burner, simultaneously press the star ☆ and up ▲ arrow buttons on the remote control until a short acoustic signal confirms the start sequence has begun.
4. If the heater will not operate, check the batteries then follow the instructions "To Turn Off Gas to Heater" and call your service technician or gas supplier.

### TO TURN OFF GAS TO HEATER

1. Push the 'OFF' button on remote.
2. Remove batteries from receiver.

## B. Power Outage

In the event of a power interruption during operation, either push the OFF button on the remote control or open access door and push the switch to OFF (as shown in Figure 39) to shut off manually. The switch must be returned to the ON position prior to operation once power is restored.



## C. Fan Operation

The accessory fan is wired in series with a speed control switch and a temperature sensor switch. Set the speed control to an "ON" position and light the heater. The temperature sensor switch will automatically start the fan when the switch warms up—and stop the fan when it cools down. You can manually stop the fan by turning the speed control switch to "OFF". See Figure 1.30 for fan wiring diagram.

### 3.0 SERVICING AND MAINTENANCE

1. **HEATER SERVICING:** Frequency of heater servicing will depend upon use and type of installation.
2. **IMPORTANT:** TURN OFF GAS BEFORE SERVICING APPLIANCE. IT IS RECOMMENDED THAT A COMPETENT SERVICE TECHNICIAN PERFORM SERVICE CHECK-UPS AT THE BEGINNING OF EACH HEATING SEASON.
3. The appliance and flue system should be inspected before initial use and at least annually by a qualified field service person.
4. Inspect the external flue cap on a regular basis to make sure that no debris is interfering with the air flow.
5. Keep the control compartment, logs, and burner area surrounding the logs clean by vacuuming or brushing at least twice a year.

**CAUTION:** THE LOGS GET VERY HOT - HANDLE ONLY WHEN COOL.

**WARNING: DO NOT USE ABRASIVE CLEANERS ON THE GLASS DOOR ASSEMBLY. DO NOT ATTEMPT TO CLEAN THE GLASS DOOR WHEN IT IS HOT.**

6. The glass door should be cleaned using a household glass cleaner. **DO NOT** handle or attempt to clean the glass when it is **HOT**.
7. Visually inspect the flexible power supply cord; if damaged, contact the service agent for a special replacement cord assembly.
8. In order to properly clean the burner and pilot assembly, turn off the gas to the unit and remove the logs exposing the burner and pilot assembly. Clean all foreign materials from top of burner. Check to make sure that the burner orifice is clean.

Visually inspect the pilot periodically. Brush or blow away any dust or linen accumulations. If the pilot orifice is plugged, disassembly may be required to remove any foreign materials from the orifice or tubing. When the appliance is put back in service, check burner flame patterns. Flames should be steady, not floating.

To obtain proper operation, it is imperative that the pilot and main burner flame characteristics are steady, not lifting or floating. Typically, the top 3/8 inch of the thermocouple should be engulfed in the pilot flame (See Figure 3.1).

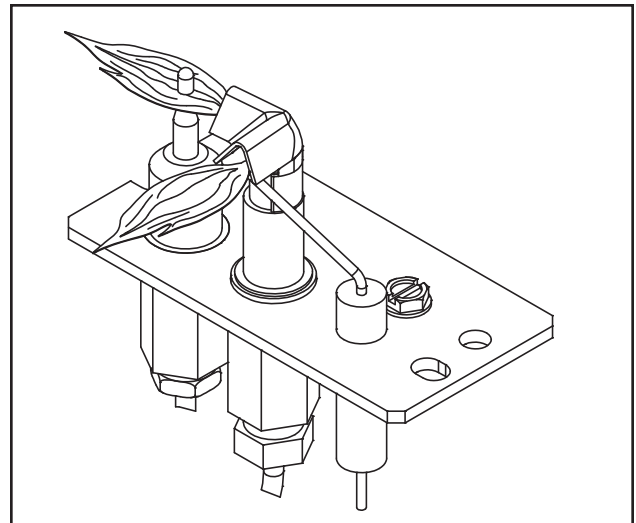


Figure 3.1

## A. Removal of Covers For Servicing

### A. Control Compartment Access Door

- Lift the lower door up and out to access the gas controls.

### B. Trim Door and Glass Door

- Lift the front trim door up and out away from the appliance side surrounds. Replace the door when servicing is complete.
- Noting carefully how the brackets fit on the glass, release the two spring latches at the top and two at the bottom of the glass door. Carefully lift the glass up and out away from the appliance. See Figure 3.2.

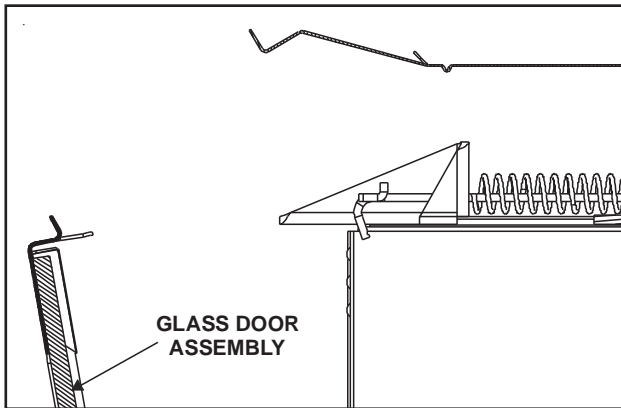


Figure 3.2

## B. Removal Of Components For Service

### 1. BURNER

- Release the screws at the base of the log grate and carefully lift up and remove the logs and log grate.
- Remove the base pan.
- Unscrew the brackets at both ends of the burner and the top two screws locating the pilot bracket (see Figure 3.3). Slide the burner away from the burner orifice.

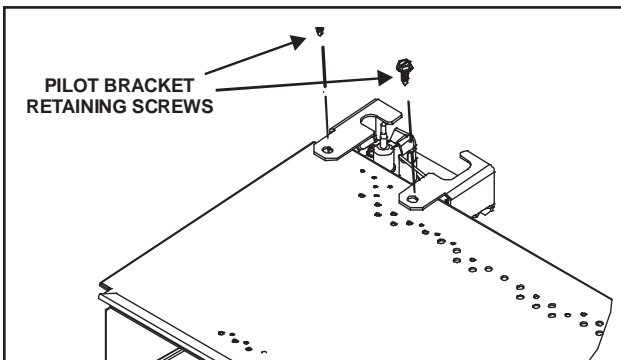


Figure 3.3

**CAUTION:** ALL SCREWS WHICH WERE REMOVED MUST BE REPLACED.

## 2. PILOT ASSEMBLY/IGNITION SYSTEM

- Remove the log set, log grate and burner assembly.
- Disconnect the gas supply tube from the underside of the pilot burner.
- Disconnect the ignition cable.
- Disconnect the attachment nut from the underside of the thermocouple. The thermocouple can then be separated from the pilot bracket.
- Unscrew the pilot assembly bracket and remove.

## C. Parts Replacement

### 1. FAN/SWITCHES

- Unplug the fan wires from the junction box wires by pulling the male and female connectors apart and slide the fan out the front of the lower controls compartment.
- Disconnect the wires from the fan speed control switch, pull off the knob, and remove the nut holding the speed control to the bracket.
- Disconnect the wires from the fan temperature sensor switch and remove the nut holding the switch bracket onto the bottom of the firebox.

### 2. GLASS PANEL

- To replace the glass door, place the bottom edge into the lower holders, push glass against unit and secure the two spring latches at the top and bottom.

## D. Adjustments And Replacement Parts

Adjustments and replacement parts for this appliance should only be done by a qualified service person. A wiring diagram for the appliance is shown in **SECTION 2.0 OPERATING INSTRUCTIONS**. A replacement part table is shown in **SECTION 4.0** of this manual.

## E. Maintenance Tasks

Inspect	Maintenance Tasks
Doors	1. Inspect for scratches, dents or other damage and repair as necessary.
	2. Verify no obstructions to airflow.
	3. Verify maintenance of proper clearance to combustible household objects.
Gasket Seal, Glass Assembly and Glass	1. Inspect gasket seal and its condition.
	2. Inspect glass panels for scratches and nicks that can lead to breakage when exposed to heat.
	3. Confirm there is no damage to glass or glass frame. Replace as necessary.
	4. Verify that latches engage properly, clip studs are not stripped, and glass attachment components are intact and operating properly. Replace as necessary.
	5. Clean glass. Replace glass assembly if severely coated with silicate deposits that cannot be removed.
Valve Compartment and Firebox Top	1. Vacuum and wipe out dust, cobwebs, debris or pet hair. Use caution when cleaning these areas. Screw tips that have penetrated the sheet metal are sharp and should be avoided.
	2. Remove any foreign objects.
	3. Verify unobstructed air circulation.
Logs	1. Inspect for broken, damaged, or missing logs. Replace as necessary.
	2. Verify correct log placement and no flame impingement causing sooting. Correct as necessary.
Firebox	1. Inspect for paint condition, warpage, corrosion or perforation. Sand and repaint as necessary.
	2. Replace appliance if firebox has been perforated.
Burner Ignition and Operation	1. Verify burner is properly secured and aligned with pilot or igniter.
	2. Clean off burner top, inspect for plugged ports, corrosion or deterioration. Replace burner if necessary.
	3. Replace ember materials with new dime-size and shape pieces. Do not block ports or obstruct lighting paths.
	4. Check for smooth lighting and ignition carryover to all ports. Verify there is no ignition delay.
	5. Inspect for lifting or other flame problems.
	6. Inspect orifice for soot, dirt or corrosion.
	7. Verify manifold and inlet pressures. Adjust regulator as required.
	8. Inspect pilot flame strength. Clean or replace orifice as necessary.
	9. Inspect thermocouple/thermopile or IPI sensor rod for soot, corrosion and deterioration. Clean with emery cloth or replace as required.
Flueing	1. Inspect venting for blockage or obstruction such as bird nests, leaves, etc.
	2. Confirm that termination cap remains clear and unobstructed by plants, etc.
	3. Verify that termination cap clearance to subsequent construction (building additions, decks, fences or sheds) has been maintained.
	4. Inspect for corrosion or separation.
	5. Verify weather stripping, sealing and flashing remains intact.
Remote controls	1. Verify operation of remote.
	2. Replace batteries in remote transmitters and battery-powered receivers.

## F. Troubleshooting

With proper installation and maintenance, your new Gas Heater should provide years of trouble-free service. If you do experience a problem, refer to the Troubleshooting Guide below. This guide will assist a qualified service person in the diagnosis of problems and the corrective action to be taken.

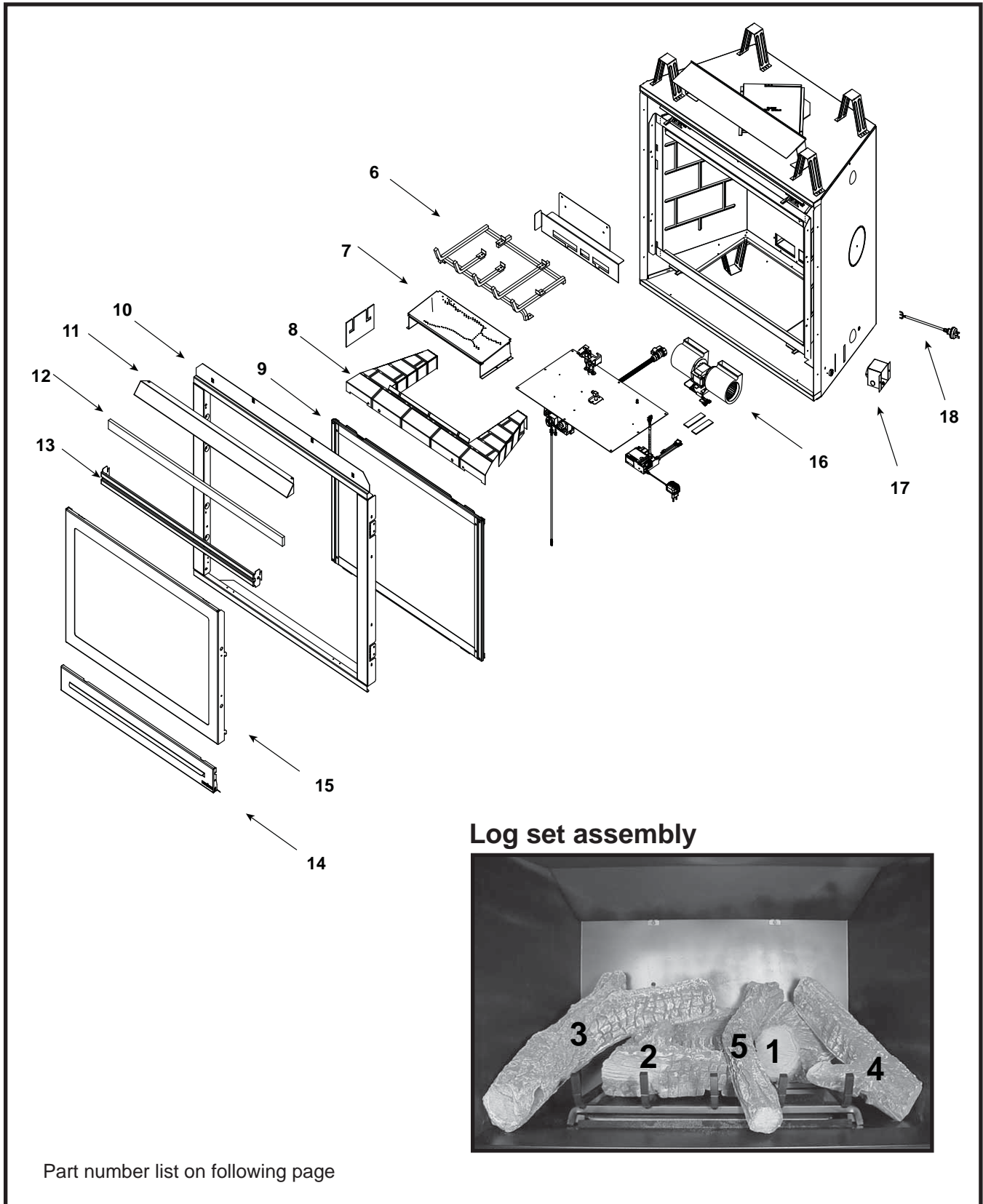
### Electronic Ignition System

Symptom	Possible Causes	Corrective Actions
1. No transmission, motor does not turn.	a. Receiver must learn new code.	Press and hold the receiver's reset button until you hear 2 acoustic signals. After the second longer acoustic signal, release the reset button and within the subsequent 20 seconds, press the down arrow on the remote handset until you hear an additional long acoustic signal confirming the new code is set.
2. No ignition. No tone.	a. Receiver	Replace receiver and reprogram code.
3. No ignition; one 5 seconds continuous tone (7 shorts beeps might be heard prior to the 5 seconds tone).	a. ON/OFF switch is in OFF position.	Push switch to ON position.
	b. Loose wire.	Secure wire.
	c. Receiver.	Replace receiver and reprogram.
	d. Bent pins on 8 wire connector.	Straighten pins on 8 wire connector.
	e. Valve.	Replace valve.
4. No pilot flame and control continues to spark.	a. Air in the pilot supply line.	Purge the line or start ignition several times.
	b. Thermocouple circuit wired incorrectly.	Check polarity of the thermocouple wires.
	c. No spark at pilot burner	Check spark gap, check wiring connection. Check for spark in location along cable.
	d. Valve.	Replace valve. Do not over tighten.
	e. Over tightened thermocouple interrupter.	Replace valve and thermocouple interrupter.
	f. Receiver.	Replace receiver and reprogram code.
5. Pilot is lit and control continues to spark. Valve shuts off after 10 to 30 seconds. Valve operates manually.	a. Receiver.	Replace receiver and reprogram code.
6. Pilot is lit, sparking stops if a flame is present. Valve shuts off after 10 to 60 seconds. Valve does not work manually.	a. Thermocouple.	Replace thermocouple.
	b. Low inlet pressure to valve.	Confirm sufficient inlet pressure to the valve. Adjust or replace inlet regulator if necessary.
	c. Valve.	Replace valve and the thermocouple interrupter.
7. 3 short beeps while the motor turns.	a. Batteries are low.	Replace batteries - quality alkaline recommended. WARNING: Creating an electrical short between the batteries/battery box and metal parts of the appliance may render the receiver inoperable.
8. Pilot flame lights but there is no main gas flow.	a. Manual override knob (if equipped) is in MAN position.	Turn Manual override knob to ON position.
	b. Valve turned down to pilot flow.	Turn flame to high fire by pressing up button on remote handset.
	c. Low inlet pressure to valve.	Confirm sufficient inlet pressure to the valve. Adjust or replace inlet regulator if necessary.
9. Pilot sparks, but pilot will not light.	a. Correct gas supply.	Verify that incoming gas line ball valve is "open". Verify that inlet pressure reading is within acceptable limits, inlet pressure must not exceed 50 mbar.
	b. Ignitor gap is too large.	Verify that spark gap from ignitor to pilot hood is .43 cm.
	c. Module is not grounded.	Verify module is securely grounded to metal chassis of heater.



**Electronic Ignition System - (continued)**

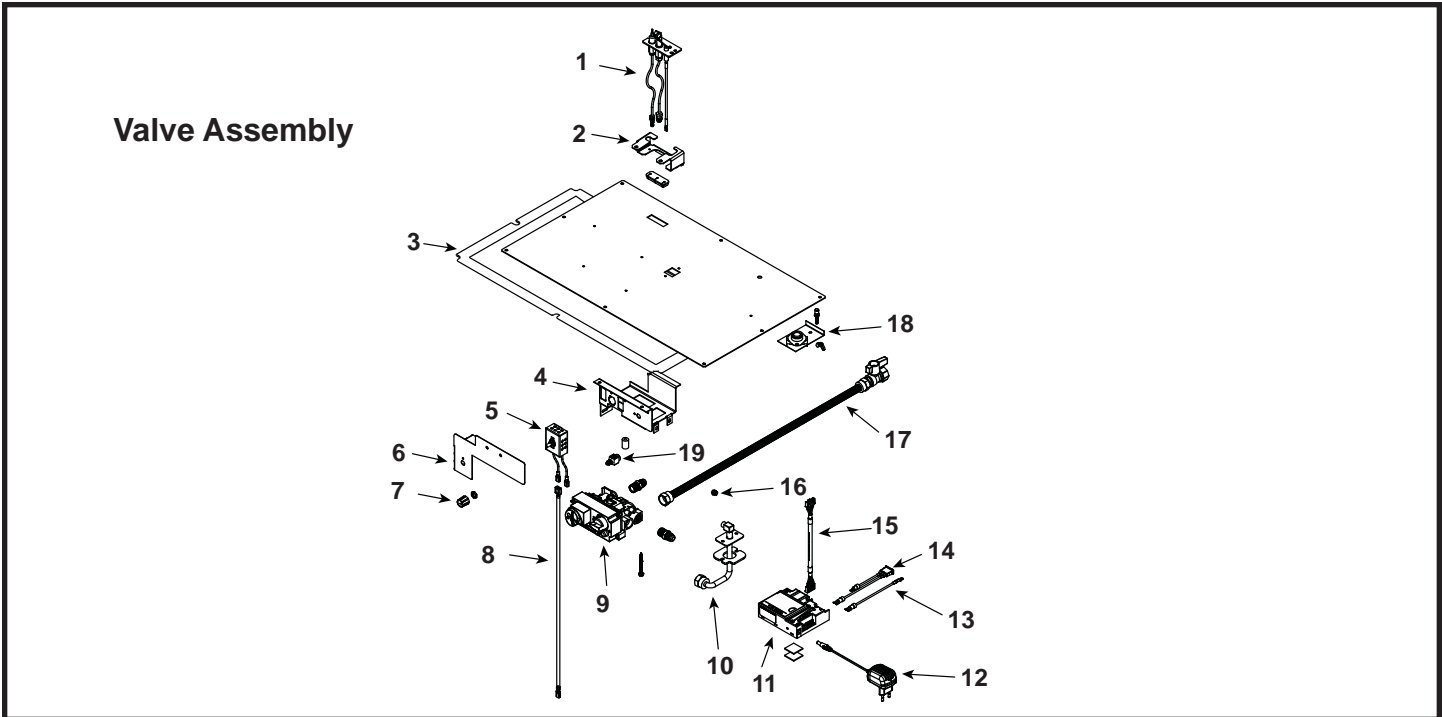
Symptom	Possible Causes	Corrective Actions
10. Glass soots.	a. Flame impingement on logs.	Adjust the log set so that the flame does not impinge on it.
	b. Improper venturi setting.	Adjust the air shutter at the base of the burner.
	c. Debris around venturi.	Inspect the opening at the base of the burner. It is imperative that NO material be placed in this opening.
11. Flame burns blue and lifts off burner.	a. Insufficient oxygen being supplied.	<ol style="list-style-type: none"> <li>1. Check to make sure flue cap is installed properly and free of debris. Make sure that flue system points are tight and have no leaks.</li> <li>2. Check to make sure that no material has been placed in the opening at the burner base or in the area of the air holes in the center of the base pan beneath the burner.</li> <li>3. Be sure glass is tightened properly on unit, particularly on top corners.</li> </ol>



IMPORTANT: THIS IS DATED INFORMATION. When requesting service or replacement parts for your appliance please provide model number and serial number. All parts listed in this manual may be ordered from an authorized dealer.

ITEM	DESCRIPTION	COMMENTS	PART NUMBER
	Log Set Assembly		LOGS-6TRSCE
1	Log #1		SRV2049-700
2	Log #2		SRV2049-701
3	Log #3		SRV385-721
4	Log #4		SRV385-722
5	Log #5		SRV385-723
6	Grate		2049-020
7	Burner Assembly N		2078-010
	Burner Assembly P		2078-012
	Burner Assembly B		2078-014
8	Base Refractory		2078-110
9	Glass Door Assembly		GLA-6TRXI
10	Surround	Pre Aug 2009	SRV2101-260
		Post Aug 2009	2166-019
11	Hood		SRV60-143-BK
12	Insulation Board		385-401
13	Top Louver		392-182A
14	Lower Door		2078-041
15	Dress Guard		2078-040
16	Blower Assembly 240v.		100-505A
17	Junction Box		2078-027
18	Cord		546-251A
	Exhaust Restrictor		2022-107
→	Glass Latch Assembly	Qty 4 req	33858
	Heat Shield Baffle		2078-100
	Heat Shield, Control Module		2078-121
	High Temp Limit Switch Assembly		046-018A
	Mineral Wool		050-721
	Multi Function Remote Control		REM-DLX-CE
	Touch-Up Paint		TUP-GBK-12
	Vent Gasket		2025-114
	<b>Conversion Kits</b>		
	Propane/Butane to Natural		PB2N-6I-AUC
	Propane to Butane		P2B-6I-AUC
	Natural to Propane		N2P-6I-AUC
	Natural to Butane		N2B-6I-AUC
	Pilot Orifice N (.0181)		2098-518
	Pilot Orifice P/ B (.0121)		2098-512

Additional service part numbers appear on following page.



**IMPORTANT: THIS IS DATED INFORMATION.** When requesting service or replacement parts for your appliance please provide model number and serial number. All parts listed in this manual may be ordered from an authorized dealer.

ITEM	DESCRIPTION	COMMENTS	PART NUMBER
1	Pilot Assembly N		2098-050
	Pilot Assembly P		2098-051
2	Pilot Bracket		2078-108
3	Gasket Valve Plate		2166-162
4	Valve Bracket		2118-104
5	Rheostat		491-510A
6	Rheostat Mounting Bracket		2078-122
7	Rheostat Knob		100-512
8	Wire Asembly 20 in		107-558A
9	Valve N		2098-136
	Valve P		2098-137
10	Flexible Gas Connector		383-302A
11	Ignition Module		2098-142
12	6 Volt Transformer		2098-144
13	Block Control Wire		2098-148
14	Switch Wire Assembly		2098-145
15	Control Cable		2098-143
16	Orifice N (#33C)		582-833
	Orifice P (#51C)		582-851
	Orifice B (#53C)		582-853
17	Gas Shutoff Assembly		2098-034
18	Temp Sensor		046-530
19	Thermocouple Block		2098-146

## Limited Lifetime Warranty

### Hearth & Home Technologies Inc. LIMITED LIFETIME WARRANTY

Hearth & Home Technologies Inc., on behalf of its hearth brands ("HHT"), extends the following warranty for HHT gas, wood, pellet, coal and electric hearth appliances that are purchased from an HHT authorized dealer.

#### **WARRANTY COVERAGE:**

HHT warrants to the original owner of the HHT appliance at the site of installation, and to any transferee taking ownership of the appliance at the site of installation within two years following the date of original purchase, that the HHT appliance will be free from defects in materials and workmanship at the time of manufacture. After installation, if covered components manufactured by HHT are found to be defective in materials or workmanship during the applicable warranty period, HHT will, at its option, repair or replace the covered components. HHT, at its own discretion, may fully discharge all of its obligations under such warranties by replacing the product itself or refunding the verified purchase price of the product itself. The maximum amount recoverable under this warranty is limited to the purchase price of the product. This warranty is subject to conditions, exclusions and limitations as described below.

#### **WARRANTY PERIOD:**

Warranty coverage begins on the date of installation. In the case of new home construction, warranty coverage begins on the date of first occupancy of the dwelling or six months after the sale of the product by an independent, authorized HHT dealer/ distributor, whichever occurs earlier. The warranty shall commence no later than 24 months following the date of product shipment from HHT, regardless of the installation or occupancy date. The warranty period for parts and labor for covered components is produced in the following table.

The term "Limited Lifetime" in the table below is defined as: 20 years from the beginning date of warranty coverage for gas appliances, and 10 years from the beginning date of warranty coverage for wood, pellet, and coal appliances. These time periods reflect the minimum expected useful lives of the designated components under normal operating conditions.

Warranty Period		HHT Manufactured Appliances and Venting							Components Covered
Parts	Labor	Gas	Wood	Pellet	EPA Wood	Coal	Electric	Venting	
1 Year		X	X	X	X	X	X	X	All parts and material except as covered by Conditions, Exclusions, and Limitations listed
2 years				X	X	X			Igniters, electronic components, and glass
		X	X	X	X	X			Factory-installed blowers
			X						Molded refractory panels
3 years				X					Firepots and burnpots
5 years	1 year			X	X				Castings and baffles
7 years	3 years		X	X	X				Manifold tubes, HHT chimney and termination
10 years	1 year	X							Burners, logs and refractory
Limited Lifetime	3 years	X	X	X	X	X			Firebox and heat exchanger
90 Days		X	X	X	X	X	X	X	All replacement parts beyond warranty period

See conditions, exclusions, and limitations on next page.

## **WARRANTY CONDITIONS:**

- This warranty only covers HHT appliances that are purchased through an HHT authorized dealer or distributor. A list of HHT authorized dealers is available on the HHT branded websites.
- This warranty is only valid while the HHT appliance remains at the site of original installation.
- Contact your installing dealer for warranty service. If the installing dealer is unable to provide necessary parts, contact the nearest HHT authorized dealer or supplier. Additional service fees may apply if you are seeking warranty service from a dealer other than the dealer from whom you originally purchased the product.
- Check with your dealer in advance for any costs to you when arranging a warranty call. Travel and shipping charges for parts are not covered by this warranty.

## **WARRANTY EXCLUSIONS:**

This warranty does not cover the following:

- Changes in surface finishes as a result of normal use. As a heating appliance, some changes in color of interior and exterior surface finishes may occur. This is not a flaw and is not covered under warranty.
- Damage to printed, plated, or enameled surfaces caused by fingerprints, accidents, misuse, scratches, melted items, or other external sources and residues left on the plated surfaces from the use of abrasive cleaners or polishes.
- Repair or replacement of parts that are subject to normal wear and tear during the warranty period. These parts include: paint, wood, pellet and coal gaskets; firebricks; grates; flame guides; and the discoloration of glass.
- Minor expansion, contraction, or movement of certain parts causing noise. These conditions are normal and complaints related to this noise are not covered by this warranty.
- Damages resulting from: (1) failure to install, operate, or maintain the appliance in accordance with the installation instructions, operating instructions, and listing agent identification label furnished with the appliance; (2) failure to install the appliance in accordance with local building codes; (3) shipping or improper handling; (4) improper operation, abuse, misuse, continued operation with damaged, corroded or failed components, accident, or improperly/incorrectly performed repairs; (5) environmental conditions, inadequate ventilation, negative pressure, or drafting caused by tightly sealed constructions, insufficient make-up air supply, or handling devices such as exhaust fans or forced air furnaces or other such causes; (6) use of fuels other than those specified in the operating instructions; (7) installation or use of components not supplied with the appliance or any other components not expressly authorized and approved by HHT; (8) modification of the appliance not expressly authorized and approved by HHT in writing; and/or (9) interruptions or fluctuations of electrical power supply to the appliance.
- Non-HHT venting components, hearth components or other accessories used in conjunction with the appliance.
- Any part of a pre-existing fireplace system in which an insert or a decorative gas appliance is installed.
- HHT's obligation under this warranty does not extend to the appliance's capability to heat the desired space. Information is provided to assist the consumer and the dealer in selecting the proper appliance for the application. Consideration must be given to appliance location and configuration, environmental conditions, insulation and air tightness of the structure.

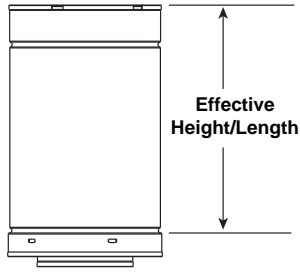
### **This warranty is void if:**

- The appliance has been over-fired or operated in atmospheres contaminated by chlorine, fluorine, or other damaging chemicals. Over-firing can be identified by, but not limited to, warped plates or tubes, rust colored cast iron, bubbling, cracking and discoloration of steel or enamel finishes.
- The appliance is subjected to prolonged periods of dampness or condensation.
- There is any damage to the appliance or other components due to water or weather damage which is the result of, but not limited to, improper chimney or venting installation.

## **LIMITATIONS OF LIABILITY:**

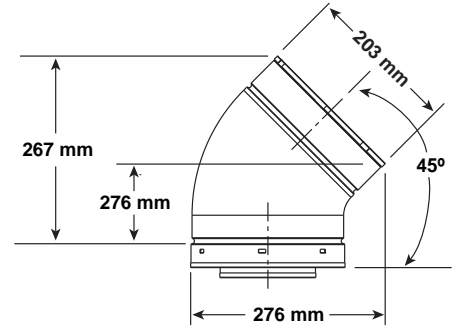
- The owner's exclusive remedy and HHT's sole obligation under this warranty, under any other warranty, express or implied, or in contract, tort or otherwise, shall be limited to replacement, repair, or refund, as specified above. In no event will HHT be liable for any incidental or consequential damages caused by defects in the appliance. Some states do not allow exclusions or limitation of incidental or consequential damages, so these limitations may not apply to you. This warranty gives you specific rights; you may also have other rights, which vary from state to state. **EXCEPT TO THE EXTENT PROVIDED BY LAW, HHT MAKES NO EXPRESS WARRANTIES OTHER THAN THE WARRANTY SPECIFIED HEREIN. THE DURATION OF ANY IMPLIED WARRANTY IS LIMITED TO DURATION OF THE EXPRESSED WARRANTY SPECIFIED ABOVE.**

# Vent Components Diagrams

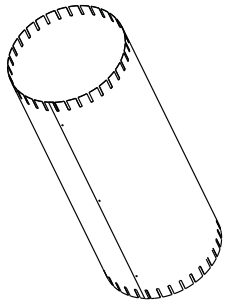


DVP Pipe see chart

Pipe	Effective Length
	Millimeters
DVP4	102
DVP6	152
DVP12	305
DVP24	610
DVP36	914
DVP48	1219
DVP6A	76 to 152
DVP12A	76 to 305
DVP12MI	76 to 305
DVP24MI	76 to 610

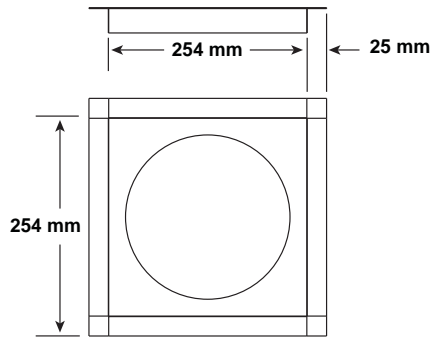


DVP45 45° Elbow

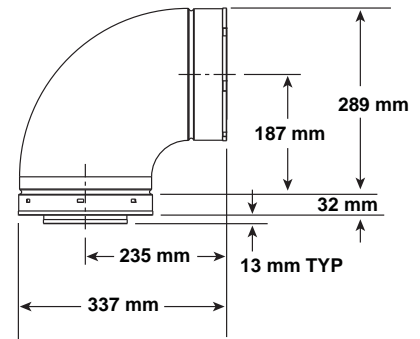


Assembled Height: 610 mm Diameter: 254 mm

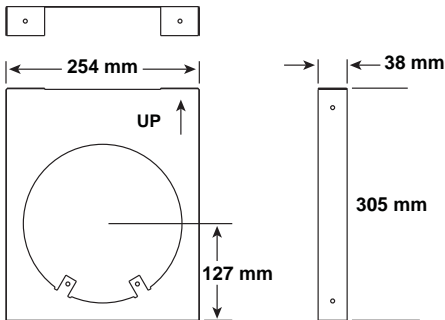
DVP-AS2



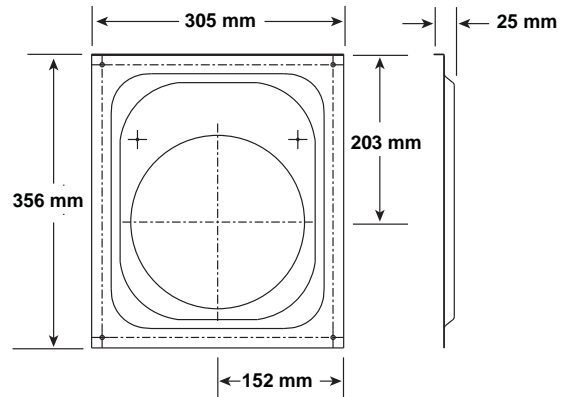
DVP-FS Ceiling Firestop



DVP90ST 90° Elbow



DVP-HVS Vent Support

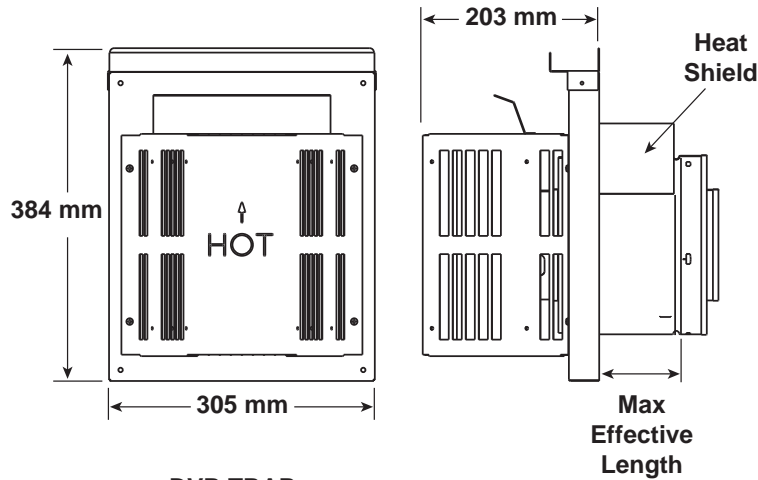


DVP-WS Wall Shield Firestop

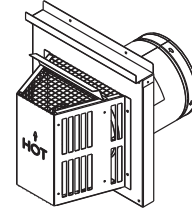
Figure 3.4 DVP vent components

## Vent Components Diagrams

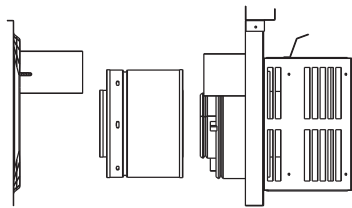
Note: Heat shields **MUST** overlap by a minimum of 38 mm. **The heat shield is designed to be used on a wall 102 mm to 184 mm thick.** If wall thickness is less than 102 mm the existing heat shields must be field trimmed. If wall thickness is greater than 184 mm a DVP-HSM-B will be required.



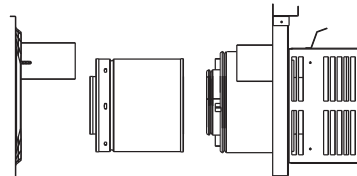
**DVP-TRAP**  
Horizontal Termination Cap



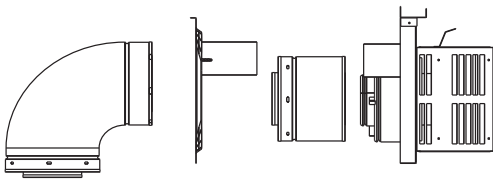
Term Cap	Minimum Effective Length	Maximum Effective Length
Trap1	79 mm	117 mm
Trap2	137 mm	238 mm



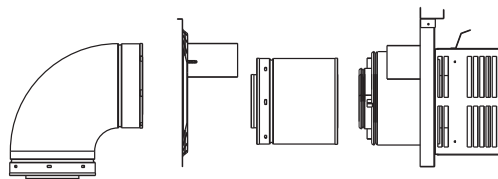
**DVP-TRAP1**



**DVP-TRAP2**



**DVP-TRAPK1**

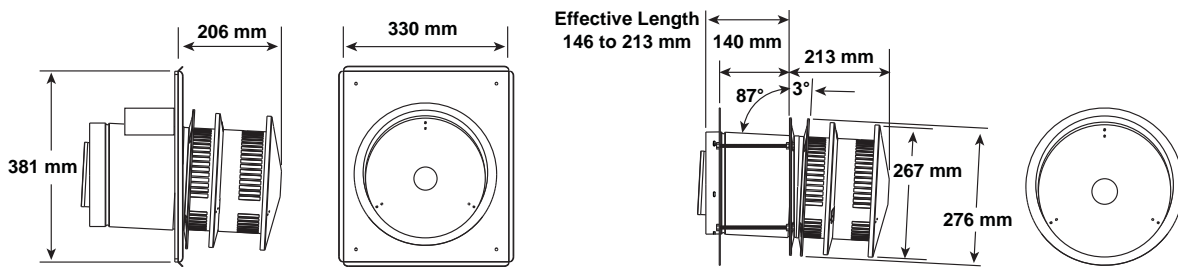


**DVP-TRAPK2**

**Figure 3.5** DVP vent components



# Vent Components Diagrams

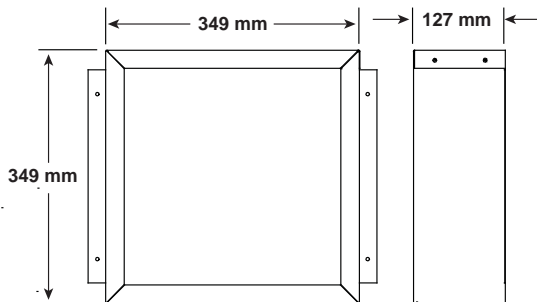


DVP-HRC-SS  
DVP-HRC-ZC-SS  
Horizontal Termination Cap

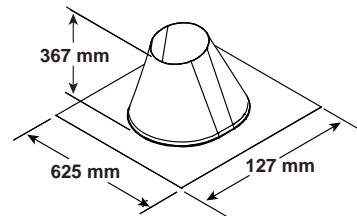
**⚠ WARNING**

Fire Risk.

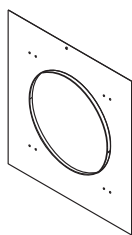
- When using DVP-HRC-SS and DVP-HRC-ZC-SS termination caps on top vented fireplaces, a 6 inch minimum vertical vent section is required before installing first elbow.



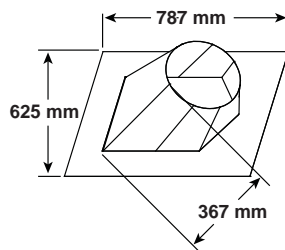
BEK  
Trap Cap Brick Extension



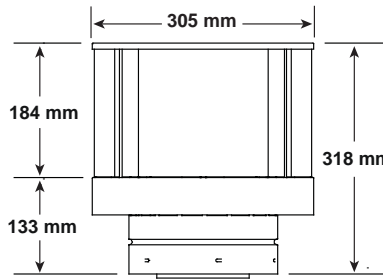
RF6M  
Roof Flashing Multi-pak



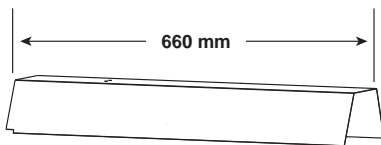
DVP-TRAPFL  
Flashing



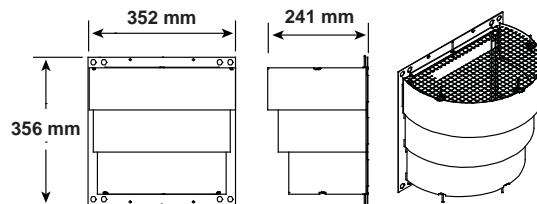
RF12M  
Roof Flashing Multi-pak



DVP-TVHW  
Vertical Termination Cap Highwind



DVP-HSM-B  
Extended Heat Shield



DRC-RADIUS  
Cap Shield

Figure 3.6 DVP vent components

## For Service or Replacement Parts Contact:

---

### **Melbourne**

Jetmaster  
444 Swan Street  
Richmond 3121  
(03) 9429-5573

### **Perth**

Fireplace Corner  
277 Lord Street  
East Perth 6000  
(08) 9228-2600

### **Sydney**

Jetmaster  
10 Martin Avenue  
Arncliffe 2205  
(02) 9597-7222