

SERVICE MANUAL
(Door Frame Glass Removal /Replacement)
Model: SF-PP23, SF-PP26
- Instructions -



Leave this manual with party responsible for use and operation.

NOTICE! DO NOT discard this manual. Important service and maintenance instructions included.

NOTICE! DO NOT discard any hardware while servicing. It must be reused.

⚠ WARNING: If the information in these instructions is not followed exactly it may result in personal injury and/or property damage.

CAUTION! Risk of Cuts, Abrasions or Flying Debris. Wear protective gloves and safety glasses during installation and service. Sheet metal edges are sharp.

Tools and Supplies Needed

Before beginning the installation be sure that the following tools and building supplies are available.

- Pliers
- Phillips screwdriver
- Electric drill and bits (1/4 in.)
- Safety glasses
- Flat blade screwdriver

WARNING! Risk of Shock! Always unplug the cord before moving or servicing.

Door Frame Glass Removal / Replacement:

1. Remove unit from cabinet.
2. Access rear side of front flange of the sides and top of the unit.
3. Remove 16 screws around top and side flange (4 on top and 6 on each side). See Figure 1.
4. Remove damaged glass frame assembly. See Figure 2.
5. Align new glass frame assembly on the face of the unit.
6. Attach the new glass frame by installing 16 screws through the side and top flange.
7. Install unit into cabinet.

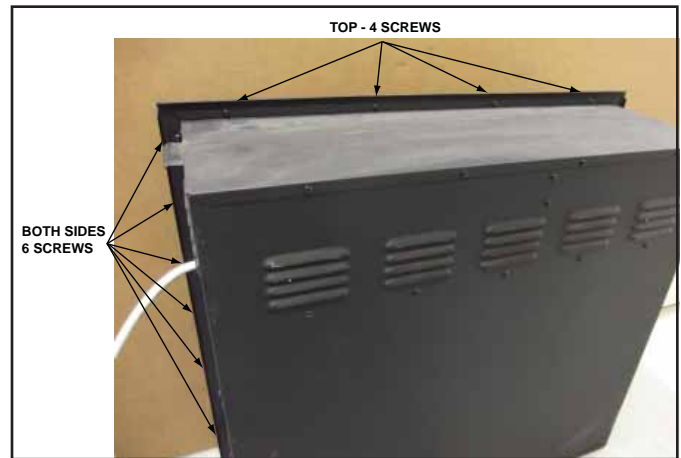


Figure 1



Figure 2

Installation into Cabinet (Mounting Brackets)

1. Locate the securing hardware and mounting brackets.
See Figure 3.

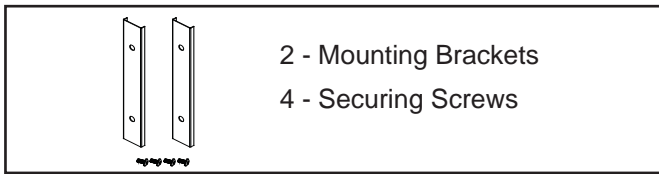


Figure 3 Mounting Hardware

2. Lift fireplace into the rear of the finished mantel and slide forward into opening. See Figure 4

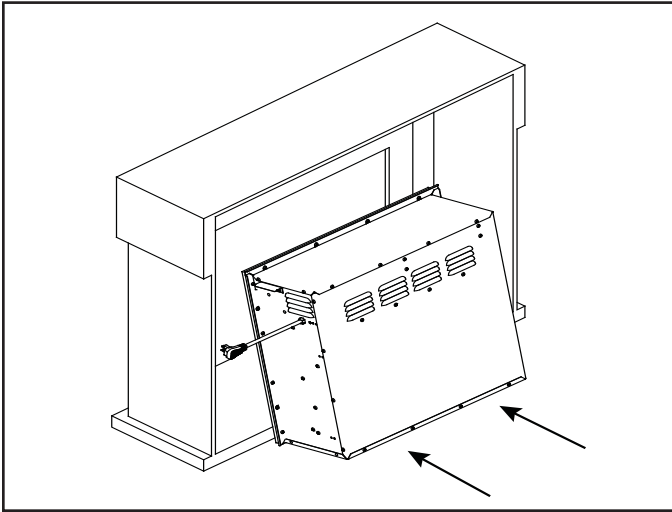


Figure 4 Installing Fireplace

3. Secure the fireplace into finished mantel by installing brackets. Line up holes in brackets with holes in mantel and secure each side with two screws. See Figure 5.

WARNING! Risk of Fire! Do not store or use gasoline or other flammable vapors and liquids in the vicinity of the heater.

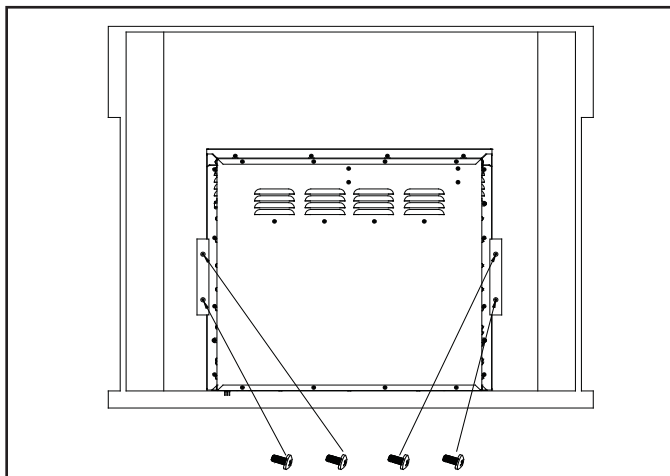


Figure 5 Securing Fireplace

Please contact the SimpliFire customer/technical support hotline at 877-320-0730 with any questions or concerns.

SimpliFire, a brand of Hearth & Home Technologies
7571 215th Street West, Lakeville, MN 55044
www.hearthnhome.com