

## SERVICE MANUAL

(Power Cord, Stones, Fan Box, Glass Front, Mounting Bracket, Screen & Flame Rod)

**Model: SF-WM36, SF-WM58, SF-WM70, SF-WM94**

- Instructions -



Leave this manual with party responsible for use and operation.

**NOTICE! DO NOT discard this manual.** Important service and maintenance instructions included.

**NOTICE! DO NOT discard any hardware while servicing.** It must be reused.



**WARNING: If the information in these instructions is not followed exactly it may result in personal injury and/or property damage.**

**CAUTION! Risk of Cuts, Abrasions or Flying Debris.** Wear protective gloves and safety glasses during installation and service. Sheet metal edges are sharp.

### Tools and Supplies Needed

Before beginning the installation be sure that the following tools and building supplies are available.

Pliers

Phillips screwdriver

Electric drill and bits (1/4 in.)

Flat blade screwdriver



**WARNING! Risk of Shock! Always unplug the cord before moving or servicing.**

### Replacement Instructions

#### Power Input Cord Installation

1. Switch the main switch control on the right corner of the appliance to the OFF position.
2. Unplug the power input cord from the wall receptacle.
3. Locate power input cord connection located on the lower right corner of the appliance.
4. Remove one screw and metal strain relief bracket. See Figure 1 (SF-WM36) and Figure 2 (SF-WM58 & SF-WM70).
5. Unplug cord from appliance.
6. Install new cord on appliance and install metal strain relief bracket with one screw. See Figure 1 (SF-WM36) and Figure 2 (SF-WM58 & SF-WM70).
7. Plug cord into wall receptacle.



Figure 1 (SF-WM36) Power Input Cord and Strain Relief Bracket on Lower Right of Appliance

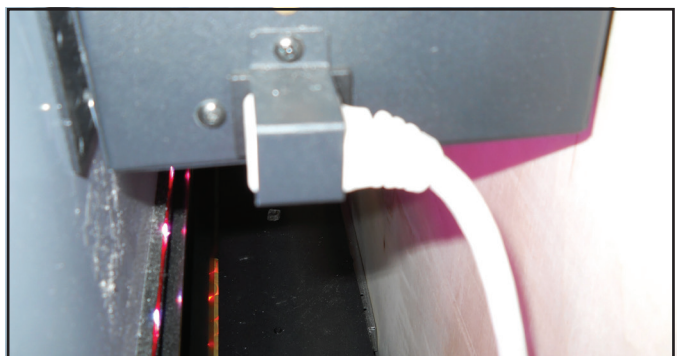


Figure 2 (SF-WM58 & SF-WM70) Power Input Cord and Strain Relief Bracket on Lower Right of Appliance

## Faux Stone Installation

Arrange the white and clear faux stones along the inset window ledge at the front of the firebox. Place clear stones over LED bulbs and fill remaining gaps with white stones.

## Glass Front Installation

1. Remove Glass Front from appliance. Remove two retaining screws that connect the mounting brackets on the glass front to the top corners of the appliance. Pull gently on the bottom of the glass panel to disengage the plug connectors on the bottom corners of the appliance. When the plug connectors are disengaged, lift up on the glass front to disengage the hanging brackets from the top corners of the appliance. Set the glass front aside in a safe location. See Figure 13.
2. Install glass front as shown in Figure 3. Engage tabs on rear face of glass with the slots in the top of the appliance. Install glass front so that the tabs on its back side engage the slots in the top of the appliance. Once both tabs engage, press firmly against the bottom face of the glass panel to engage the bottom connectors.
3. Secure the glass front to the appliance with two screws (removed in step 1) through the two glass front mounting brackets on the top of the appliance. See Figure 3.

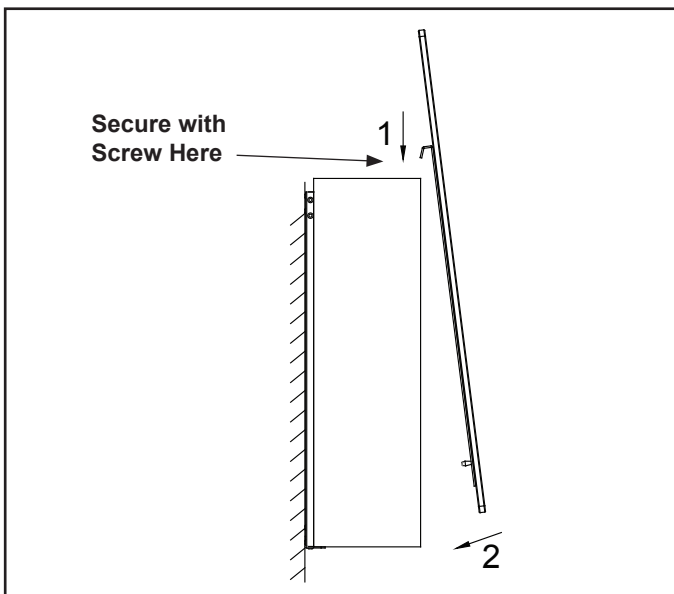


Figure 3 Attaching Fireplace to Bracket

## Screen Installation

1. Switch the main switch control on the right corner of the appliance to the OFF position.
2. Unplug the power input cord from the wall receptacle.
3. Remove Glass Front. Refer to Glass Front Installation instructions.
4. Remove four screws, two screws on each side of the appliance. See Figure 4.



Figure 4 Bracket Screws

6. Remove the side brackets on the appliance. See Figure 5.

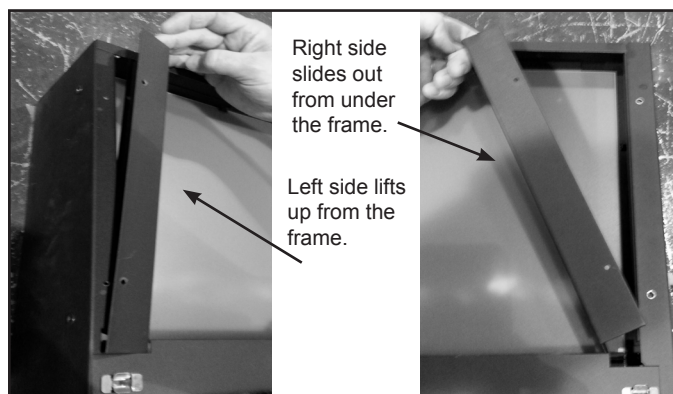


Figure 5 Side Bracket Removal

7. Locate the four tabs at the top of the appliance frame holding the screen into place.
8. Using a flat screwdriver, lift tabs into an upright position to release the screen. See Figure 6.

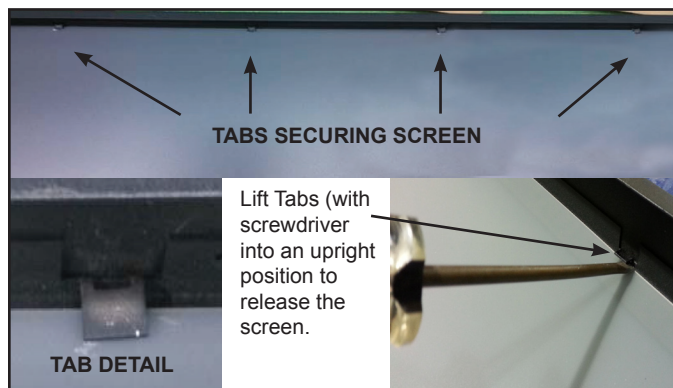


Figure 6 Side Bracket Removal

- Remove the screen by lifting a corner and working it out of the top of the appliance chassis. See Figure 7.



Figure 7 Screen Removal

- Lift the screen out of the bottom of the appliance.
- Replace the screen with the replacement screen.
- Reverse steps of the Screen Replacement Instructions to secure the screen in the appliance.
- Install the Glass Front. See the Glass Front Installation Instructions.

## Flame Rod Installation

- Switch the main switch control on the right corner of the appliance to the OFF position.
- Unplug the power input cord from the wall receptacle.
- Remove Glass Front. Refer to Glass Front Installation instructions.
- Remove Screen. Refer to Screen Installation instructions.

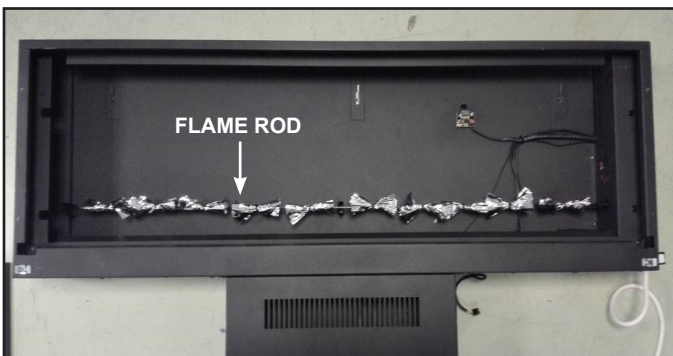


Figure 8 Flame Rod

- Remove screw in the center bracket that is holding the Flame Rod in place. See Figure 9.

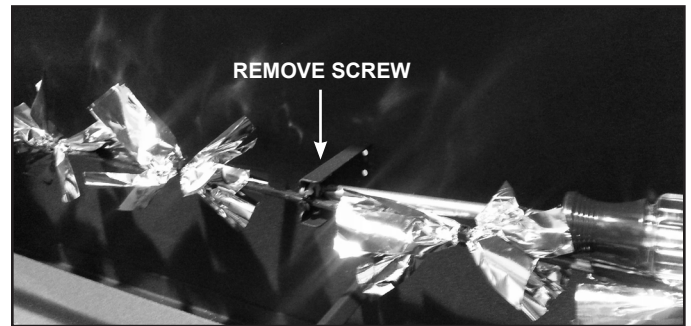


Figure 9 Center Bracket - Flame Rod

- Pull out the black rubber end of the Flame Rod located on the right side of the appliance. See Figure 10.

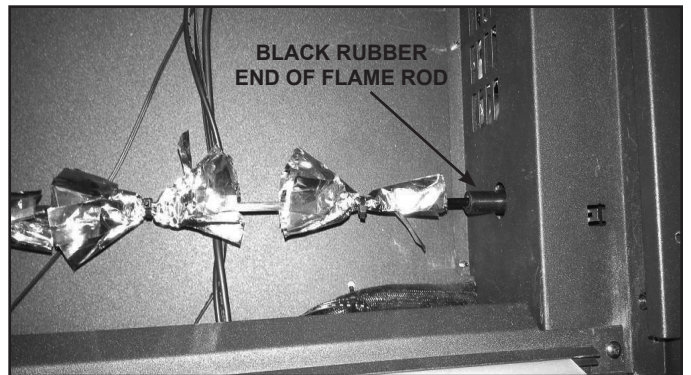


Figure 10 Black Rubber End of Flame Rod

- Remove Flame Rod from appliance. See Figure 11.

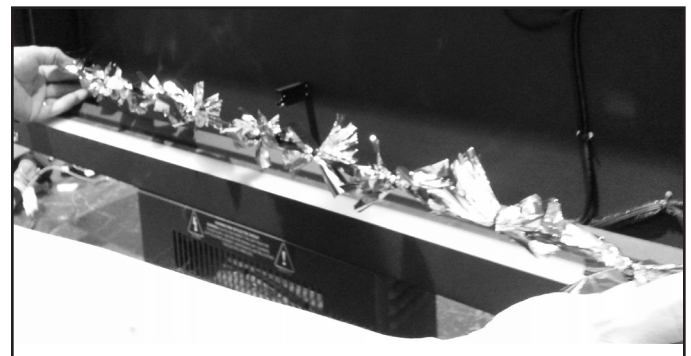


Figure 11 Remove Flame Rod

- Replace the Flame Rod with the replacement.
- Reverse steps of the Flame Rod Installation instructions.
- Reverse steps of the Screen Replacement Instructions to secure the screen in the appliance.
- Install the Glass Front. See the Glass Front Installation Instructions.

## Fan Box Installation

(Not applicable for SF-WM36)

1. Switch the main switch control on the right corner of the appliance to the OFF position.
2. Unplug the power input cord from the wall receptacle.
3. Locate lighting LED wire harness connector on bottom of Glass Front. Disconnect it from the appliance. See Figure 12.



Figure 12 Lighting LED Connection

**CAUTION!** Glass Front is heavy. Handle with Care.

4. Remove Glass Front from appliance. Remove two retaining screws that connect the mounting brackets on the glass front to the top corners of the appliance. Pull gently on the bottom of the glass panel to disengage the plug connectors on the bottom corners of the appliance. When the plug connectors are disengaged, lift up on the glass front to disengage the hanging brackets from the top corners of the appliance. Set the glass front aside in a safe location. See Figure 13.

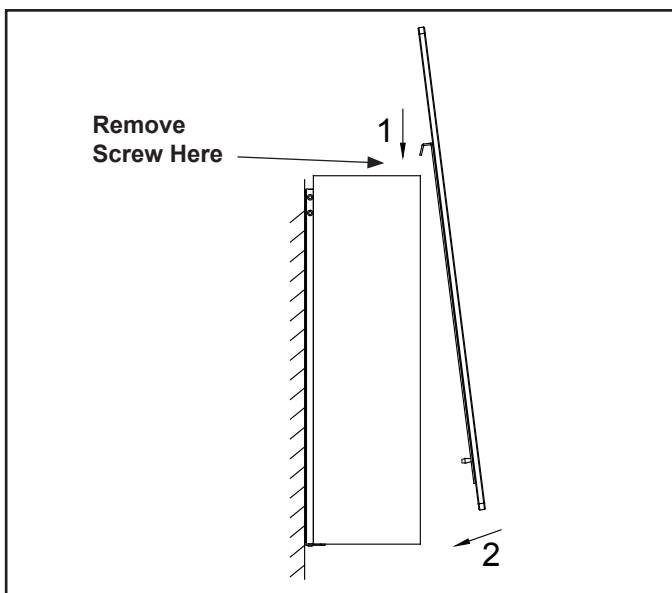


Figure 13 Removing Front to Fireplace

5. Remove four screws that attach fan box to the bottom of the appliance. As the screws are removed, support the weight of the module. See Figure 14 and 15.



Figure 14 Fan Box Fasteners



Figure 15 Support Fan Box while accessing Electrical Connector

6. Locate and unplug the electrical connector on the bottom of the appliance. See Figure 16.



Figure 16 Electrical Connector lower right of Appliance

7. Locate replacement fan box. Plug the electrical connector into the bottom of the appliance.
8. Locate the fan box to the bottom of the appliance so that the fastener holes align.
9. Install all four screws between the fan box and the appliance.
10. Install the glass front on appliance. Engage the tabs on the two hanging brackets with the slots in the top corner of the appliance. Push against the bottom of the Glass Front to engage the plug connectors. Install the two retainer screws between the Glass Front mounting brackets and the appliance.
11. Connect the lighting LED harness to the appliance harness.

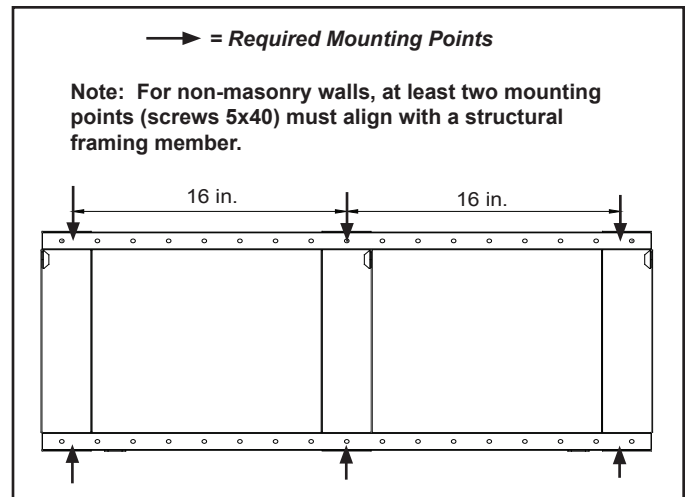


Figure 18 (SF-WM58) Mounting Bracket

## Wall Mounting Bracket

The wall mounting bracket must be used to mount the appliance. This appliance must be mounted to a structural wall capable of bearing a 40 pound load for SFWM36, 85 pound load for SF-WM58, 110 pound load for SF-WM70, 135 pound load for SF-WM94.

Determine the desired location of the appliance on the wall. Place the wall mounting bracket in the desired location. Ensure that the bracket is level. Mark all locations on the wall that correspond to the required mounting points in the bracket. See Figure 17 (SF-WM36), Figure 18 (SF-WM58), Figure 19 (SF-WM70) or Figure 20 (SF-WM94).

Orientate the bracket so that its mounting hooks are pointing up as shown in Figure 17 (SF-WM36), Figure 18 (SF-WM58), Figure 19 (SF-WM70) or Figure 20 (SF-WM94). Fasten the bracket to the wall. The bracket installation method varies depending on the wall construction

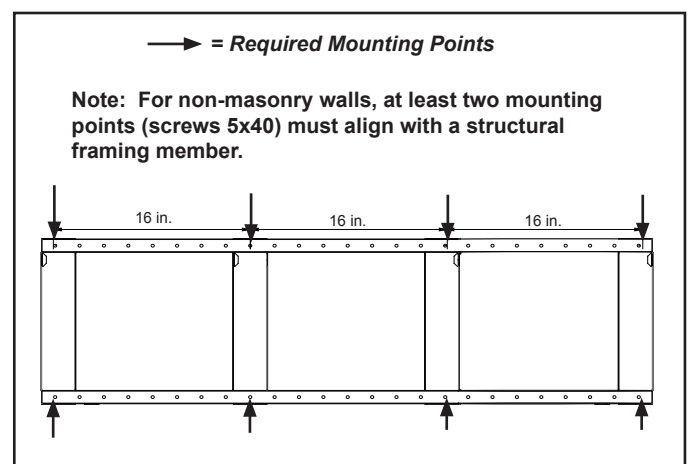


Figure 19 (SF-WM70) Mounting Bracket

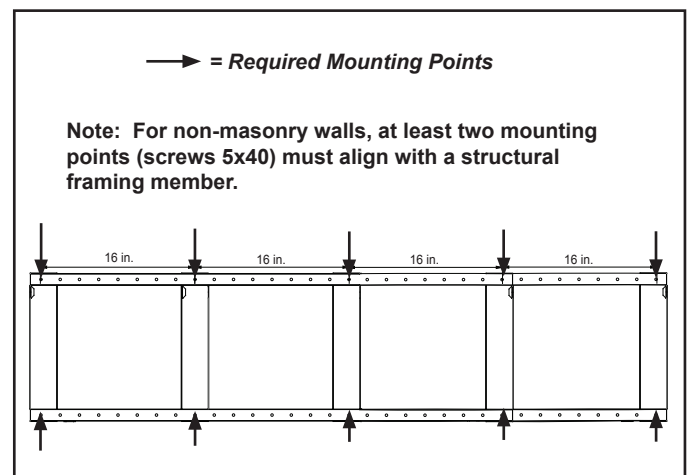


Figure 20 (SF-WM94) Mounting Bracket

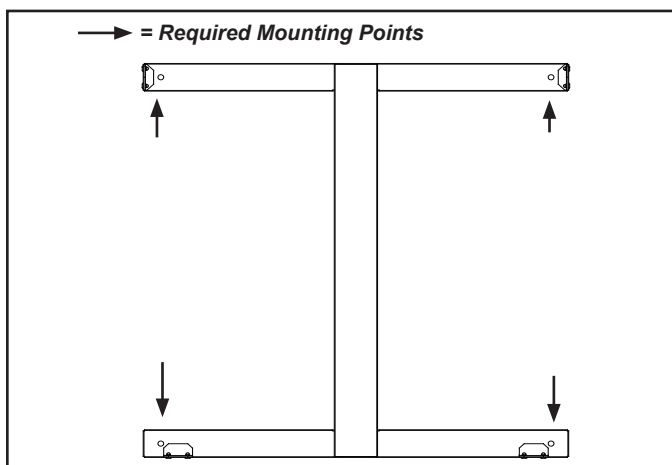


Figure 17 (SF-WM36) Mounting Bracket

## Wall Mount Bracket Installation

The wall mounting bracket can be installed on masonry walls such as those constructed of brick or concrete, or to framed walls constructed of wood or steel framing sheathed with gypsum drywall, wood, etc. The method used to mount the mounting bracket is different between masonry walls and framed walls. Refer to the following sections for more detail on the method applicable to this installation.

### Masonry Wall

- In the marked locations, drill 5/16 in. diameter x 2 in. deep holes. See Figure 21 (SF-WM36), Figure 22 (SF-WM58), Figure 23 (SF-WM70) or Figure 24 (SF-WM94).
- Insert the provided wall anchors into the holes.
- Gently tap the anchors with a hammer until they are flush with the wall surface.
- With mounting hooks pointed up, attach the bracket to the masonry anchors with 6 x 50 screws. See Figure 25 (SF-WM36), Figure 26 (SF-WM58), Figure 27 (SF-WM70) or Figure 28 (SF-WM94).

**WARNING! Risk of Damage or Personal Injury! Do not use supplied masonry anchors on hollow walls, sheathed with wood, sheetrock, drywall or other materials.**

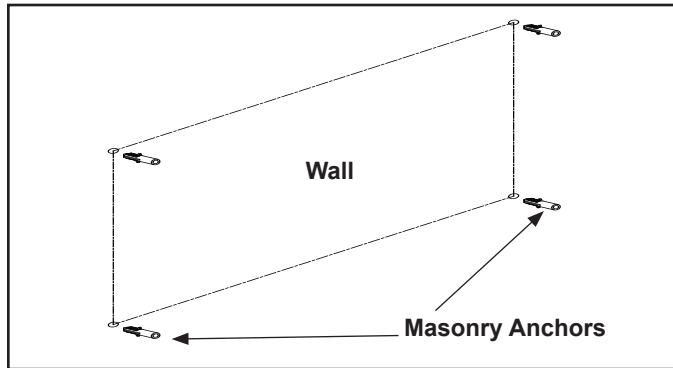


Figure 21 (SF-WM36) Masonry Anchor Placement

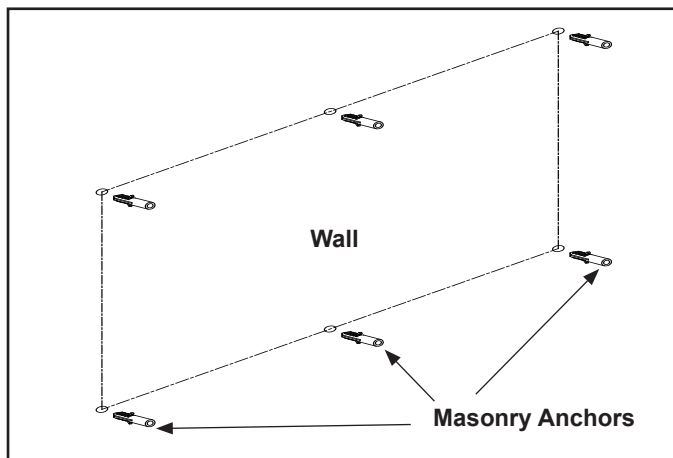


Figure 22 (SF-WM58) Masonry Anchor Placement

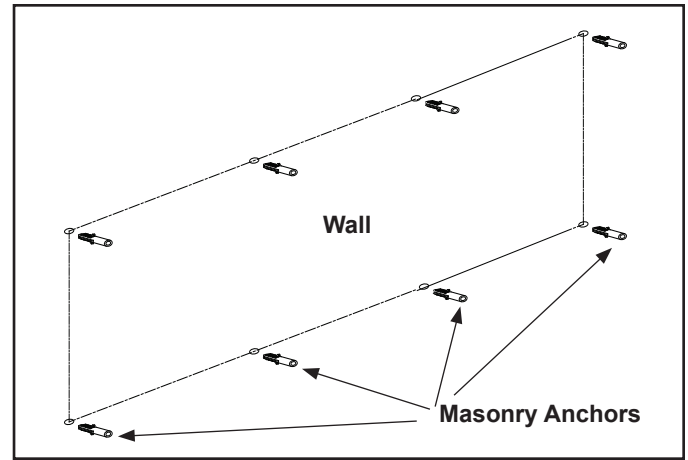


Figure 23 (SF-WM70) Masonry Anchor Placement

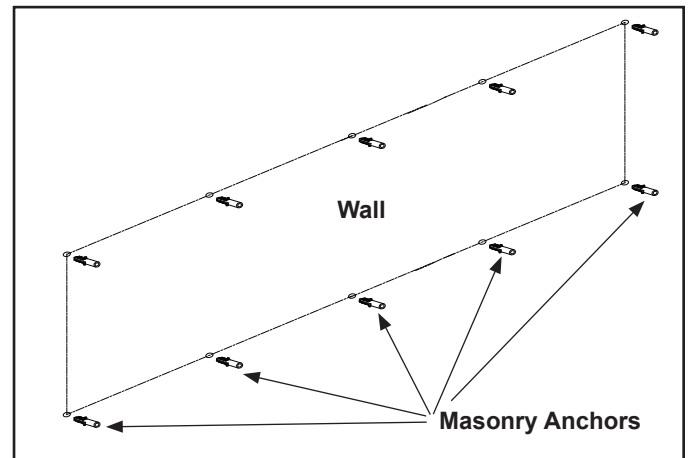


Figure 24 (SF-WM94) Masonry Anchor Placement

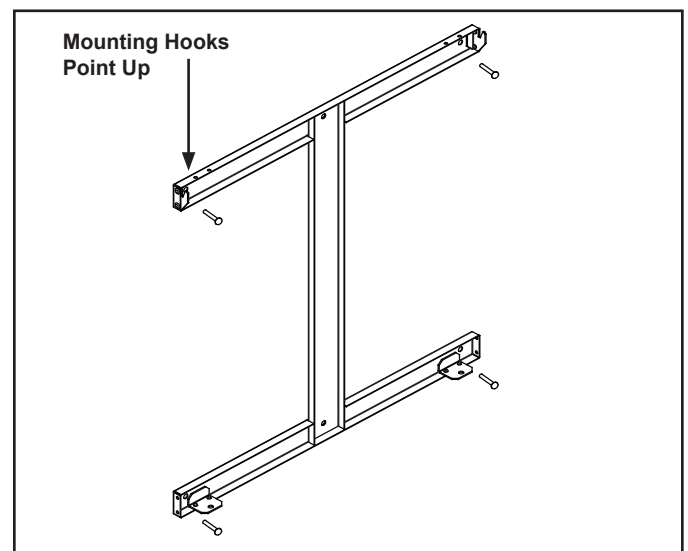


Figure 25 (SF-WM36) Bracket Attachment

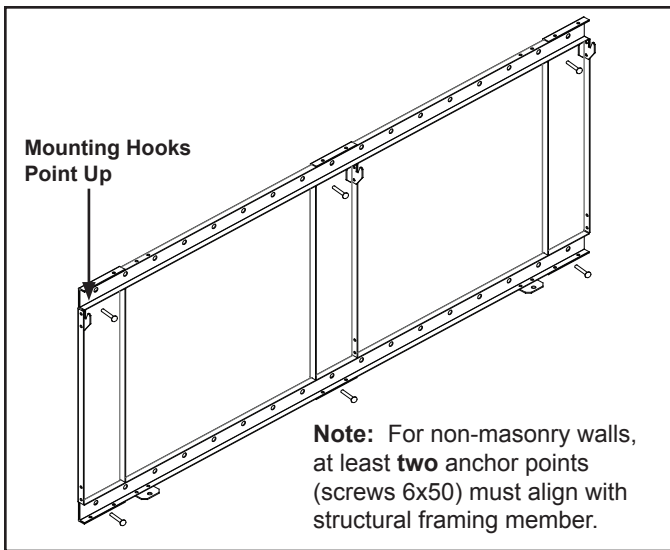


Figure 26 (SF-WM58) Bracket Attachment

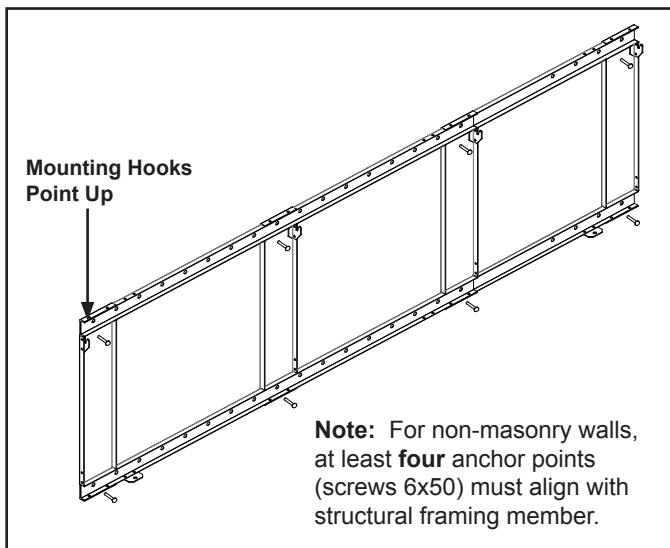


Figure 27 (SF-WM70) Bracket Attachment

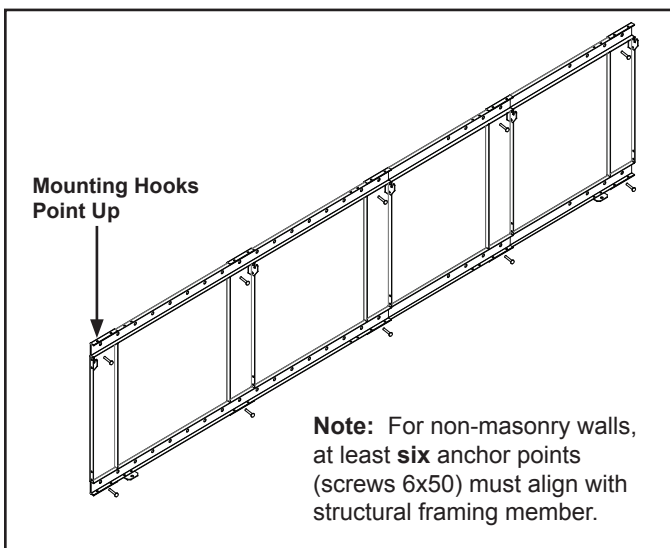


Figure 28 (SF-WM94) Bracket Attachment

The wall mounting bracket can be installed on masonry walls such as those constructed of brick or concrete, or to framed walls constructed of wood or steel framing sheathed with gypsum drywall, wood, etc. The method used to mount the mounting bracket is different between masonry walls and framed walls. Refer to the following sections for more detail on the method applicable to this installation.

### Framed Wall

- For each of the marked anchor point locations, determine which points align with a structural framing member.
- At the points where a wood or metal framing member exists, the 6 x 50 screw can be installed directly into that structural member.
- Every mounting hole that does not align with a structural framing member, a wall board toggle-bolt anchor must be used. See Figure 29.

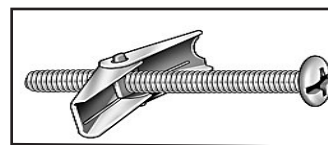


Figure 29 3/16 Toggle-Bolt Anchor

- The toggle-bolt anchors are provided to accommodate the required anchor points based on the appliance. Use of toggle bolt anchors requires drywall thickness of minimum 1/2 in.
- Insert the bolt through the front side of the mounting bracket and thread the toggle onto it from the rear of the bracket. See Figure 30.
- Fold the toggle wings flush against the bolt and push them through a drilled hole until they expand open on the other side. See Figure 31.
- Pull back on the bolt and tighten. See Figure 31.

**Note:** This product cannot be installed on a wall sheathed with drywall less than 1/2 in. thick, unless all six anchor points in the mounting bracket align with structural framing members.

**WARNING! Risk of Damage or Personal Injury!** Allowable pull-out and shear strength are 25% of ultimate values or less, as required by building authorities.



Figure 30 Toggle Bolt Installation through Mounting Bracket



Figure 31 Installing Anchors in Hollow Wall

Please contact the SimpliFire customer/technical support hotline at 877-320-0730 with any questions or concerns.

SimpliFire, a brand of Hearth & Home Technologies  
7571 215<sup>th</sup> Street West, Lakeville, MN 55044  
[www.hearthnhome.com](http://www.hearthnhome.com)