

This appliance has been retired.  
Service parts pages within have been removed.  
For replacement parts, please refer to the individual  
service parts list located on the brand websites.



U.S. PATENTS 4,875,464; and 5,000,162

# MODEL 6000TV INSTALLATION AND OPERATION INSTRUCTIONS



A.G.A. Design Certified  
and  
CGA Certified



THIS MANUAL MUST BE USED FOR INSTALLATION AND RETAINED BY HOMEOWNER FOR  
OPERATION AND MAINTENANCE.

**HEAT-N-GLO FIREPLACE PRODUCTS, INC.**

6665 W. Hwy 13 Savage, MN 55378 (612)890-8367



## INSTALLATION AND OPERATION INSTRUCTIONS

PLEASE READ THIS MANUAL BEFORE INSTALLING AND USING THE FIREPLACE

MODEL 6000TV is A.G.A. DESIGN CERTIFIED AND CGA CERTIFIED FOR NATURAL GAS AND PROPANE

### FOR YOUR SAFETY

Do not store or use gasoline or other flammable vapors and liquids in the vicinity of this or any other appliance.

### FOR YOUR SAFETY

#### What to do if you smell gas:

- Extinguish any open flame.
- Do not try to light any appliance.
- Do not touch any electrical switch; do not use any phone your building.
- Immediately call your gas supplier from a neighbor's phone. Follow the gas supplier's instructions.
- If you cannot reach your gas supplier, call the fire department.

DUE TO HIGH TEMPERATURES, THE APPLIANCE SHOULD BE LOCATED OUT OF TRAFFIC AND AWAY FROM FURNITURE AND DRAPERIES.

DO NOT PLACE CLOTHING OR OTHER FLAMMABLE MATERIAL ON OR NEAR THE APPLIANCE. CHILDREN AND ADULTS SHOULD BE ALERTED TO THE HAZARDS OF HIGH SURFACE TEMPERATURE AND SHOULD STAY AWAY TO AVOID BURNS OR CLOTHING IGNITION.

**WARNING: IMPROPER INSTALLATION, ADJUSTMENT, ALTERATION, SERVICE OR MAINTENANCE CAN CAUSE INJURY OR PROPERTY DAMAGE. REFER TO MANUAL FOR ASSISTANCE OR ADDITIONAL INFORMATION CONSULT A QUALIFIED INSTALLER, SERVICE AGENCY OR THE GAS SUPPLIER.**

**IMPORTANT:** Read all instructions carefully before starting installation. Failure to follow these installation instructions may result in a possible fire hazard and will void the warranty.

Save this Manual for future reference.

Copyright 1994, Heat-N-Glo Fireplace Products, Inc., 6665 W. Hwy 13, Savage, MN 55378 Printed in U.S.A.

# TABLE OF CONTENTS

1.0 Introduction .....	4
2.0 Installation Precautions .....	4
3.0 Installation Instructions .....	7
3.1 Installing the Vent System .....	7
3.1.1 Positioning the Fireplace .....	7
3.1.2 Connecting the Vent System Components .....	8
3.2 Permanently Anchoring the Fireplace .....	8
3.3 Connecting the Gas Line .....	10
3.4 Electrical Wiring for Optional Kits .....	11
3.4.1 Installing Electrical Service to the Junction Box .....	11
3.5 Wall Switch Wiring .....	12
3.6 Installing Optional Outside Make-up Air .....	13
3.7 Finishing .....	14
3.8 Hearth Extension .....	14
4.0 Electrical Safety System .....	15
5.0 Operating Guidelines and Maintenance Instructions .....	16
5.1 Glass Door Removal .....	16
5.2 Cleaning Burner and Pilot .....	16
5.3 Log Replacement .....	17
5.4 Glass Door Replacement .....	17
6.0 Safety Information .....	18
7.0 Lighting Instructions .....	19
LPG (Propane) Information .....	20
8.0 High Altitude Installation .....	20
9.0 Trouble Shooting .....	21-24
10.0 Replacement Parts .....	25-28
11.0 Model 6000TV-HSI Information .....	29-31
Warranty Information .....	32

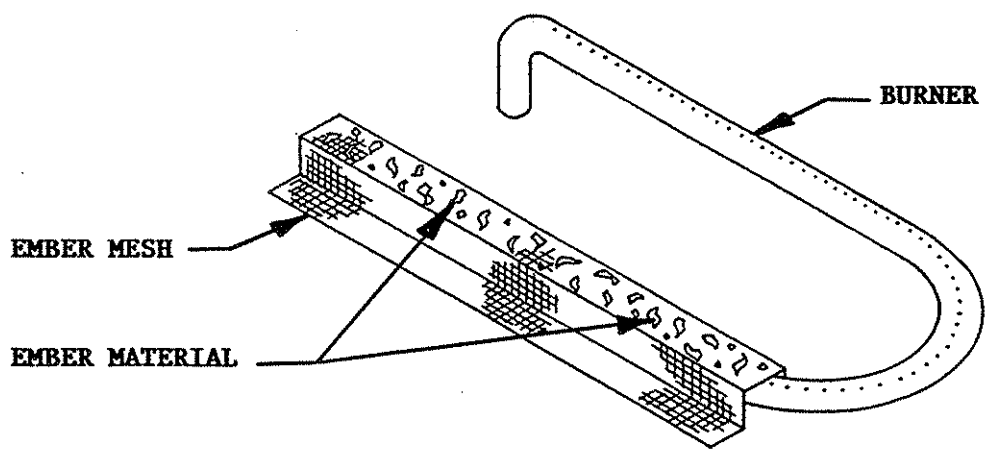
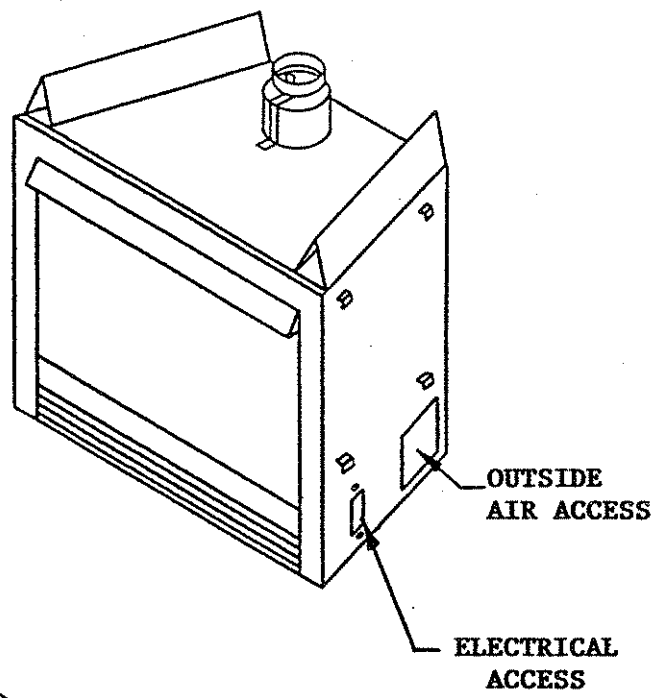
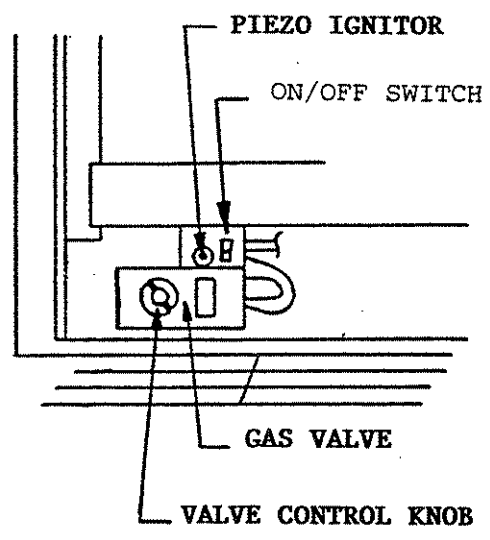
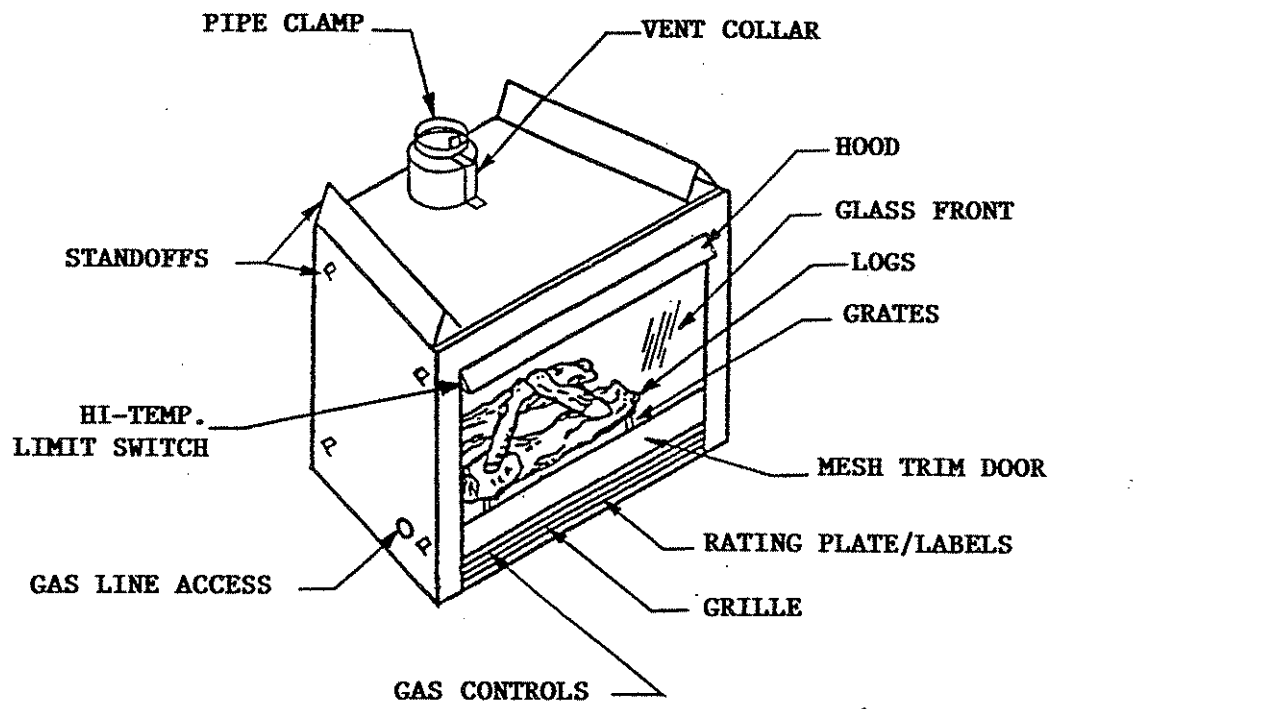


FIGURE 1

## 1.0 INTRODUCTION

Model 6000TV is a top-venting Vented Decorative Gas Appliance. It is designed to operate by drawing combustion air from inside the living space. Make-up air can be drawn from outside the building with the use of an optional outside air kit Model AK-225. Exhaust gases are expelled to the outside of the building by using 5-inch B-type, listed single wall rigid, or listed single wall flexible gas vent attached to the top flue vent collar of the unit. Model 6000TV **MUST** use a 5-inch B-type vent system within combustible construction; or listed single wall rigid or flexible gas vent within non-combustible construction. **NO** other vent systems may be used. See the venting section 3.1 of this manual.

### **WARNING: THIS UNIT IS NOT FOR USE WITH SOLID FUEL.**

The control system for Model 6000TV is a millivolt type. It consists of a gas control valve/regulator, a standing pilot assembly, a thermopile, a piezo ignitor, an ON/OFF rocker switch, a high temperature limit switch, and a safety microswitch for the outside air damper. The controls are located in the lower compartment behind the lower hinged grille of the fireplace. Access to this compartment is gained by pulling the top of the grille forward and down.

### **WARNING: DO NOT CONNECT 110-120 VAC TO THE GAS CONTROL VALVE OR CONTROL WIRING SYSTEM OF THIS UNIT.**

Installation must conform to local codes. In the absence of local codes installation must conform with the current National Fuel Gas Code ANSI Z223.1 (in the United States) or with the current installation code CAN/CGA B-149 (in Canada). The appliance when installed must be electrically grounded in accordance with local codes; in absence of local codes, with the current National Electric Code ANSI/NFPA NO. 70 (in The United States) or with the current CSA C 22.1 Canadian Electric Code (in Canada).

**NOTE: INSTALLATION AND REPAIR SHOULD BE ONE BY A QUALIFIED SERVICE PERSON. THE APPLIANCE SHOULD BE INSPECTED BEFORE USE AND AT LEAST ANNUALLY BY A PROFESSIONAL SERVICE PERSON. MORE FREQUENT CLEANING MAY BE REQUIRED DUE TO EXCESSIVE LINT FROM CARPETING, BEDDING MATERIAL ETC. IT IS IMPERATIVE THAT THE UNITS CONTROL COMPARTMENT, BURNERS, AND CIRCULATING AIR PASSAGE- WAYS BE KEPT CLEAN TO PROVIDE FOR ADEQUATE COMBUSTION AND VENTILATION AIR.**

Provide adequate clearances around air openings into the combustion chamber and allow accessibility clearance for servicing and proper operation. **NEVER OBSTRUCT THE FRONT OPENINGS OF THE FIREPLACE OR THE VENT CAP ON THE EXTERIOR OF THE HOUSE.**

Minimum clearances in inches to combustibles are: Sides 1/2, Floor 0, Back 1/2, Top 3 (top, back, and side clearances are defined by the standoffs). Minimum distance to the side wall (perpendicular to the front) is 1 inch. Minimum distance from the ceiling to the top front of the unit is 31 inches. The rear of the appliance may be recessed a **MAXIMUM** of 21 1/2 inches into combustible construction.

Minimum inlet gas supply pressure for purpose of input adjustment is 4.5 inches water column natural gas and 11.0 inches water column propane. Maximum inlet gas supply pressures is 10.5 inches w.c. natural gas and 13.0 inches w.c. propane. For the purpose of input adjustment, inlet gas supply pressure should be 7.0 inches w.c. natural gas and 11.0 inches w.c. propane and manifold pressure should be set at 3.5 inches w.c. and 10.0 inches w.c. respectively.

A 1/8 inch N.P.T. plugged tapping is provided on the outlet side of the gas control for a test gauge connection to measure the manifold pressure. Provisions must be made to attach a test gauge to a 1/8 - inch NPT plugged tapping immediately upstream of the gas supply connection to the appliance to measure inlet pressure.

The appliance and its individual shut off valve must be disconnected from the gas supply piping system during any pressure testing of the system at test pressures in excess of 1/2 psig (3.45 kPa).

This appliance must be isolated from the gas supply piping system by closing its individual manual shut off valve during any pressure testing of the gas supply piping system at test pressures equal to or less than 1/2 psig (3.45 kPa).

## 2.0 INSTALLATION PRECAUTIONS

This Top Vent Gas Fireplace and its components are tested and safe when installed in accordance with this Installation Manual. Report to your Dealer any parts damaged in shipment, specifically check glass condition. The gas logs are shipped in a separate package. Read all instructions before starting installation and follow these instructions carefully during installation to insure maximum benefit and safety. Failure to follow them will void your warranty and may present a fire hazard.

The Heat-N-Glo Fireplace Products, Inc. warranty will be voided by, and Heat-N-Glo Fireplace Products, Inc. disclaims any responsibility for, the following actions:

- Installation of any damaged fireplace or vent system component
- Modification of the fireplace or direct vent system installation other than as instructed by Heat-N-Glo Fireplace Products, Inc.
- Improper positioning of the gas logs or the glass door
- Installation and/or use of any component part not manufactured or approved by Heat-N-Glo Fireplace Products, Inc., notwithstanding any independent testing laboratory or other party approval of such component part or accessory.

ANY SUCH ACTION MAY POSSIBLY CAUSE A FIRE HAZARD.

Consult your local building codes.

THIS FIREPLACE MUST BE TOP VENTED WITH 5 INCH B-TYPE VENT PIPE AND MUST NEVER BE ATTACHED TO A CHIMNEY SERVING A SOLID FUEL BURNING APPLIANCE.

Two separate bags of ember materials are shipped with this unit. The bag labeled Golden Ember (GE-93) is flame colorant material. The bag labeled Glowing Ember (050-721) is standard glowing ember material.

**INITIAL SET-UP:** Alternately place a single layer of dime size and shape pieces of Golden Ember (GE-93) and Glowing Ember (050-721) onto the top of the lower burner ember screen. See Figure 1.

Save the remaining ember materials for use during fireplace servicing.

**FIREPLACE SERVICING:** Frequency of fireplace servicing will depend upon use and type of installation.

Carefully brush away or vacuum up any loose materials on the lower burner ember screen. Alternately place dime size and shape pieces of Golden Ember (GE-93) flame colorant replacement material and Glowing Ember (050-721) standard ember material onto any open areas on top of the ember screen.

Save remaining ember materials and repeat this procedure at the next fireplace servicing.

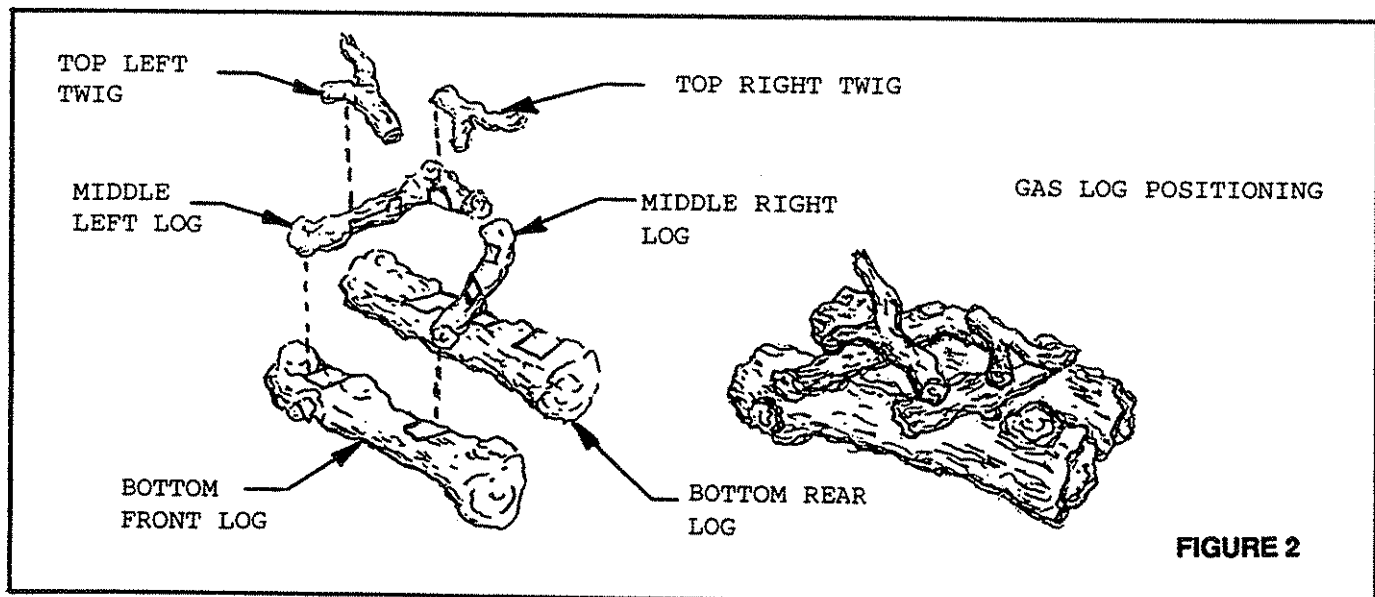
**NOTE:** It may be necessary to clean the glass door after replenishing the flame colorant material. Film deposits on the inside of the glass door should be cleaned off using a household glass cleaner. DO NOT handle or attempt to clean the glass when it is HOT.

To install the logs, remove the mesh trim and glass door assemblies. Place the bottom front and rear logs on the fireplace grates - positioning them by using the predrilled holes in the logs and the pegs on the grates. Position the middle left and right logs in the flat cut-out areas on the top of the lower logs. Finally, place the top left and right logs in the cut-out areas on the top of the middle logs. See Figure 2 for proper log positioning.

**WARNING:** THE GAS LOGS MUST BE PROPERLY POSITIONED, WITH NO FLAME IMPINGEMENT ON THEM, OR THE FIREPLACE WILL NOT FUNCTION PROPERLY AND MAY RESULT IN SOOT ACCUMULATION ON THE INSIDE OF THE FIREBOX. IF THE BURNER FLAME IMPINGES ON THE LOGS, REPOSITION THEM SO THAT NO IMPINGEMENT OCCURS.

Replace the glass door and mesh trim assemblies.

**WARNING:** THE GLASS FRONT ASSEMBLY MUST BE IN PLACE AND THE FIXED MESH TRIM ASSEMBLY MUST BE IN PLACE ON THE FIREPLACE BEFORE THE UNIT CAN BE PLACED INTO SAFE OPERATION.



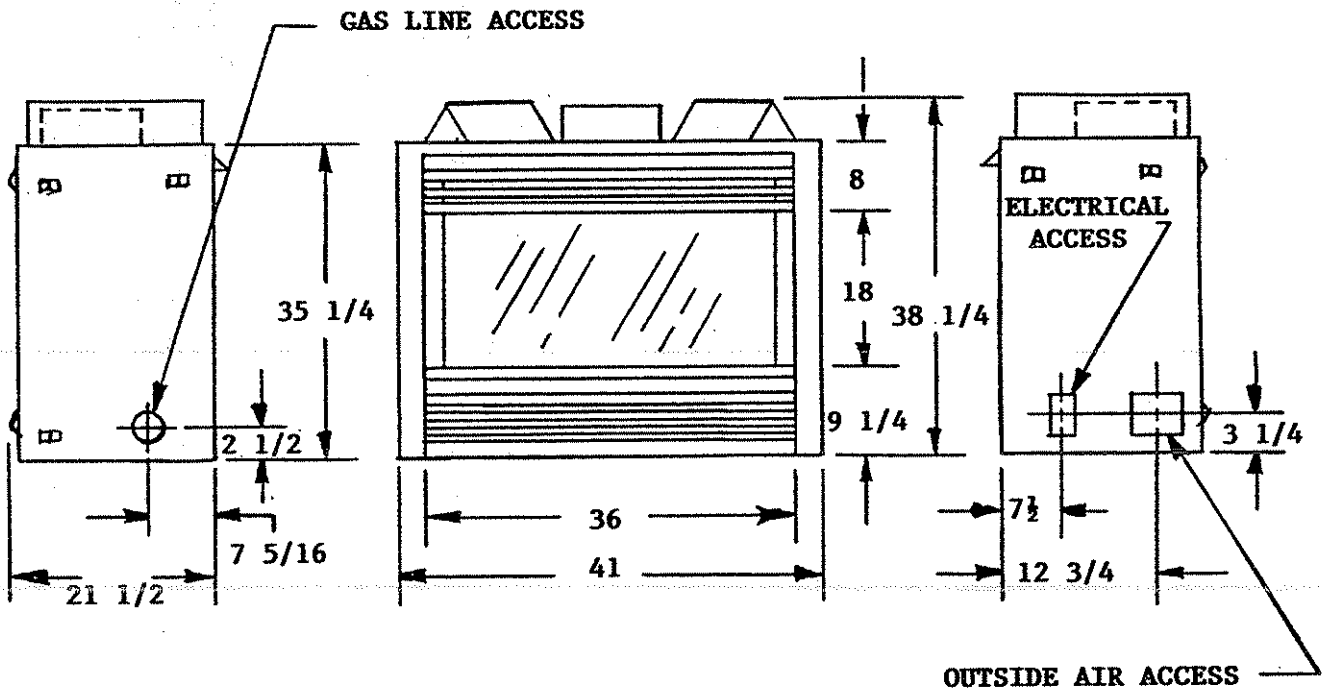
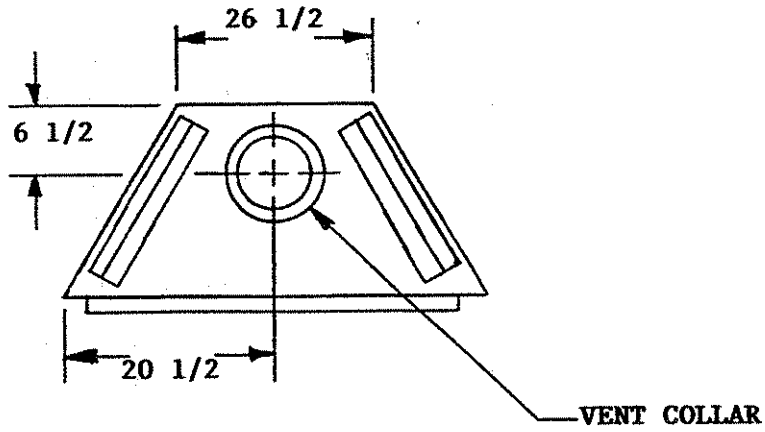


FIGURE 3

THE UNIT WILL NOT OPERATE UNLESS THE INLET AIR DAMPER IS LOCKED IN THE OPEN POSITION.

Prior to first firing, read Operations Instructions section of this manual.

Do not use this appliance if any part has been under water. Immediately call a qualified service technician to inspect the fireplace and to replace any part of the control system and any gas control which has been under water.

Due to high temperature, the appliance should be located out of traffic areas and away from furniture and draperies. Clothing or flammable material should not be placed on or near the appliance.

### 3.0 INSTALLATION INSTRUCTIONS

In planning the installation for the fireplace it is necessary to determine where the unit is to be installed, the routing of the B-type vent system, and whether optional accessories (fan, remote control, wall switch and/or outside air kit) are desired. Gas supply piping should also be planned.

Model 6000TV (natural gas and propane) can be installed in a bedroom (in the United States) which has a total volume of unconfined space appropriate to the particular installation. Refer to the National Fuel Gas Code ANSI Z223.1/NFPA 54 - (current edition) The Uniform Mechanical Code - (current edition), and Local Building Officials for the options allowed in obtaining an effective bedroom volume of unconfined space.

Model 6000TV (Natural Gas and propane) can be installed in a bedroom (in Canada) if a thermostat (Model WH-STAT) is installed with the unit. Consult local code authorities. Detailed installation instructions for Model WH-STAT are included with the kit.

The fireplace can be mounted on any of the following surfaces:

1. A flat combustible surface.
2. A raised wooden platform.
3. Four (4) corner supports.

(Example: Four (4) concrete masonry blocks) These supports must be positioned so they contact all four (4) dimples and perimeter edges on the bottom of the unit.

If the fireplace is installed directly on carpeting, tile, or other combustible material other than wood flooring, the appliance shall be installed on a metal or wood panel extending the full width and depth of the unit.

Fireplace framing can be built before or after the fireplace is set in place. Framing should be positioned to accommodate wall covering and fireplace facing material. The fireplace framing should be constructed of 2 x 4 lumber or heavier. The framing headers may rest on the fireplace standoffs. Refer to Figure 3 and Figure 4 for fireplace and framing dimensions. **CAUTION:** Measure fireplace dimensions, and verify framing methods and wall covering details before framing construction begins.

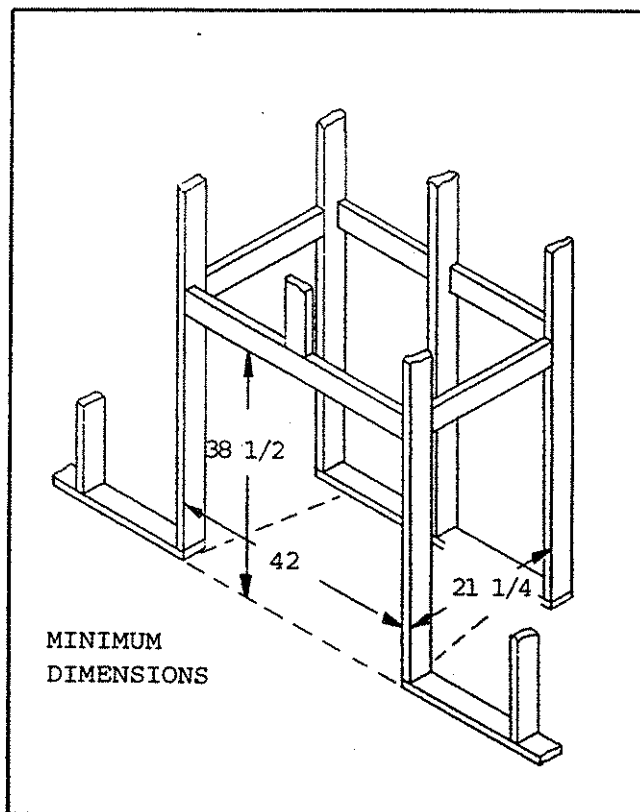


FIGURE 4

### 3.1 INSTALLING THE B-TYPE VENT SYSTEM

#### 3.1.1 POSITIONING THE FIREPLACE

Determine the exact position of the fireplace so that the vent run can be planned. Figure 5 shows possible locations for the fireplace; inside of a room, flush mount in a chase, or installed in a corner. Using a level, make sure the fireplace is properly positioned and squared. The 1/2 - inch stand-offs on the back of the fireplace may be positioned directly against a combustible wall.



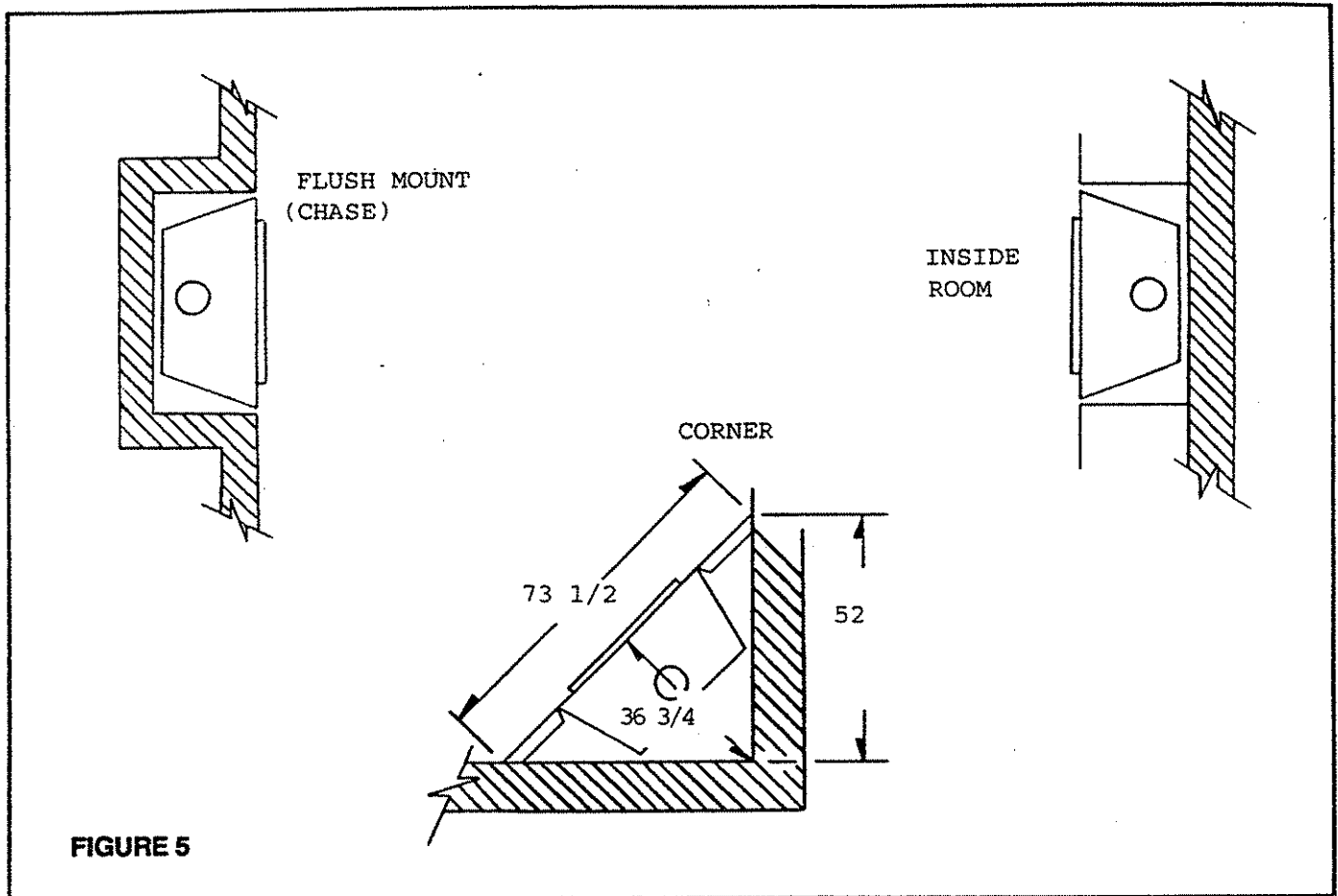


FIGURE 5

### 3.1.2 CONNECTING THE VENT SYSTEM COMPONENTS

Connect a 5 inch B-Type vent component (1 inch clearance to combustibles) to the flue outlet collar and secure it to the fireplace with the pipe clamp. See Figure 6.

Continue to add vent components, per vent Manufacturer's Installation Instructions, until the vent run is completed.

Listed single-wall flexible or single-wall rigid gas vent pipe may be attached to this unit if, and only if, the vent run is completely inside non-combustible construction such as a masonry chimney. The flexible or rigid vent must terminate outside of the building, in a vertical position, with a termination cap listed for use with the vent pipe. See Figure 7.

**NOTE: FOR BEDROOM INSTALLATION IN CANADA**

Model 6000TV MUST NOT be vented into a Type-B Vent System installed exterior to a building. The part of the vent system above the roof line can be exterior to the building.

**NOTE: THE VENT TERMINATION MUST BE IN A VERTICAL POSITION**

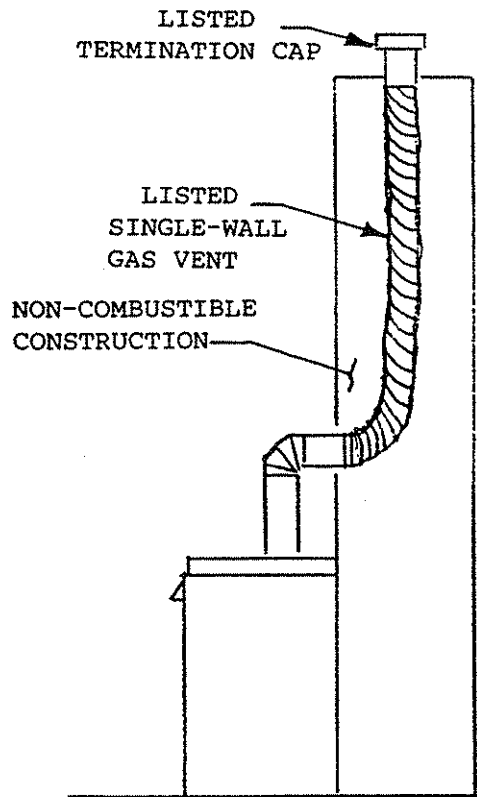
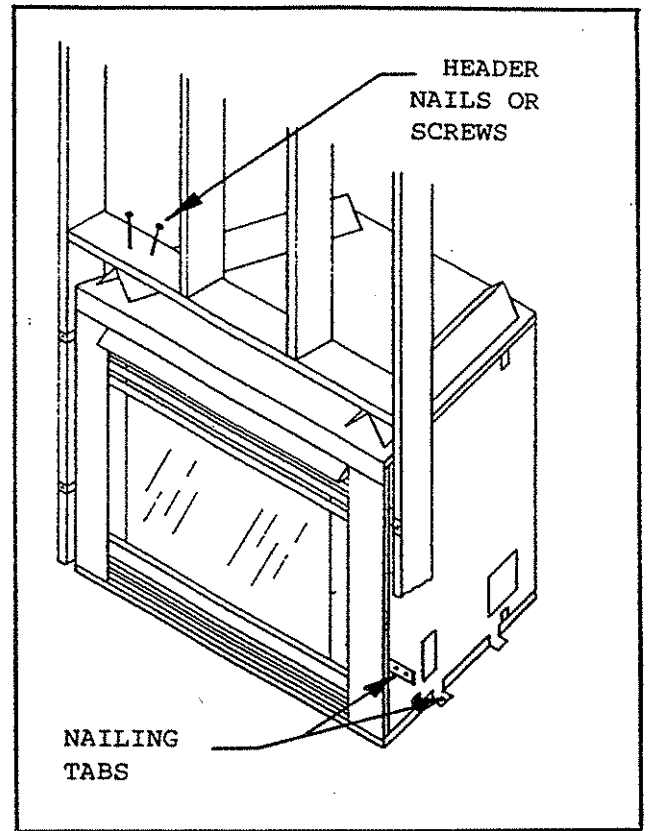
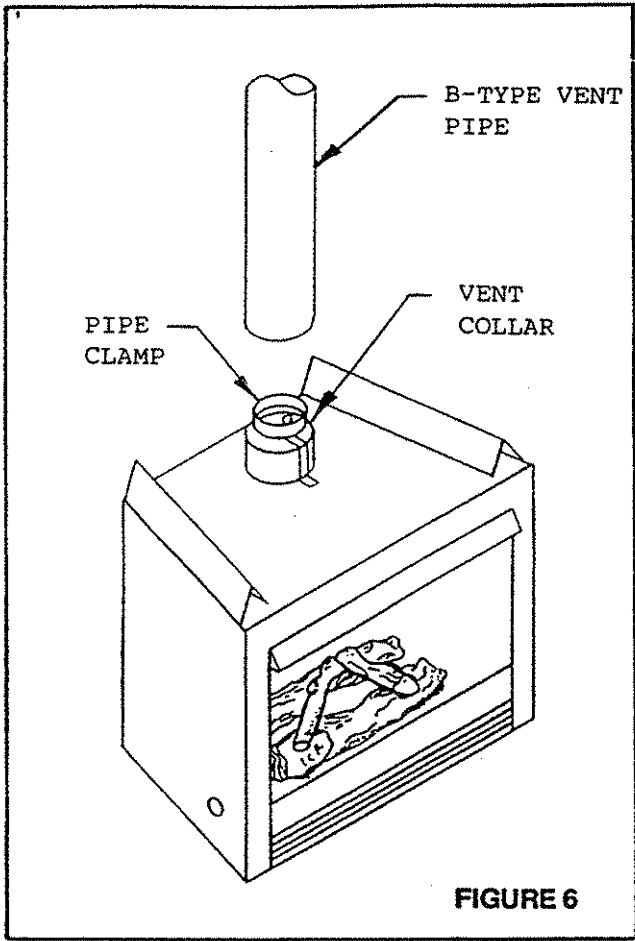
Visual inspection of the vent connection to the top flue collar of the fireplace, is possible by looking inside the top of the unit, behind the decorative hood. Remove the hood by pulling it straight out from the unit. Make certain that the pilot and main burner are OFF and the hood is cool before performing inspection.

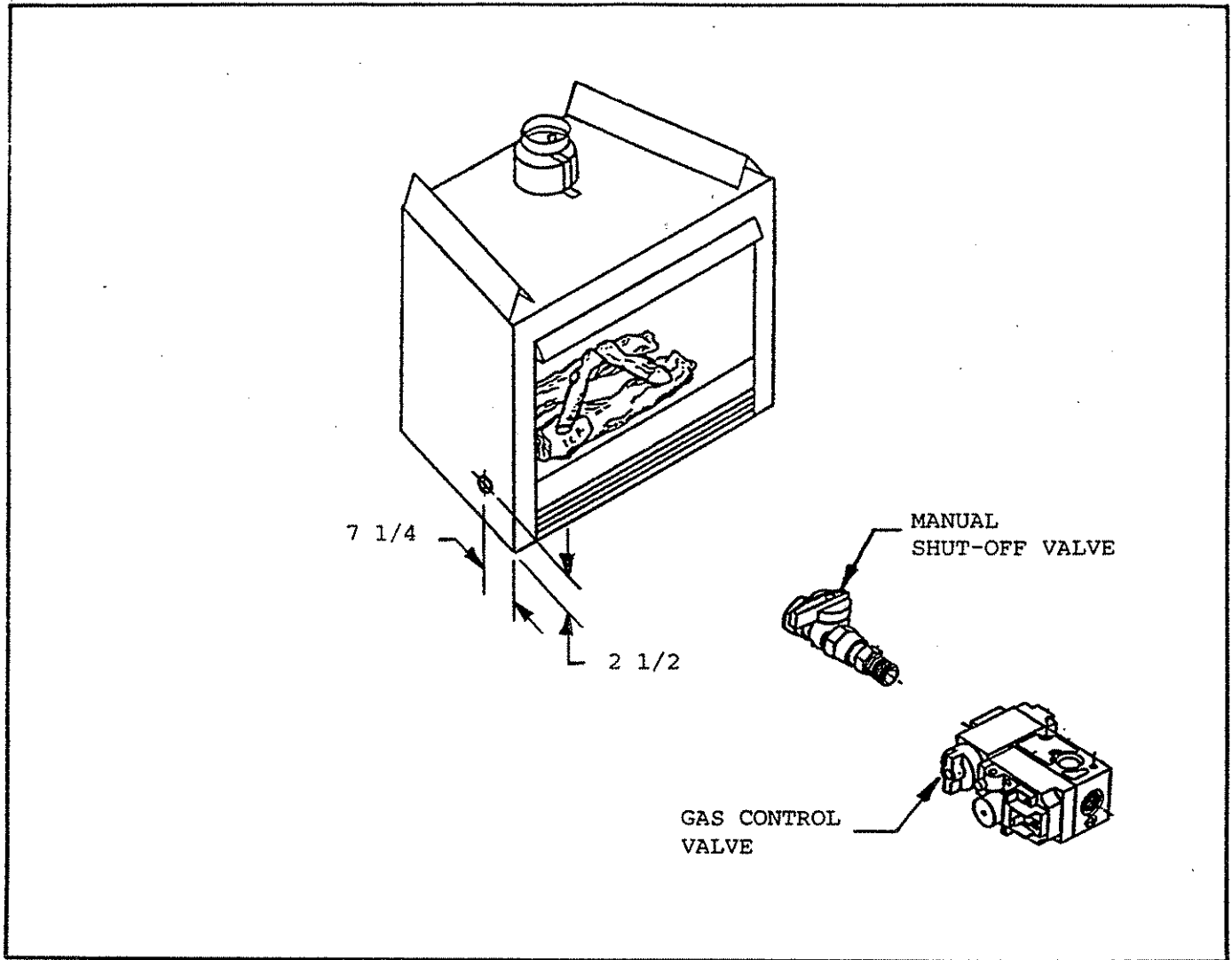
Consult Local Building Code Officials and Codes for proper vent system installations.

**WARNING: THIS GAS FIREPLACE MUST NEVER BE VENTED BY CONNECTING TO A CHIMNEY FLUE SERVING A SEPARATE SOLID FUEL BURNING APPLIANCE.**

### 3.2 PERMANENTLY ANCHORING THE FIREPLACE

To prevent the unit from shifting, the fireplace must be anchored. Two methods are possible: Use the nailing tabs as shown in Figure 8, or use the standoffs on the top of the fireplace. A nail may be driven through or screw may be inserted through the framing header into the top standoffs as shown in Figure 8.





**FIGURE 9**

### 3.3 CONNECTING THE GAS LINE

The gas fireplace is designed accept a 1/2 inch gas line for a listed gas appliance. Have the gas line installed by a qualified service person in accordance with all building codes. Consult local building codes to properly size the gas supply line leading to the 1/2 inch hook-up at the unit.

A listed 1/2-inch manual shut-off valve and a swivel nut fitting are connected to the 3/8-inch inlet of the control valve. A 1/8-inch N.P.T. plugged tapping, accessible for test gauge connection, should be provided for in the gas supply line leading to the unit's shut-off valve.

Locate the gas line access hole in the left outer casing of the fireplace (Figure 9). Next, insert the gas supply

line through the gas line hole from the outside of the fireplace and connect it to the gas valve. Support the control when attaching the pipe so that the pilot line is not bent or torn. After the gas pipe installation complete, check carefully all gas connections for leaks with a soap solution. **DO NOT USE AN OPEN FLAME.** Use insulation to repack the space around the pipe. This should be inserted from the outside of the fireplace and packed tightly to totally seal between the pipe and the outer casing.

**NOTE: THE GAS PIPE SHOULD NOT COME IN CONTACT WITH ANY WOOD STRUCTURES UNTIL IT HAS REACHED A POINT AT LEAST 1 INCH AWAY FROM THE FIREPLACE SIDE.**

**NOTE: THE GAS SUPPLY LINE SHOULD BE PURGED OF ANY TRAPPED AIR PRIOR TO THE FIRST FIRING OF THE UNIT.**

### 3.4 ELECTRICAL WIRING FOR OPTIONAL KITS

Model 6000TV Gas Fireplaces have factory installed electrical junction boxes which are used ONLY for wiring in optional kits.

An optional blower kit (GFK-160A) and hand held remote control kit (RCH-09A) are available. Use of these options requires that the junction box (factory installed) be connected to 110 VAC service before permanently enclosing the fireplace. The access hole for connecting the 110 VAC service wires is found on the lower right exterior side of the unit. See Figure 10.

#### 3.4.1 INSTALLING ELECTRICAL SERVICE TO THE JUNCTION BOX

**WARNING: TURN ELECTRICAL POWER OFF AT THE CIRCUIT BREAKER BEFORE BEGINNING THIS INSTALLATION.**

1. Remove the electrical cover plate from the lower side of the fireplace. Remove the knock-out from the plate and attach the Romex clamp (screws to the outside).

2. Feed the electrical service wires through the Romex clamp and secure the wires to the clamp.

3. Using the wire nuts provided, connect the service wires to the Junction Box. The black wire to the black service wire, the white wire to the white service wire, and the service ground wire to the ground stud of the Junction box.

4. Re-attach the cover plate to the outside of the fireplace.

Detailed instructions for the optional blower and the optional remote kits are included with each kit.

**WARNING: DO NOT CONNECT 110-120 VAC TO THE GAS CONTROL VALVE OR CONTROL WIRING SYSTEM OF THIS UNIT.**

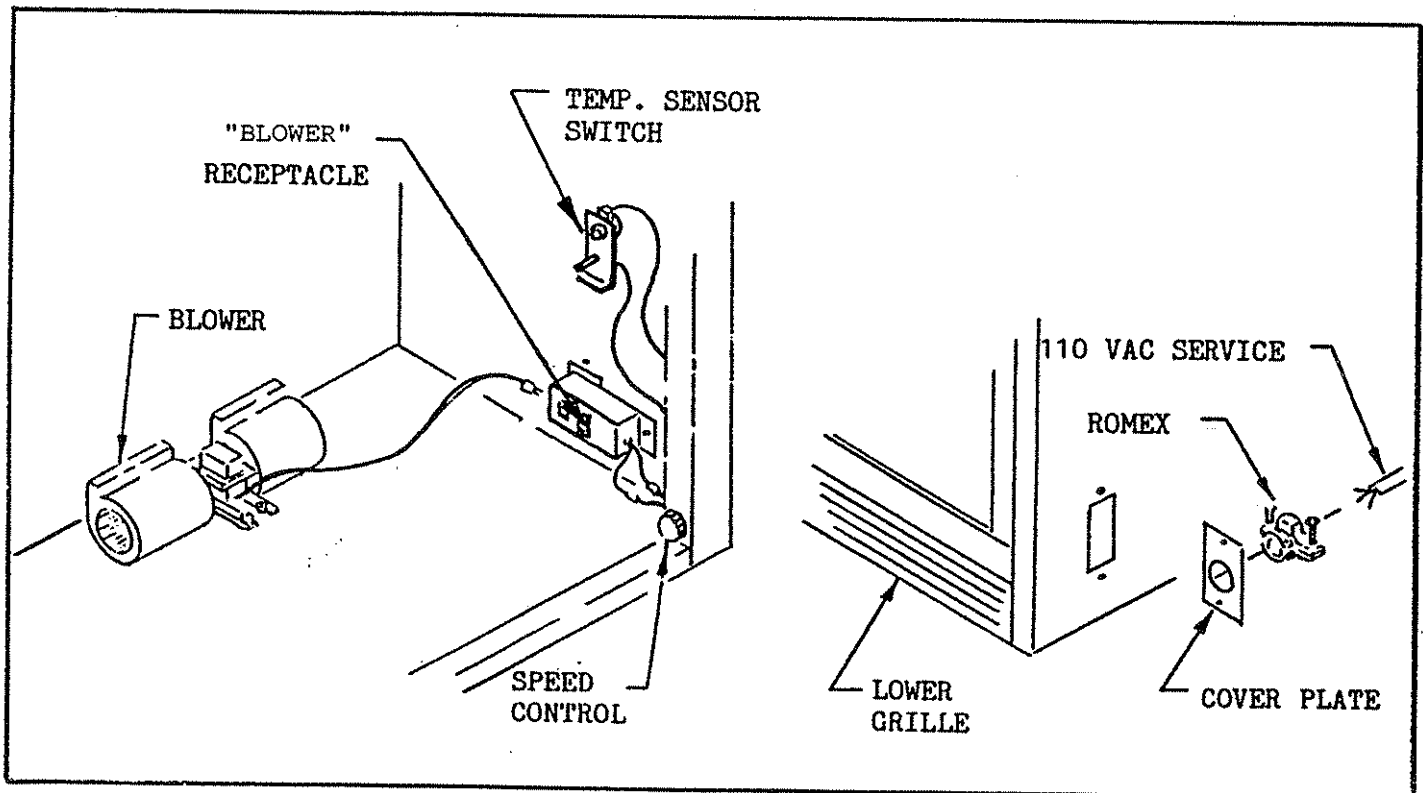
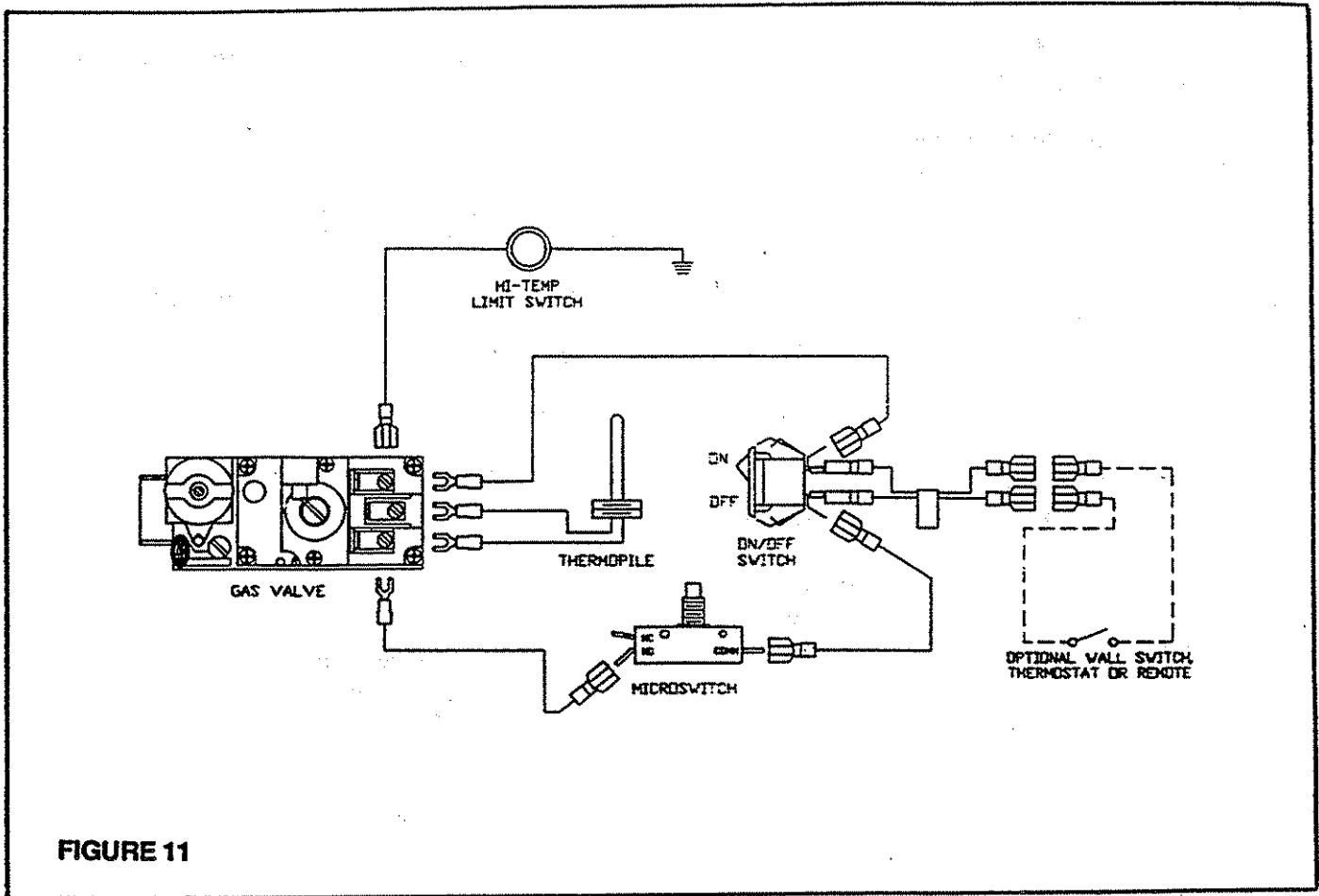


FIGURE 10



**FIGURE 11**

### 3.5 WALL SWITCH WIRING

A Wall Switch Kit (WSK-21) for turning the fireplace ON/OFF is also available. This kit does NOT require 110 VAC. Connect the low voltage wires from the wall switch to the red and brown pigtail wires from the ON/OFF rocker switch. These wires are labeled "FOR REMOTE OR WALL SWITCH ONLY". Turn the unit's ON/OFF rocker switch to the "OFF" position to use the wall switch. See Figure 11 - Unit Wiring Diagram.

**NOTE:** POSITION THE WALL SWITCH SO THAT A MAXIMUM OF 25 FEET OF WIRING FROM THE SWITCH TO THE FIREPLACE IS USED.

**WARNING: DO NOT CONNECT 110-120 VAC TO THE GAS CONTROL VALVE OR CONTROL WIRING SYSTEM OF THIS UNIT.**

### 3.6 INSTALLING OPTIONAL OUTSIDE MAKE-UP AIR

The 6000TV unit is equipped to accept outside air. By using outside make-up air, the amount of room air that will be used for combustion will be reduced. It is recommended that the outside air system be used whenever practical.

**CAUTION:** A flexible air duct is installed on the underside of the firechamber base (behind the lower front grille.) The open end of this duct is positioned to face forward - immediately behind the front grille. If an Outside Air Kit (AK-225) is **NOT** installed to the fireplace, this duct **MUST** remain in its forward facing position. This is particularly critical in fireplaces equipped with Model GFK-160A Blowers.

If an Outside Air kit (AK-225) **IS** installed to the fireplace, the open end of the flexible duct **MUST** be repositioned and attached to the collar found on the side of the unit (behind the lower front grille). Use a plastic tie, strap or a sheetmetal screw to secure the duct to the side collar. See Figure 12.

Detailed installation instructions for Model AK-225 Outside Air Kit are found in the kit.

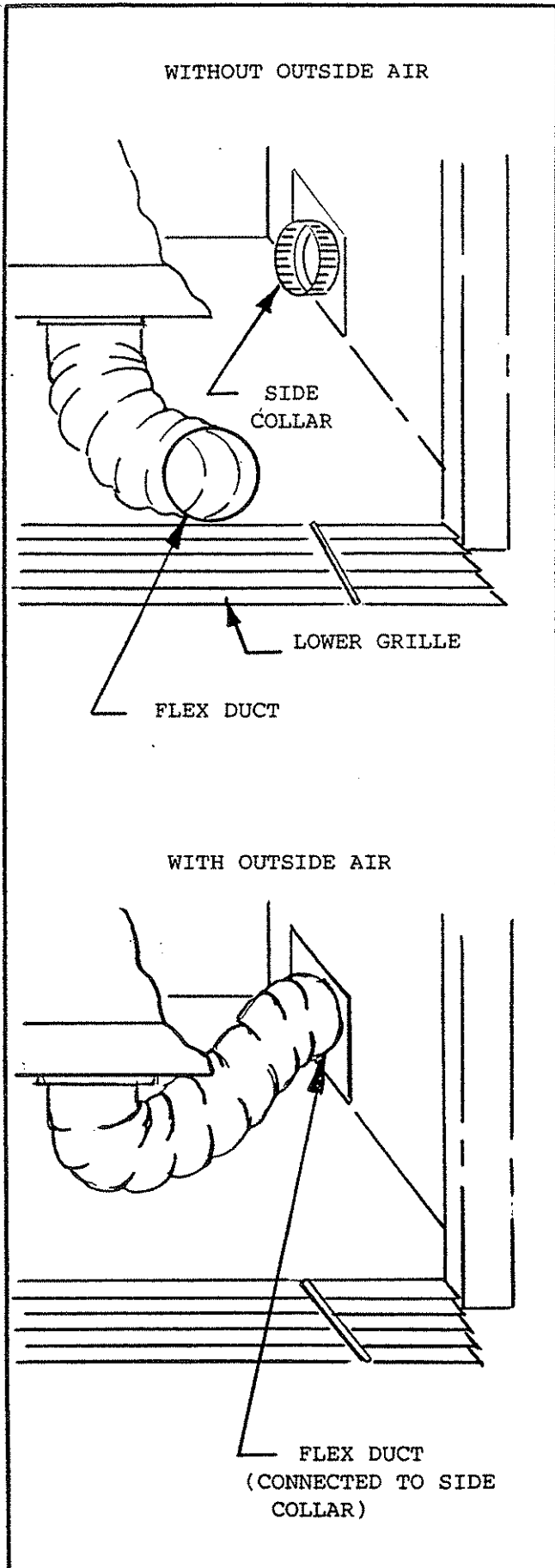


FIGURE 12

### 3.7 FINISHING

Finish the wall with the material of your choice. Figure 13 shows the minimum vertical and corresponding maximum horizontal dimensions of mantles or other combustible projections above the top front edge of the fireplace.

When finishing the fireplace NEVER OBSTRUCT OR MODIFY THE AIR INLET/OUTLET GRILLES IN ANY MANNER.

**CAUTION:** ALL JOINTS BETWEEN THE FINISHED WALL AND THE FIREPLACE SURROUND (TOP AND SIDES) CAN ONLY BE SEALED WITH A 300°F (149°C) MINIMUM SEALANT MATERIAL. ONLY NON-COMBUSTIBLE MATERIAL, USING A 300°F (149°C) MINIMUM ADHESIVE IF NEEDED, CAN BE APPLIED AS FACING TO THE FIREPLACE SURROUND. SEE FIGURE 14.

**WARNING:** THE HEAT DEFLECTOR HOOD MUST BE INSTALLED IN ALL APPLICATIONS.

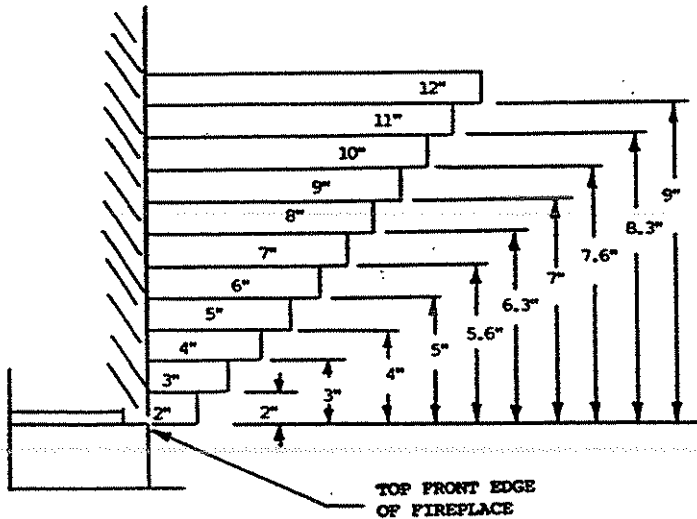


FIGURE 13

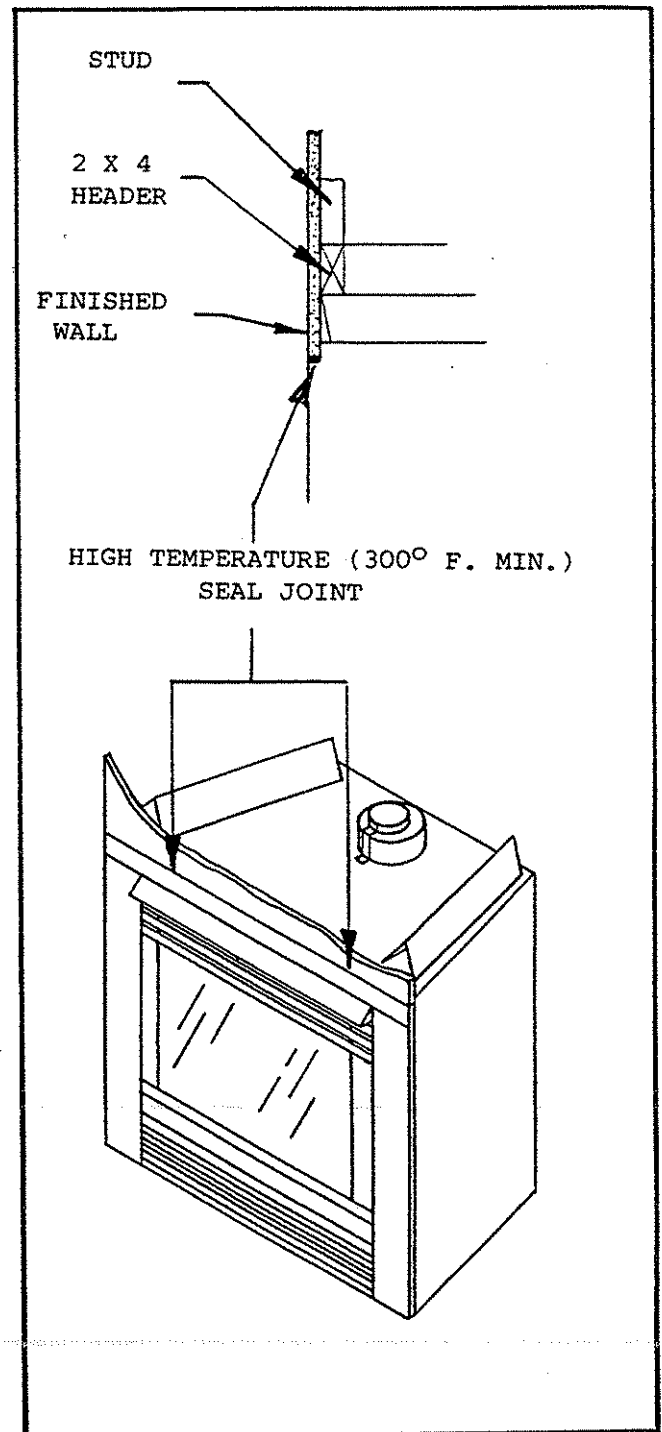


FIGURE 14

### 3.8 HEARTH EXTENSION

While a hearth extension may be desirable for aesthetic reasons, it is not required for decorative gas appliances per ANSI or CAN/CGA Testing Standards.

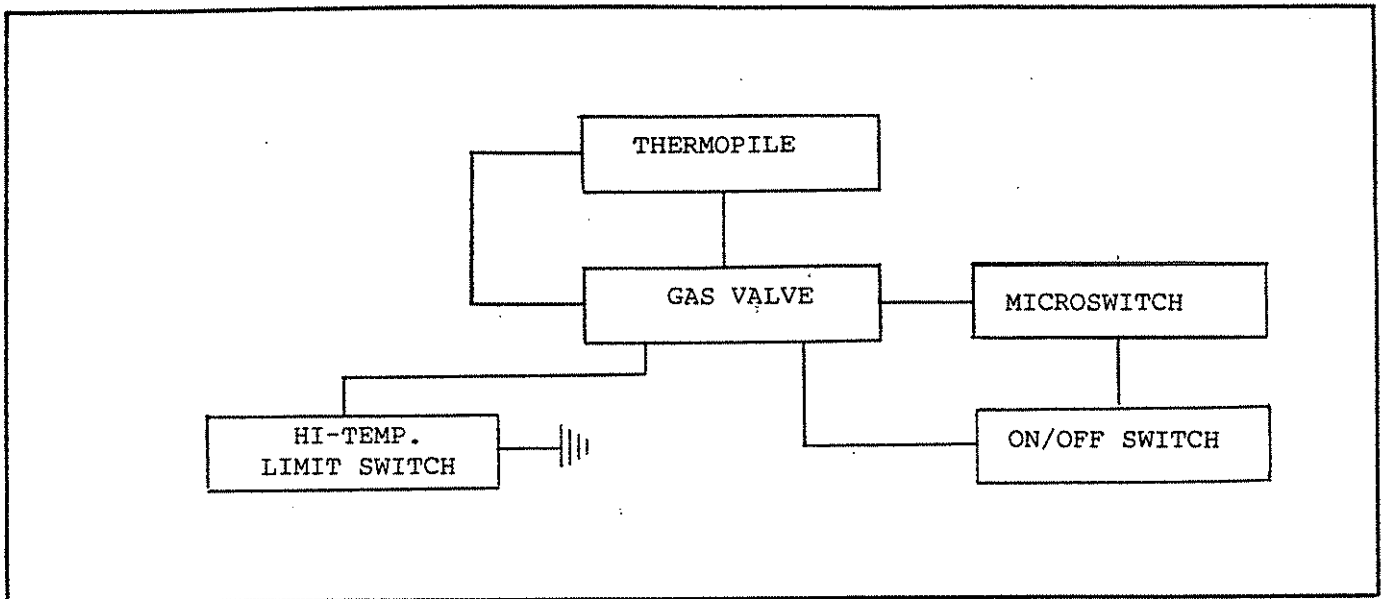


FIGURE 15

#### 4.0 ELECTRICAL SAFETY SYSTEM

**WARNING: DO NOT CONNECT 110-120 VAC CURRENT TO THE GAS CONTROL VALVE OR CONTROL WIRING SYSTEM OF THIS UNIT.**

The gas control system is wired so the thermopile, when heated with the pilot light, will produce approximately 350 to 500 millivolts. This activates the gas control valve. (Figure 15). The unit is equipped with an ON/OFF rocker switch and an ON/OFF microswitch which is activated by opening and closing the combustion air inlet damper. Both switches are behind the front grille (Figure 16).

A high temperature limit switch is wired to ground (see wiring diagram-Figure 11) and will shut-off the pilot and main burner should a high surface temperature condition occur. The pilot and main burner must be re-lit when the fireplace cools.

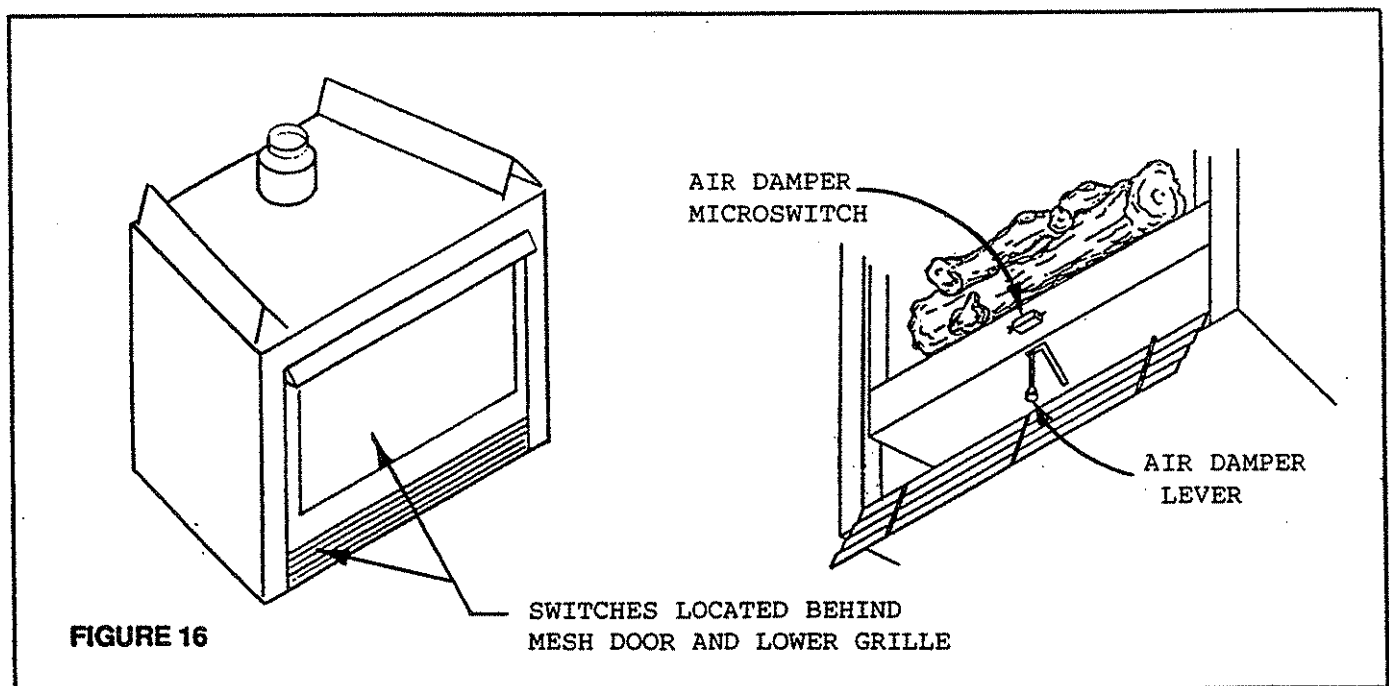


FIGURE 16

SWITCHES LOCATED BEHIND MESH DOOR AND LOWER GRILLE



## 5.0 OPERATING GUIDELINES AND MAINTENANCE INSTRUCTIONS

Upon completing the gas line connection, a small amount of air will be in the lines. When first lighting the pilot light, it will take a few minutes for the lines to purge themselves of this air. Once the purging is complete, the pilot and burner will light and operate as indicated in the instruction manual. Subsequent lighting of the appliance will not require such purging.

**CAUTION:** DURING THE INITIAL PURGING AND SUBSEQUENT LIGHTING, NEVER ALLOW THE GAS VALVE CONTROL KNOB TO REMAIN DEPRESSED IN THE "PILOT" POSITION WITH OUT PUSHING THE RED IGNITOR BUTTON AT LEAST ONCE EVERY SECOND.

When lit for the first time, the appliance will emit a slight odor for an hour or two. This is due to paint and lubricants used in the manufacturing process. Additionally, for the first few minutes after each lighting, vapor may condense and fog the glass and the flames may be blue. After a few minutes this moisture will disappear and within 15-30 minutes the flames should become yellow.

The fireplace may produce a noise, caused from metal expansion and contraction as it heats up and cools down. This noise is similar to one that a furnace or heat duct may produce and does not affect the operation or longevity of the fireplace.

Keep the control compartment, logs and burner area surrounding the logs clean by vacuuming or brushing at least twice a year.

**CAUTION:** THE LOGS CAN GET VERY HOT-HANDLE ONLY WHEN COOL.

Always turn off gas to the pilot before cleaning. For relighting, refer to lighting instructions located behind the lower front grill assembly.

The appliance and venting system should be inspected before initial use and at least annually by a qualified field service person.

Always keep the appliance area clear and free from combustible materials, gasoline and other flammable vapors and liquids.

Never obstruct the flow of combustion and ventilation air. Keep the front of the appliance clear of all obstacles and materials.

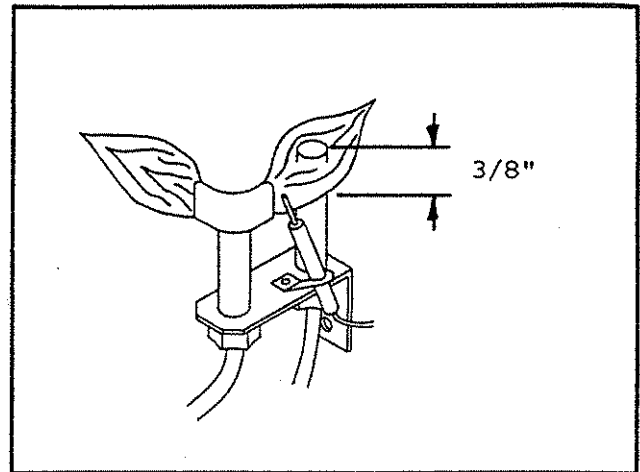


FIGURE 17

To obtain proper operation, it is imperative that the pilot and main burner flame characteristics are steady, not lifting or floating. Typically the top 3/8 inch at the pilot generator should be engulfed in the pilot flame. (Figure 17).

**WARNING:** CHILDREN AND ADULTS SHOULD BE ALERTED TO THE HAZARDS OF HIGH SURFACE TEMPERATURE AND SHOULD STAY AWAY TO AVOID BURNS OR CLOTHING IGNITION. YOUNG CHILDREN SHOULD BE CAREFULLY SUPERVISED WHEN THEY ARE IN THE SAME ROOM AS THE APPLIANCE.

**IMPORTANT:** TURN OFF GAS BEFORE SERVICING APPLIANCE. IT IS RECOMMENDED THAT A COMPETENT SERVICE TECHNICIAN PERFORM THESE CHECKUPS AT THE BEGINNING OF EACH HEATING SEASON.

Inspect the external vent cap on a regular basis to make sure that no debris is interfering with the airflow.

### 5.1 GLASS DOOR REMOVAL

1. To remove the glass door, the rectangular mesh panel front must be moved first. To do this, lift and pull from the top above the glass door.
2. Noting carefully how the brackets fit on the glass, remove wing nuts and brackets from the glass door.
3. Glass Door is now ready for removal.

### 5.2 CLEANING BURNER AND PILOT

In order to properly clean the burner and pilot assembly, turn off the gas to the unit and remove the logs exposing the burner and pilot assembly.

Clean all foreign materials from top of burner. Check to make sure that burner orifice is clean.

Visually inspect the pilot periodically. Brush or blow away any dust or linen accumulations. If the pilot orifice is plugged, disassembly may be required to remove any foreign material from orifice or tubing. When the appliance is put back in service check burner flame patterns with Figure 18.

### 5.3 LOG REPLACEMENT

1. Remove the mesh trim and glass door assemblies. (See Section 5.1)

2. The Log(s) can now be removed as required. Replace the log(s) as previously shown in Figure 2, Gas Log Positioning. Replace glass door and mesh trim.

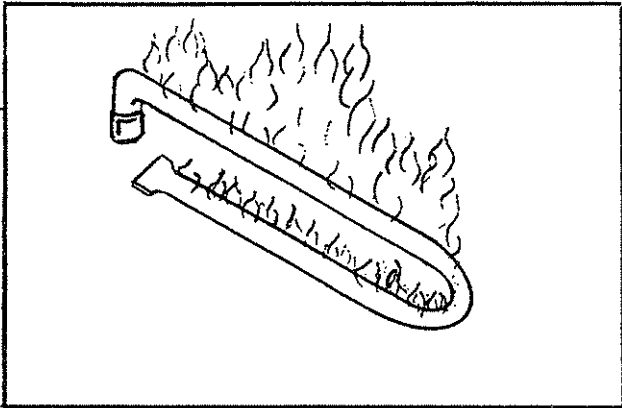


FIGURE 18

### 5.4 GLASS DOOR REPLACEMENT

1. Before replacing the glass door make sure the vermiculite material is spread evenly over the bottom of the firebox and the logs are properly positioned.

2. Center the glass door, push it against the unit and at the same time put a bracket on the upper portion of the door and tighten the wing nut provided.

3. Attach the brackets at the sides of the glass and hand tighten.

NOTE: Wing Nuts that secure the glass only need to be hand tightened to give a snug fit. Overtightening may result in damaged glass.

4. Replace the mesh trim front proceeding in reverse order of step 1 under Glass Door Removal.

**WARNING:** THE GLASS DOOR ASSEMBLY MUST BE IN PLACE AND THE FIXED MESH TRIM ASSEMBLY MUST BE IN PLACE ON THE FIREPLACE BEFORE THE UNIT CAN BE PLACED INTO SAFE OPERATION.

## 6.0 SAFETY INFORMATION

### FOR YOUR SAFETY READ BEFORE LIGHTING

**WARNING: IF YOU DO NOT FOLLOW THESE INSTRUCTIONS EXACTLY, A FIRE OR EXPLOSION MAY RESULT CAUSING PROPERTY DAMAGE, PERSONAL INJURY OR LOSS OF LIFE.**

A. This appliance has a pilot. When lighting the pilot, follow these instructions exactly.

B. BEFORE LIGHTING smell all around the appliance area for gas. Be sure to smell next to the floor because some gas is heavier than air and will settle on the floor.

#### WHAT TO DO IF YOU SMELL GAS

- \* Do not try to light any appliance
- \* Do not touch any electric switch: do not use any phone in your building.
- \* Immediately call your gas supplier from a neighbor's phone. Follow the gas supplier's instructions.
- \* If you cannot reach your gas supplier, call the fire department.

C. Use only your hand to push in or turn the gas control knob. Never use tools. If the knob will not push in or turn by hand, don't try to repair it, call a qualified service technician. Forced or attempted repair may result in a fire or explosion.

D. Do not use this appliance if any part has been under water. Immediately call a qualified service technician to inspect the appliance and to replace any part of the gas control system which has been under water.

## 7.0 LIGHTING INSTRUCTIONS

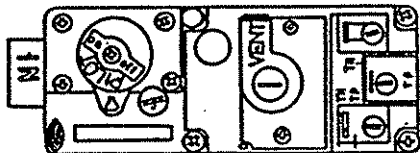
### LIGHTING INSTRUCTIONS

1. "STOP" Read the safety information above first.

2. To access controls, pull top of lower grille forward. The grille is hinged to open downward.

3. Pull air damper lever out toward you and move it to your left to lock damper open and turn ON/OFF microswitch to the "ON" position.

4. Turn the valve control knob to the OFF position. To do this, you must turn the knob clockwise to the pilot position, and then press in and continue turning clockwise to the OFF position.



**GAS CONTROL VALVE**

5. WAIT FIVE (5) MINUTES TO CLEAR OUT ANY GAS. If you then smell gas, STOP! Follow "B" in the safety information above. If you don't smell gas, go to the next step.

6. The pilot should not require accessing for lighting purposes. The pilot is located inside the combustion chamber. If it is necessary to access the pilot, follow the instructions in Section 5.1 for glass door removal.

**THERMOPILE**



**PILOT BURNER**

7. To put the control in the pilot position, turn the control knob counter-clockwise to the pilot position.

8. To light the pilot depress the control knob and then depress the red piezo button until it makes a clicking sound. It may be necessary to repeat this step. If the pilot does not light after 10 seconds, go back to step 3. The control knob should be held down for a MINUTE after pilot ignition. If the pilot will not stay lit after two tries, turn the control knob to the "OFF" position and call your service technician or gas supplier. If the control knob does not pop out when released, STOP-shut off the gas supply to the fireplace control valve, and IMMEDIATELY call your service technician or gas supplier.

9. After the pilot has been lit, the burner can be turned on by turning the knob counter-clockwise to the "ON" position. Flip the ON/OFF switch to the "ON" position.

10. To close the control panel simply lift the grille and press in.

### TO TURN OFF GAS TO APPLIANCE

1. Open the bottom panel of the mesh trim assembly.

2. Turn ON/OFF switch to "OFF".

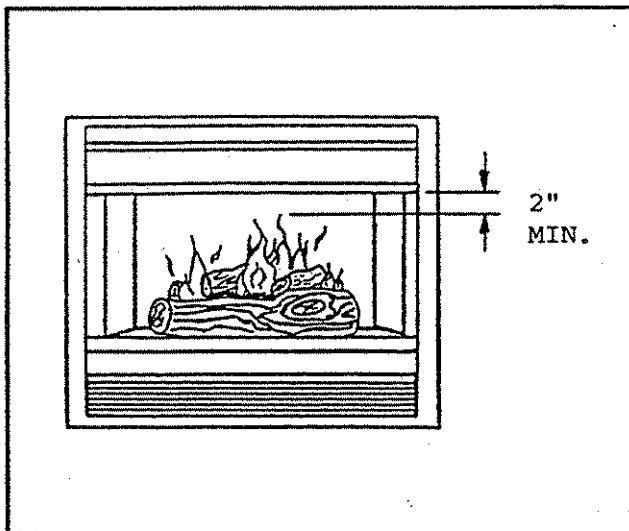
3. Close air damper.

4. Turn the valve control knob clockwise to the "Pilot" position then depress knob and continue turning to "OFF" position.

5. Close the bottom panel of the mesh trim assembly.

**NOTE:** After the unit has warmed up (i.e. approx. 15 min.), flame height not be higher than 2" below the top of the mesh panel front (Figure 19). If the flame height is higher than this, adjustments must be made to prevent overheating the glass. Please contact your dealer or a qualified service person to replace the orifice or adjust the valve.

**NOTE:** THE TOPS OF THE FLAMES SHOULD NEVER HIT THE TOP OF THE FIREBOX.



**FIGURE 19**

## LPG (PROPANE) WARNING

**THE FOLLOWING WARNING APPLIES TO INSTALLATIONS USING L.P. (PROPANE GAS):**

**WARNING:** To avoid possible injury, fire, and explosion, please read and follow these precautions and all instructions on this appliance before lighting the pilot. This appliance uses L.P. (Propane) gas which is heavier than air and will remain at floor level if there is a leak. Before lighting, smell at floor level and/or use other means (such as using a soap solution on all piping and connections, using a gas detector, etc.) to check for gas leaks. **NOTE:** L.P. (Propane) gas can become odorless and **CANNOT** always be detected by smell. If you smell gas, detect a gas leak, or suspect that a gas leak exists, follow these rules:

1. Get all people out of building.

2. **DO NOT** light matches. **DO NOT** turn electric lights or switches on or off in area. **DO NOT** use an electric fan to remove gas from area. **DO NOT** use a telephone inside the building.

3. Shut off gas at L.P. tank out- side of building.

4. Telephone gas company and fire department. Ask instructions. Before hanging up, give your name, address, and phone number. **DO NOT** go back into building

If your L.P. tank runs out of fuel, turn off gas at the appliance. After L.P. tank is refilled, appliance must be re- lit according to manufacturer's instructions. If the gas control has been exposed to **WATER** in any way, **DO NOT** try to use it. It must be replaced. **DO NOT** attempt repair on gas control or appliance.

Tampering is **DANGEROUS** and voids all warranties. Any component that is found to be faulty, must be replaced with an approved component.

## 8.0 HIGH ALTITUDE INSTALLATION

A.G.A. Design Certified units are tested and approved for elevations from 0-2000 feet. CGA approved units are certified for elevations from 0-4500 feet.

When installing this unit at an elevation above 2000 feet, (in United States) it may be necessary to decrease the input rating by changing the existing burner orifice to a smaller size. Input should be reduced 4 percent for each 1000 feet above sea level. Check with your local gas company for help in determining proper orifice size.

When installing this unit at an elevation between 2000-4500 feet (in Canada) the input rating must be reduced by 10 percent.

When installing this unit at an elevation above 4500 (in Canada), check with local authorities.

Consult your local gas company for assistance in determining the proper orifice for your location.

## 9.0 TROUBLE SHOOTING - 6000TV

With proper installation and maintenance, your new Gas Fireplace should provide years of trouble-free service. If you do experience a problem, refer to the Trouble Shooting Guide below. This guide will assist a qualified service person in the diagnosis of problems and the corrective action to be taken.

SYMPTOM	POSSIBLE CAUSE	CORRECTIVE ACTION
<b>I. Spark Ignitor will not light pilot after repeated triggering of red button.</b>	A. Defective ignitor (no spark at electrode).	1. Check for spark at electrode and pilot; if no spark and electrode wire is properly connected, replace ignitor.
	B. Defective pilot or misaligned electrode (spark at electrode).	1. Using a match, light pilot. If pilot lights, turn off pilot and trigger the red button again. If pilot lights, an improper gas/air mixture caused the bad lighting and a longer purge period is recommended. If pilot will not light - check gas at electrode and pilot - should be 1/8 inch (3.2mm) to have a strong spark. If OK, replace pilot.
	C. No gas or low gas pressure.	1. Check the unit's shut-off valve remote shut-off valves from fireplace. Usually there is a valve near the fireplace and sometimes there is a valve near the main. There can be more than one (1) valve between the fireplace and main.  2. Low pressure can be caused by a variety of situations such as a bent line, too narrow diameter of pipe or even low line pressure. Check for kinked lines. If none, consult with plumber or gas supplier.
	D. No L.P. in tank.	1. Check L.P. (propane) tank. You may be out of fuel.
<b>II. Pilot will not stay lit after carefully following lighting instructions.</b>	A. Defective thermopile.	1. Check pilot flame. Must impinge on thermopile. Clean and or adjust pilot for maximum flame impingement on thermopile.  2. Be sure wire connections from thermopile at gas valve terminals are tight and thermopile is fully inserted into pilot bracket.

SYMPTOM	POSSIBLE CAUSE	CORRECTIVE ACTION
<b>III. Pilot burning, no gas burner, valve knob "ON", "on-off" switch "ON".</b>	B. Defective valve.	3. Check thermopile with millivolt meter. Take reading at "TH-TP&TP" terminals of gas valve. Should read 325 millivolts minimum while holding valve knob depressed in pilot position, pilot lit, and on/off switch "OFF". Replace faulty thermopile if reading is below specified minimum.  1. Turn green knob to pilot position, depress and light pilot light. If meter reading is less than 325 m.v. after 30 second, or if the pilot does not stay lit, the valve is defective.
	C. Inlet air damper does not fully depress the Microswitch.	1. Make certain that the inlet air damper handle is in forward "locked" position so that the microswitch is depressed.
	D. Open wire connection in pilot circuit.	1. Check wire continuity and connections in pilot circuit.
	A. "ON/OFF" switch or wires defective.	1. Check "on-off" switch and wires for proper connections. Place jumper wires across terminals at switch-if burner comes on, replace defective switch. If OK, place jumper wires across switch wires at gas valve-if burner comes on, wires are faulty or connections are bad.
	B. Thermopile may not generating sufficient millivoltage. (325m.v.).	1. Recheck Symptom #2.  2. Pilot flame not physically close enough to thermopile.
	C. Defective valve.	1. Turn valve knob to "ON". Place ON/OFF switch to "ON". Check with millivolt meter at thermopile terminals. Millivolt meter should read greater than 100 m.v. If the reading is okay and the burner does not come on, replace the gas valve.
	D. Plugged burner orifice.	1. Check burner orifice for stoppage and remove.
	E. Wall switch or wires defective.	1. Follow corrective action in A.1 above; check switch and wiring. Replace where defective.

SYMPTOM	POSSIBLE CAUSE	CORRECTIVE ACTION
IV. Frequent pilot outrage problem.	A. Pilot flame may be too low or blowing (high), causing the pilot safety to drop out.	1. Clean and adjust pilot flame for maximum flame impingement on thermopile.
V. Pilot and main burner go out while being in operation.	A. High limit switch is defective or has reached its maximum temperature.	1. Allow unit to cool. Then repeat lighting instructions. If pilot and burner remain lit after the fireplace warms up, the switch is good.  2. If 1 above does not allow for ignition, or the fireplace continues to shut-off, disconnect the limit switch wire from the gas valve and repeat lighting instructions. If the pilot and burner remain lit after the fireplace warms up, replace the limit switch. <b>Do not use the fireplace until the high limit switch is replaced and properly wired.</b>
	B. Air damper does not fully depress microswitch.	1. Make certain the inlet air damper is in "OPEN" position so that microswitch is depressed.  2. If fully depressed, place jumper wires across connectors and if it allows you to re-ignite, the switch should be replaced. Do not operate unit with jumper wires in place. When jumper wire is in place and the unit won't re-ignite, you may have problems with the wiring or connectors.
	C. No L.P. in tank.	1. Check L.P. (Propane) tank. You may be out of fuel.
	D. Bad Thermopile.	1. Replace if necessary.
	E. Improper vent cap installation.	1. Check for proper installation and freedom from debris or blockage.
VI. Glass Soots	A. Flame impingement on logs.	1. Adjust the log set so the flame does not impinge on it.
	B. Improper venturi setting.	1. Adjust the air shutter at the base of the burner.
	C. Vermiculite around venturi.	1. Inspect the opening at the base of the burner. It is imperative that NO material be placed in this opening



SYMPTOM	POSSIBLE CAUSE	CORRECTIVE ACTION
VII. Flame burns blue and lifts off burner.	A. Insufficient oxygen being supplied.	<ol style="list-style-type: none"><li>1. Check to make sure vent cap is installed properly.</li><li>2. Check to make sure that the vermiculite has not been improperly placed at the base of the burner.</li><li>3. Be sure the inlet air damper is in the "locked" open position.</li></ol>

## 11.0 MODEL 6000TV-HSI

### ELECTRONIC IGNITION SYSTEM

(Not for use in Canada)

This unit requires 110VAC service in order to operate. Connection to house wiring should ONLY be done by a Qualified Electrician.

#### FOR YOUR SAFETY READ BEFORE OPERATING HSI CONTROLS

**WARNING:** If you do not follow these instructions exactly, a fire or explosion may result causing property damage, personal injury or loss life.

A. This appliance does not have a pilot. It is equipped with an ignition device which automatically lights the burner. Do not try to light the burner by hand.

B. BEFORE Operating smell all around the appliance area for gas. Be sure to smell next to the floor because some gas is heavier than air and will settle on the floor.

#### WHAT TO DO IF YOU SMELL GAS

- \* Do not try to light any appliance.
- \* Do not touch any electric switch, do not use any phone in your building.
- \* Immediately call your gas supplier from a neighbor's phone. Follow the gas supplier's instructions.
- \* If you cannot reach your gas supplier, call the fire department.

C. Use only your hand to turn the gas control knob. Never use tools. If the knob will not turn by hand, don't try to repair it, call a qualified service technician. Force or attempted repair may result in a fire or explosion.

D. Do not use this appliance if any part has been under water. Immediately call a qualified service technician to inspect the appliance and to replace any part of the control system and any gas control which has been under water.

## LIGHTING INSTRUCTIONS

### 6000TV-HSI CONTROLS

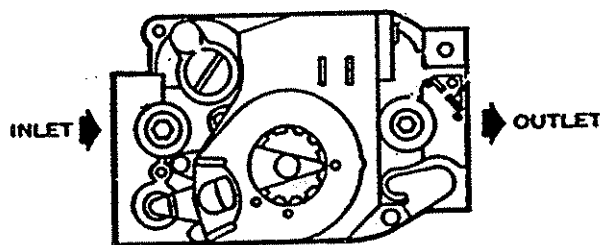
(NOT FOR USE IN CANADA)

1. **STOP!** Read the safety information on the "For Your Safety Read Before Operating" label.

2. Pull the lower damper lever towards you and move it to your left to lock the damper into "OPEN" position.

3. Turn off all electric power to the appliance.

4. This appliance is equipped with an ignition device which automatically lights the burner. Do not try to light the burner by hand.



5. Turn gas control knob clockwise to "OFF".



6. Wait five (5) minutes to clear out any gas. If you then smell gas, **STOP!** Follow "B" in the safety information on the label located on the previous page. If you don't smell gas, go to next step.

7. Turn on all electric power to the appliance.

8. Turn gas control knob counter-clockwise to "ON".



9. Flip ON/OFF rocker switch to "ON" and close access grille.

10. If the appliance will not operate, follow the instructions "To Turn Off Gas To Appliance" and call service technician or gas supplier.

### TO TURN OFF GAS TO APPLIANCE

1. Flip ON/OFF switch to "OFF".

2. Turn off all electric power to the appliance if service is to be performed.

3. Turn gas control knob clockwise to "OFF". Do not force.



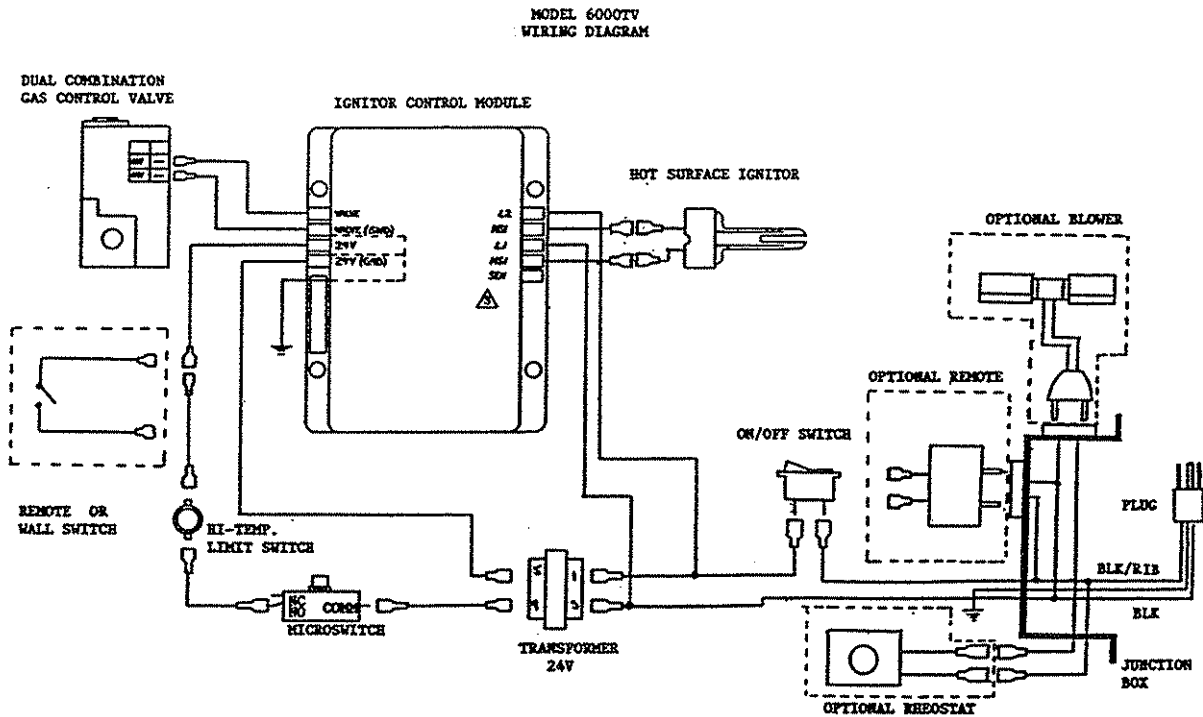
4. Close air damper.

## OPTIONAL SWITCH WIRING MODEL 6000TV-HSI (Not for Use In Canada)

An Optional Wall Switch (WSK-21) or Remote Control Switch (RCH-09A) may be wired to this appliance. The Wall Switch **DOES NOT** require 110-120 VAC electrical service connection. The remote control receiver **DOES** require 110-120 VAC which is obtained at the pre-installed junction box. Connect low voltage wires from the optional switch installed to the black wires (labeled Optional Wall Switch or Remote) found behind the lower grille. Set the unit's ON/OFF rocker switch to the "ON" position. Activate the optional switch installed to control the main burner of the unit. Detailed installation instructions for optional switches are found in each accessory kit.

**NOTE:** When using an optional switch in Model 6000TV-HSI, a humming sound from the control system transformer may be audible when the burner is turned off. This sound will stop if the ON/OFF rocker switch is turned to "OFF".

**WARNING:** DO NOT CONNECT 110-120 VAC TO AN OPTIONAL WALL SWITCH INSTALLED TO THIS FIREPLACE.



**LIMITED WARRANTY POLICY  
FOR HEAT-N-GLO FIREPLACE PRODUCTS, INC. GAS FIREPLACES**

The limited two year warranty will not become effective until the completed warranty card has been mailed to HEAT-N-GLO FIREPLACE PRODUCTS, INC., Savage, MN 55378.

This card must be mailed within 60 days of the fireplace installation.

Subject to the conditions set forth herein, HEAT-N-GLO FIREPLACE PRODUCTS, INC. extends the following warranty with respect to HEAT-N-GLO FIREPLACE PRODUCTS, INC. Decorative Gas Fireplaces.

If HEAT-N-GLO FIREPLACE PRODUCTS, INC. is satisfied that any part or portion of the fireplace covered by this limited warranty is defective in material or workmanship under normal use and service as described in the operating instructions, HEAT-N-GLO FIREPLACE PRODUCTS, INC. will take the following actions:

1. Within the first year from the date of installation, HEAT-N-GLO FIREPLACE PRODUCTS, INC. shall, at its option, replace or repair any such defect in material or workmanship, at HEAT-N-GLO FIREPLACE PRODUCTS, INC. expense. HEAT-N-GLO FIREPLACE PRODUCTS, INC. SHALL NOT BE RESPONSIBLE FOR ANY OTHER LABOR COSTS, OR EXPENSES, INCLUDING INDIRECT, INCIDENTAL, OR CONSEQUENTIAL DAMAGES.
2. During the second year after the date of installation, HEAT-N-GLO FIREPLACE PRODUCTS, INC. shall supply replacement parts at the current minimum wholesale price, but HEAT-N-GLO FIREPLACE PRODUCTS, INC. SHALL NOT BE RESPONSIBLE FOR ANY LABOR, TRANSPORTATION, OR OTHER INDIRECT, INCIDENTAL, OR CONSEQUENTIAL DAMAGES.
3. During the first six months after installation, HEAT-N-GLO FIREPLACE PRODUCTS, INC. shall, at its option, replace or repair the glass door if operation is faulty (this does not include glass panels broken during shipping, misuse, or careless handling). HEAT-N-GLO FIREPLACE PRODUCTS, INC. SHALL NOT BE RESPONSIBLE FOR ANY LABOR, TRANSPORTATION OR OTHER INDIRECT, INCIDENTAL, OR CONSEQUENTIAL DAMAGES. IF GLASS DOORS OTHER THAN FACTORY DOORS ARE USED, ALL WARRANTY AND LIABILITY ON THE FIREPLACE IS VOIDED.
4. All electrical, manual, and optional components or accessories found to be defective will be repaired or replaced without charge during the first year after installation.

HEAT-N-GLO FIREPLACE PRODUCTS, INC. may discharge its entire warranty liability by refunding the price of the product.

Products made by other manufacturers, sold with the fireplace or thereafter are not covered by this limited warranty. The use of other unauthorized components will make this warranty null and void.

This limited warranty will be void if the appliance is not installed by a qualified installer and according to the installation instructions. The limited warranty also is void if the fireplace is not operated, at all times, according to the operating instructions furnished.

EXCEPT TO THE EXTENT PROVIDED BY LAW, NO IMPLIED WARRANTIES OR MERCHANTABILITY OR FITNESS FOR A PARTICULAR PURPOSE, AND NO IMPLIED WARRANTIES SHALL APPLY TO THE FIREPLACE AFTER THE ABOVE LIMITED WARRANTY HAS EXPIRED.

In states that do not allow limitations on how long implied warranty lasts, or do not allow exclusion of indirect damages, those limitations or exclusions may not apply to you. You may also have additional rights not covered in this limited warranty.

HEAT-N-GLO FIREPLACE PRODUCTS, INC. reserves the right to make changes at anytime, without notice, in design, material, specifications, and prices and the right to discontinue styles and products.

# PRODUCT INFORMATION

## THE GOLDEN FLAME MODEL 6000 TV (Top Vent)



**THE GOLDEN FLAME - 6000 TV**

### STANDARD FEATURES

- 25,000 BTU input
- Large Glass Door Area (34" x 20")
- Realistic looking oak logs
- Piezo Ignitor and Safety Pilot
- Heat Circulation
- Clean Burn
- Installed Junction Box for blower and/or remote control.
- Fixed Mesh Screen (Polished Brass Trim)
- Polished Brass Decorative Hood

### APPROVALS

- A.G.A. Design Certified as a Vented Decorative Gas Appliance to ANSI Z21.50 (latest edition) for Natural or Propane gas.
- C.G.A. Approved

### Vent Kits

- 5" B-Vent Pipe

Model	Product	Suggested Retail
6000 TV	Top Vent Unit	\$940.00
6000 TV-HSI	Top Vent Unit w/ Hot Surface Ignitor	1126.00

### Options

RCH-09A	Remote Control	140.00
WSK-21	Wall Switch Kit	14.00
GFK-160A*	Fan Kit 160 CFM	160.00
AK-225	Outside Air Kit	22.00

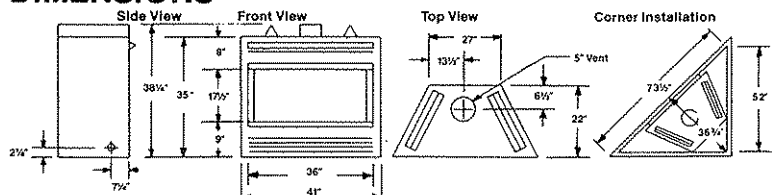
### Special Order

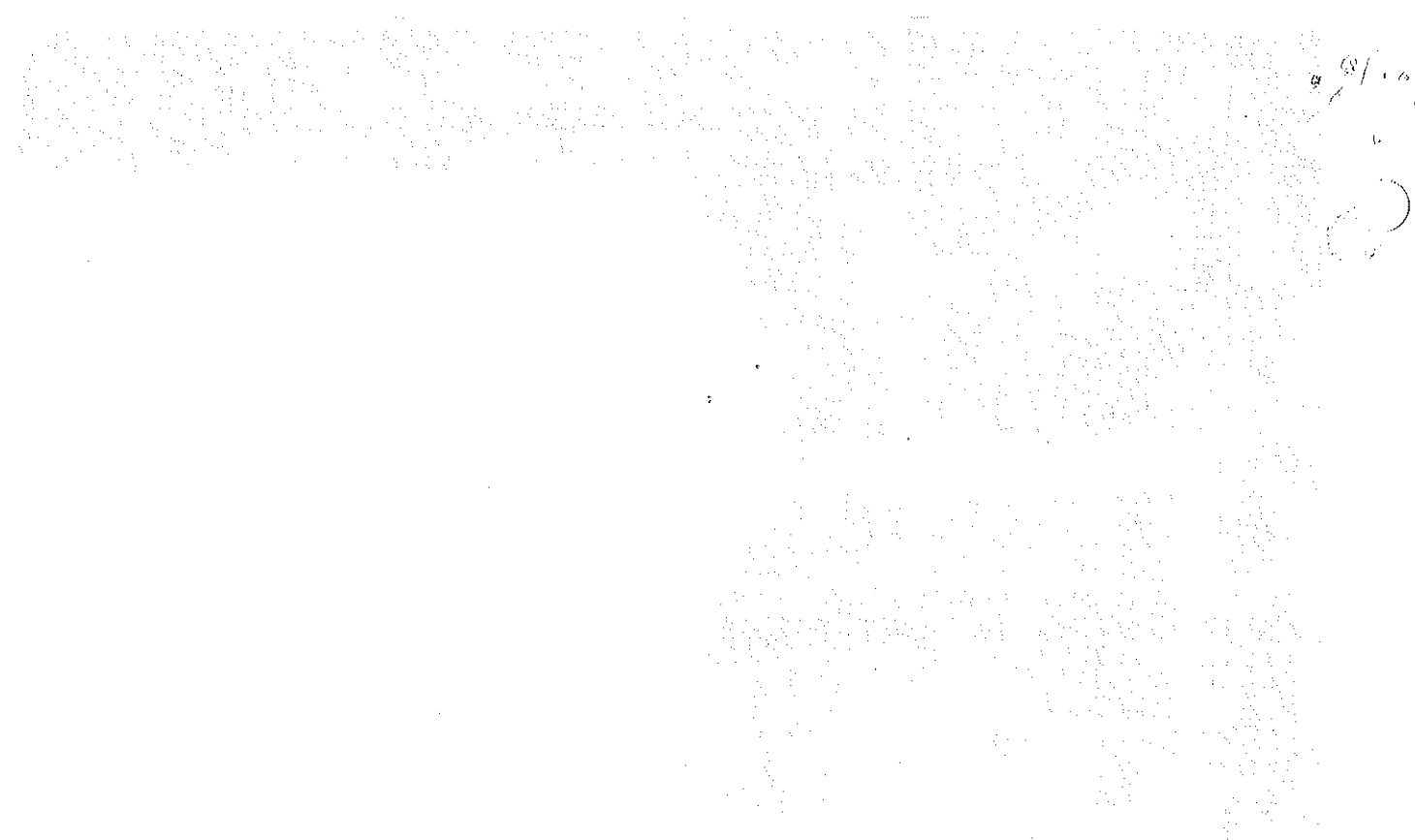
60-136A	Decorative Front (with Mesh)	58.00
60-143	Decorative Hood	30.00

\* Includes on/off temperature sensor switch for blower and variable speed control.

### DIMENSIONS

Height		Front Width		Back Width		Depth		Glass Doors
Actual	Framing	Actual	Framing	Actual	Framing	Actual	Framing	
38 1/4"	38 1/2"	41"	42"	27"	28"	22"	22 1/2"	34 x 20"





8/10  
v

