

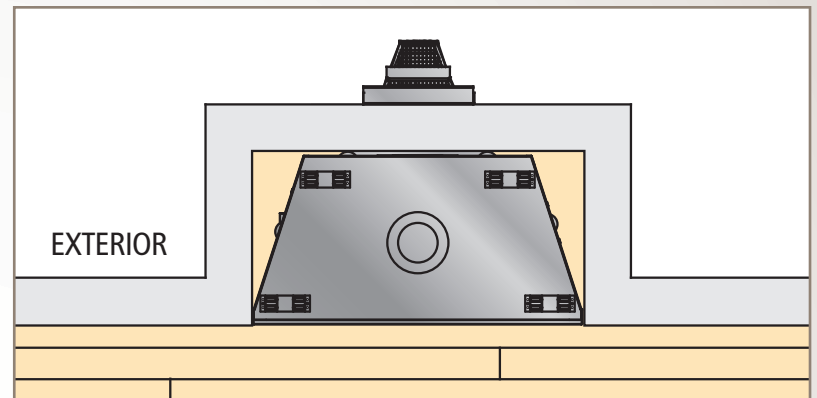
# Fireplace Installation Options

## Fireplace Mini Chase or Reverse Chase Installation

**Mini Chase**—Fireplace installed behind wall, to the exterior.

Pro: Doesn't infringe on interior room space

Con: Requires exterior house construction



**Reverse/Interior Chase**—Fireplace installed into living space.

Pro: Minimal exterior construction

Con: Extends into interior living space

