



**MULTI-SIDED**

DIRECT VENT GAS FIREPLACES

HEAT & GLO

# AMBIANCE FROM MORE ANGLES



# MULTI-SIDED

Enjoy the power of fire in dramatic new ways. Divide a space with elegance. Warm up a dim corner. Add architectural interest to any floor plan. Multi-sided gas fireplaces make it all possible.

## A WARMING ESCAPE

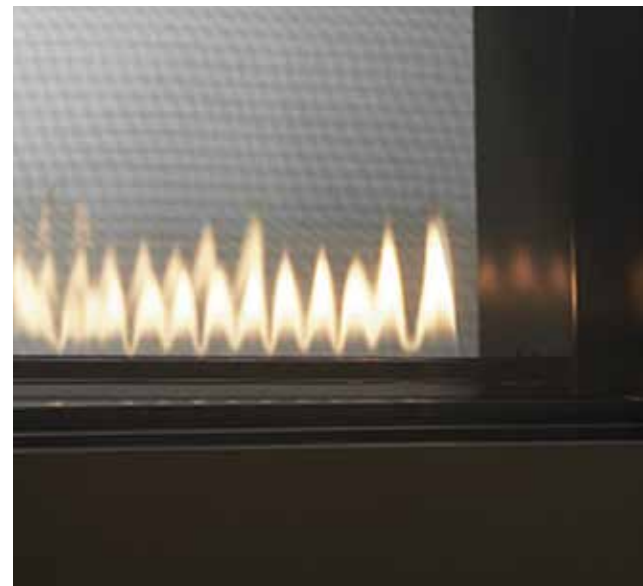
The best fire. The cleanest look. And an authentic masonry appearance. Escape to warmth and comfort from two sides. With this captivating functional focal point.

## ONE FIRE, FOUR WAYS

Corner, Pier and See-Through models provide striking versatility. Left or right facing options upgrade any corner. Divide a space with a See-Through model. Or bring the fire out into the room, for three sides to see.

## A TOUCH OF MODERN

The compact and efficient METRO See-Through fits where other fireplaces don't. Think about different placements on the wall, or in a secondary or unique space.



LEFT: ESCAPE SEE-THROUGH shown with firescreen in black  
COVER: LEFT CORNER 36TRB



TOP LEFT: *SEE THROUGH 36* shown with folio front in black  
TOP RIGHT: *CORNER* shown with arcadia front in black  
BOTTOM LEFT: *PIER* shown with folio front in black  
BOTTOM RIGHT: *METRO SEE-THROUGH* shown with modern front in black

**DECORATIVE FRONTS AND DOORS**

Customize your multi-sided fireplace with one of these fronts or doors.

FRONTS									
	FIRESCREEN	ARCHED FIRESCREEN	ARCADIA	CHATEAU	HALSTON	GALLERIA DOORS	FOLIO	CLEAN FACE	MODERN
ESCAPE SEE-THROUGH	•	•							
36" SEE-THROUGH TR & TRB			•	•	•	•	•		
36" PIER TR & TRB			•	•			•		
36" LEFT & RIGHT CORNER							•		
32" SEE-THROUGH				•	•		•	•	
METRO SEE-THROUGH									•



**FIRESCREEN**  
Available in black and new bronze.



**ARCHED FIRESCREEN**  
Available in black, graphite and new bronze.



**ARCADIA**  
Available in black, graphite and new bronze.



**CHATEAU**  
Available in black, graphite and new bronze.



**MODERN**  
Available in black, graphite, new bronze and fog gray.



**FOLIO (INSIDE FIT)**  
Available in black, graphite and new bronze.



**CLEAN FACE FRONT**  
Available in black, graphite and new bronze.

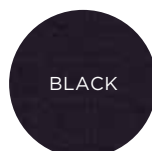


**HALSTON**  
Available in black, graphite and new bronze.



**GALLERIA OPERABLE DOORS**  
Available in black, graphite and new bronze.

**FINISHES**



### ANDIRONS

Optional andirons are available in black on the Escape See-Through only.



### GLASS MEDIA

Optional glass media is available in four colors for the ST-550TM only.



CRYSTAL GLASS



BLACK GLASS



COBALT GLASS



AMBER GLASS

### REMOTE CONTROL



#### INTELLIFIRE PLUS RC300

A large LCD screen, intuitive menus and large icons. With flexibility to mount on the wall or use as a remote. Standard on Escape See-Through.

## MULTI-SIDED TECHNOLOGIES

### INTELLIFIRE AND INTELLIFIRE PLUS IGNITION SYSTEMS



An advanced intermittent pilot ignition system with memory settings and a programmable wireless RC300 remote control. IPI Plus constantly monitors ignition, ensures safe functioning and conserves up to \$10/month in energy costs.

### DIRECT VENT TECHNOLOGY



Direct Vent fireplaces remove 100% of combustion exhaust and odors outside of the home. These sealed fireplaces provide optimal heat, conserve energy and ensure clean, safe indoor air quality.

### U.S. EFFICIENCIES

**Steady State** - Since most homeowners use their fireplaces for an extended time while they are in the room, Steady State measures how efficiently your fireplace converts fuel to heat once it is warmed up and running in a "steady state".

**AFUE** - AFUE rating is more typically used with appliances, like your furnace, that continually cycle on and off to maintain a constant temperature.

RATING	ESCAPE-ST	ST-36TVB	ST-36TR/TRB	ST-550T/ METRO SEE-THROUGH	PIER-36TR/TRB	L/RCOR-36TRB
STEADY STATE	69.3%	N/A	72%	74%	75%	72%
AFUE	60.5%	N/A	59%	47%	68%	59%

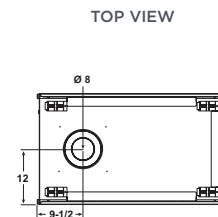
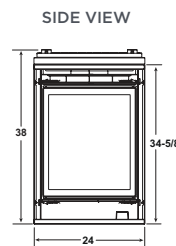
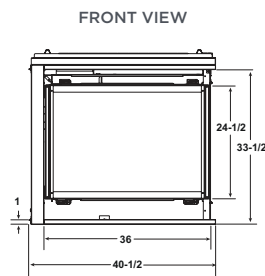
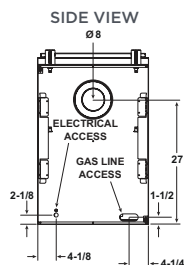
### CANADA EFFICIENCIES

**EnerGuide (CSA P.4.1-02)** - EnerGuide is a rating used in Canada to measure annual fireplace efficiency.

RATING	ESCAPE-ST	ST-36TVB	ST-36TR/TRB	ST-550T/ METRO SEE-THROUGH	PIER-36TR/TRB	L/RCOR-36TRB
ENERGUIDE (CSA P.4.1-02)	62.5%	N/A	61%	51%	63%	61%

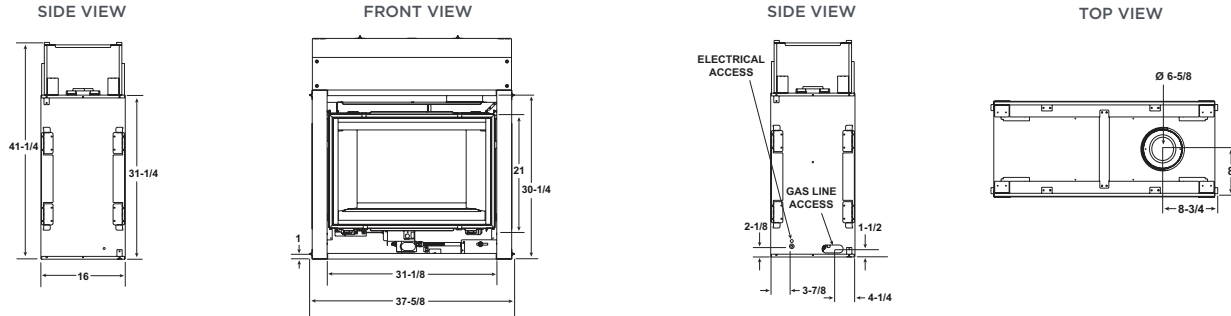
### PIER SPECIFICATIONS

MODEL	FRONT WIDTH		BACK WIDTH		HEIGHT		DEPTH		GLASS SIZE	BTU/HOUR INPUT
	UNIT	FRAMING	UNIT	FRAMING	UNIT	FRAMING	UNIT	FRAMING		
PIER-36TR (IPI) PIER-36TRB (IPI)	40-1/2 [1029]	40 [1016]	40-1/2 [1029]	40 [1016]	38 [965]	38-1/8 [968]	24 [610]	23 [584]	32 X 21-1/2 [813 X 546]	26,000 - 37,000



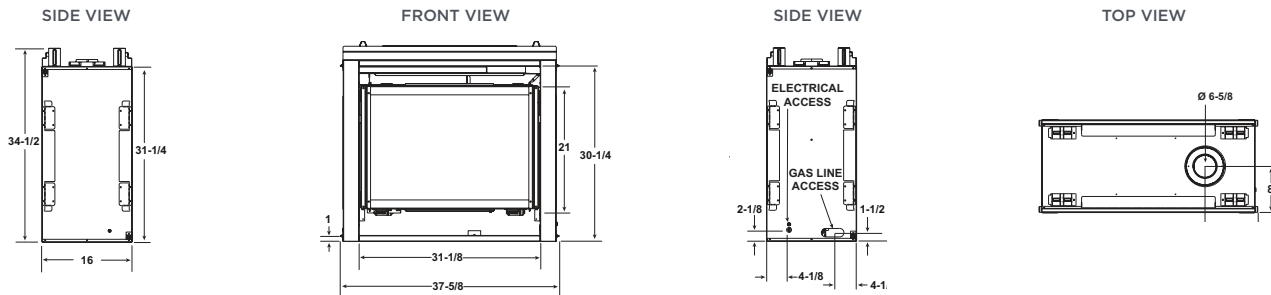
METRO SEE-THROUGH SPECIFICATIONS

MODEL	FRONT WIDTH		BACK WIDTH		HEIGHT		DEPTH		GLASS SIZE	BTU/HOUR INPUT
	UNIT	FRAMING	UNIT	FRAMING	UNIT	FRAMING	UNIT	FRAMING		
METRO SEE-THROUGH (IPI)	37-5/8 [956]	38-1/8 [968]	37-5/8 [956]	38-1/8 [968]	41-1/4 [1048]	41-1/2 [1054]	16 [406]	15 [381]	31 X 21 [787 X 533]	16,000 - 22,000



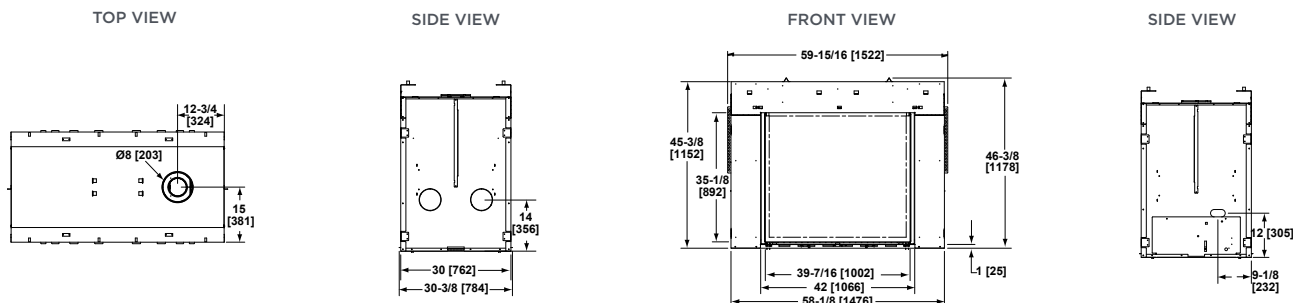
ST-550T SPECIFICATIONS

MODEL	FRONT WIDTH		BACK WIDTH		HEIGHT		DEPTH		GLASS SIZE	BTU/HOUR INPUT
	UNIT	FRAMING	UNIT	FRAMING	UNIT	FRAMING	UNIT	FRAMING		
ST-550T (IPI)	37-5/8 [956]	38-1/8 [968]	37-5/8 [956]	38-1/8 [968]	34-1/2 [876]	34-3/4 [883]	16 [406]	15 [381]	27-3/16 X 18-1/16 [691 X 459]	14,700 - 21,000



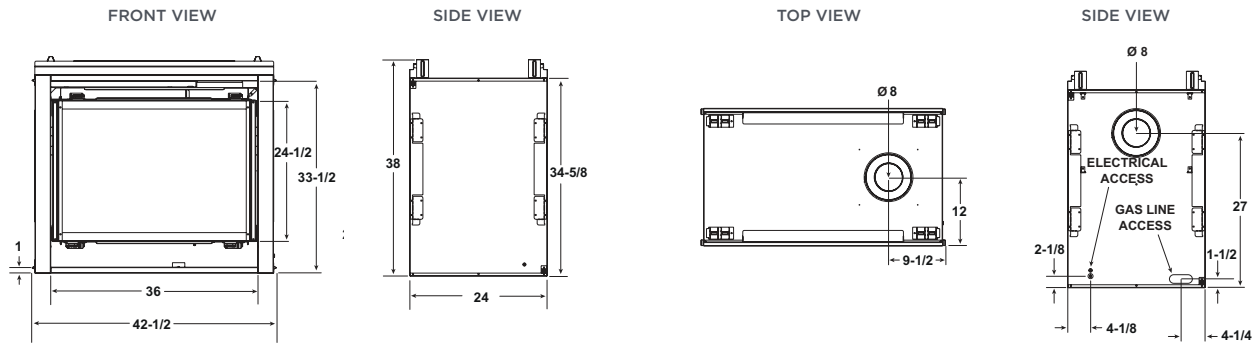
ESCAPE SEE-THROUGH SPECIFICATIONS

MODEL	FRONT WIDTH		BACK WIDTH		HEIGHT		DEPTH		GLASS SIZE	BTU/HOUR INPUT
	UNIT	FRAMING	UNIT	FRAMING	UNIT	FRAMING	UNIT	FRAMING		
ESCAPE SEE-THROUGH (IPI PLUS)	59-15/16 [1522]	60-1/4 [1530]	59-15/16 [1524]	60-1/4 [1530]	46-3/8 [1178]	46-1/2 [1181]	30 [762]	30 [762]	39-7/16 X 35-1/8 [1002 X 892]	43,500 - 57,500



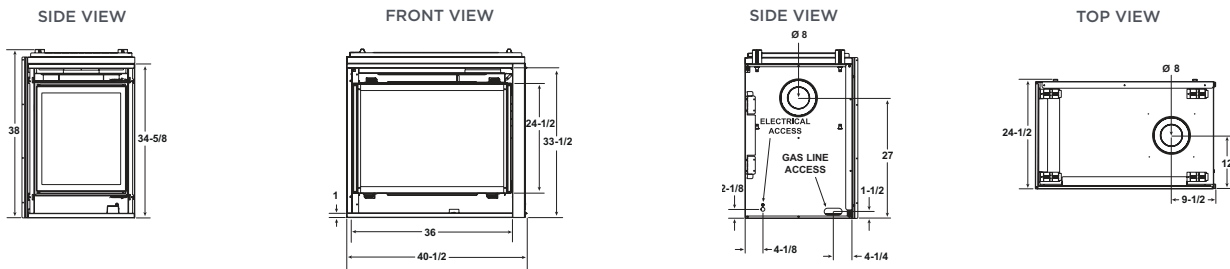
## ST-36 SPECIFICATIONS

MODEL	FRONT WIDTH		BACK WIDTH		HEIGHT		DEPTH		GLASS SIZE	BTU/HOUR INPUT
	UNIT	FRAMING	UNIT	FRAMING	UNIT	FRAMING	UNIT	FRAMING		
ST-36TR (IPI) ST-36TRB (IPI)	42-1/2 [1080]	43 [1092]	42-1/2 [1080]	43 [1092]	38 [965]	38-1/8 [968]	24 [610]	23 [584]	32 X 21-1/2 [813 X 546]	26,000 - 37,000



## CORNER SPECIFICATIONS

MODEL	FRONT WIDTH		BACK WIDTH		HEIGHT		DEPTH		GLASS SIZE	BTU/HOUR INPUT
	UNIT	FRAMING	UNIT	FRAMING	UNIT	FRAMING	UNIT	FRAMING		
LCOR-36TRB (IPI) RCOR-36TRB (IPI)	40-1/2 [1029]	40 [1016]	40-1/2 [1029]	40 [1016]	38 [965]	38-1/8 [968]	24-1/2 [622]	24 [610]	32 X 21-1/2 [813 X 546]	26,000 - 37,000



Dimensions shown are in inches. Reference dimensions only. We recommend measuring individual units at installation. Assumes the use of 1/2" Sheetrock. NOTE: Non-combustible material is allowed over this dimension. Make sure you do NOT cover the decorative door opening.

Refer to installation manual for detailed specifications on installing this product. Heat & Glo reserves the right to update units periodically. The flame and ember appearance may vary based on the type of fuel burned and the venting configuration used. Pictures in this brochure are not true representation of the fireplace, flames and/or finishes.

For complete information on this model, please contact us at:

**HEAT & GLO**  
No one builds a better fire

Web: [heatnglo.com](http://heatnglo.com)  
Phone: (888) 427-3973 (952) 985-6000  
E-mail: [info@heatnglo.com](mailto:info@heatnglo.com)

[facebook.com/HeatandGlo](https://www.facebook.com/HeatandGlo)  
[twitter.com/HeatandGlo](https://twitter.com/HeatandGlo)  
[youtube.com/HeatandGlo](https://www.youtube.com/HeatandGlo)

HNG-1034U-0416

### LIMITED LIFETIME WARRANTY\*

The strongest in the industry, Heat & Glo® provides a limited lifetime warranty on the most important aspects: firebox and heat exchanger.

\*For full warranty details, go to [www.heatnglo.com](http://www.heatnglo.com).

Fireplace glass and other surfaces get extremely HOT and can cause severe burns if touched. Do not remove the protective safety screen from the front of the glass. Keep a safe distance away. To learn more visit [www.heatnglo.com/fireplacesafety](http://www.heatnglo.com/fireplacesafety)

