

CATALOGUE | *Fireplace Mantels & Surrounds*

FIRESIDE
Furnishings™



CAST MANTELS-PG 2

WOOD MANTELS & SHELVES-PG 12

WOOD CABINETS-PG 26

CAST MANTELS

CREATE THE HEARTH OF YOUR DREAMS. For you, every room in your home is a distinctive expression of your passion. Fireside Furnishings™ can help you enhance those expressions by designing the hearth of your dreams.

We are the preferred manufacturer for mantelpieces to complement your fireplace. A part of Hearth & Home Technologies™ since 2000, Fireside Furnishings employs state-of-the-art technology to create exclusive cast mantels from our fiberglass-reinforced cement.

Our cast mantels and facings beautifully replicate real stone, but are lightweight with added durability and strength. With the warm hues of wind-swept earth tones, our mantels are architecturally designed to fit a range of fireplace openings. And styled to appeal to an impressive range of tastes—from the classic simplicity of the Carolina to the elegant arch of the Reno to the castle-inspired Biltmore.

The result is freedom of expression to create the hearth of your dreams. So, go ahead and enjoy the adventure of creating an inviting, warm gathering spot for your family and friends.



Annapolis mantel



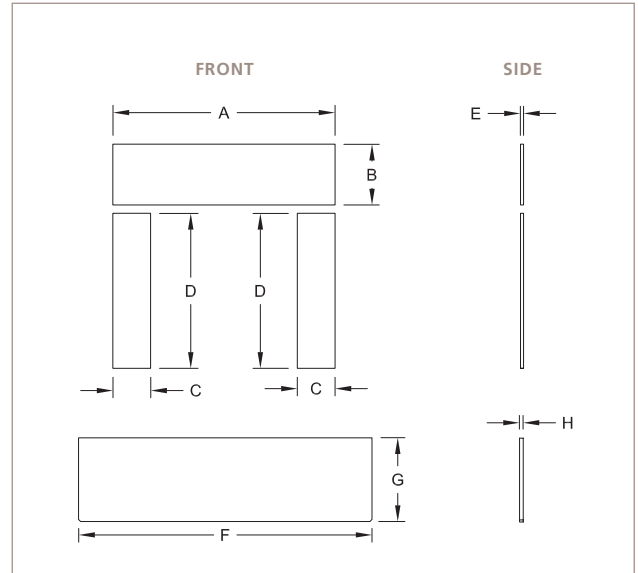
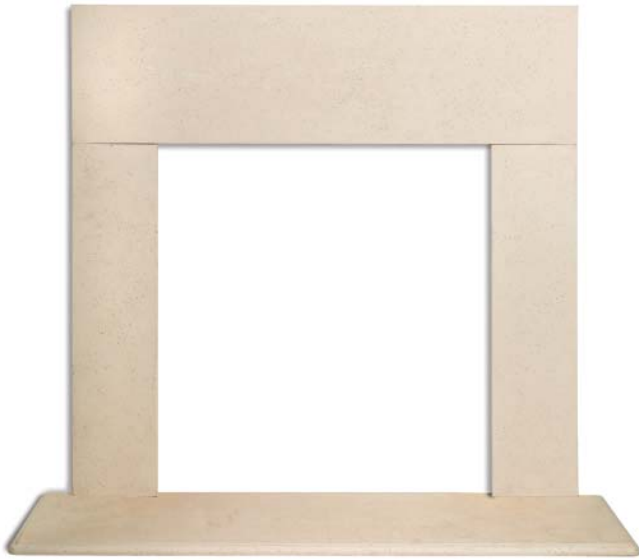
Biltmore mantel, facing and overmantel



Avalon mantel, facing and overmantel

CAST FACING

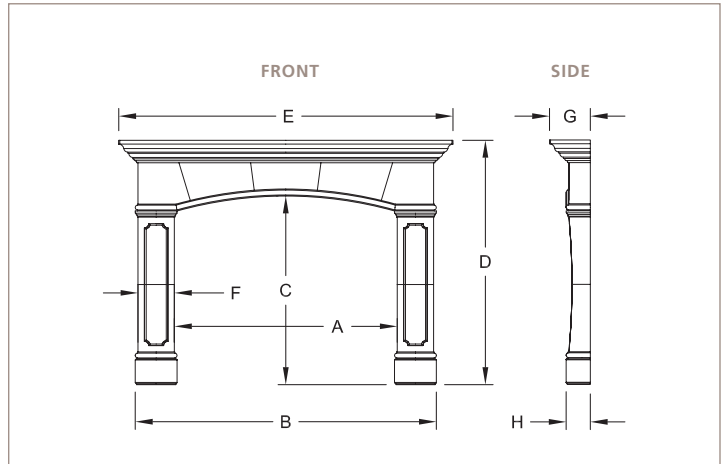
Our timelessly crafted facing frames the firebox with clean lines and warm cast material. It's a perfect match in color and texture, creating a seamless flow between facing and mantel. Every surround is ready-to-assemble and offers easy, trouble-free installation.



	A HEADER WIDTH	B HEADER HEIGHT	C LEG WIDTH	D LEG HEIGHT	E TYPICAL THICKNESS	F HEARTH WIDTH	G HEARTH DEPTH	H HEARTH THICKNESS
HEARTH 1	53"	14-1/2"	10"	37"	3/4"	70"	20"	7/8"
HEARTH 2	53"	14-1/2"	10"	37"	3/4"	74"	20"	1-1/4"

Dimensions on all drawings are in inches and for reference only. Please refer to installation manual for detailed specifications on installing this product.

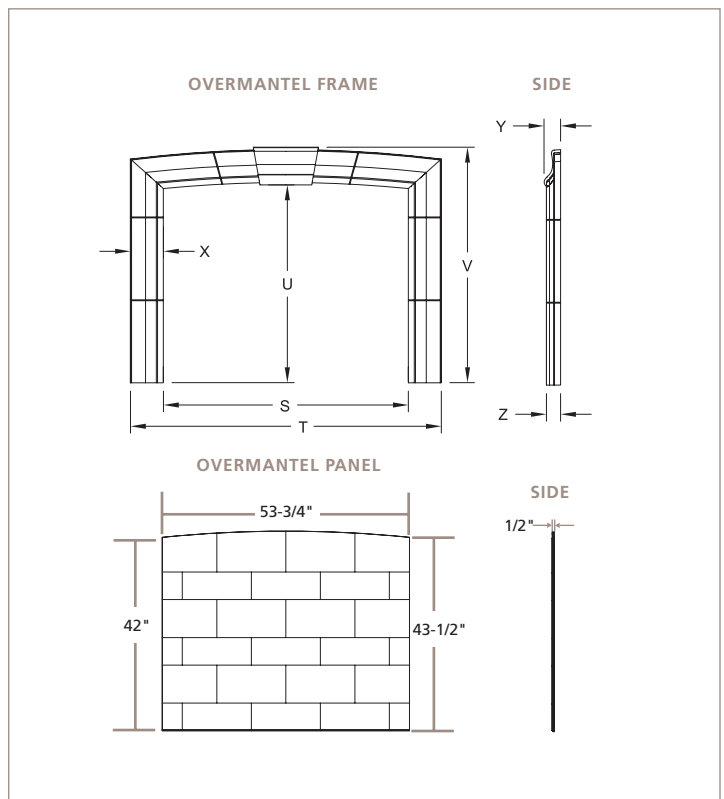
AVALON



AVALON MANTEL WITH CAST FACING

	A OPENING WIDTH	B OUTSIDE WIDTH	C OPENING HEIGHT	D OUTSIDE HEIGHT	E TOP WIDTH	F LEG WIDTH	G SHELF DEPTH	H LEG DEPTH
AVALON	52"	70-1/4"	44"	57"	78"	8-1/2"	9-1/2"	5-5/8"

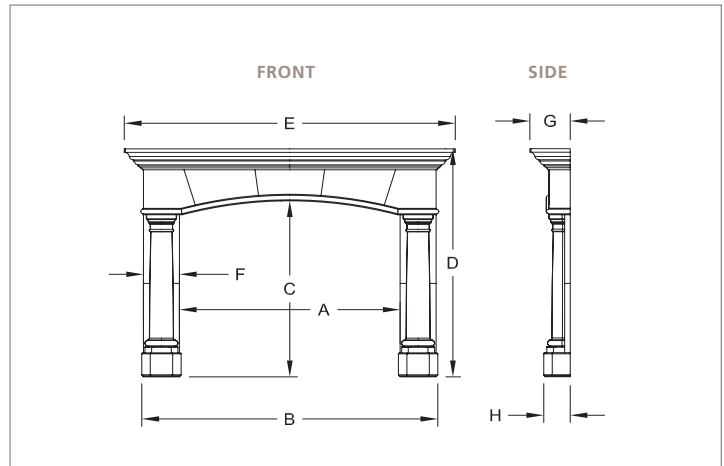
AVALON with overmantel



AVALON MANTEL AND CAST FACING WITH OVERMANTEL

	S OPENING WIDTH	T OUTSIDE WIDTH	U OPENING HEIGHT	V OUTSIDE HEIGHT	X LEG WIDTH	Y SHELF DEPTH	Z LEG DEPTH
AVALON OVERMANTEL	52"	66"	42"	50"	7"	3-1/2"	3"

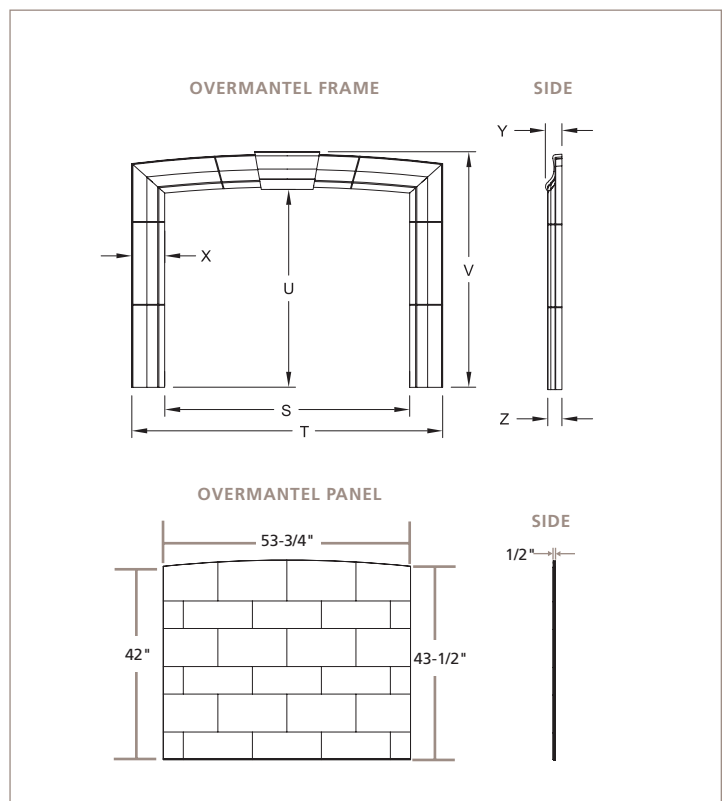
BILTMORE



BILTMORE MANTEL WITH CAST FACING

	A OPENING WIDTH	B OUTSIDE WIDTH	C OPENING HEIGHT	D OUTSIDE HEIGHT	E TOP WIDTH	F LEG WIDTH	G SHELF DEPTH	H LEG DEPTH
BILTMORE	52"	69-3/4"	44"	57"	78"	8-1/2"	9-1/2"	6-1/4"

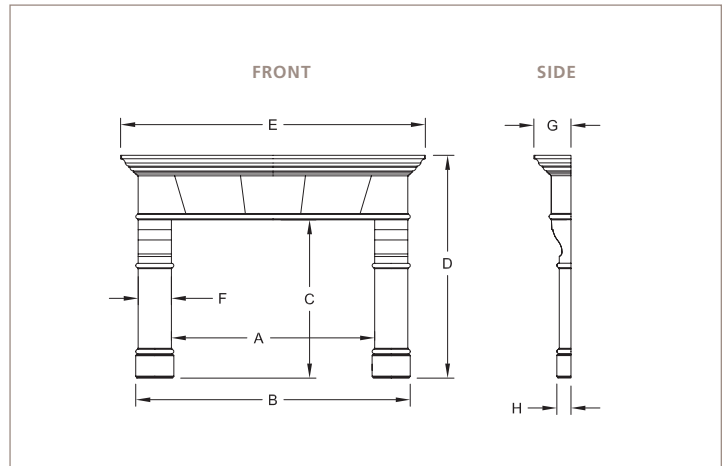
BILTMORE *with overmantel*



BILTMORE MANTEL AND CAST FACING WITH OVERMANTEL

	S OPENING WIDTH	T OUTSIDE WIDTH	U OPENING HEIGHT	V OUTSIDE HEIGHT	X LEG WIDTH	Y SHELF DEPTH	Z LEG DEPTH
BILTMORE OVERMANTEL	52"	66"	42"	50"	7"	3-1/2"	3"

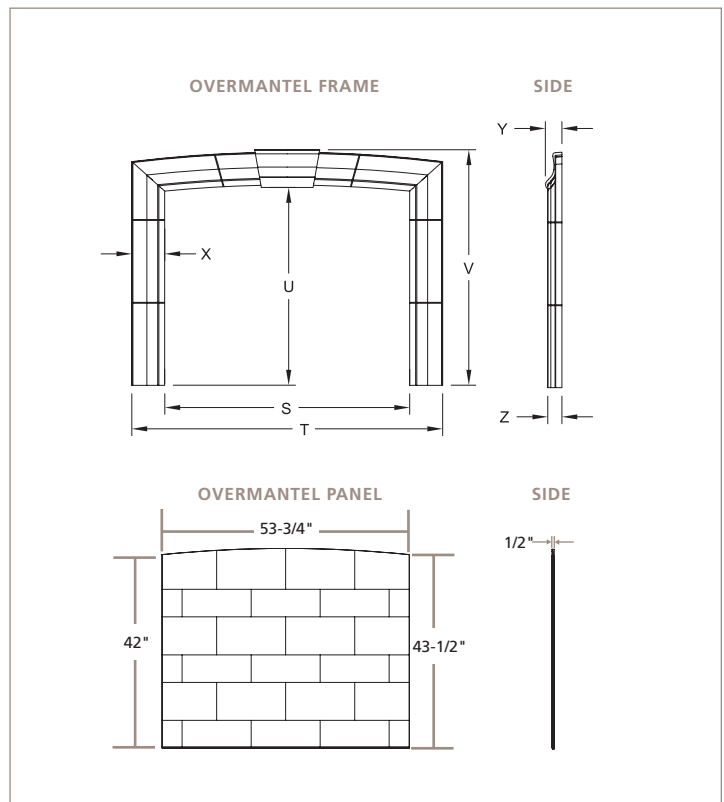
HEARST



HEARST MANTEL WITH CAST FACING

	A OPENING WIDTH	B OUTSIDE WIDTH	C OPENING HEIGHT	D OUTSIDE HEIGHT	E TOP WIDTH	F LEG WIDTH	G SHELF DEPTH	H LEG DEPTH
HEARST	52"	69-3/4"	40-1/2"	57"	78"	8-1/2"	9-1/2"	3-5/8"

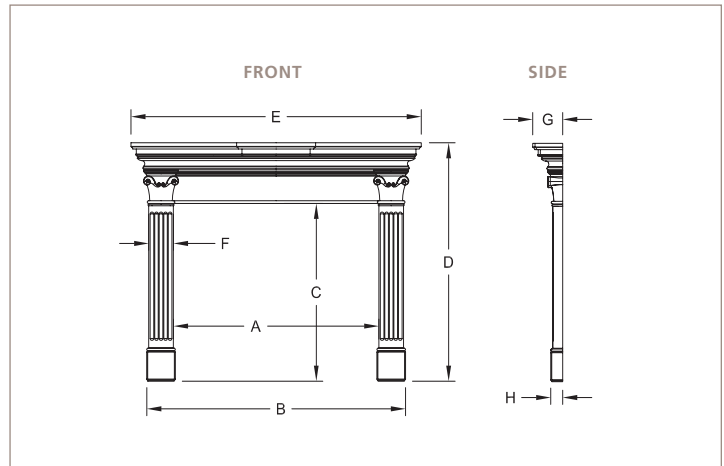
HEARST *with overmantel*



HEARST MANTEL AND CAST FACING WITH OVERMANTEL

	S OPENING WIDTH	T OUTSIDE WIDTH	U OPENING HEIGHT	V OUTSIDE HEIGHT	X LEG WIDTH	Y SHELF DEPTH	Z LEG DEPTH
HEARST OVERMANTEL	52"	66"	42"	50"	7"	3-1/2"	3"

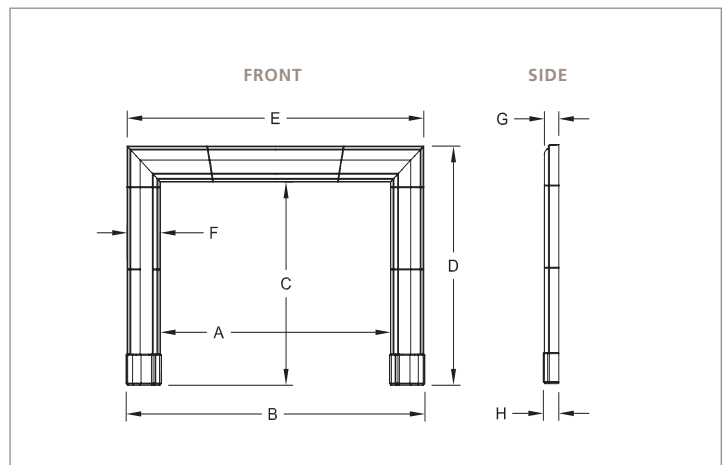
PAROS



PAROS MANTEL WITH CAST FACING

	A OPENING WIDTH	B OUTSIDE WIDTH	C OPENING HEIGHT	D OUTSIDE HEIGHT	E TOP WIDTH	F LEG WIDTH	G SHELF DEPTH	H LEG DEPTH
PAROS	52"	65-1/2"	42-1/2"	57"	73-1/2"	6-1/4"	7-9/16"	3"

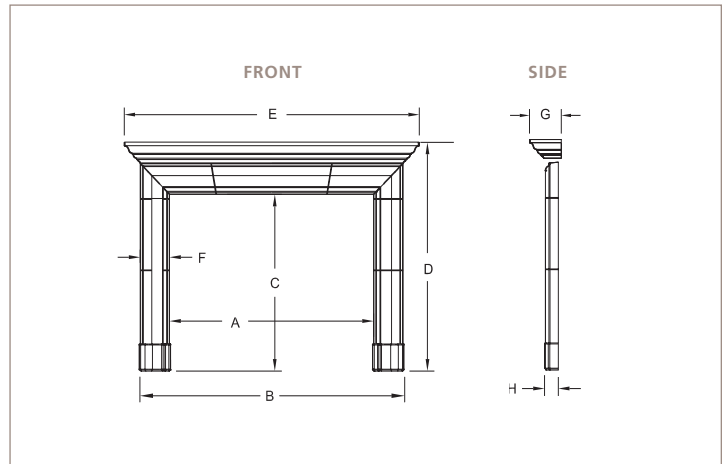
SEDONA



SEDONA MANTEL WITH CAST FACING

	A OPENING WIDTH	B OUTSIDE WIDTH	C OPENING HEIGHT	D OUTSIDE HEIGHT	E TOP WIDTH	F LEG WIDTH	G SHELF DEPTH	H LEG DEPTH
SEDONA	52"	67-1/2"	42-1/2"	50"	67"	7-1/2"	3-1/4"	3-1/2"

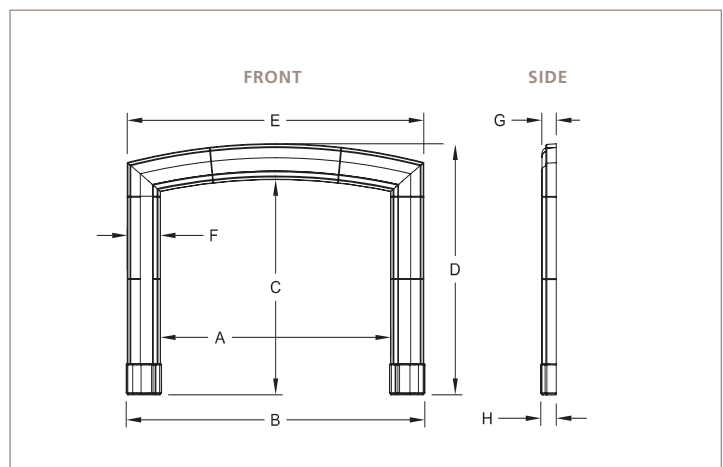
HARTFORD SEDONA MANTEL & ENGLEWOOD SHELF COMBINED



HARTFORD MANTEL WITH CAST FACING

	A OPENING WIDTH	B OUTSIDE WIDTH	C OPENING HEIGHT	D OUTSIDE HEIGHT	E TOP WIDTH	F LEG WIDTH	G SHELF DEPTH	H LEG DEPTH
HARTFORD	52"	67-1/2"	42-1/2"	55-1/4"	78"	7-1/2"	9-1/2"	3-1/2"

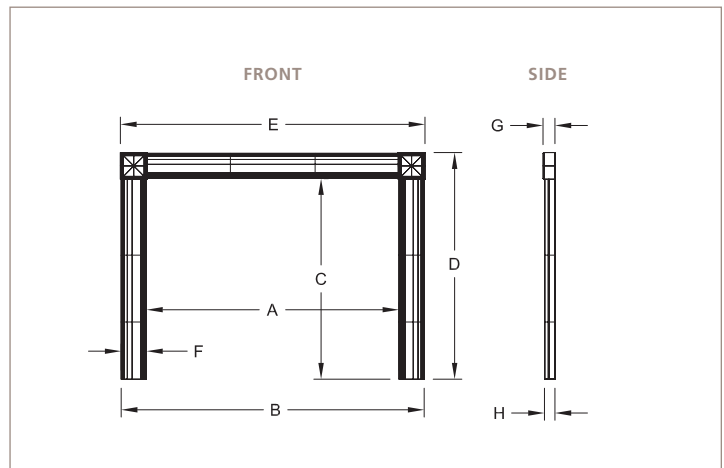
RENO



RENO MANTEL WITH CAST FACING

	A OPENING WIDTH	B OUTSIDE WIDTH	C OPENING HEIGHT	D OUTSIDE HEIGHT	E TOP WIDTH	F LEG WIDTH	G SHELF DEPTH	H LEG DEPTH
RENO	52"	67-1/2"	45	52-1/2"	67	7-1/2"	3-1/4"	3-1/2"

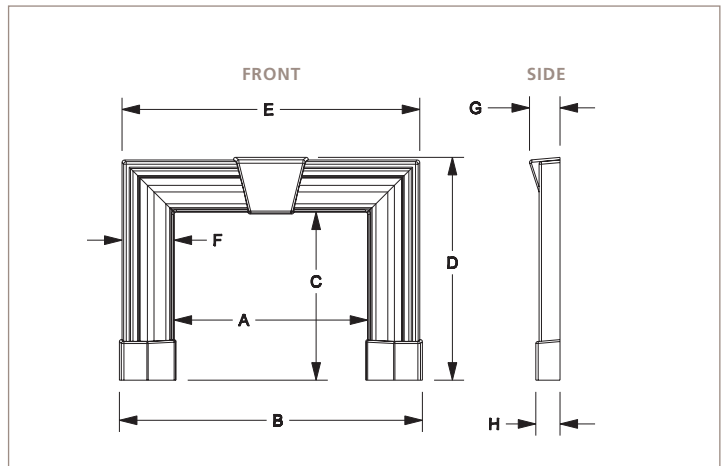
CAROLINA



CAROLINA MANTEL

	A OPENING WIDTH	B OUTSIDE WIDTH	C OPENING HEIGHT	D OUTSIDE HEIGHT	E TOP WIDTH	F LEG WIDTH	G SHELF DEPTH	H LEG DEPTH
CAROLINA	42-1/2"	51"	33-3/4"	38-1/8"	51-1/4"	4-1/4"	2"	1-3/4"

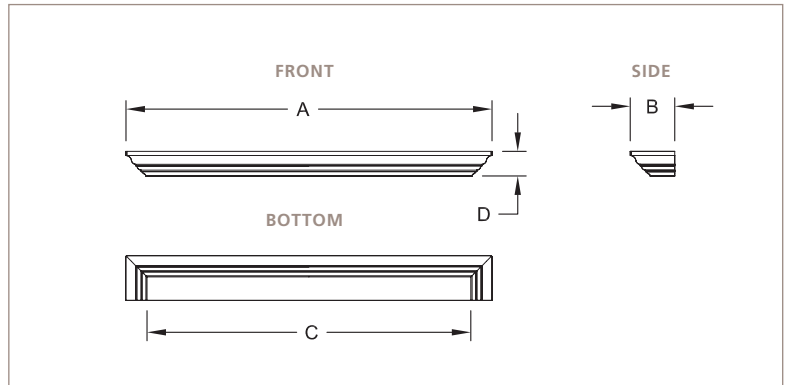
ANNAPOLIS



ANNAPOLIS MANTEL

	A OPENING WIDTH	B OUTSIDE WIDTH	C OPENING HEIGHT	D OUTSIDE HEIGHT	E TOP WIDTH	F LEG WIDTH	G SHELF DEPTH	H LEG DEPTH
ANNAPOLIS	37" MIN 44" MAX	57-7/8" MIN 64-7/8" MAX	32-1/8" MIN 38-1/8" MAX	42-5/8" MIN 48-5/8" MAX	56-7/8" MIN 63-7/8" MAX	9-7/8"	5-7/8"	4-5/8"

ENGLEWOOD *shelf*



	A SHELF WIDTH	B SHELF DEPTH	C BOTTOM DEPTH	D HEIGHT
ENGLEWOOD	78"	9-1/2"	69"	5-1/4"

WOOD MANTELS & SHELVES

WHAT INSPIRES YOU? The grandeur of Greco-Roman architecture? The smooth warmth of sunlit wood? Whatever your inspiration, Fireside Furnishings™ can help you create the hearth of your dreams. We are the preferred supplier of mantelpieces and cabinetry to complement your fireplace. A part of Hearth & Home Technologies since 2000, Fireside Furnishings offers you distinctive wood mantels and shelves you won't find anywhere else.

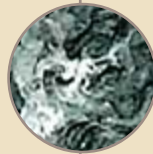
1.



SELECT A MANTEL

With an eclectic assortment of styles, you'll find the perfect mantel for your hearth system. Fireside Furnishings' experienced craftsmen use only the finest materials, woodworking skills and the most advanced technology. The result is the highest quality mantel with an impressive range of styles, so your design choices are virtually limitless.

2.



MATCH YOUR FACING

Harmonize with a facing that fits the look and feel of your hearth. We import slate, granite and marble in extraordinary colors to complement any décor. Every surround is ready-to-assemble and offers easy, trouble-free installation.

3.



FINISH YOUR HEARTH

Our selection of finishes adds timeless elegance and distinct panache to your hearth. Whether you choose the warmth of sumptuous wood or prefer to paint your mantel, we'll help you finish your hearth with style.



MANTEL FINISHES

OAK



AUBURN



NATURAL



HONEY



UNFINISHED

MAPLE



AUBURN



NATURAL



UNFINISHED

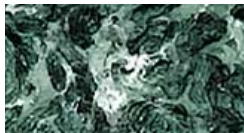
WOOD FIBER



*PRIMED

*MOST WOOD PRODUCTS ARE AVAILABLE IN OAK, MAPLE AND MDF IN THESE STAINS. IF WOOD TYPE OR SIZE IS NOT LISTED, PLEASE CHECK WITH YOUR LOCAL DEALER FOR A CUSTOM QUOTE.

STONE FACINGS



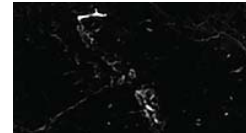
GREEN MARBLE



BEIGE MARBLE



WHITE MARBLE



BLACK MARBLE



MARRON BROWN MARBLE



GREEN GRANITE



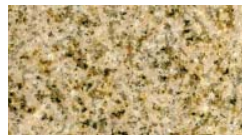
ABSOLUTE BLACK GRANITE



SLATE



TRAVERTINE



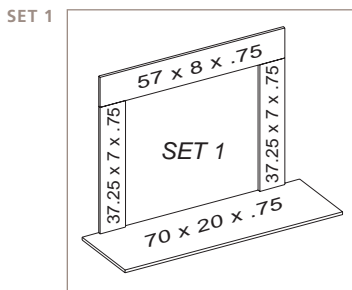
WHEATFIELD GRANITE



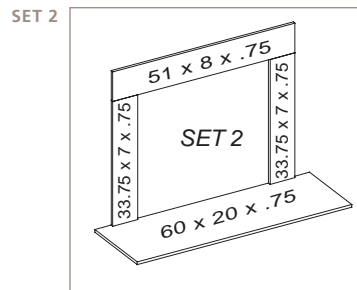
SALT & PEPPER GRANITE

STONE SETS

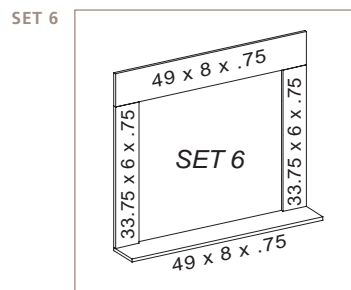
The timeless elegance of natural stone, from the world's finest quarries, is a striking accent to our wood mantels. Our quality stone facings and hearths are the perfect complement to your fireplace.



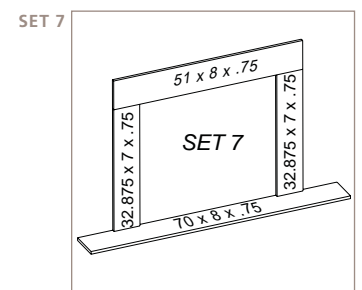
For use with 42" woodburning and gas fireplaces



For use with 36" woodburning and gas fireplaces



For use with 36" gas fireplaces



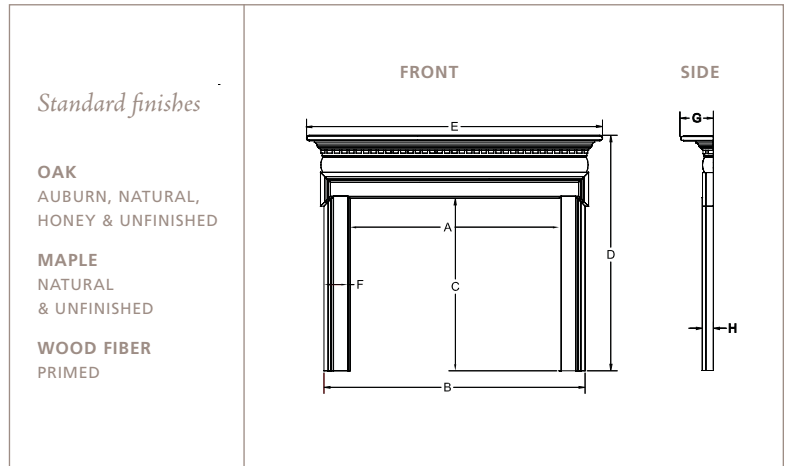
For use with 36" gas fireplaces

Stone sets can be cut to fit additional fireplace sizes. Dimensions on all drawings are in inches and for reference only. Please refer to installation manual for detailed specifications on installing this product. Mantel finishes and some facing colors are only a representation of the finished look and may not be an exact color match.

MT. VERNON



MT. VERNON MANTEL IN UNFINISHED MAPLE WITH BLACK MARBLE



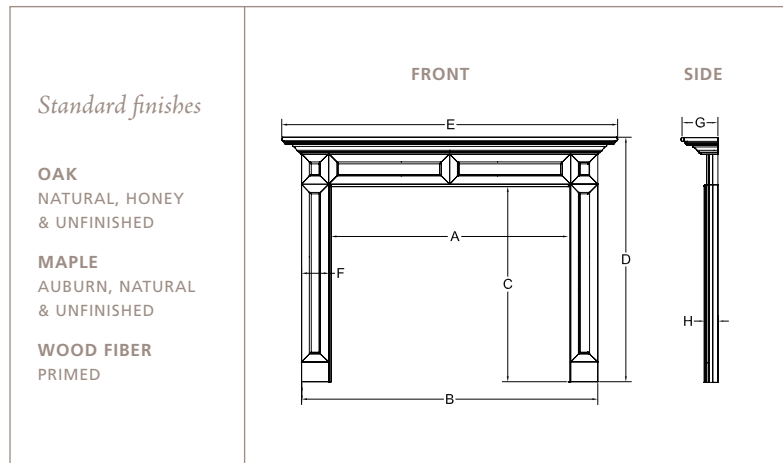
	A OPENING WIDTH	B OUTSIDE WIDTH	C OPENING HEIGHT	D OUTSIDE HEIGHT	E TOP WIDTH	F LEG WIDTH	G SHELF DEPTH		H LEG DEPTH		STONE SET
							1" RETURN	4" RETURN*	1" RETURN	4" RETURN*	
A SIZE	44"	56"	36-1/2"	51"	64"	5-1/2"	7-1/2"	—	2-7/16"	—	6
B SIZE	48"	60"	39-1/2"	54"	68"	5-1/2"	7-1/2"	10-1/2"	2-7/16"	5-7/16"	1, 2, 6, 7
C SIZE	53"	65"	42"	56-1/2"	73"	5-1/2"	7-1/2"	10-1/2"	2-7/16"	5-7/16"	1

*Applies to optional 4" return mantel. Dimensions subject to change without notice.

PLYMOUTH



PLYMOUTH MANTEL IN NATURAL MAPLE WITH GREEN MARBLE



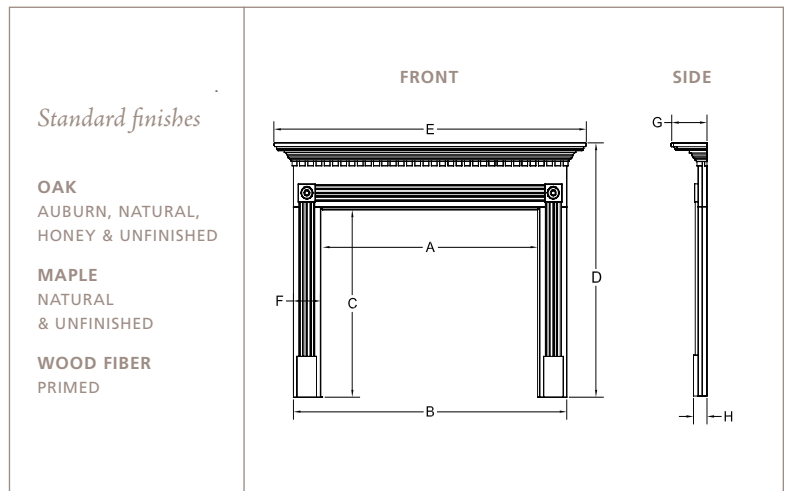
	A OPENING WIDTH	B OUTSIDE WIDTH	C OPENING HEIGHT	D OUTSIDE HEIGHT	E TOP WIDTH	F LEG WIDTH	G SHELF DEPTH	H LEG DEPTH	STONE SET
B SIZE	48"	60"	39-1/2"	49-1/2"	68"	5-1/2"	7-3/8"	2-3/16"	1, 2, 6, 7
C SIZE	53"	65"	42"	52"	73"	5-1/2"	7-3/8"	2-3/16"	1

Unless noted, inside return is 1" deep. Dimensions subject to change without notice.

ROSEVILLE



ROSEVILLE MANTEL IN AUBURN OAK FINISH WITH BEIGE MARBLE



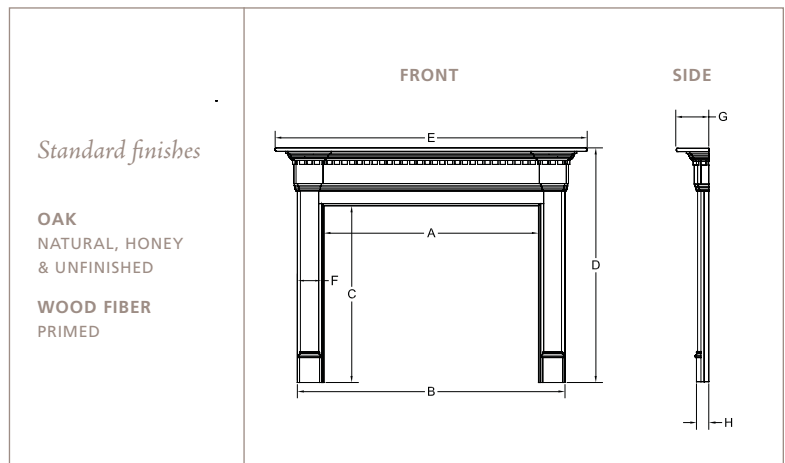
	A OPENING WIDTH	B OUTSIDE WIDTH	C OPENING HEIGHT	D OUTSIDE HEIGHT	E TOP WIDTH	F LEG WIDTH	G SHELF DEPTH	H LEG DEPTH	STONE SET
A SIZE	44"	56"	36-1/2"	49-1/2"	64"	5-1/2"	7-3/8"	2-3/4"	6
B SIZE	48"	60"	39-1/2"	52-1/2"	68"	5-1/2"	7-3/8"	2-3/4"	1, 2, 6, 7
C SIZE	53"	65"	42"	55"	73"	5-1/2"	7-3/8"	2-3/4"	1

Unless noted, inside return is 1" deep. Dimensions subject to change without notice.

ANDOVER



ANDOVER MANTEL IN NATURAL OAK WITH MARRON BROWN MARBLE



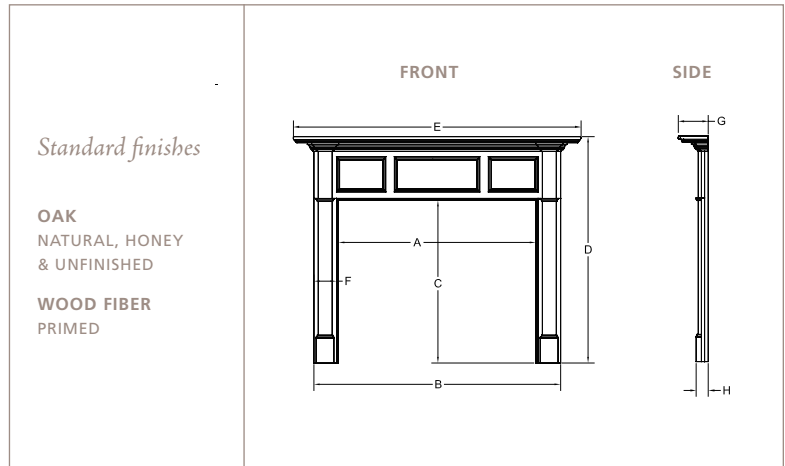
	A OPENING WIDTH	B OUTSIDE WIDTH	C OPENING HEIGHT	D OUTSIDE HEIGHT	E TOP WIDTH	F LEG WIDTH	G SHELF DEPTH	H LEG DEPTH	STONE SET
A SIZE	44"	56"	36-1/2"	48-3/4"	66"	5-1/2"	7-3/8"	2-3/4"	6
B SIZE	48"	60"	39-1/2"	51-3/4"	70"	5-1/2"	7-3/8"	2-3/4"	1, 2, 6, 7
C SIZE	53"	65"	42"	54-1/4"	75"	5-1/2"	7-3/8"	2-3/4"	1

Unless noted, inside return is 1" deep. Dimensions subject to change without notice.

BELAIR



BELAIR MANTEL IN PRIMED WITH BLACK MARBLE



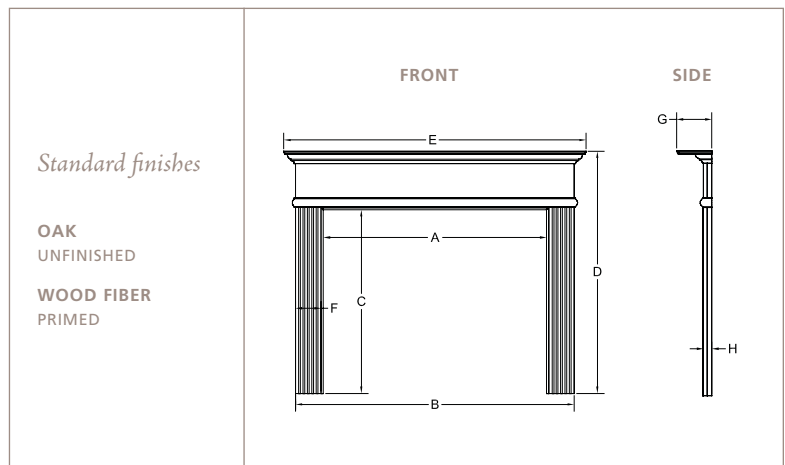
	A OPENING WIDTH	B OUTSIDE WIDTH	C OPENING HEIGHT	D OUTSIDE HEIGHT	E TOP WIDTH	F LEG WIDTH	G SHELF DEPTH	H LEG DEPTH	STONE SET
B SIZE	48"	60"	39-1/2"	55"	70"	5-1/2"	7-3/8"	3"	1, 2, 6, 7
C SIZE	53"	65"	42"	57-1/2"	75"	5-1/2"	7-3/8"	3"	1

Unless noted, inside return is 1" deep. Dimensions subject to change without notice.

BRIDGEPORT



BRIDGEPORT MANTEL IN UNFINISHED WITH BEIGE MARBLE



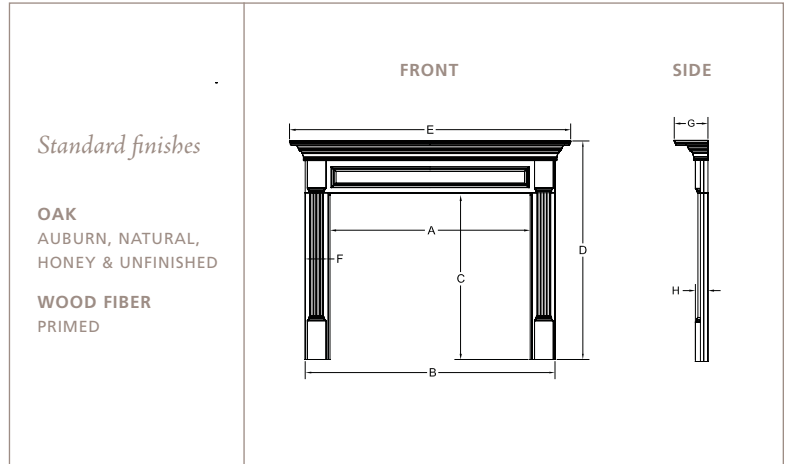
	A OPENING WIDTH	B OUTSIDE WIDTH	C OPENING HEIGHT	D OUTSIDE HEIGHT	E TOP WIDTH	F LEG WIDTH	G SHELF DEPTH	H LEG DEPTH	STONE SET
A SIZE	44"	56"	36-1/2"	49-3/32"	61"	5-1/2"	7-1/2"	1-15/16"	6
B SIZE	48"	60"	39-1/2"	52-3/32"	65"	5-1/2"	7-1/2"	1-15/16"	1, 2, 6, 7
C SIZE	53"	65"	42"	54-19/32"	70"	5-1/2"	7-1/2"	1-15/16"	1

Unless noted, inside return is 1" deep. Dimensions subject to change without notice.

FAIRFIELD



FAIRFIELD MANTEL IN PRIMED WITH GREEN GRANITE



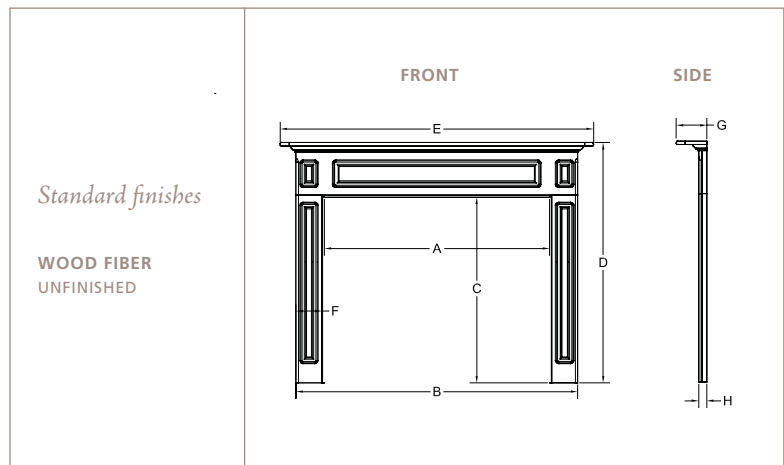
	A OPENING WIDTH	B OUTSIDE WIDTH	C OPENING HEIGHT	D OUTSIDE HEIGHT	E TOP WIDTH	F LEG WIDTH	G SHELF DEPTH	H LEG DEPTH	STONE SET
A SIZE	44"	56"	36-1/2"	48-3/4"	63-1/2"	5-1/2"	8"	2-3/4"	6
B SIZE	48"	60"	39-1/2"	51-3/4"	67-1/2"	5-1/2"	8"	2-3/4"	1, 2, 6, 7
C SIZE	53"	65"	42"	54-1/4"	72-1/2"	5-1/2"	8"	2-3/4"	1

Unless noted, inside return is 1" deep. Dimensions subject to change without notice.

GASTON



GASTON MANTEL WITH MARRON BROWN MARBLE



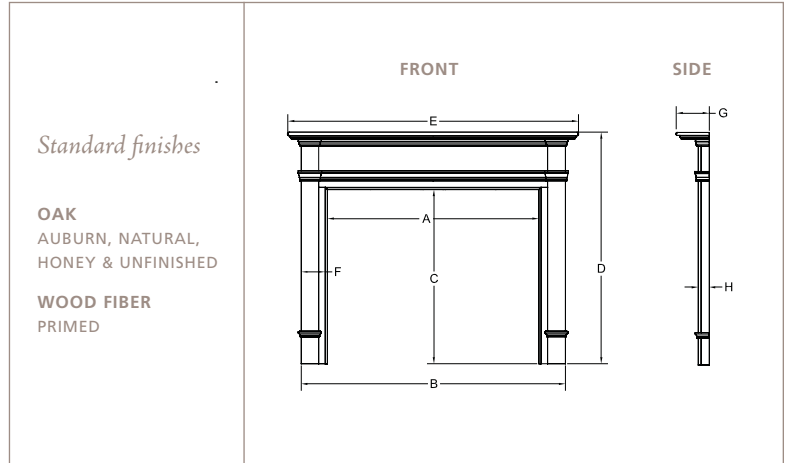
	A OPENING WIDTH	B OUTSIDE WIDTH	C OPENING HEIGHT	D OUTSIDE HEIGHT	E TOP WIDTH	F LEG WIDTH	G SHELF DEPTH	H LEG DEPTH	STONE SET
B SIZE	48"	60"	39-1/2"	51-1/8"	66-3/4"	5-1/2"	6-1/2"	1-3/4"	1, 2, 6, 7

Dimensions subject to change without notice.

HASTINGS



HASTINGS MANTEL IN AUBURN OAK WITH WHITE MARBLE



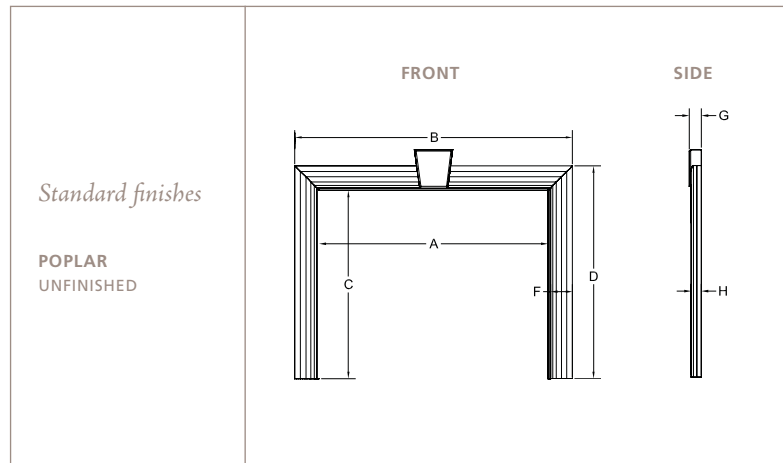
	A OPENING WIDTH	B OUTSIDE WIDTH	C OPENING HEIGHT	D OUTSIDE HEIGHT	E TOP WIDTH	F LEG WIDTH	G SHELF DEPTH	H LEG DEPTH	STONE SET
A SIZE	44"	56"	36-1/2"	49-1/2"	62"	5-1/2"	7-3/8"	2-1/2"	6
B SIZE	48"	60"	39-1/2"	52-1/2"	66"	5-1/2"	7-3/8"	2-1/2"	1, 2, 6, 7
C SIZE	53"	65"	42"	55"	71"	5-1/2"	7-3/8"	2-1/2"	1

Unless noted, inside return is 1" deep. Dimensions subject to change without notice.

MADISON



MADISON MANTEL WITH BLACK MARBLE



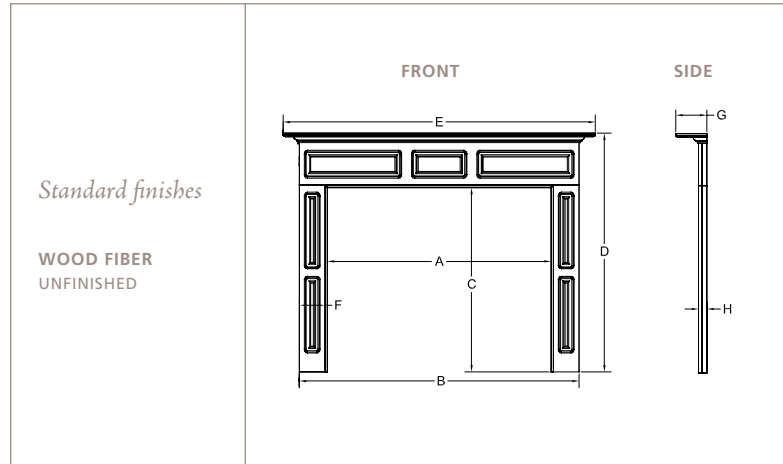
	A OPENING WIDTH	B OUTSIDE WIDTH	C OPENING HEIGHT	D OUTSIDE HEIGHT	F LEG WIDTH	G KEYSTONE DEPTH	H LEG DEPTH	STONE SET
A SIZE	44"	54-1/4"	36-1/2"	41-5/8"	4-5/8"	2-1/2"	2-1/8"	6
B SIZE	48"	58-1/4"	39-1/2"	44-5/8"	4-5/8"	2-1/2"	2-1/8"	1, 2, 6, 7
C SIZE	53"	63-1/4"	42"	47-1/8"	4-5/8"	2-1/2"	2-1/8"	1

Unless noted, inside return is 1" deep. Dimensions subject to change without notice.

MALIBU



MALIBU MANTEL WITH BEIGE MARBLE



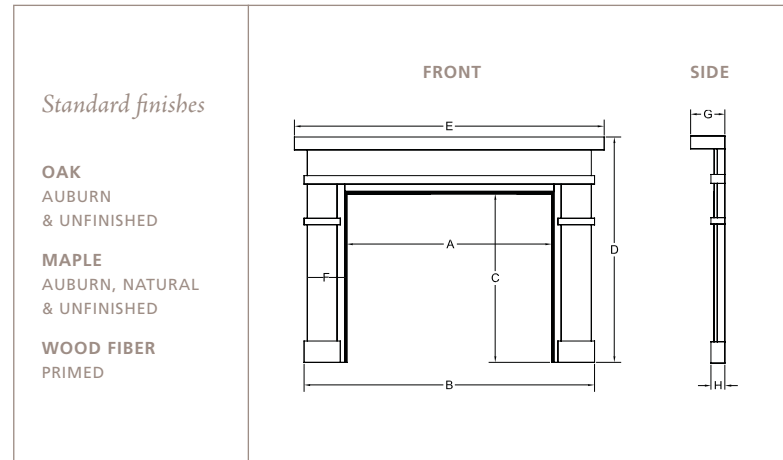
	A OPENING WIDTH	B OUTSIDE WIDTH	C OPENING HEIGHT	D OUTSIDE HEIGHT	E TOP WIDTH	F LEG WIDTH	G SHELF DEPTH	H LEG DEPTH	STONE SET
B SIZE	48"	60"	39-1/2"	51-1/8"	67"	5-1/2"	6-5/8"	1-3/4"	1, 2, 6, 7

Dimensions subject to change without notice.

MANHATTAN



MANHATTAN MANTEL IN AUBURN MAPLE WITH WHITE MARBLE



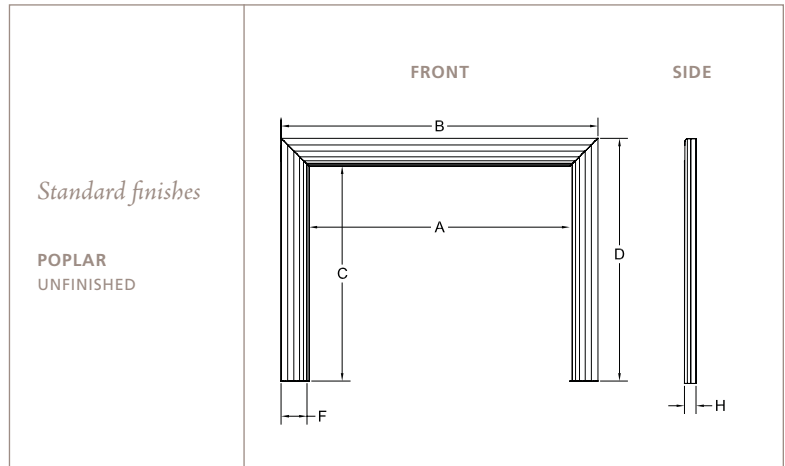
	A OPENING WIDTH	B OUTSIDE WIDTH	C OPENING HEIGHT	D OUTSIDE HEIGHT	E TOP WIDTH	F LEG WIDTH	G SHELF DEPTH	H LEG DEPTH	STONE SET
B SIZE	48"	65"	39-1/2"	52-3/4"	71"	8-1/2"	8"	3-1/4"	1
C SIZE	53"	70"	42"	55-1/4"	74-1/2"	8-1/2"	8"	3-1/4"	1

Dimensions subject to change without notice.

NEWPORT



NEWPORT MANTEL WITH GREEN MARBLE



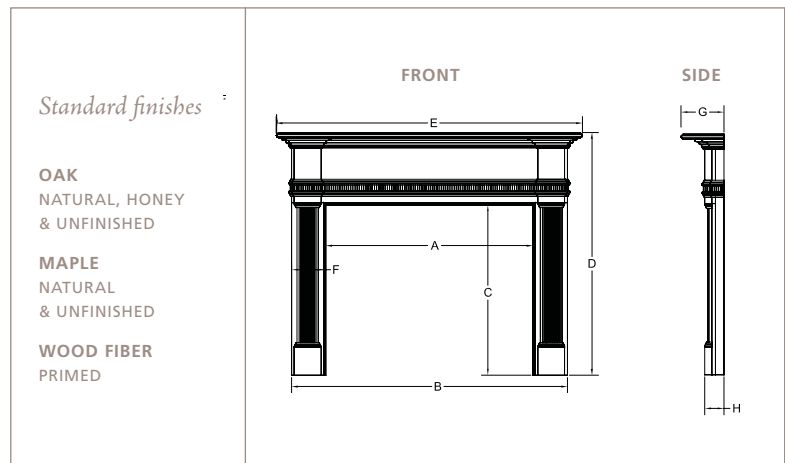
	A OPENING WIDTH	B OUTSIDE WIDTH	C OPENING HEIGHT	D OUTSIDE HEIGHT	F LEG WIDTH	H LEG DEPTH	STONE SET
A SIZE	44"	54-1/4"	36-1/2"	41-5/8"	4-5/8"	2-1/8"	6
B SIZE	48"	58-1/4"	39-1/2"	44-5/8"	4-5/8"	2-1/8"	1, 2, 6, 7
C SIZE	53"	63-1/4"	42"	47-1/8"	4-5/8"	2-1/8"	1

Unless noted, inside return is 1" deep. Dimensions subject to change without notice.

PHILLIPS HALL



PHILLIPS HALL MANTEL IN HONEY OAK WITH MARRON BROWN MARBLE



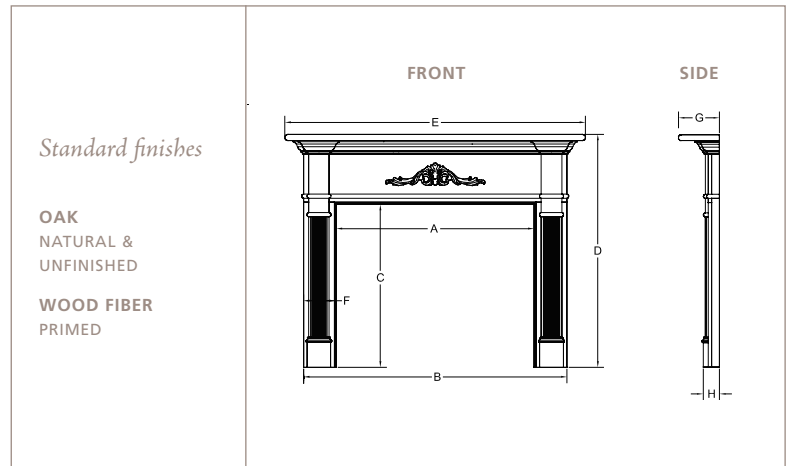
	A OPENING WIDTH	B OUTSIDE WIDTH	C OPENING HEIGHT	D OUTSIDE HEIGHT	E TOP WIDTH	F LEG WIDTH	G SHELF DEPTH	H LEG DEPTH	STONE SET
B SIZE	48"	64"	39-1/2"	56-1/4"	71"	7-1/2"	10"	4-1/2"	1
C SIZE	53"	68"	42"	58-3/4"	76"	7-1/2"	10"	4-1/2"	1

Inside return is 2" deep. Dimensions subject to change without notice.

SAVANNAH



SAVANNAH MANTEL IN PRIMED WITH MARRON BROWN MARBLE



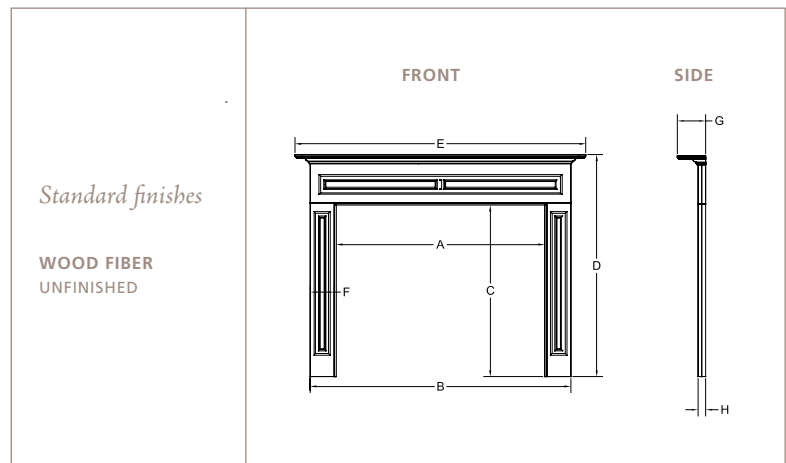
	A OPENING WIDTH	B OUTSIDE WIDTH	C OPENING HEIGHT	D OUTSIDE HEIGHT	E TOP WIDTH	F LEG WIDTH	G SHELF DEPTH	H LEG DEPTH	STONE SET
B SIZE	48"	64"	39-1/2"	56-1/2"	72-1/4"	7-1/2"	9-5/8"	4"	1
C SIZE	53"	68"	42"	59"	77-1/4"	7-1/2"	9-5/8"	4"	1

Inside return is 2" deep. Dimensions subject to change without notice.

ST. PETERSBURG



ST. PETERSBURG MANTEL WITH BLACK MARBLE



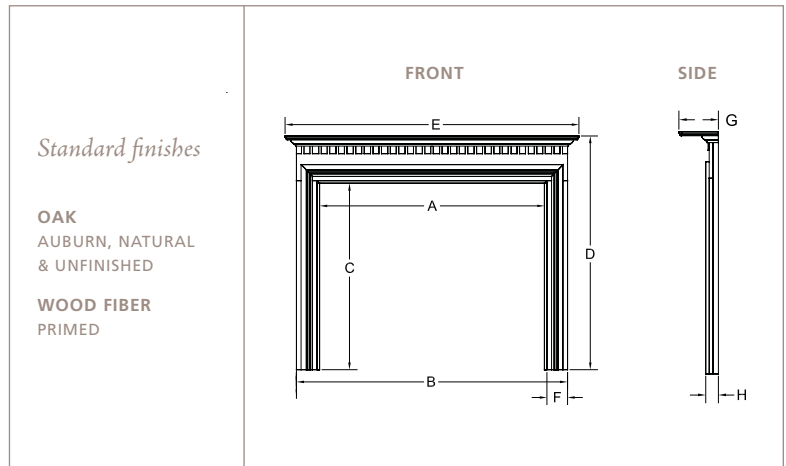
	A OPENING WIDTH	B OUTSIDE WIDTH	C OPENING HEIGHT	D OUTSIDE HEIGHT	E TOP WIDTH	F LEG WIDTH	G SHELF DEPTH	H LEG DEPTH	STONE SET
B SIZE	48"	60"	39-1/2"	51-1/8"	67"	5-1/2"	6-5/8"	1-3/4"	1, 2, 6, 7

Dimensions subject to change without notice.

WINCHESTER



WINCHESTER MANTEL IN AUBURN OAK WITH BEIGE MARBLE



Standard finishes

OAK
AUBURN, NATURAL
& UNFINISHED

WOOD FIBER
PRIMED

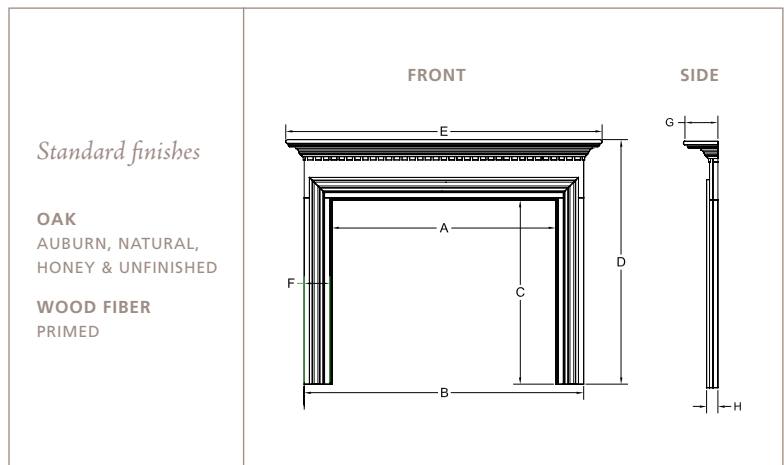
	A OPENING WIDTH	B OUTSIDE WIDTH	C OPENING HEIGHT	D OUTSIDE HEIGHT	E TOP WIDTH	F LEG WIDTH	G SHELF DEPTH	H LEG DEPTH	STONE SET
A SIZE	44"	53"	36-1/2"	45-3/4"	57-1/2"	4"	7-1/2"	2-7/16"	6
B SIZE	48"	57"	39-1/2"	48-3/4"	61-1/2"	4"	7-1/2"	2-7/16"	1, 2, 6, 7
C SIZE	53"	62"	42"	51-1/4"	66-1/2"	4"	7-1/2"	2-7/16"	1

Unless noted, inside return is 1" deep. Dimensions subject to change without notice.

YORKTOWN



YORKTOWN MANTEL IN HONEY OAK WITH GREEN MARBLE



Standard finishes

OAK
AUBURN, NATURAL,
HONEY & UNFINISHED

WOOD FIBER
PRIMED

	A OPENING WIDTH	B OUTSIDE WIDTH	C OPENING HEIGHT	D OUTSIDE HEIGHT	E TOP WIDTH	F LEG WIDTH	G SHELF DEPTH	H LEG DEPTH	STONE SET
A SIZE	44"	56"	36-1/2"	49-1/2"	64"	5-1/2"	7-3/8"	2-7/16"	6
B SIZE	48"	60"	39-1/2"	52-1/2"	68"	5-1/2"	7-3/8"	2-7/16"	1, 2, 6, 7
C SIZE	53"	65"	42"	55"	73"	5-1/2"	7-3/8"	2-7/16"	1

Unless noted, inside return is 1" deep. Dimensions subject to change without notice.

AUGUSTA shelf



Available in 48", 59" & 72" widths

<p><i>Standard finishes</i></p> <p>OAK AUBURN, NATURAL, HONEY & UNFINISHED</p> <p>MAPLE AUBURN, NATURAL & UNFINISHED</p> <p>WOOD FIBER PRIMED</p>	<p>FRONT</p> <p>SIDE</p>
--	--

	A SHELF WIDTH	B SHELF DEPTH	C BOTTOM DEPTH	D HEIGHT
Augusta	48", 59" & 72"	8-11/16"	5-15/32"	7-13/16"

BAYFIELD shelf



Available in 48", 59" & 72" widths

<p><i>Available finishes</i></p> <p>OAK AUBURN, NATURAL, HONEY & UNFINISHED</p> <p>MAPLE AUBURN, NATURAL & UNFINISHED</p> <p>WOOD FIBER PRIMED</p>	<p>FRONT</p> <p>SIDE</p>
---	--

	A SHELF WIDTH	B SHELF DEPTH	C BOTTOM DEPTH	D HEIGHT
Bayfield	48", 59" & 72"	9-3/8"	5-1/2"	4-9/16"

BENNINGTON shelf



Available in 48", 59" & 72" widths

<p><i>Available finishes</i></p> <p>OAK AUBURN, NATURAL, HONEY & UNFINISHED</p> <p>MAPLE AUBURN, NATURAL & UNFINISHED</p>	<p>FRONT</p> <p>SIDE</p>
---	--

	A SHELF WIDTH	B SHELF DEPTH	BOTTOM DEPTH	D HEIGHT
Bennington	48", 59" & 72"	8"	6"	6"

BERKELEY shelf



Standard finishes

OAK
NATURAL, HONEY & UNFINISHED

PAINT GRADE
UNFINISHED

FRONT

SIDE

Available in 48", 59" & 72" widths

	A SHELF WIDTH	B SHELF DEPTH	D HEIGHT
Berkeley	48", 59" & 72"	8"	5"

COVINGTON shelf



Standard finishes

OAK
AUBURN, NATURAL, HONEY & UNFINISHED

WOOD FIBER
PRIMED

FRONT

SIDE

Available in 48", 59" & 72" widths

	A SHELF WIDTH	B SHELF DEPTH	C BOTTOM DEPTH	D HEIGHT
Covington	48", 59" & 72"	9-3/8"	5-1/2"	4-1/16"

DREXEL shelf



Standard finishes

OAK
UNFINISHED

WOOD FIBER
PRIMED

FRONT

SIDE

Available in 48", 59" & 72" widths

	A SHELF WIDTH	B SHELF DEPTH	C BOTTOM DEPTH	D HEIGHT
Drexel	48", 59" & 72"	7-1/2"	2-3/16"	5"

SIERRA shelf



<p><i>Standard finishes</i></p> <p>CEDAR NATURAL</p>	<p>FRONT</p>	<p>SIDE</p>
	<p>* SINCE EACH SHELF IS MADE FROM ACTUAL WHITE CEDAR LOGS, SLIGHT VARIATIONS IN SIZE AND FINISH CAN BE EXPECTED.</p>	

Available in 60" & 72" widths

	A SHELF WIDTH	B SHELF DEPTH	D HEIGHT
Sierra	60" & 72"	8"-10"*	3"-5-1/2"*

ST. CLOUD shelf



<p><i>Standard finishes</i></p> <p>OAK AUBURN, NATURAL, HONEY & UNFINISHED</p> <p>MAPLE UNFINISHED</p>	<p>FRONT</p>	<p>SIDE</p>
	<p>* SINCE EACH SHELF IS MADE FROM ACTUAL WHITE CEDAR LOGS, SLIGHT VARIATIONS IN SIZE AND FINISH CAN BE EXPECTED.</p>	

Available in 59" & 72" widths

	A SHELF WIDTH	B SHELF DEPTH	D HEIGHT	E SHELF THICKNESS
St. Cloud	59" & 72"	12"	12-1/2"	5-1/4"

SUTTON shelf



<p><i>Standard finishes</i></p> <p>PAINT GRADE UNFINISHED</p> <p>OAK UNFINISHED</p>	<p>FRONT</p>	<p>SIDE</p>
	<p>* SINCE EACH SHELF IS MADE FROM ACTUAL WHITE CEDAR LOGS, SLIGHT VARIATIONS IN SIZE AND FINISH CAN BE EXPECTED.</p>	

Available in 48", 59" & 72" widths

	A WIDTH	B SHELF DEPTH	D HEIGHT	E SHELF THICKNESS
Sutton	48", 59" & 72"	8"	10-19/32"	2-19/32"

WOOD CABINETS & WALL SYSTEMS

LUXURY. AFFORDABILITY. GOOD LIVING. There's nothing like the beauty and quintessence of real wood. Fireside Furnishings™ offers stylish wood cabinets and wall systems for your fireplace—big enough to hold cherished possessions, enchanting enough to become a focal point, practical enough to provide handsome storage space. Easy set-up and sizes that uniquely fit most installation applications make these cabinet and wall systems a perfect choice for your home. A part of Hearth & Home Technologies since 2000, we are the preferred supplier of cabinetry and wall systems to complement your fireplace.

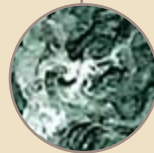
1.



SELECT A CABINET OR WALL SYSTEM

Fireside Furnishings' experienced craftspeople use only the finest materials and the most advanced technology. The result is the highest quality cabinet or wall system with an impressive range of styles, so your design choices are virtually limitless.

2.



MATCH YOUR FACING

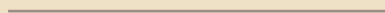
Harmonize with a facing that fits the look and feel of your hearth. We import slate, granite and marble in extraordinary colors to complement any décor.

3.



FINISH YOUR HEARTH

Our selection of finishes adds timeless elegance and distinct panache to your hearth. Whether you choose the warmth of sumptuous wood or prefer to paint your cabinet or wall system, we'll help you finish it with style.



MANTEL FINISHES

OAK



AUBURN



NATURAL



HONEY



UNFINISHED

MAPLE



AUBURN



NATURAL



UNFINISHED

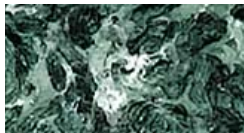
WOOD FIBER



*PRIMED

*MOST WOOD PRODUCTS ARE AVAILABLE IN OAK, MAPLE AND MDF IN THESE STAINS. IF WOOD TYPE OR SIZE IS NOT LISTED, PLEASE CHECK WITH YOUR LOCAL DEALER FOR A CUSTOM QUOTE.

STONE FACINGS



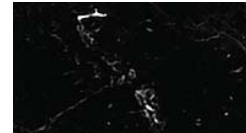
GREEN MARBLE



BEIGE MARBLE



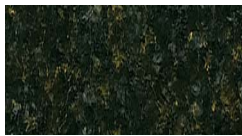
WHITE MARBLE



BLACK MARBLE



MARRON BROWN MARBLE



GREEN GRANITE



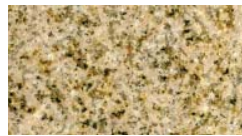
ABSOLUTE BLACK GRANITE



SLATE



TRAVERTINE



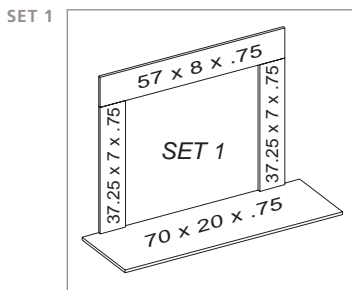
WHEATFIELD GRANITE



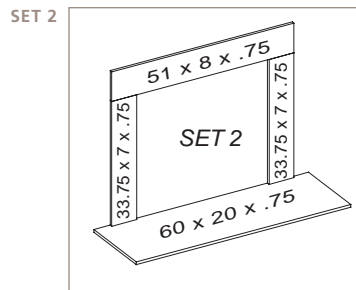
SALT & PEPPER GRANITE

STONE SETS

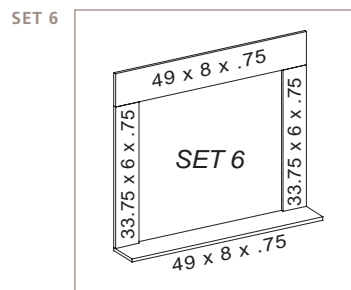
The timeless elegance of natural stone, from the world's finest quarries, is a striking accent to our wood mantels. Our quality stone facings and hearths are the perfect complement to your fireplace.



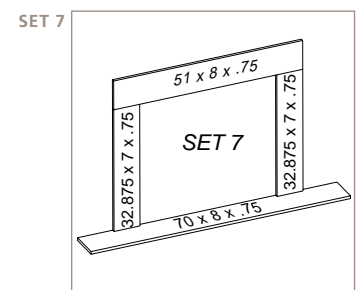
For use with 42" woodburning and gas fireplaces



For use with 36" woodburning and gas fireplaces



For use with 36" gas fireplaces



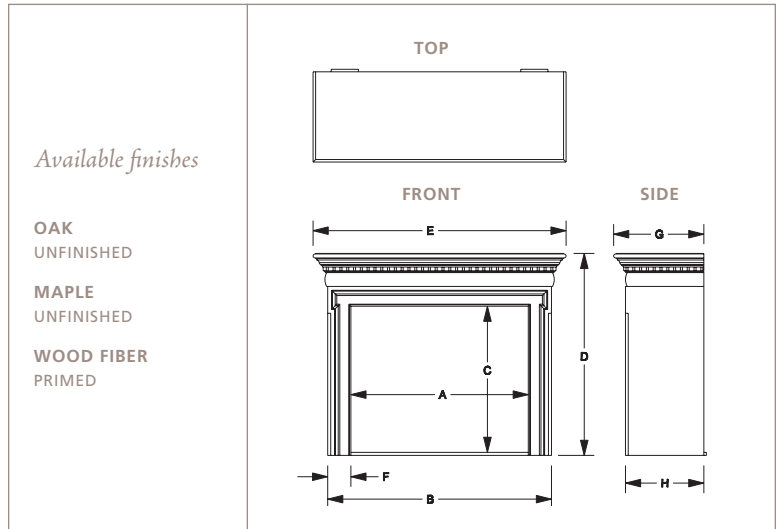
For use with 36" gas fireplaces

Stone sets can be cut to fit additional fireplace sizes. Dimensions on all drawings are in inches and for reference only. Please refer to installation manual for detailed specifications on installing this product. Mantel finishes and some facing colors are only a representation of the finished look and may not be an exact color match.

MOUNT VERNON *wall cabinet*



MOUNT VERNON WALL CABINET WITH BLACK MARBLE

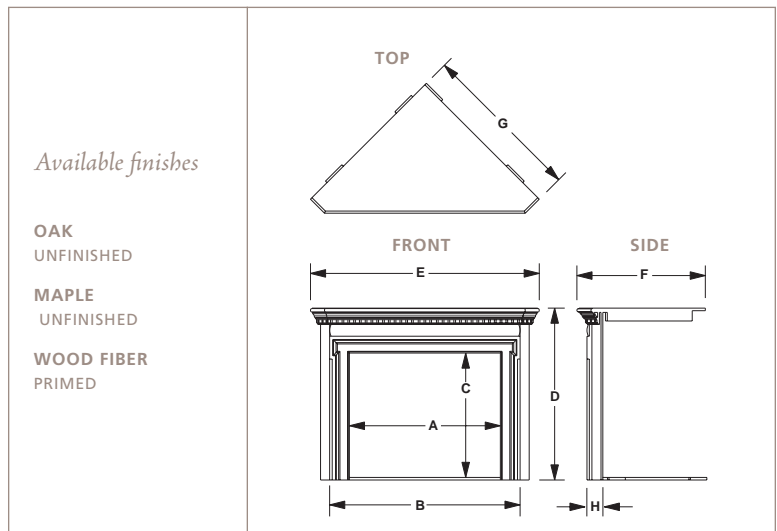


	A OPENING WIDTH	B OUTSIDE WIDTH	C OPENING HEIGHT	D OUTSIDE HEIGHT	E TOP WIDTH	F LEG WIDTH	G SHELF DEPTH	H RETURN DEPTH	STONE SET
44SB	44"	55-1/2"	36-1/4"	50-3/32"	62-3/4"	5-3/4"	22-3/8"	19-7/16"	6
48SB	48"	60"	39-1/2"	53-5/16"	67-1/4"	6"	22-3/8"	19-7/16"	6
48DB	48"	60"	39-1/2"	53-5/16"	67-1/4"	6"	28-7/8"	25-15/16"	6

MOUNT VERNON *corner cabinet*



MOUNT VERNON CORNER CABINET WITH BLACK MARBLE

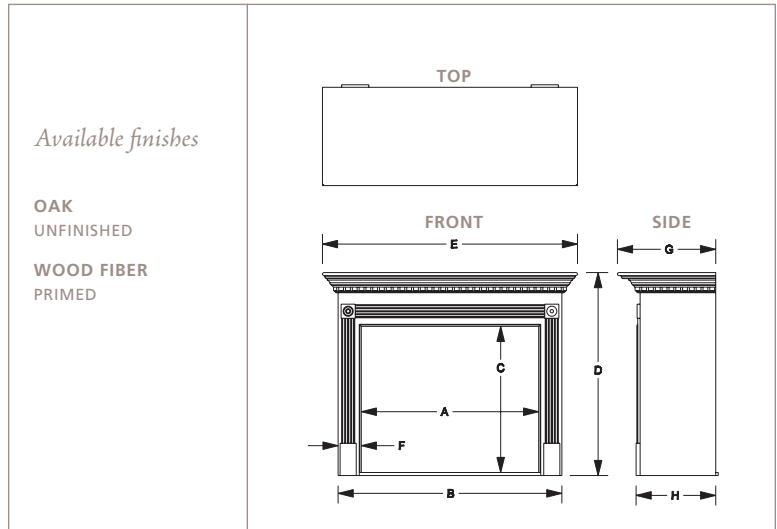


	A OPENING WIDTH	B OUTSIDE WIDTH	C OPENING HEIGHT	D OUTSIDE HEIGHT	E TOP WIDTH	F TOP DEPTH	G SHELF DEPTH (ALONG WALL)	H LEG DEPTH	STONE SET
48DB	48"	60"	39-1/2"	53-11/32"	74-1/64"	42-1/2"	52-21/64"	6"	6

ROSEVILLE wall cabinet



ROSEVILLE WALL CABINET WITH WHITE MARBLE

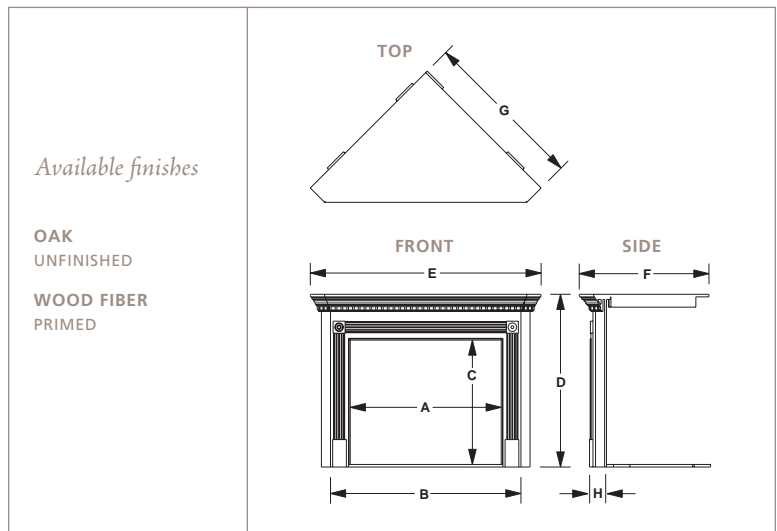


	A OPENING WIDTH	B OUTSIDE WIDTH	C OPENING HEIGHT	D OUTSIDE HEIGHT	E TOP WIDTH	F LEG WIDTH	G SHELF DEPTH	H RETURN DEPTH	STONE SET
44SB	44"	55-1/2"	36-1/4"	55-11/32"	63-1/4"	5-1/4"	24-3/8"	19-3/4"	6
48SB	48"	60"	39-1/2"	53-19/32"	68"	5-1/2"	24-3/8"	19-3/4"	6
48DB	48"	60"	39-1/2"	53-19/32"	68"	5-1/2"	30-7/8"	26-1/4"	6
42HB	42"	54"	39-1/2"	53-19/32"	62"	5-1/2"	28-3/8"	23-3/4"	6
44HB	44"	56"	39-1/2"	53-19/32"	64"	5-1/2"	28-3/8"	23-3/4"	6

ROSEVILLE corner cabinet



ROSEVILLE CORNER CABINET WITH BASE AND WHITE MARBLE

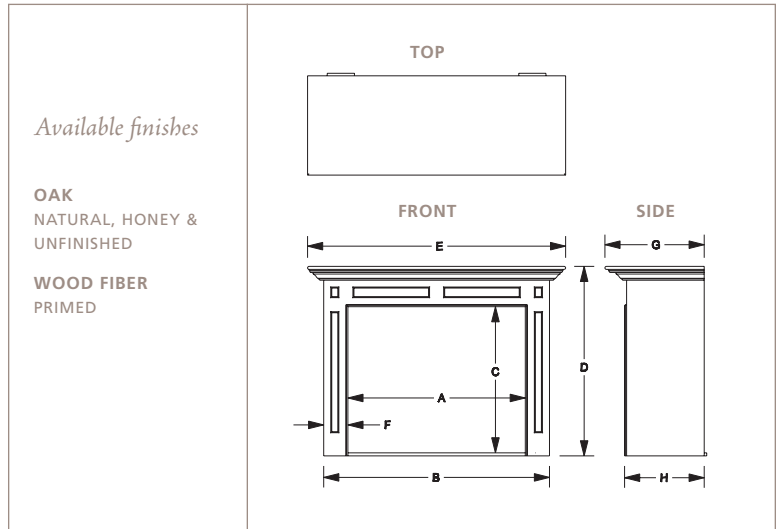


	A OPENING WIDTH	B OUTSIDE WIDTH	C OPENING HEIGHT	D OUTSIDE HEIGHT	E TOP WIDTH	F TOP DEPTH	G SHELF DEPTH (ALONG WALL)	H LEG DEPTH	STONE SET
44SB	44"	55-1/2"	36-1/4"	50-5/16"	67-3/8"	37-15/16"	43"	4-15/16"	6
48DB	48"	60"	39-1/2"	53-9/16"	74-3/8"	42-1/2"	52-9/16"	6"	6
42HB	42"	54"	39-1/2"	53-19/32"	62-25/32"	37-1/16"	46-18/32"	5-1/2"	6
44HB	44"	56"	39-1/2"	53-19/32"	67-23/32"	38-1/16"	47-15/16"	5-1/2"	6

PLYMOUTH *wall cabinet*



PLYMOUTH WALL CABINET WITH GREEN GRANITE

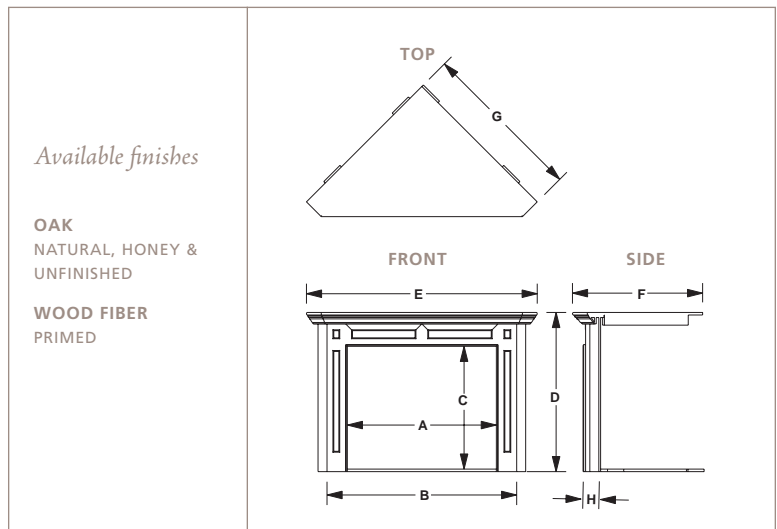


	A OPENING WIDTH	B OUTSIDE WIDTH	C OPENING HEIGHT	D OUTSIDE HEIGHT	E TOP WIDTH	F LEG WIDTH	G SHELF DEPTH	H RETURN DEPTH	STONE SET
44SB	44"	56"	36-1/4"	48"	64"	5-1/2"	24-5/8"	19-1/4"	6
48SB	48"	60"	39-1/2"	50-1/4"	68"	5-1/2"	24-5/8"	19-1/4"	6
48DB	48"	60"	39-1/2"	50-1/4"	68"	5-1/2"	31-1/8"	25-3/4"	6
42HB	42"	54"	39-1/2"	53-19/32"	62"	5-1/2"	28-5/8"	23-1/4"	6
44HB	44"	56"	39-1/2"	53-19/32"	64"	5-1/2"	28-5/8"	23-1/4"	6

PLYMOUTH *corner cabinet*



PLYMOUTH CORNER CABINET WITH GREEN GRANITE

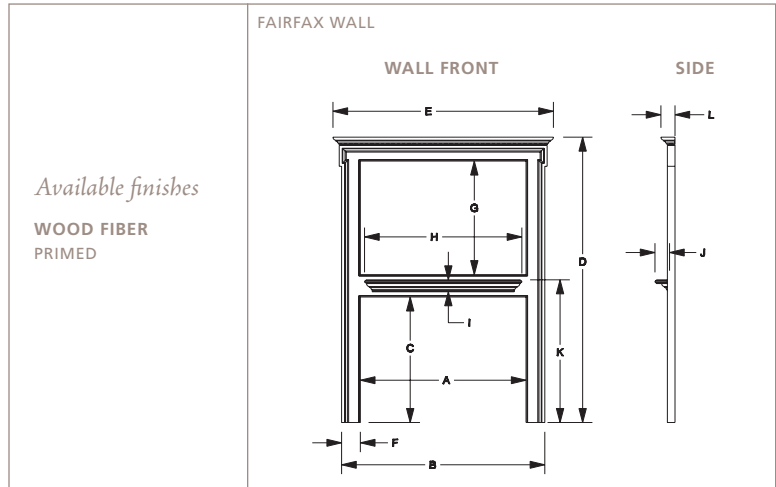


	A OPENING WIDTH	B OUTSIDE WIDTH	C OPENING HEIGHT	D OUTSIDE HEIGHT	E TOP WIDTH	F TOP DEPTH	G SHELF DEPTH (ALONG WALL)	H LEG DEPTH	STONE SET
44SB	44"	56"	36-1/4"	56"	68-1/8"	38-7/16"	48-3/16"	5-1/2"	6
48DB	48"	60"	39-1/2"	50-1/4"	74-15/16"	43-1/4"	53"	5-1/2"	6

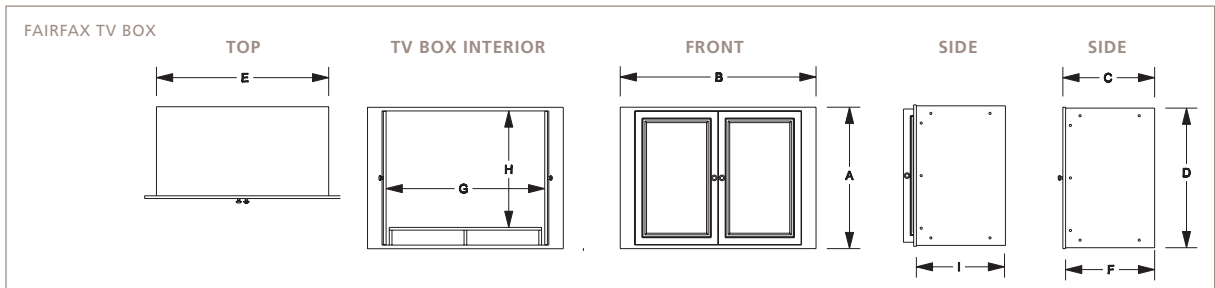
FAIRFAX wall cabinet



FAIRFAX CABINET AND T.V. BOX WITH ABSOLUTE BLACK GRANITE



	A OPENING WIDTH	B OUTSIDE WIDTH	C OPENING HEIGHT	D OUTSIDE HEIGHT	E TOP WIDTH	F LEG WIDTH	G HEIGHT	H SHELF WIDTH	I SHELF HEIGHT	J SHELF DEPTH	K SHELF LOCATION	L TOP SHELF DEPTH	STONE SET
8' B SIZE	48"	60"	39-1/2"	95-1/2"	65-1/2"	6"	38"	48"	4"	4-11/16"	45-1/4"	4-1/2"	1, 2, 6, 7
9' B SIZE	48"	60"	39-1/2"	107-1/2"	65-1/2"	6"	38"	48"	4"	4-11/16"	46-7/8"	4-1/2"	1, 2, 6, 7
8' C SIZE	53"	65"	42"	95-1/2"	70-1/2"	6"	38"	50-5/16"	4"	4-11/16"	47-3/4"	4-1/2"	1
9' C SIZE	53"	65"	42"	107-1/2"	70-1/2"	6"	38"	50-5/16"	4"	4-11/16"	49-3/8"	4-1/2"	1

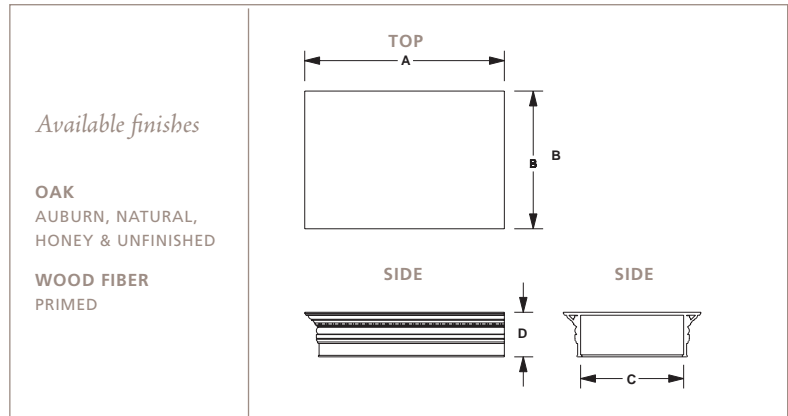


	A OUTSIDE HEIGHT	B OUTSIDE WIDTH	C OUTSIDE DEPTH	D CABINET HEIGHT	E CABINET WIDTH	F CABINET DEPTH	G OPENING WIDTH	H OPENING HEIGHT	I OPENING DEPTH
COMMON SIZE	39"	54"	25-5/16"	38-1/2"	47-1/2"	24-9/16"	43-3/4"	32-1/8"	24-5/16"

CATALINA wood cap



CATALINA WOOD CAP WITH WHITE MARBLE FACING



	A OUTSIDE LENGTH	B OUTSIDE WIDTH	C OPENING WIDTH	D OUTSIDE HEIGHT
ACCA_ _-ST	50-1/2"	34-1/2"	26"	7"

20802 KENSINGTON BLVD.
LAKEVILLE, MN 55044
800-817-8223

www.fireplaces.com

FIRESIDE
Furnishings™

A BRAND OF HEARTH & HOME TECHNOLOGIES™ INC.

All Fireside Furnishings hearths are UL listed for use with specified Hearth & Home Technologies products. For additional information, visit www.ul.com.



FSF-1006U-0107