

A photograph of a white marble fireplace with a fire burning inside. The mantel is decorated with a vase of berries and four candle holders. The background is a red wall with a wine rack. The Heatilator logo and tagline are in the top right corner.

**heatilator**<sup>®</sup>  
*The first name in fireplaces*

**Icon**

direct vent gas fireplace

# Icon

direct vent gas fireplace



**Cover:** IDV4833IT shown with Avalon cast surround, overmantel, hearth kit and Salem front.

**Left:** IDV6247IH shown with New Venetian Gold granite, Portfolio front, andirons and custom mantel.

## Enjoy a grand fire!

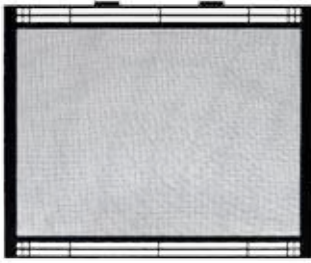
The Icon direct vent gas fireplace is the quintessential true masonry look in a direct vent fireplace. The large size and clean face makes a statement in any room and meets today's interior design trends. The direct vent system provides higher efficiencies and preserves indoor air quality. The Icon direct vent is a true masonry look coupled with the clean, convenience of gas. Finish your fireplace with one of two optional fronts in two finishes.

- The perfect fireplace choice for that custom home
- Can be installed in a flush hearth
- Finishing material can be brought up to opening to minimize visible steel
- Your choice of traditional or herringbone refractory standard
- Top direct vent allows installation along interior or exterior walls, below grade, or in corners
- Choose from two optional unique front faces to create just the right look
- Optional Heat Zones or Heat Ducts available to route some heat into other rooms of the home
- BTU/hour input:
  - IDV4833I: 33,500 - 48,000
  - IDV6247I: 40,000 - 59,000
- Certified for installation in bedrooms; direct vent models also certified for mobile homes
- Direct vent models preserve Indoor Air Quality (IAQ) and provide efficient zone heating
- UL tested and listed

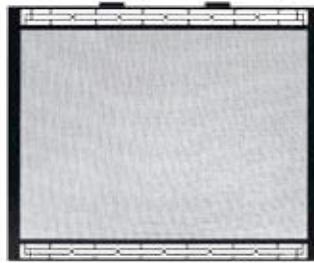


Our exclusive, state-of-the-art, IntelliFire ignition system reduces gas consumption and thermogenerator wear by providing a pilot flame only when needed. It also supplies a back-up battery system to run the fireplace during a power outage.

## Front & Door Options



Portfolio Decorative Front and Andirons



Salem Decorative Front and Andirons



Icon DV fronts are available in black or bronze finishes.



Black (BK)



Bronze (BZ)

## Refractory Options



Traditional



Herringbone

### Additional Options Not Pictured

- Gas conversion kits
- Heat zone and heat duct kits
- Mantels and surrounds

### Venting

- Direct vent: DVP pipe

## Control Options

CONTROL	WALL SWITCH OR REMOTE CONTROL	ON/OFF	AUTO BATTERY BACKUP	BATTERY STRENGTH INDICATOR	FAN SPEED	FLAME CONTROL	FLAME MODULATION	PILOT ACTIVATION	AUX FUNCTION	TEMPERATURE READOUT	THERMOSTAT MODE	TIMER MODE
WSK200-HTL	Wall	•	•	•	•			•				
WSK-MLT-HTL	Wall	•			•	•		•	•	•	•	
SMART-STAT-HTL	Remote	•								•	•	•

WSK200-HTL  
Wall Switch



WSK-MLT-HTL  
Wall Switch



Smart-Stat-HTL  
Remote Control



## Models Available

MODEL	BTU/HR INPUT (NG)	OPENING SIZE	VENTING	IGNITION SYSTEM	FUEL
IDV48331	33,500 - 48,000	33" x 32-1/2" (mm)	Direct Vent	IntelliFire	NG / LP
IDV62471	40,000 - 59,000	47" x 38" (mm)	Direct Vent	IntelliFire	NG / LP

### U.S. Efficiencies

**Steady State** - Since most homeowners use their fireplaces for an extended time while they are in the room, Steady State measures how efficiently your fireplace converts fuel to heat once it is warmed up and running in a "steady state".

**AFUE** - AFUE rating is more typically used with appliances, like your furnace, that continually cycle on and off to maintain a constant temperature.

### Canada Efficiencies

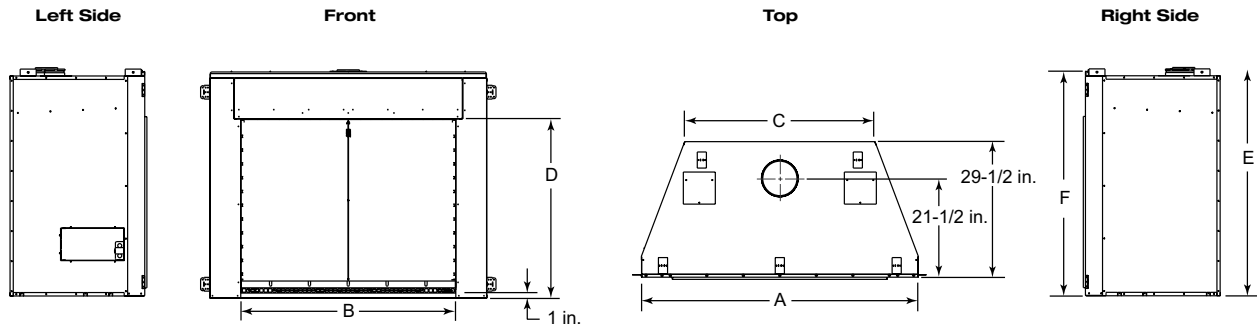
**EnerGuide (CSA P.4.1-02)** - EnerGuide is a rating used in Canada to measure annual fireplace efficiency.

RATING	IDV48331I	IDV48331IL	IDV62471	IDV62471L
Steady State	75%	76%	82%	82%
AFUE	48%	52%	59%	62%

RATING	IDV48331I	IDV48331IL	IDV62471	IDV62471L
EnerGuide (CSA P.4.1-02)	40%	42%	52%	54%

# Technical Specifications

MODEL	FRONT WIDTH (A)	BACK WIDTH (C)	HEIGHT	DEPTH	FRONT (B/D)
IDV4833I	46-1/2" (1181mm)	27-5/8" (702mm)	44-3/8" (1127mm)	29-1/2" (749mm)	33"w x 34-1/2"h
IDV6247I	60-1/2" (1537mm)	41-5/8" (1057mm)	48-7/8" (1241mm)	29-1/2" (749mm)	47"w x 39"h

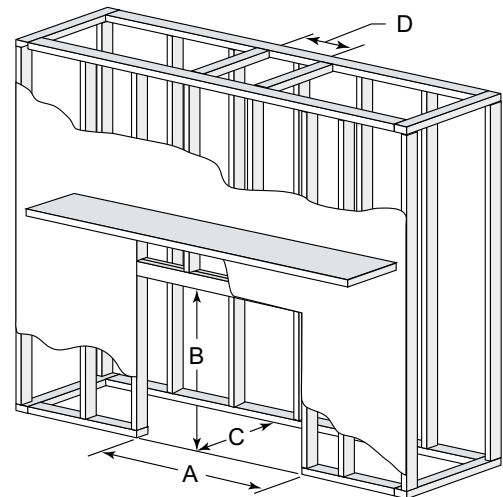
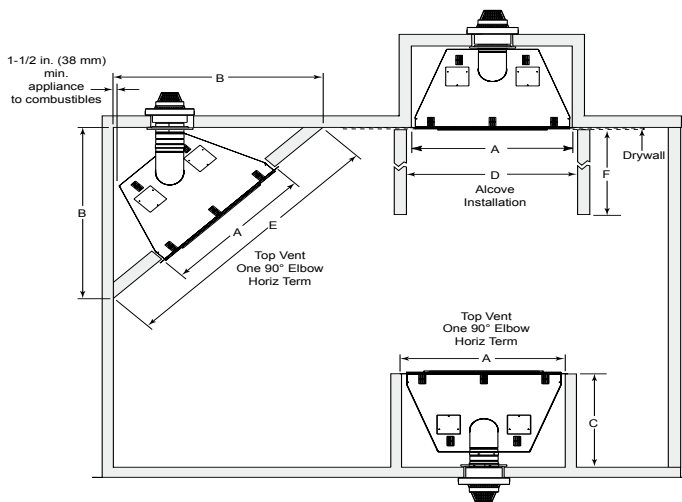


## Clearances

MODEL	A	B	C	D	E	F
IDV4833I	47-1/2" (1207mm)	64-1/4" (1632mm)	30-1/2" (775mm)	48-1/2" (1232mm)	90-7/8" (2309mm)	48" (1219mm)
IDV6247I	61-1/2" (1562mm)	74-1/8" (1883mm)	30-1/2" (775mm)	62-1/2" (1588mm)	104-7/8" (104-7/8mm)	48" (1219mm)

## Framing

MODEL	A ROUGH OPENING (WIDTH)	B ROUGH OPENING (HEIGHT)	C ROUGH OPENING (DEPTH)	D ROUGH OPENING (DVP PIPE)
IDV4833I	47-1/2" (1207mm)	45-1/2" (1156mm)	30-1/2" (775mm)	10" (254mm)
IDV6247I	61-1/2" (1562mm)	50" (1270mm)	30-1/2" (775mm)	10" (254mm)



The rough framing dimensions shown represent the distance from stud to stud only and do not take into consideration the addition of drywall. Please refer to installation instructions for complete specifications and drawings when installing this product. Go to [heatilator.com](http://heatilator.com) to download.

## Available From

**heatilator**  
The first name in fireplaces

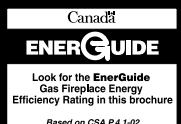
a brand of  
Hearth & Home Technologies Inc.®

1915 West Saunders Street  
Mt. Pleasant, Iowa 52641  
800-927-6841 | [heatilator.com](http://heatilator.com)

## Limited Lifetime Warranty\*

The strongest in the industry, Heatilator provides a limited lifetime warranty on gas-burning products of the most important aspects: firebox and heat exchanger.

The information provided in this literature is for planning purposes only and subject to change. Please consult the installation manual for actual installation. Actual product appearance may differ from product images. \*For full warranty details go to [heatilator.com](http://heatilator.com).



HTL-1028U-0810

