



heatilator®

The first name in fireplaces



Rave Series

Direct Vent Gas Fireplace

Rave Series



modern linear style
proven value

The Rave adds a modern linear style and proven value to any home or office. Contemporary design elements are highlighted by a long, mesmerizing ribbon of flame rising through attractive modern media. Explore unique placements and create a custom look with a choice of finishing options. With unsurpassed dependability and exceptional value, the Rave gas fireplace series is another way Heatilator has been keeping America warm since 1927.

Features

- 32" or 42" wide viewing area
- Moderate heat output—up to 25,250 BTUs
- Multiple interior finishing options
- Convex or flat front options
- Enhanced safety with the IntelliFire™ ignition system
- Optional heat management solution kits are available that redirect heat to another area of the home, including SmartWall™ that allows for a TV to be placed just 12" from the fireplace¹

Options

Fronts



Clean face trim available in black or bronze

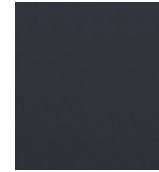


Illusion available in black only



Illusion top view

Front Finishes



Black



Bronze

Interiors



Fade-resistant reflective black glass interior panels



Multicolored ceramic fiber stones



Crystal glass



Black glass



LED accent lighting

Controls

IntelliFire Touch Touchscreen Remote Control

Features: on/off, flame height adjustment, fan speed, lights adjustment, thermostat mode, room temperature readout, child lock, timer mode, battery backup, cold climate mode, power vent, wall docking station.



IntelliFire Touch Wireless Wall Switch

Features: on/off, battery backup cold climate mode, battery strength indicator.



Optional LED Accent Lighting Control

LED accent lighting is set to desired color when installed. An optional LED light switch allows user to change the color at any time.



Technology

IntelliFire Touch Ignition System

IntelliFire Touch is the most advanced and intuitive IntelliFire system, making operating your fireplace simple, smart and safe. Select the wireless wall switch or touchscreen remote control for the solution that fits your life.

Direct Vent Technology

Direct Vent fireplaces remove 100% of combustion exhaust and odors outside of the home. These sealed fireplaces provide optimal heat, conserve energy and ensure clean, safe indoor air quality. To learn more, visit heatlator.com.

Heat Management Solutions

Bring the warmth from your fireplace to the rest of your home, up to 20 feet away. Heat management solutions can redirect up to 50% of the heat to another area, and reduce wall temperatures above the fireplace. Choose between:

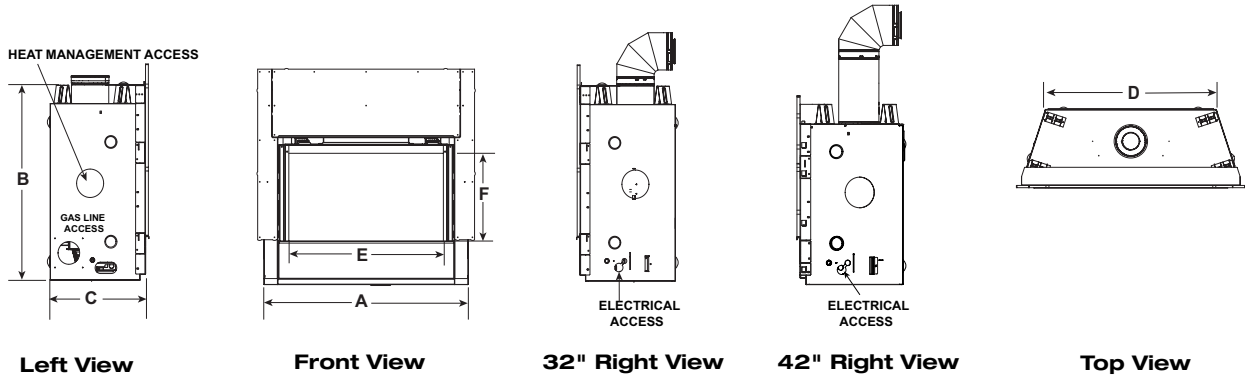
- **Heat-Zone® kit** to transfer heat where you want it
- **SmartWall kit** to allow installation of a TV 12" above the fireplace with no mantel required¹
- **Heat Duct kit** to transfer heat utilizing your existing furnace ductwork
- **Heat Out kit** to redirect heat from the fireplace outside the home
- **Optional Fan** to move heat directly into the room for added comfort

Cover: Rave 42 shown with clean face front in bronze, fade-resistant reflective black glass interior panels, ceramic fiber stones and LED accent lighting
Left: Rave 32 shown with Illusion front in black, fade-resistant reflective black glass interior panels, black glass media and LED accent lighting



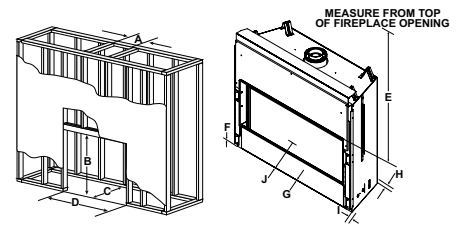
Specifications

MODEL	FRONT WIDTH (A)		HEIGHT (B)		DEPTH (C)		BACK WIDTH (D)		GLASS SIZE (E X F)	BTU/HR INPUT
	ACTUAL	FRAMING	ACTUAL	FRAMING	ACTUAL	FRAMING	ACTUAL	FRAMING		
Rave 32"	36" (914)	37" (940)	38-1/16" (967)	36-1/2" (927)	17-3/4" (451)	17-3/4" (451)	25-3/4" (654)	37" (940)	27-1/4" x 15-1/4" (692 x 387)	19,000 (NG) 16,500 (LP)
Rave 42"	48" (1219)	49" (1245)	33-11/16" (856)	32-3/4" (832)	17-3/4" (451)	17-3/4" (451)	37-3/4" (959)	49" (1016)	39" x 15-1/4" (991 x 387)	25,250 (NG) 23,500 (LP)



Framing Dimensions

MODEL	A	B	C	D	E	F	G	H	I	J
Rave 32"	8-5/8" (219)	36-1/2" (927)	17-3/4" (451)	37" (940)	31" (787)	0" (0)	0" (0)	1/2" (13)	1/2" (13)	36" (914)
Rave 42"	8-5/8" (219)	32-3/4" (832)	17-3/4" (451)	49" (1245)	31" (787)	0" (0)	0" (0)	1/2" (13)	1/2" (13)	36" (914)



Dimensions are in inches and millimeters. Product information is not complete and is subject to change without notice. Product installation must adhere strictly to instructions shipped with product. We recommend measuring individual units at installation. NOTE: Combustible material should not cover the face. Refer to installation manual for detailed specifications on installing this product. Hearth & Home Technologies® reserves the right to update units periodically. Actual product appearance, including flame, may differ from product images.

Efficiency Ratings

EnerGuide (CSA P.4.1-15) - Used in Canada and some U.S. states to measure annual fireplace efficiency.

RAVE3012I	RAVE4013I
51.1% (NG)	63.8% (NG)

Exceptional Value + Dependability

Why do contractors, architects and homebuyers trust Heatilator? Because we mix value with dependability. Established in 1927, Heatilator has built a long standing reputation for providing quality, dependable hearth products at unbeatable values. Today, Heatilator remains the most preferred, recommended and installed fireplace brand among building professionals.

Available from

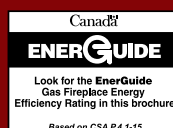
heatilator
The first name in fireplaces

800-927-6841 | heatilator.com

facebook.com/Heatilator

twitter.com/Heatilator

youtube.com/HeatilatorFireplaces



Limited Lifetime Warranty²

The strongest in the industry, Heatilator provides a limited lifetime warranty on gas-burning products of the most important aspects: firebox and heat exchanger.

The information provided in this literature is for planning purposes only and subject to change. Please consult the installation manual for actual installation. Actual product appearance may differ from product images.

- 1 The SmartWall fan will and must run continuously to move the heat away from the area above the fireplace. Also minimum guidelines must be followed:
- Minimum of 3" gap between the TV and wall at all angles
 - Minimum of 24" to side wall
 - Ambient room temperature 75° F or less
 - See TV manufacturer's recommendation for TV operating temperatures
 - Minimum 60" from the top of the fireplace opening to the ceiling

2 For full warranty details go to heatilator.com.

HTL-1064U-0618